

STX530 CASE IH 4WD TRACTOR (BTW Z6F100023 - Z6F105001)

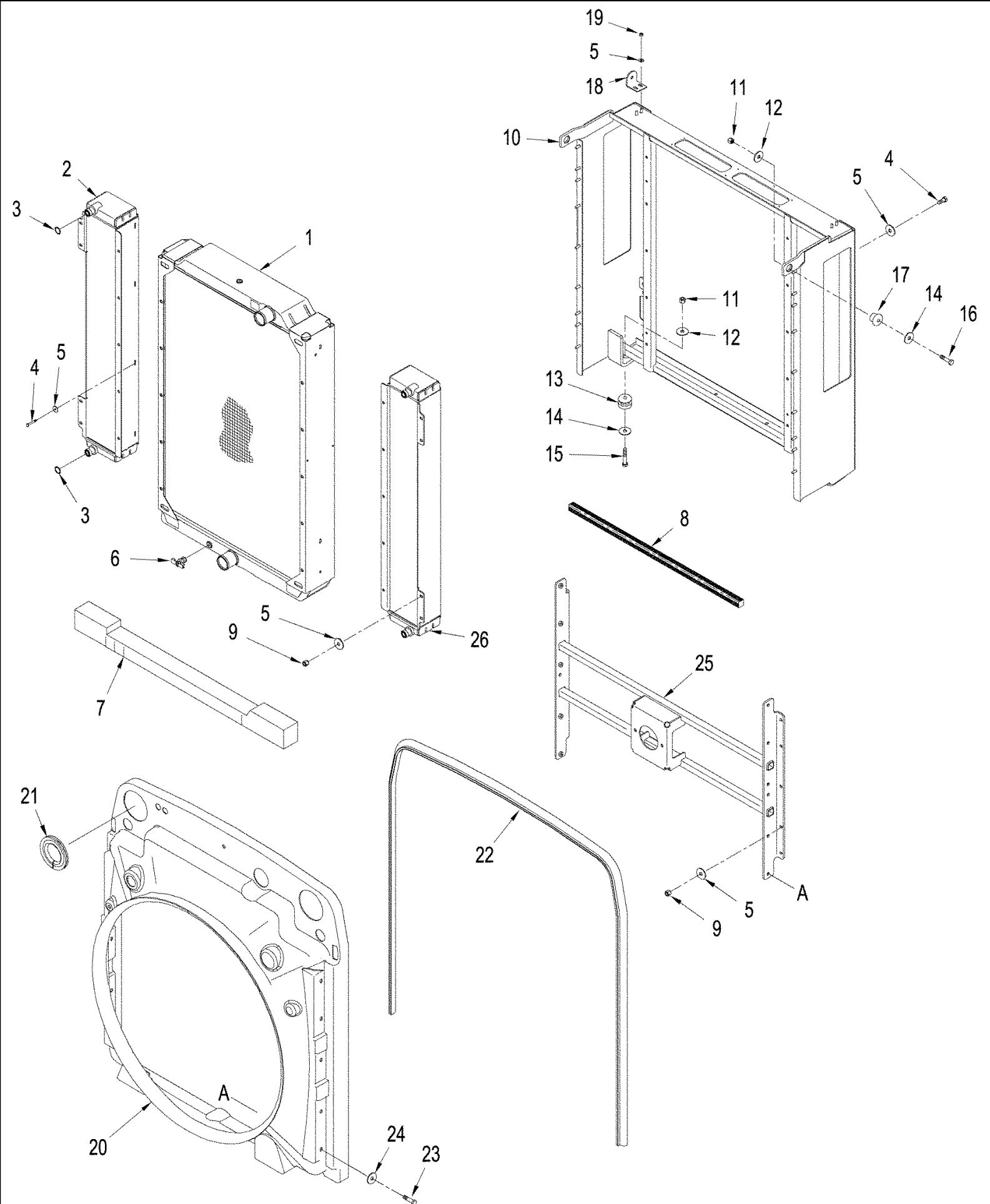
02-02 RADIATOR AND HOSES, STX & STEIGER 480 / 530

сылка	Номер детали	Кол-во	Описание
1	87434388	1	RADIATOR, See Figure: 02-04
2	217-292	1	FITTING, 90c, 1/4" Hose x 1/8" NPTF, Barbed,
3	87304009	1	HOSE, LARGE, Upper Radiator, Used on 480 Engine BSN 79245808 and 530 Engines BSN 79247640.
3	87682173	1	HOSE, Upper Radiator, Used on 480 Engines ASN 79245808 and 530 Engines ASN 79247640.
4	87527082	1	TUBE, Lower Radiator
5	87676660	1	HOSE, Connector, Lower Radiator, 175 mm (7")
6	L115548	6	CLAMP, Hose
7	87437994	1	HOSE, Connector, Lower Radiator, 125 mm (5")
8	700-166	1	CONNECTOR, HYD., 1 7/16"-12 ORFS x M27 x 1.5 ORB, Inc. 9 & 10
9	637-64236	1	O-RING, CI 6, 23.6MM ID x 2.9 Thk,
10	238-6021	1	O-RING, -021, 90 Duro, .926" ID x .070" Thk,
11	87303942	1	TUBE, Engine Coolant
12	87303947	1	HOSE, Engine Coolant
13	515-25254	2	CLAMP, 1", Insul, 1/2" Bolt,
14	413537A1	1	BRACKET, Mounting
15	627-8025	7	BOLT, Hex, M8 x 25, 10.9,
16	829-1408	8	NUT, M8, CI 10,
17	895-15008	24	WASHER, M8 x 20 x 1.6,
18	214-1420	2	CLAMP, HOSE, #20, 0.81/1.75 Type F Worm,
19	87438034	1	HOSE, Dearation Tank to Engine Vent, 845 mm (33-1/4")
20	214-1704	6	CLAMP, HOSE, #4, 0.25/0.62 Type M Worm,
21	293823A2	1	FITTING, , Used with 480 Machines - BSN Z7F106000 and 530 Machines - BSN Z7F105948.
22	217-281	2	FITTING, 45c, 1/4" Hose x 1/8" NPTF, Barbed,
23	A170241	1	CAP, RADIATOR, 103 kpa
24	87384580	1	TANK, Dearation
25	515-23127	4	CLAMP, 1/2", Insul, 3/8" Bolt,
26	515-25349	1	CLAMP, 1 3/8", Insul, 1/2" Bolt,
27	829-1410	3	NUT, M10, CI 10,
28	895-11010	6	WASHER, M10 x 20 x 2,
29	87521350	1	HOSE, Dearation Tank to Radiator, 1162 mm (45-3/4")
30	87438035	1	HOSE, Dearation Tank to Overflow Bottle
31	248-2146	1	GROMMET, 5/8" ID x 7/8" Groove Dia,
32	515-23143	3	CLAMP, 9/16", Insul, 3/8" Bolt,
33	627-10020	2	BOLT, Hex, M10 x 20, 10.9, Full Thd,
34	87324174	1	BOTTLE, Coolant Recovery Bottle
35	238903A1	1	CAP, FILLER, Coolant Recovery Bottle
36	87713484	1	HOSE, Overflow, Coolant Recovery Bottle, 660 mm (26")
37	895-11008	4	WASHER, M8 x 16 x 1.6,
38	832-10408	4	NUT, LOCK, M8 x 1.25, CI 8,
39	627-10025	2	BOLT, Hex, M10 x 25, 10.9, Full Thd,
40	895-15010	1	WASHER, M11 x 24 x 2,
41	627-12035	2	BOLT, Hex, M12 x 35, 10.9,
42	515-25143	1	CLAMP, 9/16", Insul, 1/2" Bolt,
43	896-11012	6	WASHER, M13.5 x 24.5 x 3, HT,

STX530 CASE IH 4WD TRACTOR (BTW Z6F100023 - Z6F105001)

02-02 RADIATOR AND HOSES, STX & STEIGER 480 / 530

сылка	Номер детали	Кол-во	Описание
44	87437846	1	BRACKET, Mounting, Coolant Recovery Bottle
45	363660R1	1	CLIP, Twist
46	87580873	1	STEM, 45, Used with 480 Machines - ASN Z7F106000 and 530 Machines - ASN Z7F105948

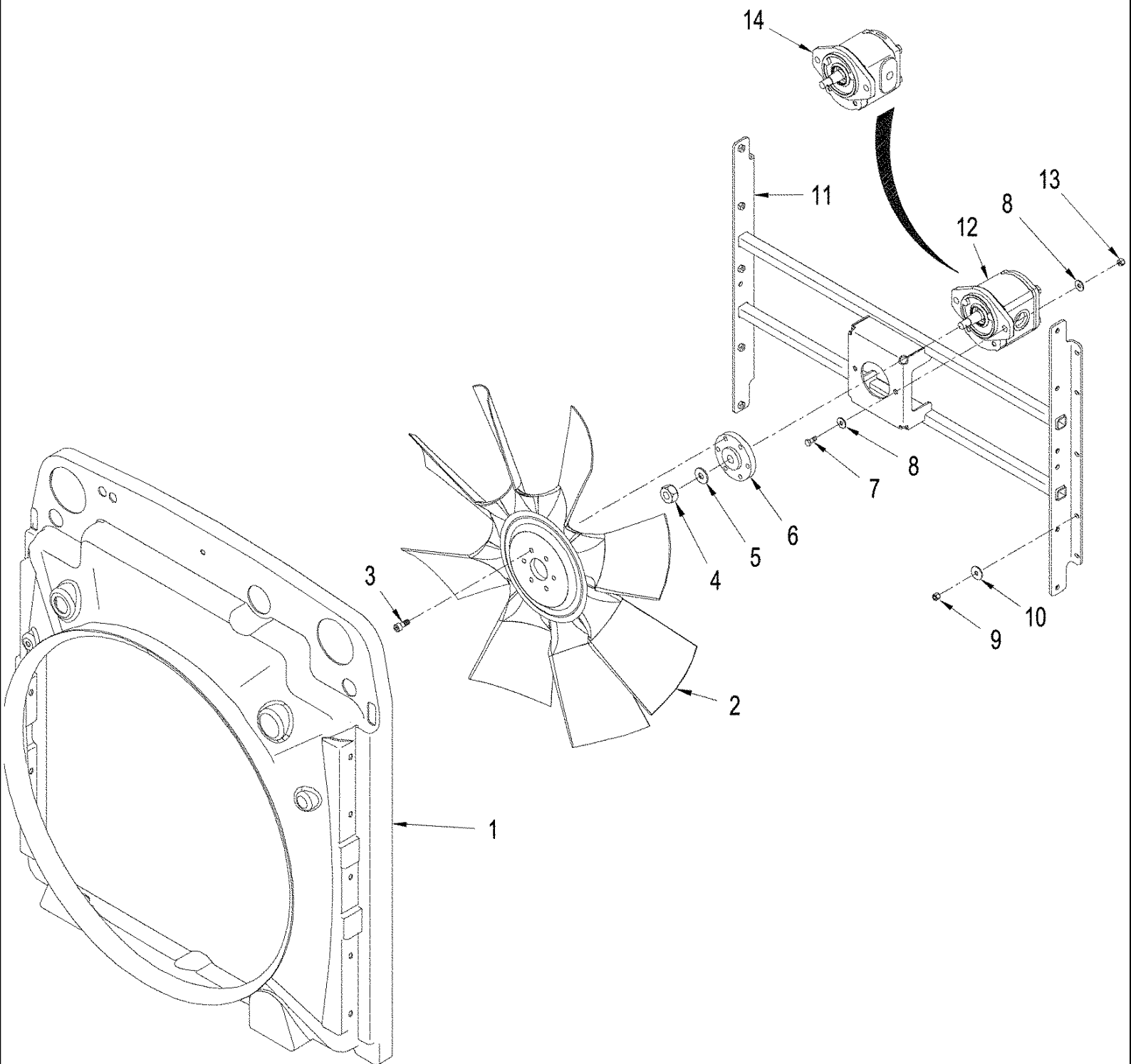


STX530 CASE IH 4WD TRACTOR (BTW Z6F100023 - Z6F105001)

02-04 RADIATOR MOUNTING AND FAN SHROUD, STX & STEIGER 480 / 530

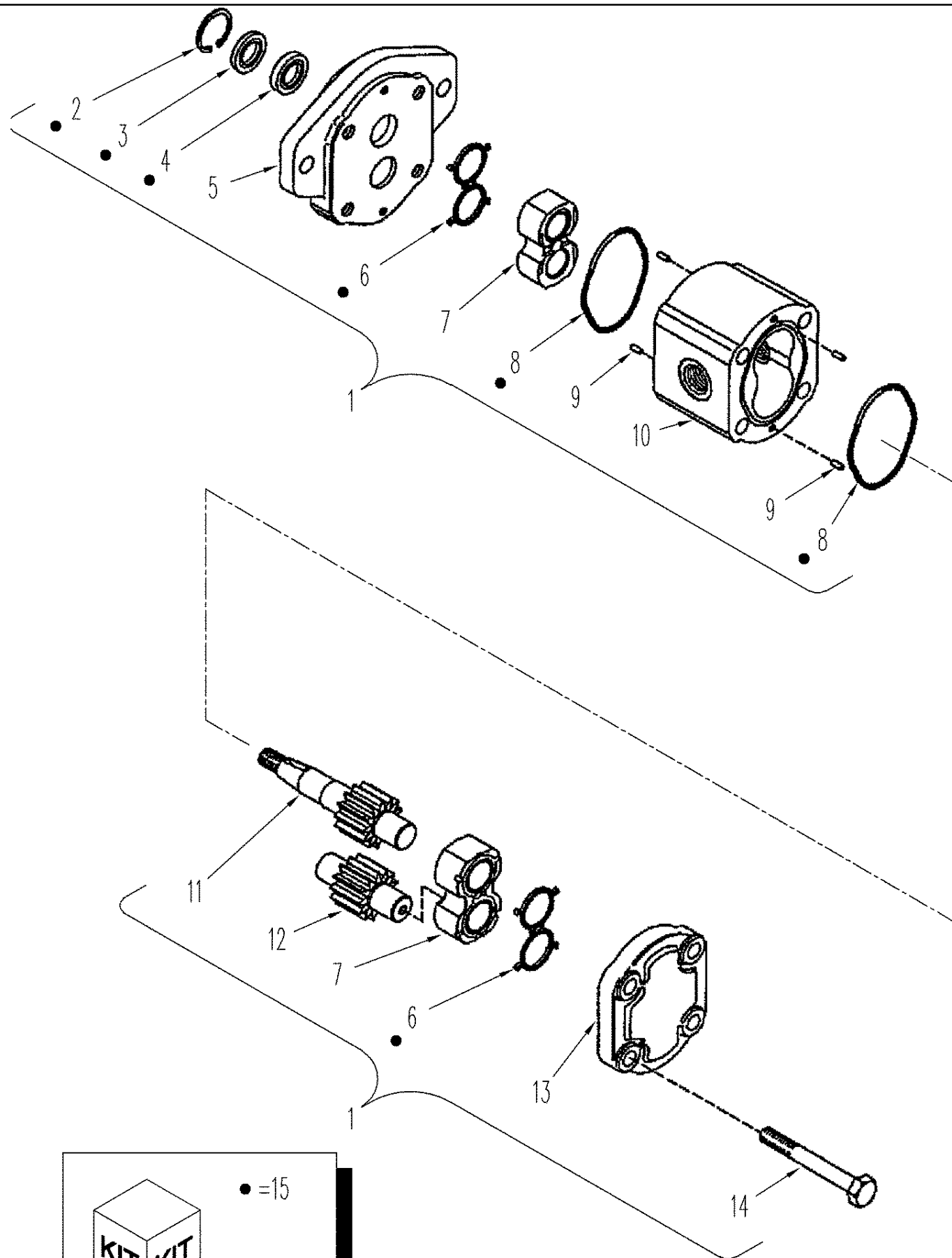
сылка	Номер детали	Кол-во	Описание
1	87434388	1	RADIATOR, Engine Coolant
2	87304000	1	COOLER, OIL,
3	238-6018	4	O-RING, -018, 90 Duro, .739" ID x .070" Thk,
4	627-8020	14	BOLT, Hex, M8 x 20, 10.9,
5	895-15008	46	WASHER, M8 x 20 x 1.6,
6	9672304	1	DRAINCOCK/TAP, SUPPLY,
7	87303991	1	SEAL, Lower Radiator
8	87438141	1	SEAL, Lower Shroud
9	832-10408	18	NUT, LOCK, M8 x 1.25, CI 8,
10	87355485	1	SUPPORT, Radiator
11	832-10412	4	NUT, LOCK, M12 x 1.75, CI 8,
12	435433A1	4	WASHER, 13.5 x 44.5 x 3mm
13	435465A1	2	MOUNT, RUBBER, Isolator
14	896-11012	4	WASHER, M13.5 x 24.5 x 3, HT,
15	827-12080	2	BOLT, Hex, M12 x 80, 10.9,
16	827-12060	2	BOLT, Hex, M12 x 60, 10.9,
17	L13142	2	BUSHING, Engine Mount
18	361250A1	2	BRACKET, Mount
19	829-1408	4	NUT, M8, CI 10,
20	87303558	1	SHROUD, 38"
21	328196A1	2	SEAL, Bulb, Circular Upper Shroud
22	87350512	1	SEAL, Upper Shroud, 3740 mm (147-1/4")
23	627-10025	10	BOLT, Hex, M10 x 25, 10.9, Full Thd,
24	895-15010	10	WASHER, M11 x 24 x 2,
25	87387463	1	BRACKET, Mounting, Hydraulic Fan
26	87389872	1	COOLER, OIL,

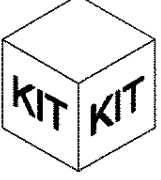
02-05 HYDRAULIC FAN DRIVE - MOUNTING



02-05 HYDRAULIC FAN DRIVE - MOUNTING

сылка	Номер детали	Кол-во	Описание
1	87303558	1	SHROUD, 38" Fan
2	87438155	1	FAN, 38"
3	863-10020	6	SCREW, Hex Soc Hd, M10 x 20, 12.9,
4	429-1110	1	NUT, 5/8"-18, G8,
5	495-11066	1	WASHER, 5/8", SAE,
6	87387504	1	FAN,
7	827-12045	2	BOLT, Hex, M12 x 45, 10.9, Full Thd,
8	896-11012	4	WASHER, M13.5 x 24.5 x 3, HT,
9	832-10408	10	NUT, LOCK, M8 x 1.25, CI 8,
10	895-15008	10	WASHER, M8 x 20 x 1.6,
11	87387463	1	BRACKET, Mounting
12	397444A1	1	MOTOR, HYDRAULIC, Fan Drive, 33cc, See Figure: 02-06, BSN Z6F100996
13	832-10412	2	NUT, LOCK, M12 x 1.75, CI 8,
14	87356899	1	MOTOR, HYDRAULIC, Fan Drive, 33cc, See Figure: 02-06 (01), ASN Z6F100996

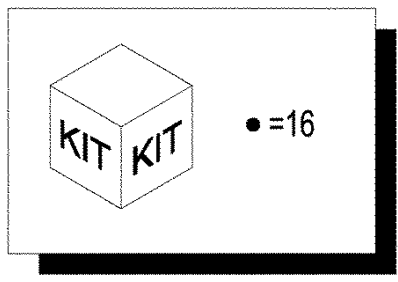
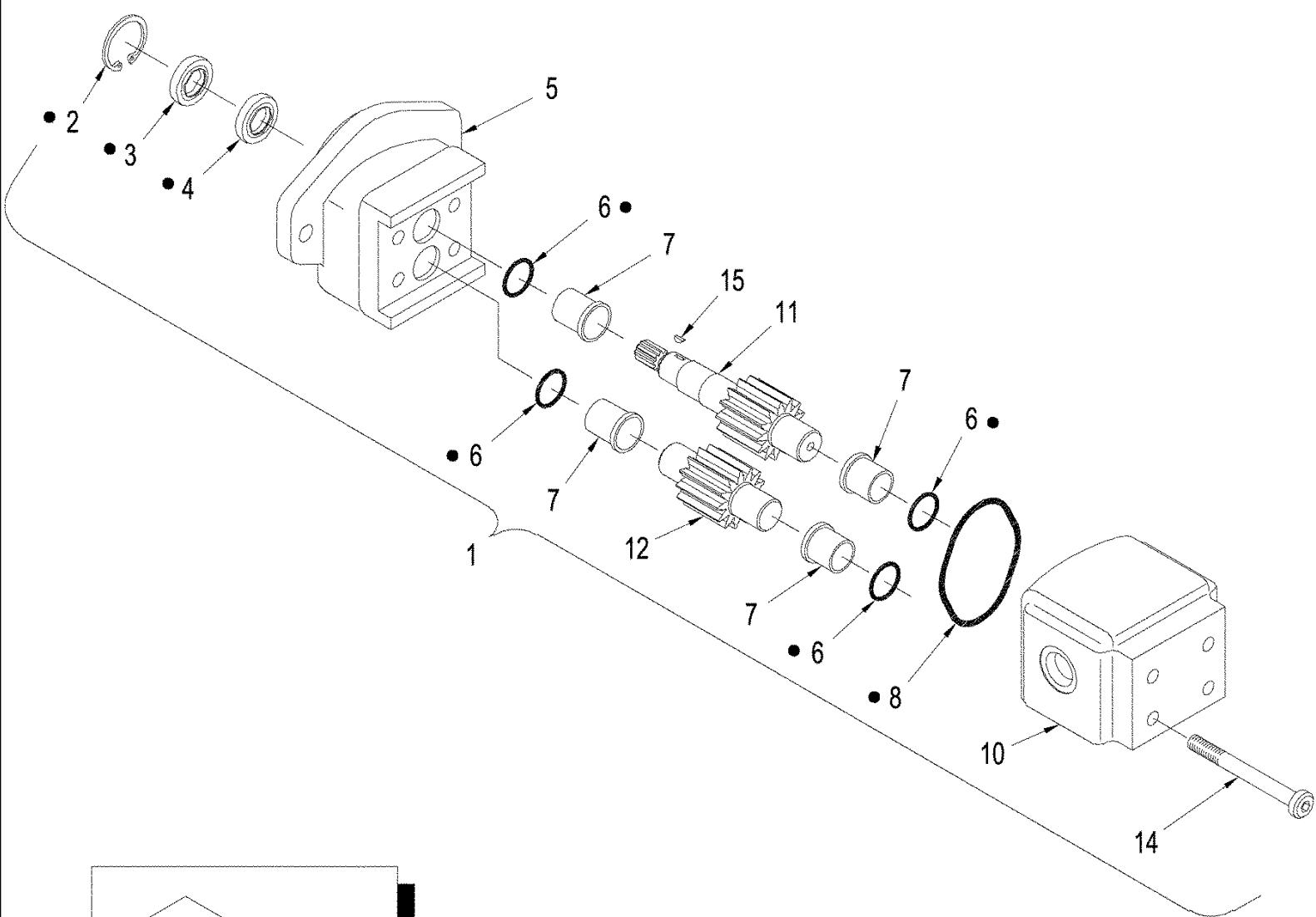


 • = 15

STX530 CASE IH 4WD TRACTOR (BTW Z6F100023 - Z6F105001)

02-06 HYDRAULIC FAN MOTOR ASSY, BSN Z6F100996

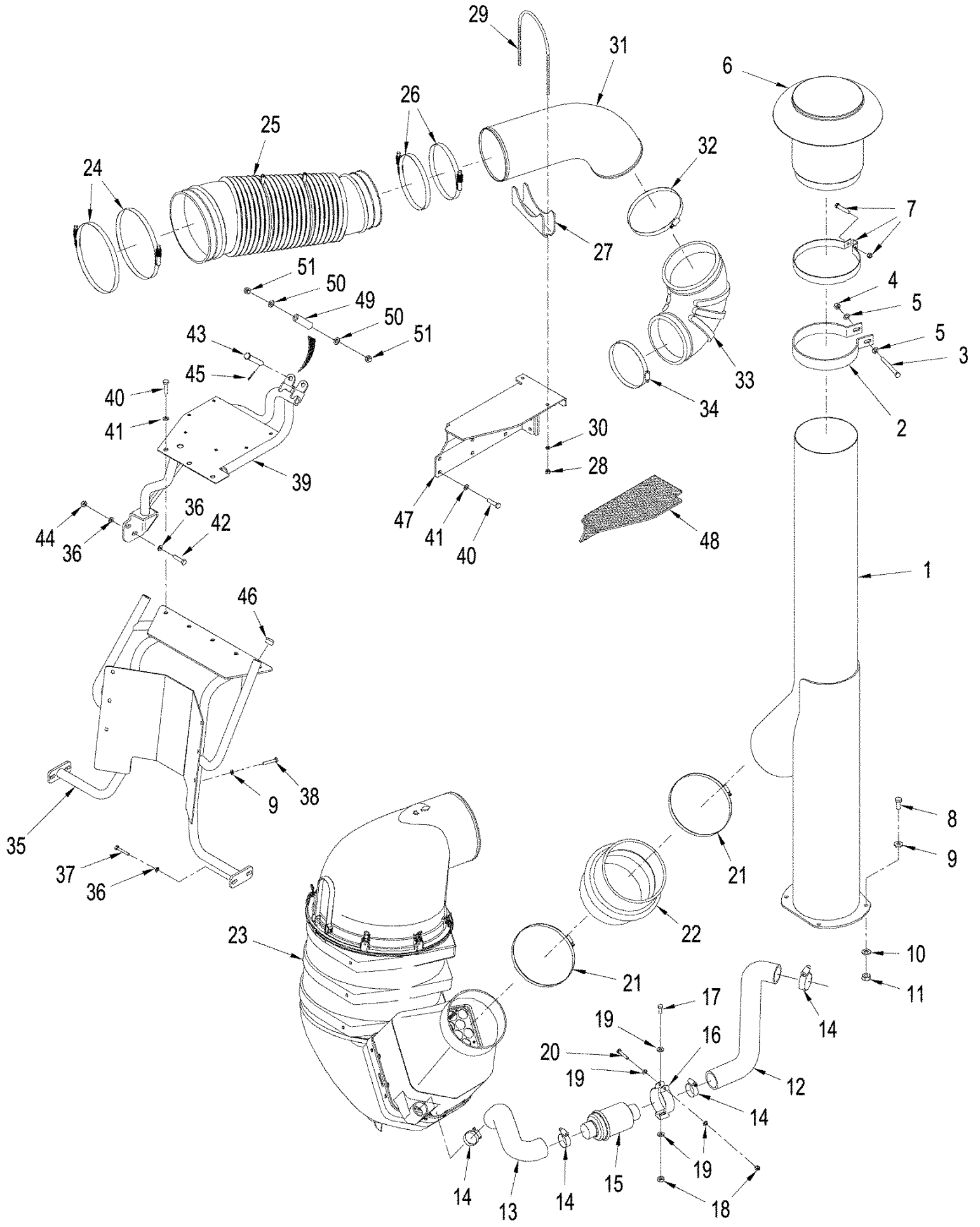
сылка	Номер детали	Кол-во	Описание
1	397444A1	1	MOTOR, HYDRAULIC, Hydraulic Fan Drive, Inc. 1 - 14
2	NSS	1	NOT SERVICED SEPARATELY, Ring, Snap
3	NSS	1	NOT SERVICED SEPARATELY, Seal, Dust
4	NSS	1	NOT SERVICED SEPARATELY, Seal, Shaft
5	NSS	1	NOT SERVICED SEPARATELY, Flange
6	NSS	2	NOT SERVICED SEPARATELY, Seal
7	NSS	2	NOT SERVICED SEPARATELY, Plate, Wear
8	NSS	2	NOT SERVICED SEPARATELY, O-Ring
9	NSS	4	NOT SERVICED SEPARATELY, Pin, Dowel
10	NSS	1	NOT SERVICED SEPARATELY, Housing, Gear, 28 cc
11	NSS	1	NOT SERVICED SEPARATELY, Shaft, Drive Gear
12	NSS	1	NOT SERVICED SEPARATELY, Shaft, Idler Gear
13	NSS	1	NOT SERVICED SEPARATELY, Cover, End
14	NSS	4	NOT SERVICED SEPARATELY, Bolt
15	435698A1	1	KIT, Seal



STX530 CASE IH 4WD TRACTOR (BTW Z6F100023 - Z6F105001)

02-06(01) HYDRAULIC FAN MOTOR ASSY, ASN Z6F100996

сылка	Номер детали	Кол-во	Описание
1	87356899	1	MOTOR, HYDRAULIC, Inc. 1 - 15
2	NSS	1	NOT SERVICED SEPARATELY, Ring, Snap
3	NSS	1	NOT SERVICED SEPARATELY, Seal, Dust
4	NSS	1	NOT SERVICED SEPARATELY, Seal, Shaft
5	NSS	1	NOT SERVICED SEPARATELY, Flange
6	NSS	2	NOT SERVICED SEPARATELY, Seal
7	NSS	4	NOT SERVICED SEPARATELY, Bushing
8	NSS	1	NOT SERVICED SEPARATELY, O-Ring
9	NSS	4	NOT SERVICED SEPARATELY, Washer
10	NSS	1	NOT SERVICED SEPARATELY, Housing, Gear
11	NSS	1	NOT SERVICED SEPARATELY, Shaft, Drive Gear
12	NSS	1	NOT SERVICED SEPARATELY, Shaft, Idler Gear
13	NSS	4	NOT SERVICED SEPARATELY, Nut
14	NSS	4	NOT SERVICED SEPARATELY, Bolt
15	NSS	1	NOT SERVICED SEPARATELY, Key, Woodruff
16	435698A1	1	KIT, Seal



STX530 CASE IH 4WD TRACTOR (BTW Z6F100023 - Z6F105001)

02-08 AIR INDUCTION SYSTEM, STX & STEIGER 480 / 530

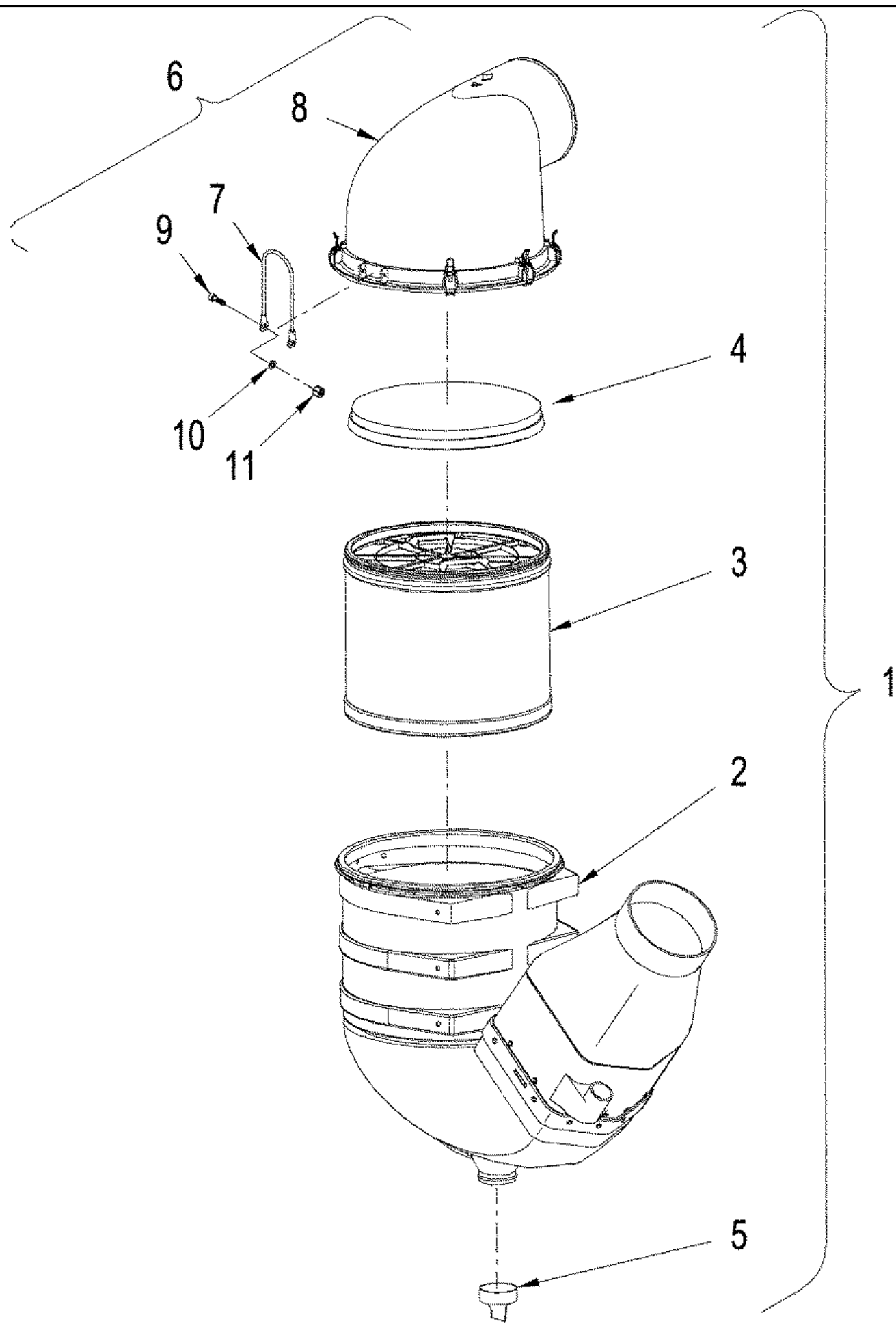
сылка	Номер детали	Кол-во	Описание
1	87673446	1	TUBE, AIR INTAKE, , QUADTRAC Tractor
1	87673448	1	TUBE, AIR INTAKE, , Wheel Tractor
2	87644727	1	CLAMP, Muffler
3	827-10100	1	BOLT, Hex, M10 x 100, 10.9,
4	832-10410	1	NUT, LOCK, M10 x 1.5, CI 8,
5	895-11010	1	WASHER, M10 x 20 x 2,
6	87443716	1	PRESCREENER ASSY., Air Intake, Inc. 7
7	87443800	1	CLAMP, COLLAR, Intake Pre-Screen
8	827-10040	4	BOLT, Hex, M10 x 40, 10.9, Full Thd,
9	896-11010	10	WASHER, M10 x 21.5 x 2.5, HT,
10	896-15010	4	WASHER, M10 x 24.5 x 3, HT,
11	832-46410	4	NUT, LOCK, M10 x 1.5, CI 8,
12	87630063	1	HOSE, Aspirator, Check Valve to Muffler
13	87304275	1	HOSE, Aspirator, Air Cleaner to Check Valve, QUADTRAC Tractor
13	87304243	1	HOSE, Aspirator, Air Cleaner to Check Valve, Wheel Tractor
14	214-3240	4	CLAMP, HOSE, 1.75/2.625 HD Worm, W/liner,
15	87443913	1	VALVE, Check
16	87300581	1	CLAMP, Check Valve
17	627-8030	1	BOLT, Hex, M8 x 30, 10.9,
18	832-10408	4	NUT, LOCK, M8 x 1.25, CI 8,
19	895-11008	3	WASHER, M8 x 16 x 1.6,
20	827-8045	1	BOLT, Hex, M8 x 45, 10.9,
21	214-32144	2	CLAMP, HOSE, 8.25/9.125 HD Worm, W/liner,
22	87443802	1	HOSE, Connector, 203mm (8")
23	87443705	1	AIR CLEANER, See Figure: 02-09
24	87443916	2	CLAMP, SPECIAL,
25	87443148	1	DUCT, AIR, Flexible Intake
26	87437258	2	CLAMP,
27	87309822	1	BRACKET, SUPPORTING, Intake
28	231-1445	2	NUT, LOCK, 5/16"-18, GB,
29	87310919	1	U-BOLT,
30	495-11034	2	WASHER, 5/16", SAE,
31	87690960	1	TUBE, AIR INTAKE,
32	214-32128	1	CLAMP, HOSE, 7.25/8.125 HD Worm, W/liner,
33	87317551	1	TUBE, AIR INTAKE, , STX530, STEIGER 530
33	87327365	1	TUBE, AIR INTAKE, , STEIGER 480, STX480
34	214-32112	1	CLAMP, HOSE, 6.25/7.125 HD Worm, W/liner,
35	87521399	1	SUPPORT, Rear Hood
36	896-11012	4	WASHER, M13.5 x 24.5 x 3, HT,
37	627-12040	4	BOLT, Hex, M12 x 40, 10.9, Full Thd,
38	627-10020	6	BOLT, Hex, M10 x 20, 10.9, Full Thd,
39	87445268	1	TUBE, SUPPORT, Hood, BSN Z7F105942
39	87589705	1	SUPPORT, Hood, ASN Z7F105942
40	627-12030	3	BOLT, Hex, M12 x 30, 10.9,
41	896-15012	8	WASHER, M12 x 28.5 x 4, HT,

STX530 CASE IH 4WD TRACTOR (BTW Z6F100023 - Z6F105001)

02-08 AIR INDUCTION SYSTEM, STX & STEIGER 480 / 530

сылка	Номер детали	Кол-во	Описание
42	627-12040	8	BOLT, Hex, M12 x 40, 10.9, Full Thd,
43	728-16100	1	PIN, CLEVIS, M16 x 100, , BSN Z7F105942
44	829-1412	3	NUT, M12, CI 10,
45	733-4032	1	PIN, SPLIT (COTTER), M4 x 32, , BSN Z7F105942
46	353-408	2	PLUG, Dome, .750" hole, Nylon,
47	87309821	1	BRACKET, Air Intake Tube, BSN Z7F105942
47	87580202	1	SUPPORT, Air Intake Tube, ASN Z7F105942
48	87310874	1	INSULATION, FOAM, Air Intake, ASN Z7F105942
49	827-10120	1	BOLT, Hex, M10 x 120, 10.9, , ASN Z7F105942
50	87550203	2	BUSHING, GUIDE, Latch Pin, ASN Z7F105942
51	829-1310	2	NUT, M10, CI 10, , ASN Z7F105942

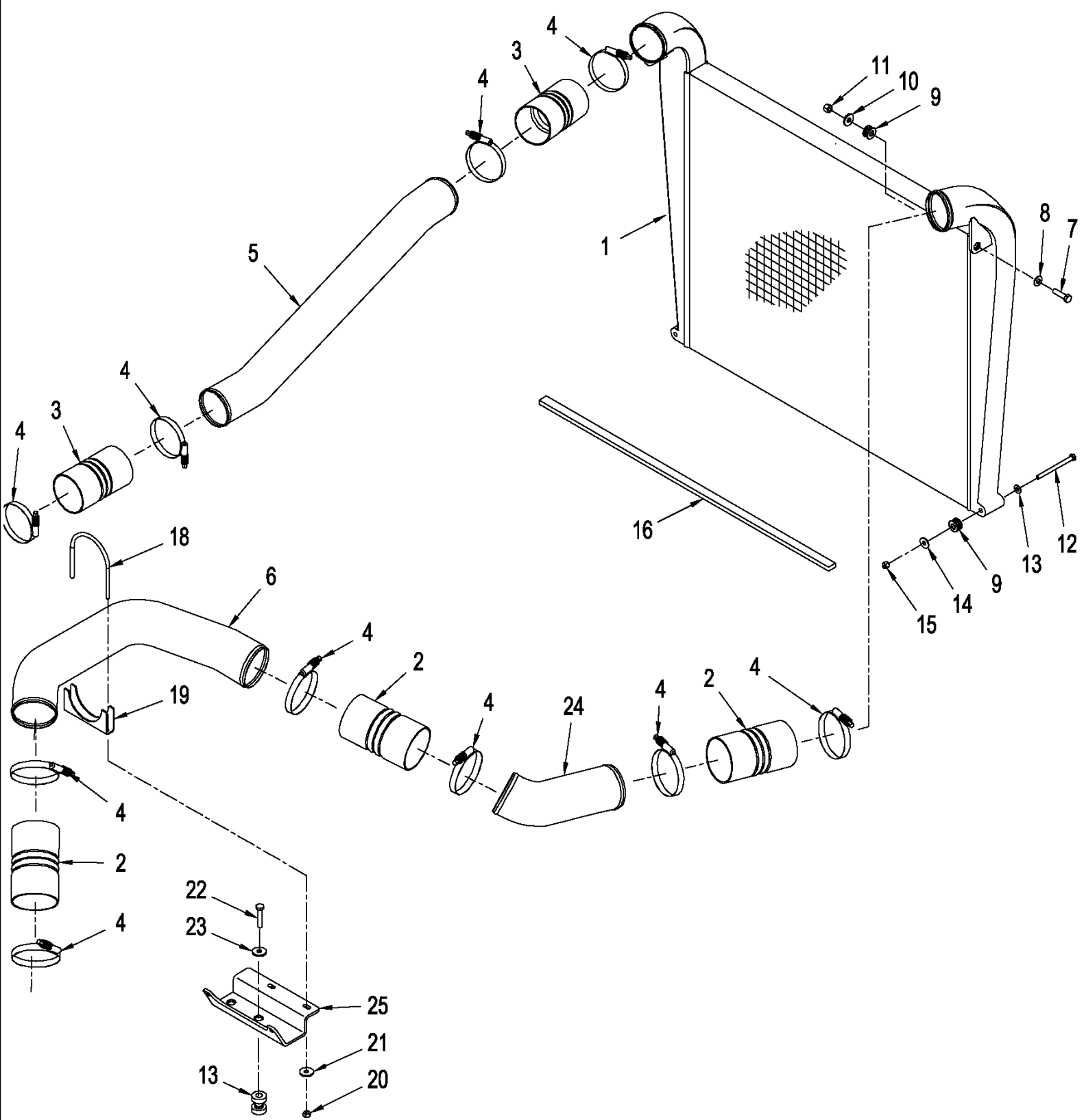
02-09 AIR CLEANER ASSEMBLY



STX530 CASE IH 4WD TRACTOR (BTW Z6F100023 - Z6F105001)

02-09 AIR CLEANER ASSEMBLY

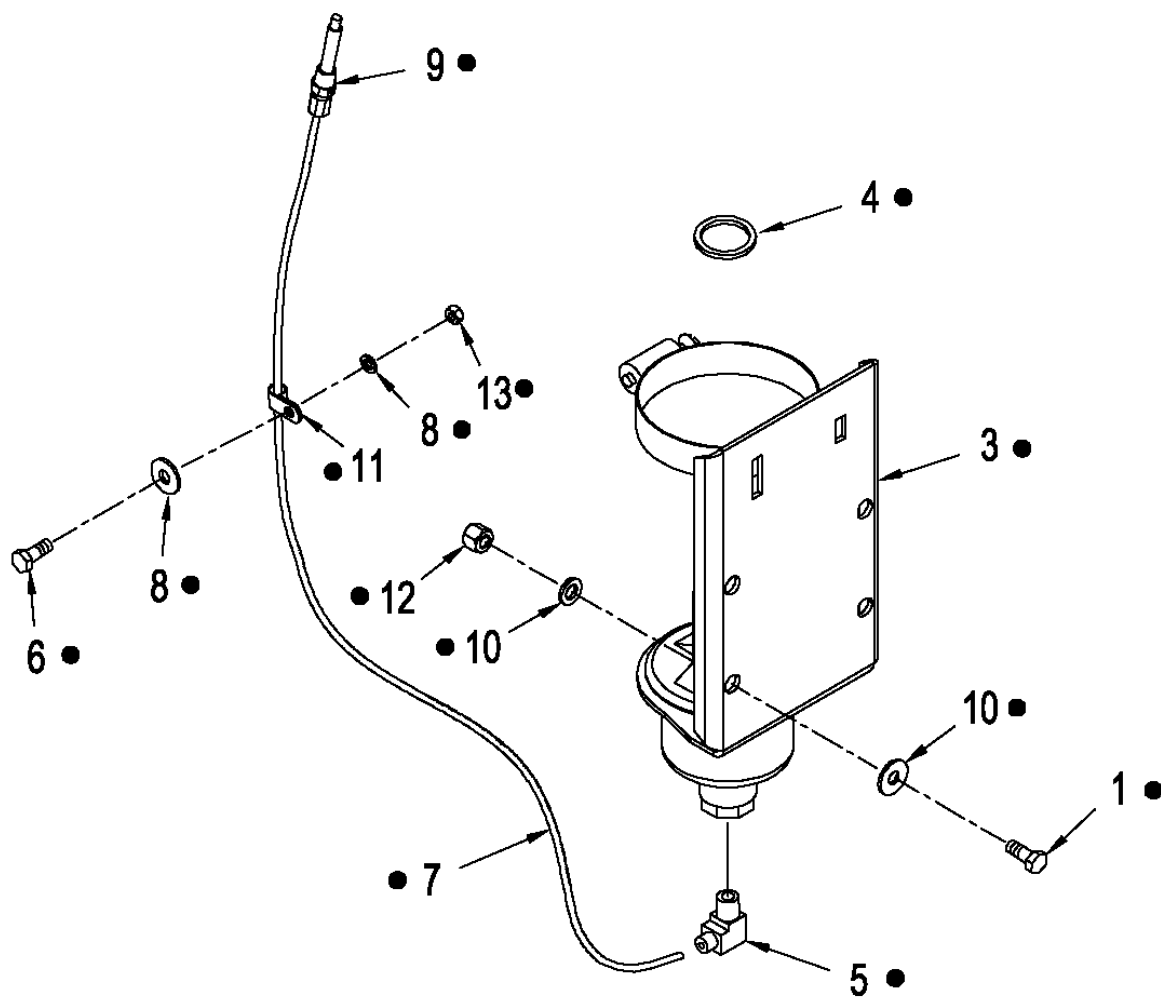
сылка	Номер детали	Кол-во	Описание
1	87444727	1	AIR CLEANER, Inc. 2 thru 6, STX380 / 430, STEIGER 380 / 430
1	87443705	1	AIR CLEANER, Inc. 2 thru 6, STX480 / 530, STEIGER 480 / 530
2	87367918	1	PRE-CLEANER ASSY, AIR, , STEIGER 380 / 430, STX380 / 430
2	87368008	1	PRE-CLEANER ASSY, AIR, , STX480 / 530, STEIGER 480 / 530
3	87443711	1	FILTER, AIR, Primary Element
4	87443714	1	FILTER, AIR, Safety Element
5	S113982	1	CAP, Valve, Rubber
6	87443715	1	COVER, FILTER, Air Cleaner, Inc. 7 - 11
7	87389246	1	HANDLE,
8	87341276	1	COVER, TOP,
9	627-6016	2	BOLT, Hex, M6 x 16, 10.9,
10	892-11006	2	WASHER, LOCK, M6,
11	829-1406	2	NUT, M6, CI 10,



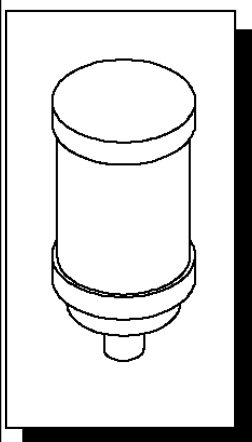
STX530 CASE IH 4WD TRACTOR (BTW Z6F100023 - Z6F105001)

02-11 AIR COOLER MOUNTING, STX & STEIGER 480 / 530

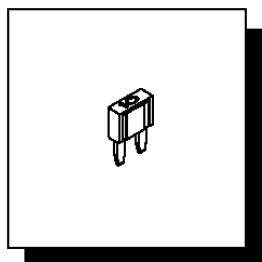
сылка	Номер детали	Кол-во	Описание
1	87434343	1	AFTERCOOLER, Charged Air
2	251400A1	1	BELLOWS, Tube, RH
3	87306140	1	BELLOWS, Tube, LH
4	87599617	10	CLAMP, SPECIAL, T-Bolt Constant Torque
5	87434347	1	TUBE, AIR INTAKE, Charged Air
6	87364150	1	TUBE, Charged Air
7	827-10040	2	BOLT, Hex, M10 x 40, 10.9, Full Thd,
8	496-41041	2	WASHER, 13/32" x 1 1/8" x .134",
9	434177A1	1	ISOLATOR,
10	895-15010	1	WASHER, M11 x 24 x 2,
11	832-10410	2	NUT, LOCK, M10 x 1.5, CI 8,
12	827-8110	2	BOLT, Hex, M8 x 110, 10.9,
13	87447450	2	ISOLATOR, Steering
14	496-41034	2	WASHER, .344" x 1" x .098", HDN,
15	832-10408	2	NUT, LOCK, M8 x 1.25, CI 8,
16	87438150	1	SEAL, Foam
17	87343564	1	BRACKET, Mounting
18	87343552	1	U-BOLT,
19	87343557	1	CLAMP,
20	425-106	2	NUT, 3/8"-16, G5,
21	495-51041	2	WASHER, 3/8",
22	827-10050	2	BOLT, Hex, M10 x 50, 10.9,
23	496-81028	2	WASHER, 13/32" x 1 1/4" x .134", HDN,
24	87365421	1	TUBE, Charged Air
25	87364149	1	BRACKET, Support, Charged Air Tube
26	895-15008	2	WASHER, M8 x 20 x 1.6,



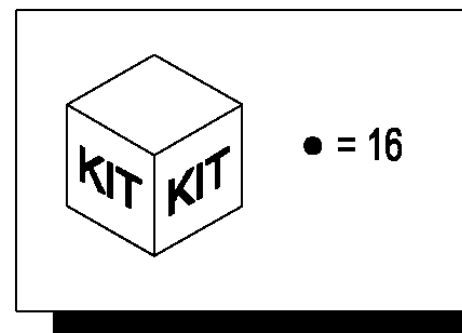
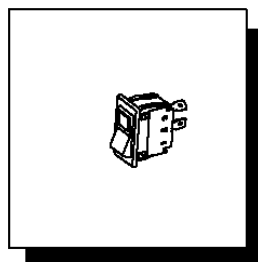
15



14



2

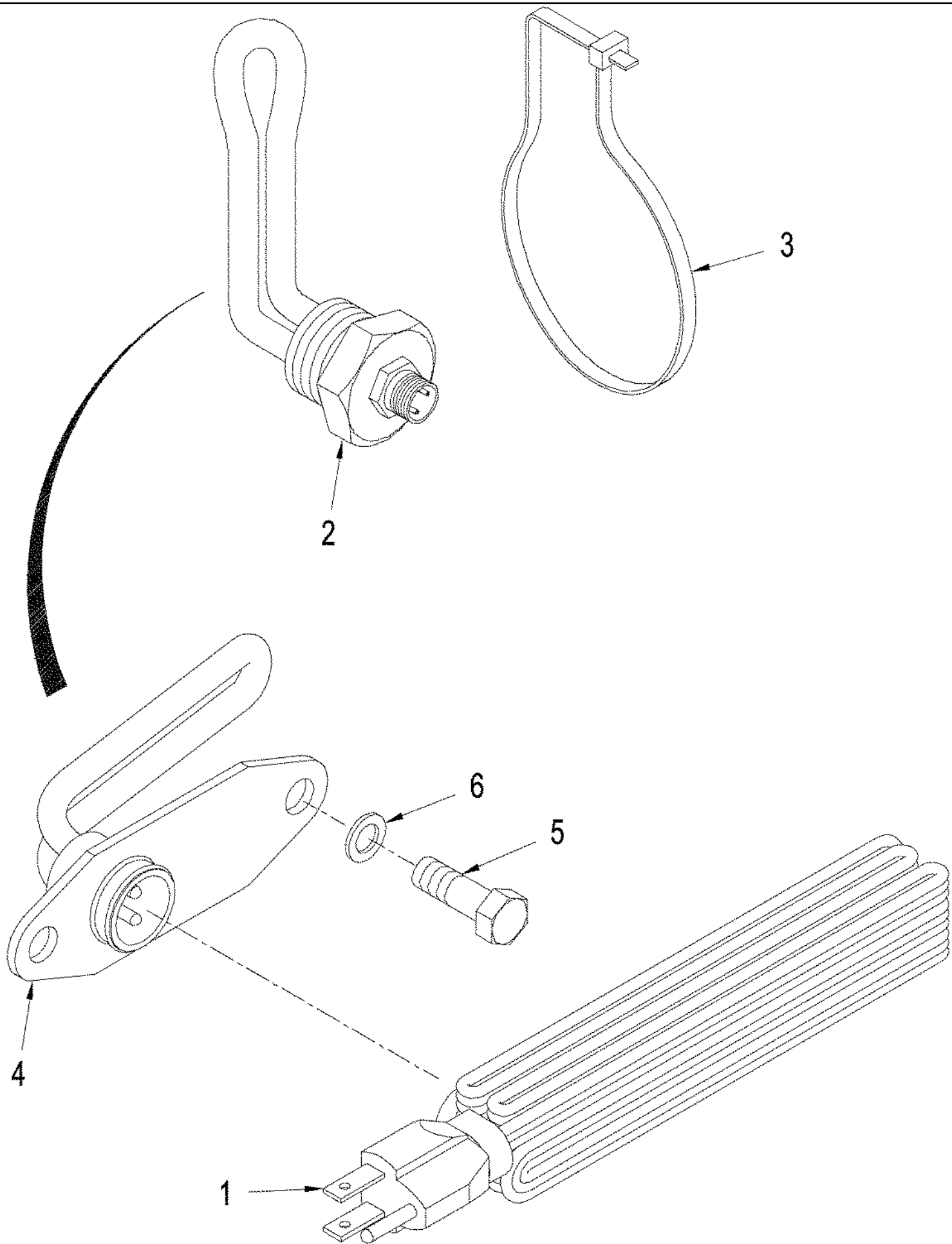


STX530 CASE IH 4WD TRACTOR (BTW Z6F100023 - Z6F105001)

02-12 ETHER START SYSTEM

сылка	Номер детали	Кол-во	Описание
1	627-6020	4	BOLT, Hex, M6 x 20, 10.9,
2	229364A1	1	SWITCH, Rocker, Ether Start
	392355A1	1	VALVE, SOLENOID, Electrical, Inc. 3 - 5
3	NSS	1	NOT SERVICED SEPARATELY, Valve, Control
4	392377A1	1	GASKET, Ether Start
5	222-615	1	ELBOW, 90є, 5/16"-24 x 1/8" NPT, Comp,
6	627-8020	1	BOLT, Hex, M8 x 20, 10.9,
7	87335472	1	HOSE, Ether
8	895-11008	2	WASHER, M8 x 16 x 1.6,
9	339866A2	1	NOZZLE INJECTION, Atomizer
10	895-11006	8	WASHER, M6,
11	515-2332	1	CLAMP, 1/4", Insul, 3/8" Bolt,
12	829-1406	4	NUT, M6, CI 10,
13	829-1408	1	NUT, M8, CI 10,
14	121412A1	1	FUSE, 10 Amp
15	310992A1	1	FLUID, START SPRAY, Ether, Order from Ship Direct
16	719565006	1	KIT, FIP, Ether Start, Inc. 1 - 4

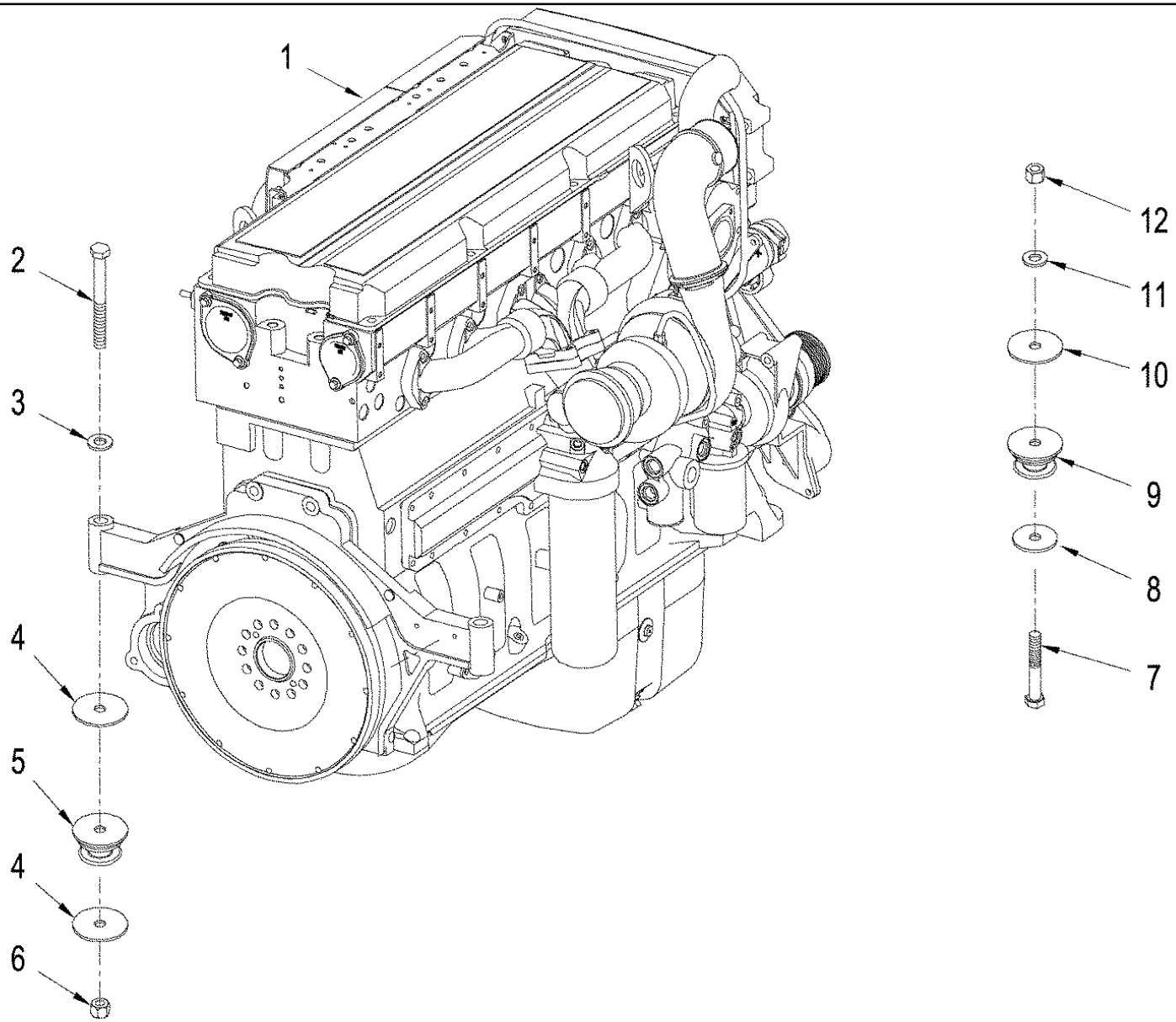
02-13 BLOCK HEATER



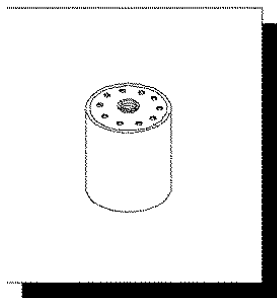
STX530 CASE IH 4WD TRACTOR (BTW Z6F100023 - Z6F105001)

02-13 BLOCK HEATER

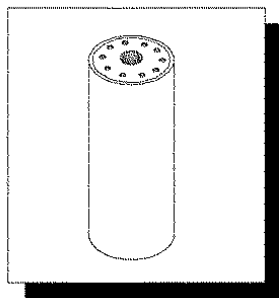
сылка	Номер детали	Кол-во	Описание
1	J905114	1	CABLE, ELECTRIC, , STX380 / 430, STEIGER 380 / 430
1	196466A1	1	CABLE, ELECTRIC, 1829 mm (72 in.), STX480 / 530, STEIGER 480 / 530
2	87413582	1	HEATER, 120V, STEIGER 380 / 430, STX380 / 430
3	19-135	1	STRAP, CABLE,
4	338862A1	1	HEATER, 120V, STX480 / 530, STEIGER 480 / 530, For Block Heater Gasket Order P/n 3688557 from Cummins.
5	627-10020	2	BOLT, Hex, M10 x 20, 10.9, Full Thd, , STEIGER 480 / 530, STX480 / 530
6	895-18010	2	WASHER, M10 x 18 x 1.6, , STX480 / 530, STEIGER 480 / 530



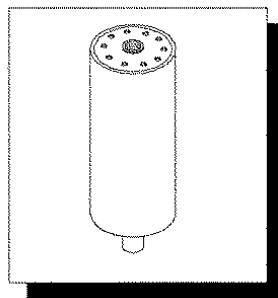
14



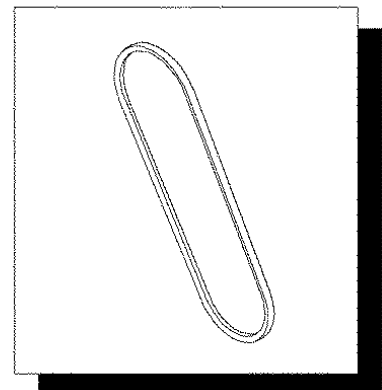
13



15



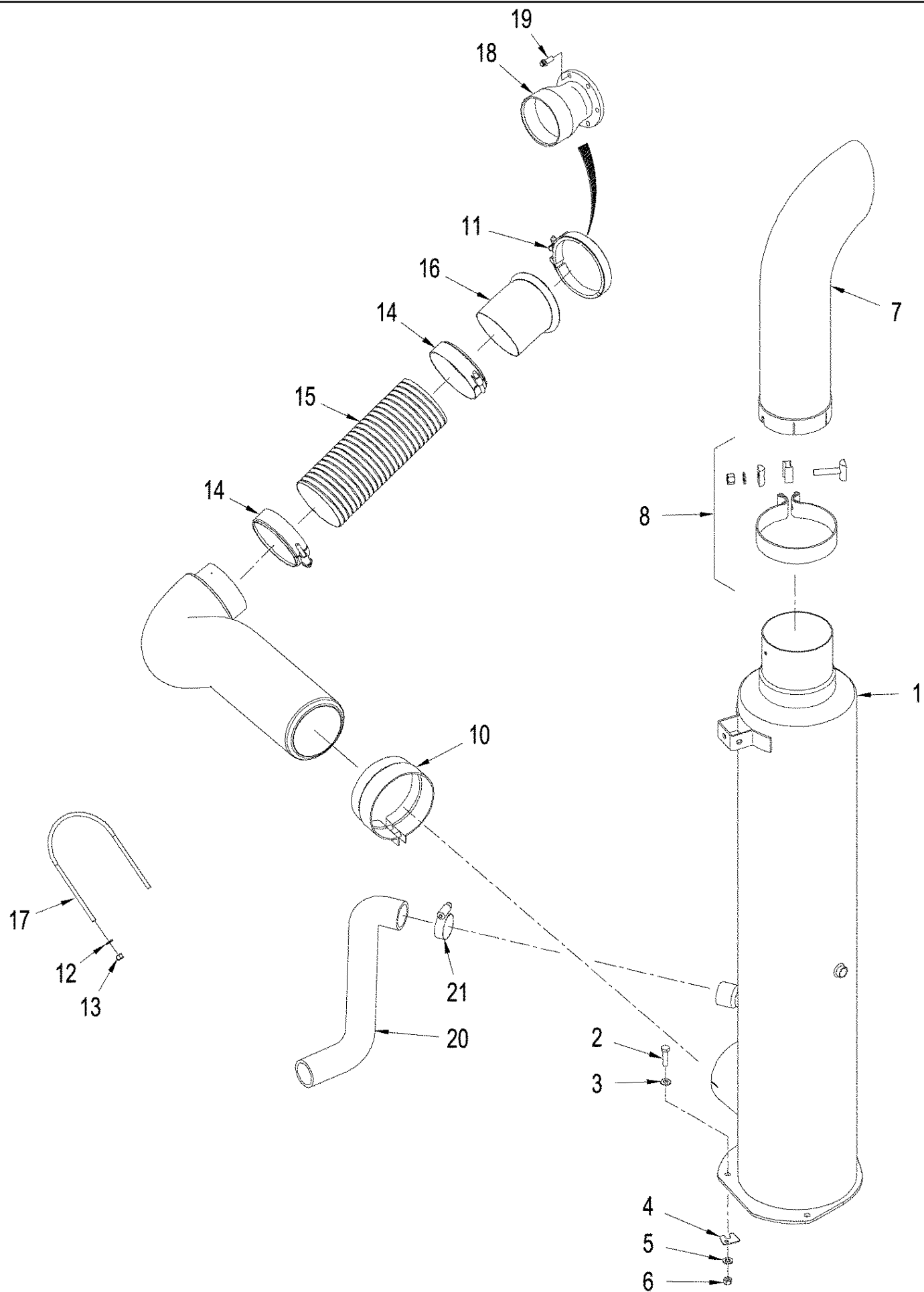
16



STX530 CASE IH 4WD TRACTOR (BTW Z6F100023 - Z6F105001)

02-15 ENGINE MOUNTING AND ATTACHING PARTS, STX & STEIGER 480 / 530

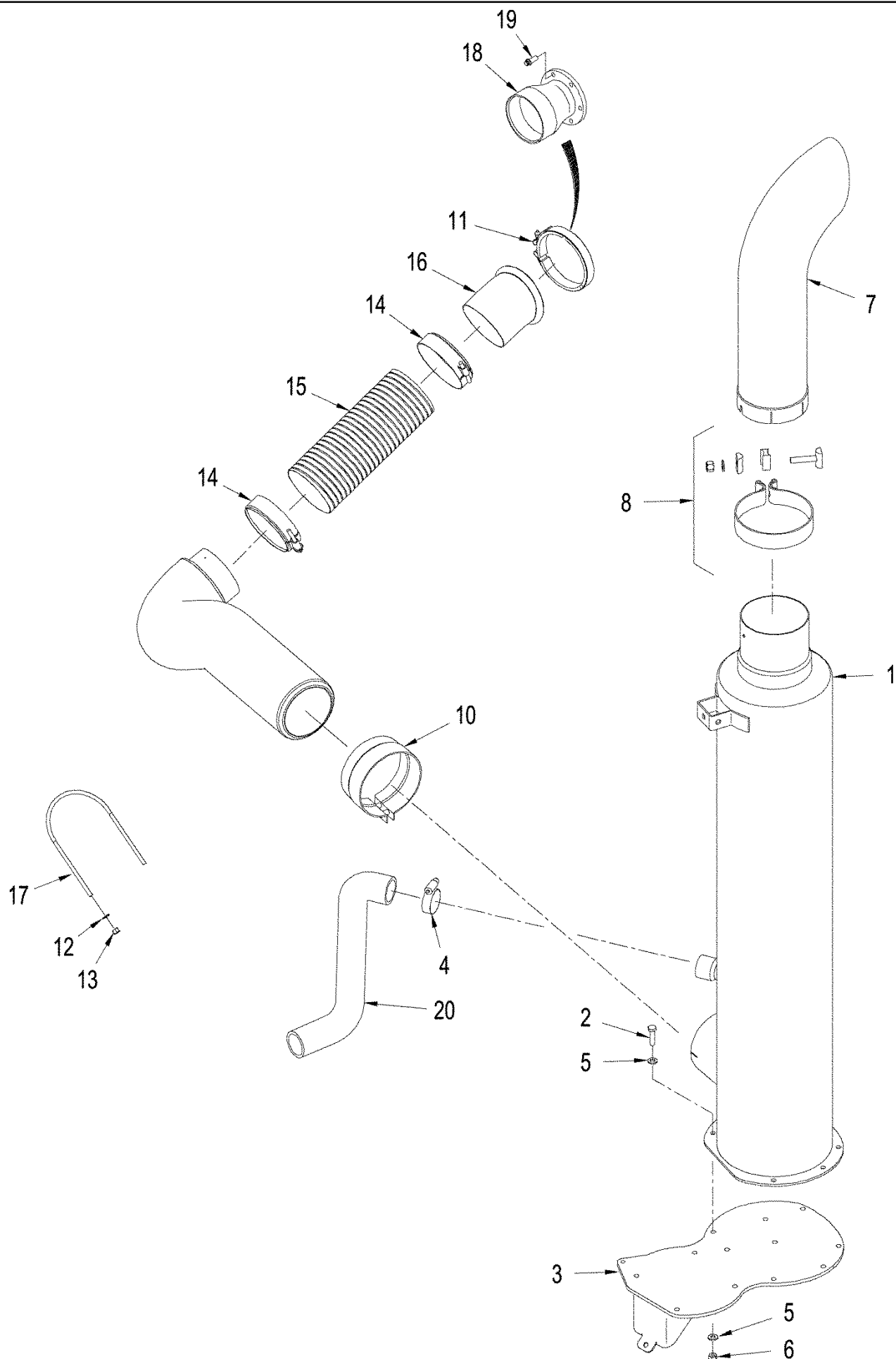
сылка	Номер детали	Кол-во	Описание
1	NSS	1	NOT SERVICED SEPARATELY, Engine, Cummins
2	827-20220	2	BOLT, Hex, M20 x 220, 10.9,
3	896-15020	2	WASHER, M20 x 44.5 x 5, HT,
4	379611A1	4	WASHER, Engine Mounting, Rear
5	361187A1	2	ISOLATOR, Rubber, Engine Mounting
6	832-10420	2	NUT, LOCK, M20 x 2.5, CI 8,
7	827-16110	2	BOLT, Hex, M16 x 110, 10.9,
8	19-408	2	WASHER, Engine Mounting, Front
9	435439A1	2	MOUNT, RUBBER, Engine
10	51-128	2	WASHER, .656" x 3.50" x .187" Thk, Engine Mounting, Front
11	496-41066	2	WASHER, 21/32" x 1 1/2" x .188", HDN,
12	832-10416	2	NUT, LOCK, M16 x 2, CI 8,
13	324617A1	1	FILTER, ENGINE OIL,
14	324618A1	1	FILTER, COOLANT,
15	87366406	1	FILTER, FUEL,
16	325289A1	1	BELT, Water Pump
16	87366407	1	BELT, Accessory Drive, Alternator & A/C



STX530 CASE IH 4WD TRACTOR (BTW Z6F100023 - Z6F105001)

02-18 EXHAUST SYSTEM - QUADTRAC TRACTOR, 10" MUFFLER, STX & STEIGER 480 / 530

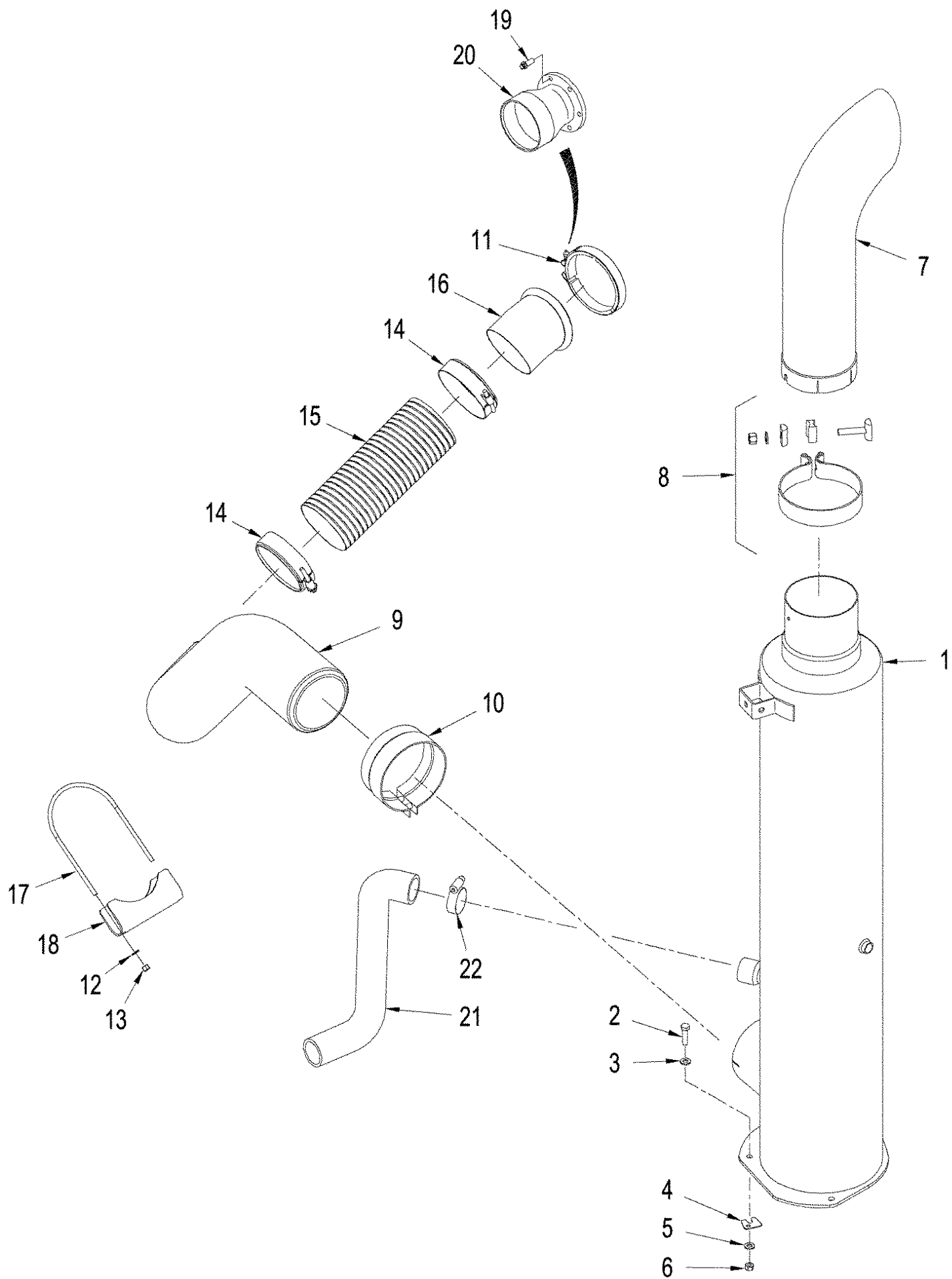
сылка	Номер детали	Кол-во	Описание
1	87443197	1	MUFFLER, with Spark Arrestor, 10"
1	87350582	1	MUFFLER, without Spark Arrestor, 10"
2	827-10040	4	BOLT, Hex, M10 x 40, 10.9, Full Thd,
3	896-11010	4	WASHER, M10 x 21.5 x 2.5, HT,
4	404824A1	AR	SHIM, Muffler Mounting
5	896-15010	2	WASHER, M10 x 24.5 x 3, HT,
6	832-46410	2	NUT, LOCK, M10 x 1.5, CI 8,
7	87430635	1	ELBOW, Muffler Exhaust, Inc. 8
8	87430634	1	CLAMP, Muffler
9	87319265	1	TUBE, Exhaust, Doublewall
10	357686A1	1	CLAMP, Exhaust, 6"
11	31-1316	1	MOUNTING CLIP, , STEIGER 530, STX530
12	495-11034	2	WASHER, 5/16", SAE,
13	231-1445	2	NUT, LOCK, 5/16"-18, GB,
14	87406903	2	COLLAR CLAMP,
15	87376393	1	TUBE, Flexible
16	87319225	1	FLANGE, Flanged
17	44-13T1	1	U-BOLT, Exhaust Intake Tube
18	87327027	1	ELBOW, Exhaust
19	868-10025	6	SCREW, 12 Pt Hd, M10 x 25, 12.9, , STEIGER 480, STX480
20	87304242	1	HOSE, Aspirator
21	214-3240	1	CLAMP, HOSE, 1.75/2.625 HD Worm, W/liner,



STX530 CASE IH 4WD TRACTOR (BTW Z6F100023 - Z6F105001)

02-18(01) EXHAUST SYSTEM - QUADTRAC TRACTOR, 12" MUFFLER, STX & STEIGER 530

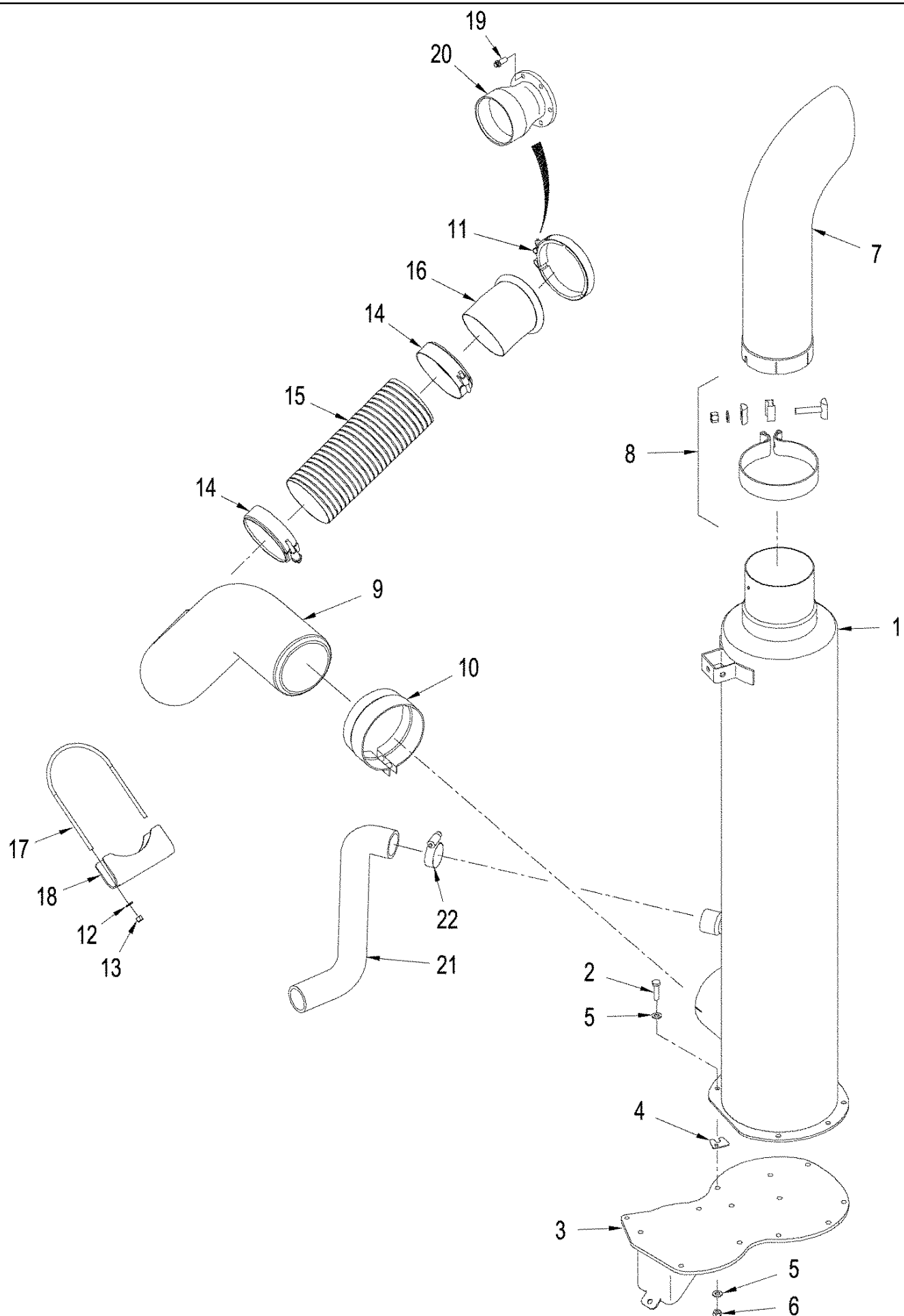
сылка	Номер детали	Кол-во	Описание
1	87630499	1	MUFFLER, with Spark Arrestor, 12"
1	87614022	1	MUFFLER, without Spark Arrestor, 12"
2	827-10050	5	BOLT, Hex, M10 x 50, 10.9,
3	87618507	1	PLATE, Muffler Mounting
4	214-3240	1	CLAMP, HOSE, 1.75/2.625 HD Worm, W/liner,
5	896-15010	7	WASHER, M10 x 24.5 x 3, HT,
6	832-46410	2	NUT, LOCK, M10 x 1.5, CI 8,
7	87618142	1	PIPE, EXHAUST SYSTEM, Inc. 8
8	87430634	1	CLAMP, Muffler
9	87319265	1	TUBE, Exhaust, Doublewall
10	357686A1	1	CLAMP, Exhaust, 6"
11	31-1316	1	MOUNTING CLIP, , STEIGER 530, STX530
12	495-11034	2	WASHER, 5/16", SAE,
13	231-1445	2	NUT, LOCK, 5/16"-18, GB,
14	87406903	2	COLLAR CLAMP,
15	87376393	1	TUBE, Flexible
16	87319225	1	FLANGE, Flanged
17	44-13T1	1	U-BOLT, Exhaust Intake Tube
18	87327027	1	ELBOW, Exhaust
19	868-10025	6	SCREW, 12 Pt Hd, M10 x 25, 12.9,
20	87630063	1	HOSE, Aspirator



STX530 CASE IH 4WD TRACTOR (BTW Z6F100023 - Z6F105001)

02-19 EXHAUST SYSTEM - WHEEL TRACTOR, 10" MUFFLER, STX & STEIGER 480 / 530

сылка	Номер детали	Кол-во	Описание
1	87443197	1	MUFFLER, with Spark Arrestor, 10"
1	87350582	1	MUFFLER, without Spark Arrestor, 10"
2	827-10040	4	BOLT, Hex, M10 x 40, 10.9, Full Thd,
3	896-11010	4	WASHER, M10 x 21.5 x 2.5, HT,
4	404824A1	AR	SHIM,
5	896-15010	2	WASHER, M10 x 24.5 x 3, HT,
6	832-46410	4	NUT, LOCK, M10 x 1.5, Cl 8,
7	87430632	1	ELBOW, Exhaust, Inc. 8
8	87430634	1	CLAMP,
9	87319256	1	TUBE, Exhaust, Doublewall
10	357686A1	1	CLAMP, Exhaust, 6"
11	31-1316	1	MOUNTING CLIP, , STX530
12	495-11034	2	WASHER, 5/16", SAE,
13	231-1445	2	NUT, LOCK, 5/16"-18, GB,
14	87406903	2	COLLAR CLAMP,
15	87376393	1	TUBE, Flexible
16	87319225	1	FLANGE, Flanged
17	87407079	1	U-BOLT, 6"
18	87443358	1	BRACKET, SUPPORTING,
19	868-10025	6	SCREW, 12 Pt Hd, M10 x 25, 12.9, , STEIGER 480, STX480
20	87327027	1	ELBOW, Exhaust, STX480, STEIGER 480
21	87304242	1	HOSE, Aspirator
22	214-3240	1	CLAMP, HOSE, 1.75/2.625 HD Worm, W/liner,

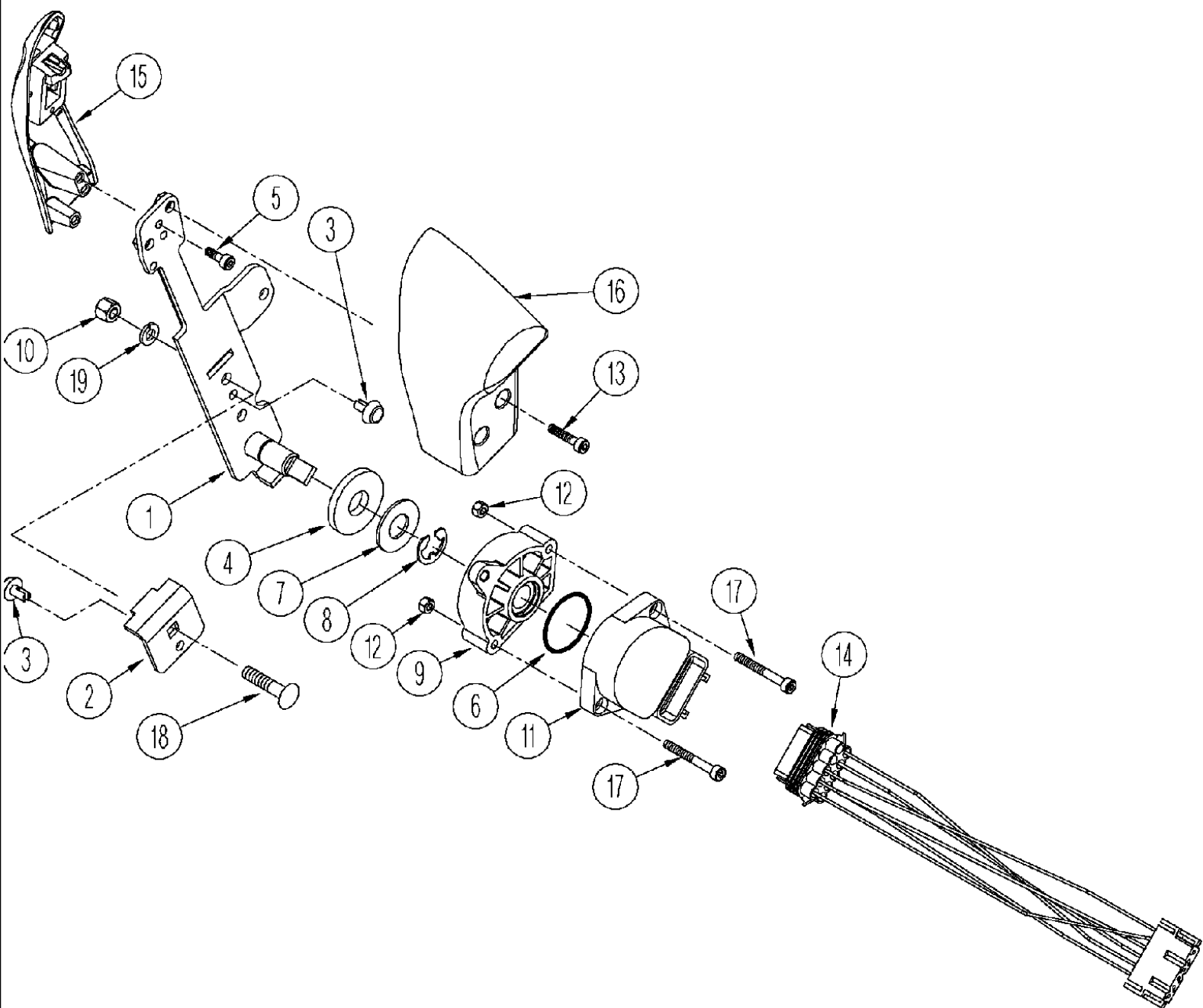


STX530 CASE IH 4WD TRACTOR (BTW Z6F100023 - Z6F105001)

02-19(01) EXHAUST SYSTEM - WHEEL TRACTOR, 12" MUFFLER, STX & STEIGER 530

сылка	Номер детали	Кол-во	Описание
1	87630499	1	MUFFLER, with Spark Arrestor, 12"
1	87614022	1	MUFFLER, without Spark Arrestor, 12"
2	827-10050	5	BOLT, Hex, M10 x 50, 10.9,
3	87618178	1	SUPPORT, Muffler Mounting
4	896-11010	AR	WASHER, M10 x 21.5 x 2.5, HT,
5	896-15010	10	WASHER, M10 x 24.5 x 3, HT,
6	832-46410	4	NUT, LOCK, M10 x 1.5, CI 8,
7	87430632	1	ELBOW, Exhaust, Inc. 8
8	87430634	1	CLAMP,
9	87618179	1	PIPE, EXHAUST SYSTEM, Exhaust, Doublewall
10	357686A1	1	CLAMP, Exhaust, 6"
11	31-1316	1	MOUNTING CLIP, , STX530
12	495-11034	2	WASHER, 5/16", SAE,
13	231-1445	2	NUT, LOCK, 5/16"-18, GB,
14	87406903	2	COLLAR CLAMP,
15	87376393	1	TUBE, Flexible
16	87319225	1	FLANGE, Flanged
17	87439948	1	U-BOLT, 6"
18	87715842	1	BRACKET, Exhaust Tube
19	868-10025	6	SCREW, 12 Pt Hd, M10 x 25, 12.9, , STX480, STEIGER 480
20	87327027	1	ELBOW, Exhaust, STEIGER 480, STX480
21	87630063	1	HOSE, Aspirator
22	214-3240	1	CLAMP, HOSE, 1.75/2.625 HD Worm, W/liner,

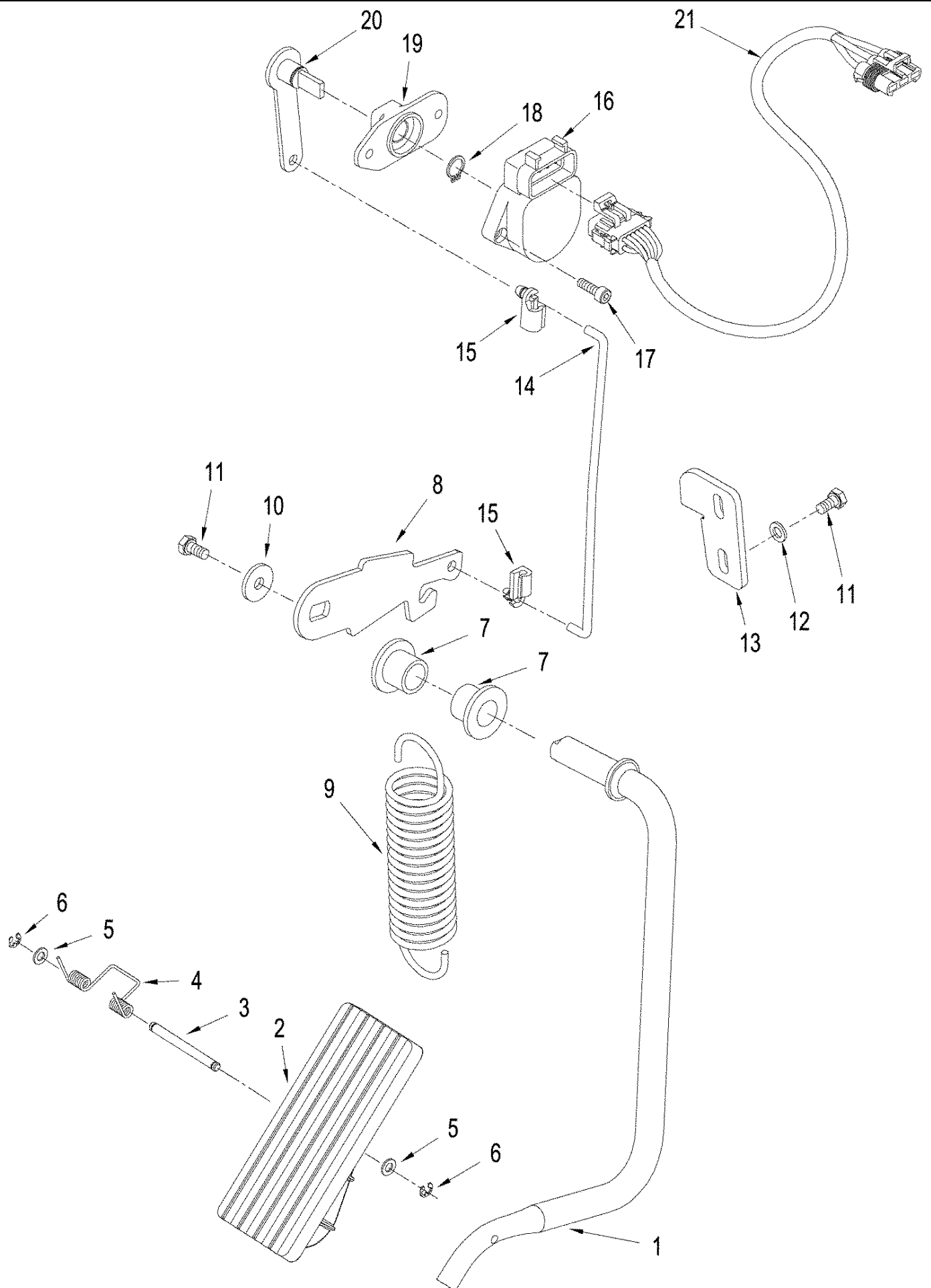
03-01 THROTTLE



STX530 CASE IH 4WD TRACTOR (BTW Z6F100023 - Z6F105001)

03-01 THROTTLE

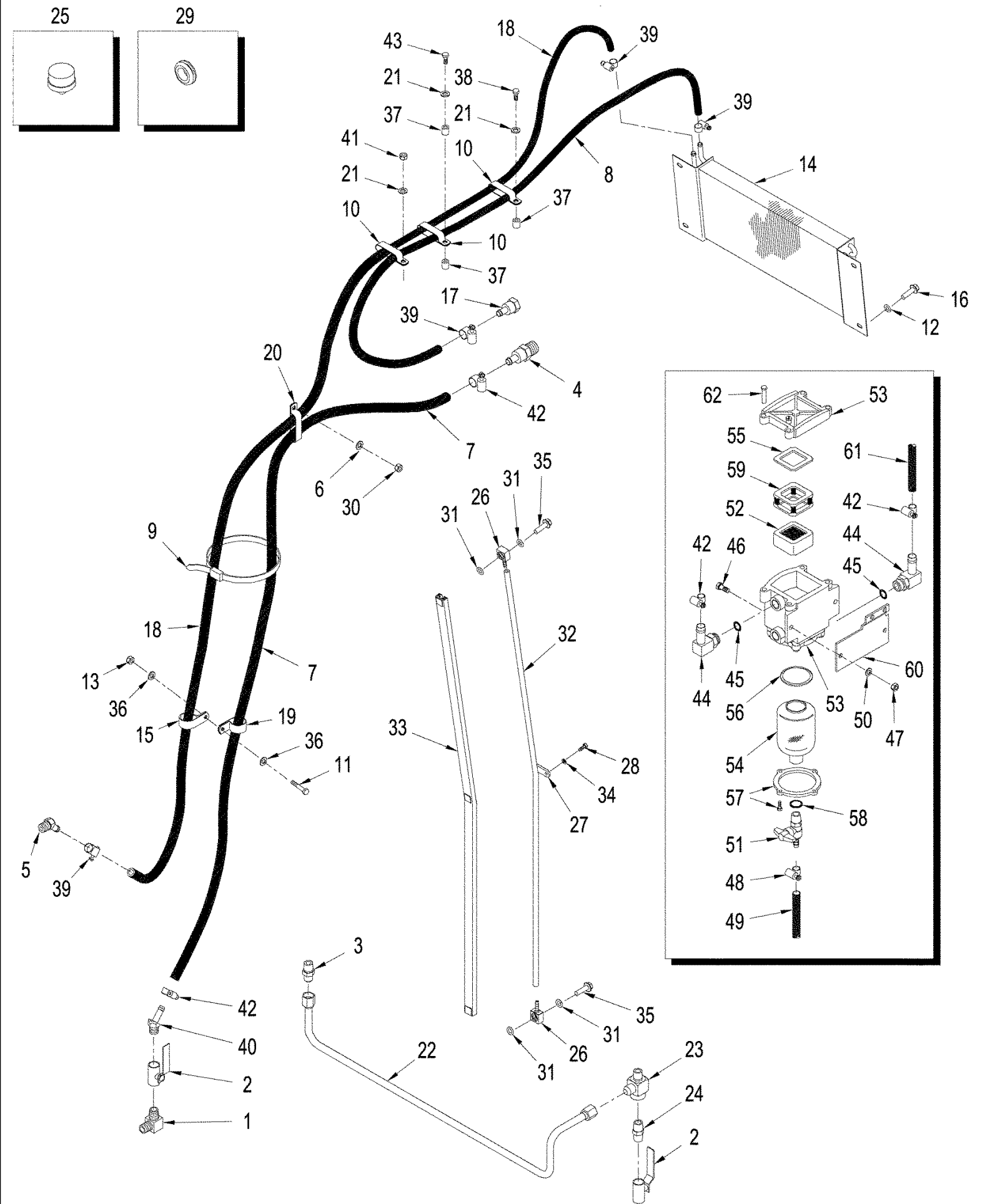
сылка	Номер детали	Кол-во	Описание
1	402797A1	1	BRACKET, Throttle Bracket, With Advanced Farming Systems (AFS)
1	367607A1	1	BRACKET, Throttle Bracket, With Power Shift Transmission
2	258734A2	1	SUPPORT, Throttle Friction Device
3	259040A1	2	INSERT, Friction Device
4	237486A1	2	WASHER,
5	87536486	3	SCREW, M4 x 16
6	238-6025	1	O-RING, -.025, 90 Duro, 1.176" ID x .070" Thk,
7	495-81022	1	WASHER, 17/32" x 1 1/8" x .060",
8	103-3350	1	RING, LOCKING, #50, .392" Dia, E-Type,
9	239491A1	1	BUSHING,
10	832-10406	2	NUT, LOCK, M6 x 1, CI 8,
11	259012A1	1	POTENTIOMETER, Throttle Control, With Power Shift Transmission
11	402751A1	1	POTENTIOMETER, Throttle Control, With Manual Shift Transmission
12	832-46404	2	NUT, LOCK, M4 x .7, CI 8,
13	864-4020	2	SCREW, Hex Soc Hd, M4 x 20, 8.8,
14	276352A1	1	HARNESS, Electronic Throttle, With Power Shift Transmission, Manual Shift Transmission with ARU
15	87622401	1	GRIP, Throttle Face Plate
16	293388A2	1	GRIP, Throttle, Manual Shift Transmission with ARU
16	388705A1	1	GRIP, Throttle
16	388864A1	1	GRIP, Throttle, Leather
17	864-4035	2	SCREW, Hex Soc Hd, M4 x 35, 8.8,
18	811-6030	1	BOLT, CARRIAGE, Short NK, M6 x 30, CI8.8, Full Thd,
19	892-11006	1	WASHER, LOCK, M6,



STX530 CASE IH 4WD TRACTOR (BTW Z6F100023 - Z6F105001)

03-02 THROTTLE - DECELARATOR CONTROL, ASN Z6F105037

сылка	Номер детали	Кол-во	Описание
1	328353A2	1	ROD, Decelerator
2	298842A1	1	SKID/SHOE, Foot Throttle
3	255291A1	1	PIN, Foot Throttle
4	256776A1	1	SPRING, Foot Throttle Control
5	895-11005	2	WASHER, M5 x 10 x 1,
6	800-435	2	CIRCLIP, M5,
7	300891A1	2	BEARING,
8	248844A1	1	LEVER, Decel
9	278211A1	1	SPRING, Extension
10	396-41028	1	WASHER, .281" x 7/8" x .098", HDN,
11	627-6012	3	BOLT, Hex, M6 x 12, 10.9,
12	895-11006	2	WASHER, M6,
13	281115A1	1	BRACKET, Decel Stop
14	281125A1	1	ROD, Potentiometer Connecting
15	60-2404T1	2	RETAINER, Plastic Rod
16	259012A1	1	POTENTIOMETER, Throttle Control
17	864-5016	2	SCREW, Hex Soc Hd, M5 x 16, 8.8,
18	800-1112	1	RING, SNAP, M12, Ext,
19	258524A2	1	BUSHING,
20	313273A2	1	PIN,
21	87545500	1	HARNESS, Decelerator Control



STX530 CASE IH 4WD TRACTOR (BTW Z6F100023 - Z6F105001)

03-04 FUEL LINES, STX & STEIGER 480 / 530

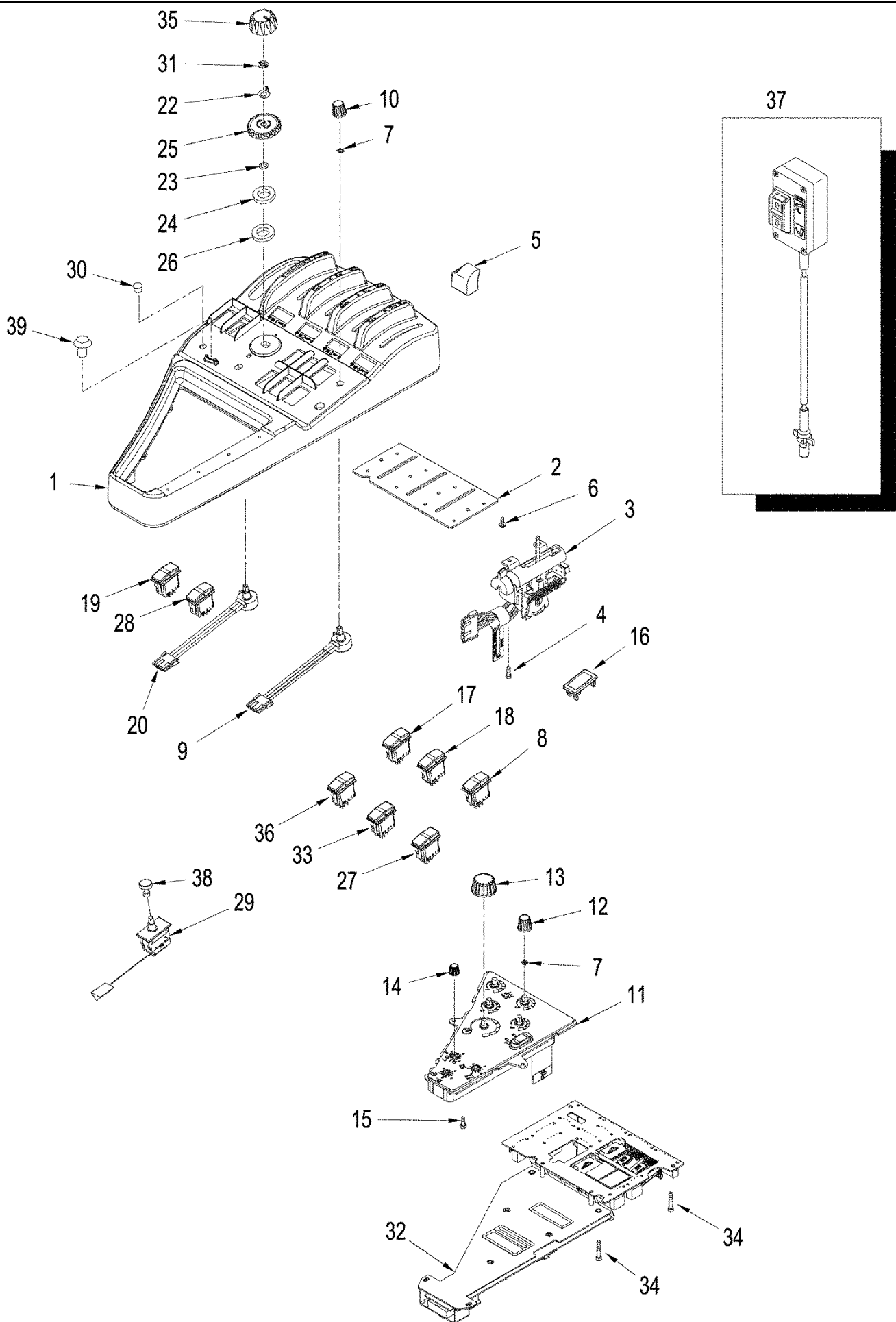
сылка	Номер детали	Кол-во	Описание
1	217-1226	1	ELBOW, 90е, 1/2"-14 Male,
2	31-1267	2	VALVE, SHUT-OFF,
3	218-445	1	CONNECTOR, HYD., 7/8"-14, 37е x 1/2"-14, NPTF,
4	31-2976	1	FITTING, 7/8" fem sw x 31/64" barb, Socketless
5	217-186	1	FITTING, 45е, 1/2" Hose x 1/2" NPTF Beaded,
6	895-11010	5	WASHER, M10 x 20 x 2,
7	296077A1	1	HOSE, 3657 mm (144"), Supply, Cut From 50-3418X1
8	87438352	1	HOSE, 2450 mm (96"), Hot Return, Cut From 32-080T1
9	327144A1	1	CLAMP, Dual Tie
10	L101181	4	CLAMP,
11	627-8035	3	BOLT, Hex, M8 x 35, 10.9,
12	896-15008	4	WASHER, M8 x 21.5 x 2.5, HT,
13	832-10408	3	NUT, LOCK, M8 x 1.25, CI 8,
14	87434394	1	COOLER, Fuel
15	515-23159	3	CLAMP, 5/8", Insul, 3/8" Bolt,
16	627-8016	4	BOLT, Hex, M8 x 16, 10.9,
17	31-3129	1	ADAPTER, 7/8"
18	87438353	1	HOSE, 5855 mm (230-1/2"), Cold Return, Cut From 32-080T1
19	515-23190	3	CLAMP, 3/4", Insul, 3/8" Bolt,
20	R54363	4	CLAMP, Double Hose
21	895-11008	1	WASHER, M8 x 16 x 1.6,
22	335041A2	1	LINE, Crossover
23	31-1000	1	TEE, 1/2 PT x 1/2 PT x 7/8 fl
24	217-1072	1	CONNECTOR, HYD., 1/2"-14 NPTF,
25	90-7732T1	1	BREATHER,
26	352767A1	2	CONNECTOR, HYD.,
27	402800A1	1	BRACKET, Mounting, Sight Guage
28	627-6016	1	BOLT, Hex, M6 x 16, 10.9,
29	248-2178	2	GROMMET, 3/4" ID x 1 1/16" Groove Dia,
30	829-1410	4	NUT, M10, CI 10,
31	337248A1	4	O-RING,
32	337240A1	1	HOSE, 1222 mm (48"), Sight Guage, Cut From 337242A1
33	349868A1	1	CHANNEL, Sight Guage
34	895-11006	1	WASHER, M6,
35	844-10035	2	BOLT, Hex Flg, M10 x 35, 8.8,
36	895-15008	6	WASHER, M8 x 20 x 1.6,
37	A27328	3	SPACER,
38	827-8060	1	BOLT, Hex, M8 x 60, 10.9,
39	214-1406	4	CLAMP, HOSE, #06, .44/.78 Type F Worm,
40	217-144	1	ELBOW, 45е, 5/8" Hose x 1/2" NPTF Beaded,
41	627-8025	1	BOLT, Hex, M8 x 25, 10.9,
42	214-1408	4	CLAMP, HOSE, #08, 0.50/0.91 Type F Worm,
43	827-8090	1	BOLT, Hex, M8 x 90, 10.9,
44	217-349	2	FITTING, 90е, 5/8" Hose x 7/8"-14 ORB Beaded, Inc. 45
45	237-6010	1	O-RING, 10-1, 90 Duro, .755" ID x .097" Thk,

STX530 CASE IH 4WD TRACTOR (BTW Z6F100023 - Z6F105001)

03-04 FUEL LINES, STX & STEIGER 480 / 530

сылка	Номер детали	Кол-во	Описание
46	614-8020	2	BOLT, Hex, M8 x 20, 8.8,
47	829-1408	2	NUT, M8, CI 10,
48	214-1406	1	CLAMP, HOSE, #06, .44/.78 Type F Worm,
49	32-204	1	HOSE, LARGE, Drain, Auxiliary Fuel Filter
50	895-11008	4	WASHER, M8 x 16 x 1.6,
	87409378	1	FILTER, FUEL, Strainer, Inc. 51 - 58
51	369844A1	1	DRAINCOCK/TAP, SUPPLY,
52	87409379	1	FILTER, Auxiliary Fuel, 30 Micron
53	NSS	1	NOT SERVICED SEPARATELY, Housing, Auxiliary Fuel Strainer
54	87409380	1	FILTER, Bowl
55	87333676	1	GASKET, Fuel Strainer
56	87331930	1	GASKET, Auxiliary Bowl Filter
57	87333671	1	RING, Retainer
58	369843A1	1	GASKET,
59	87333679	1	SPRING, Filter Frame
60	87341631	1	BRACKET, Fuel Filter
61	87313728	1	HOSE, Supply, Fuel Tank to Auxiliary Fuel Filter, 485 mm (19")
62	87608457	4	BOLT, SPECIAL,

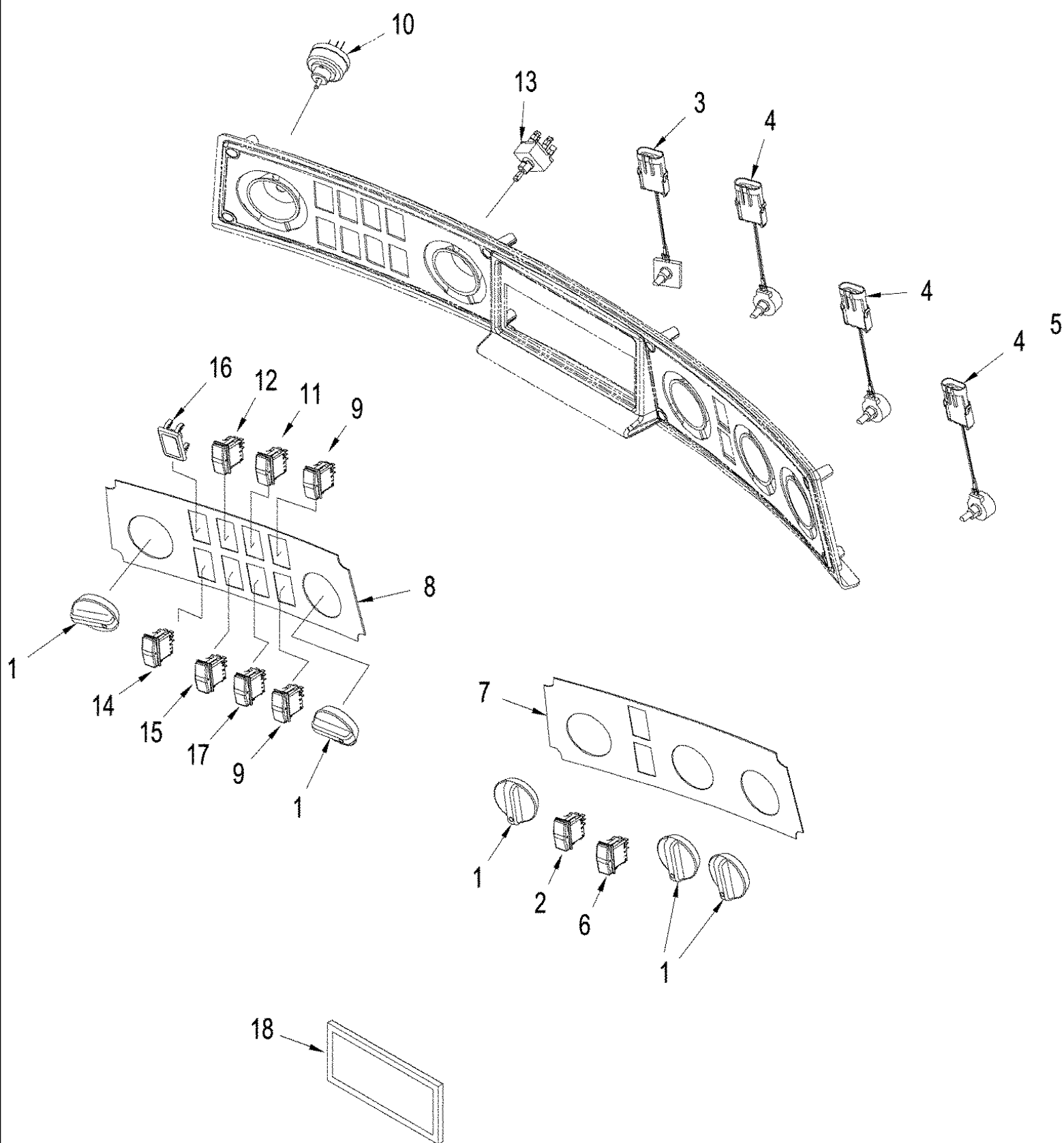
04-01 CONTROLS - RIGHT HAND ARMREST CONSOLE



04-01 CONTROLS - RIGHT HAND ARMREST CONSOLE

сылка	Номер детали	Кол-во	Описание
1	87314378	1	CONSOLE, Housing, Upper, w/ Decal, See Figure: 09-20
	87395318	1	CONTROL, Electronic, Inc. 2 - 4
2	230098A1	1	PLATE, Mounting
3	87395299	4	VALVE, CONTROL, Remote Auxiliary Valve
4	261-3446	8	SCREW, Std Pan Hd, #8-32 x 3/8",
5	406962A1	4	KNOB, Remote
6	87536486	4	SCREW,
7	A39888	2	NUT, 3/8"-32
8	86989947	1	SWITCH, Fifth Auxiliary Valve
9	256305A2	1	POTENTIOMETER, Flow Control
10	276797A1	1	KNOB, Flow Control
11	339735A1	1	PANEL, Secondary
11	87356118	1	PANEL, CONTROL, Secondary, Without Three Point Hitch
12	276797A1	4	KNOB, Flow Control
13	187820A1	1	KNOB, Remote Valve Timer Control
14	223433A1	2	KNOB, Electronic Draft Control
15	760-14316	2	SCREW, SELF TAPPING, Pan Hd, M4.2 x 16,
16	406324A2	2	PLUG,
17	87361920	1	SWITCH, Differential Lock, Rear
18	87361921	1	SWITCH, Differential Lock, Front
19	86990406	1	SWITCH, Hitch Position
20	87665287	1	POTENTIOMETER, Three Point Hitch Position
22	87436077	1	WASHER, Stainless Steel
23	87435947	1	SPRING, Potentiometer Detent
24	87435853	1	RING, Hitch Position
25	87435194	1	KNOB, Wheel, Detent Position Indicator
26	87435852	1	SPACER,
27	86989951	1	SWITCH, Scraper, If Used
28	87422017	1	SWITCH, Head Land / Turn Sequence
29	414495A1	1	SWITCH, Power Takeoff
30	353-402	1	PLUG, Dome, .375" hole, Nylon, , Without Three Point Hitch
31	87435946	1	WASHER, Detent, Without Three Point Hitch
32	87524858	1	CONTROL, Armrest, Download Software from Service Tool.
33	87414465	1	SWITCH, Autoshift
34	87536486	6	SCREW, M4 x 16, CL12.9
35	87434770	1	KNOB, Hitch Position Control
36	87308327	1	SWITCH, Engine Brake, If Used
36	87414327	1	SWITCH, EDC, Slip Limit Control, If Used
37	382247A1	1	SWITCH, Remote, Three Point Hitch
38	411705A3	1	KNOB, Power Takeoff
39	87323840	1	SWITCH, ACCUGUIDE, If Used

04-02 CONTROL PANEL - COMPONENTS

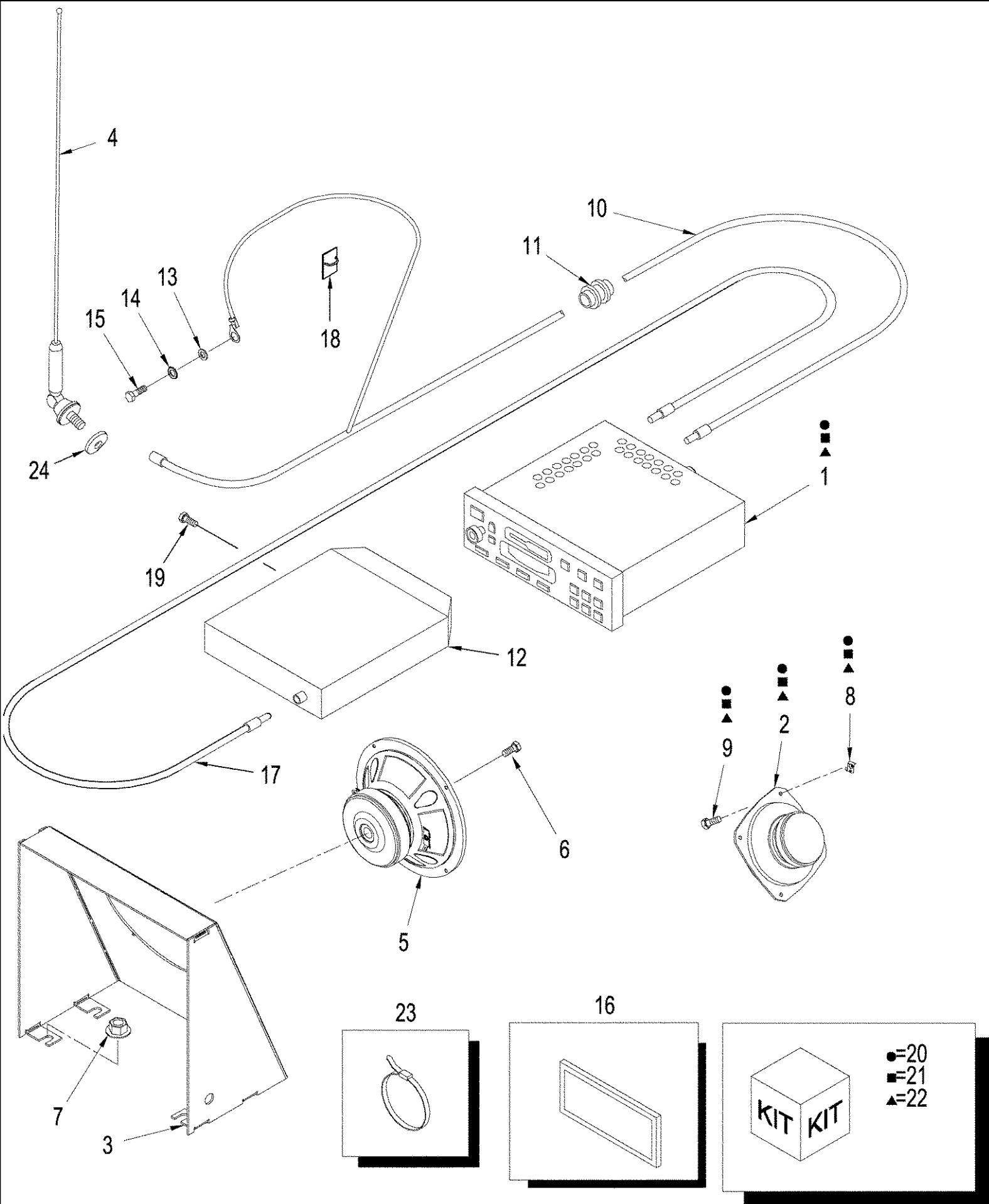


STX530 CASE IH 4WD TRACTOR (BTW Z6F100023 - Z6F105001)

04-02 CONTROL PANEL - COMPONENTS

сылка	Номер детали	Кол-во	Описание
1	1331046C2	5	CAP, WASHER, Knob
2	87454558	1	SWITCH, Climate Control
3	92100C2	1	SWITCH, Blower Motor
4	418107A1	AR	POTENTIOMETER,
5	345439A1	1	POTENTIOMETER, Vent Motor
6	87305994	1	SWITCH, Defog
7	87450974	1	DECAL, Climate Control, See Figure: 09-65
8	431230A1	1	DECAL, Light Panel
9	86989939	2	SWITCH, WINDSHIELD WIPER, Rear / Lower Front Wiper
10	177250A1	1	SWITCH, LIGHTS, Rotary, Work Lamps
11	86989955	1	SWITCH, Cruise Control
12	87414325	1	SWITCH, Beacon-Strobe
13	345262A1	1	SWITCH, WINDSHIELD WASHER, Front Washer / Wiper
14	87442098	1	SWITCH, LIGHTS, Road Lamp / Flasher
15	330116A1	1	SWITCH, Auxiliary Power
16	86000535	4	PLUG, 1.427" x .62", Plastic, Hole Cover
17	86989953	1	SWITCH, Cruise Control, Increase / Decrease
18	1535219C1	1	COVER, Without Radio, Australian Models

04-03 RADIO AND SPEAKERS

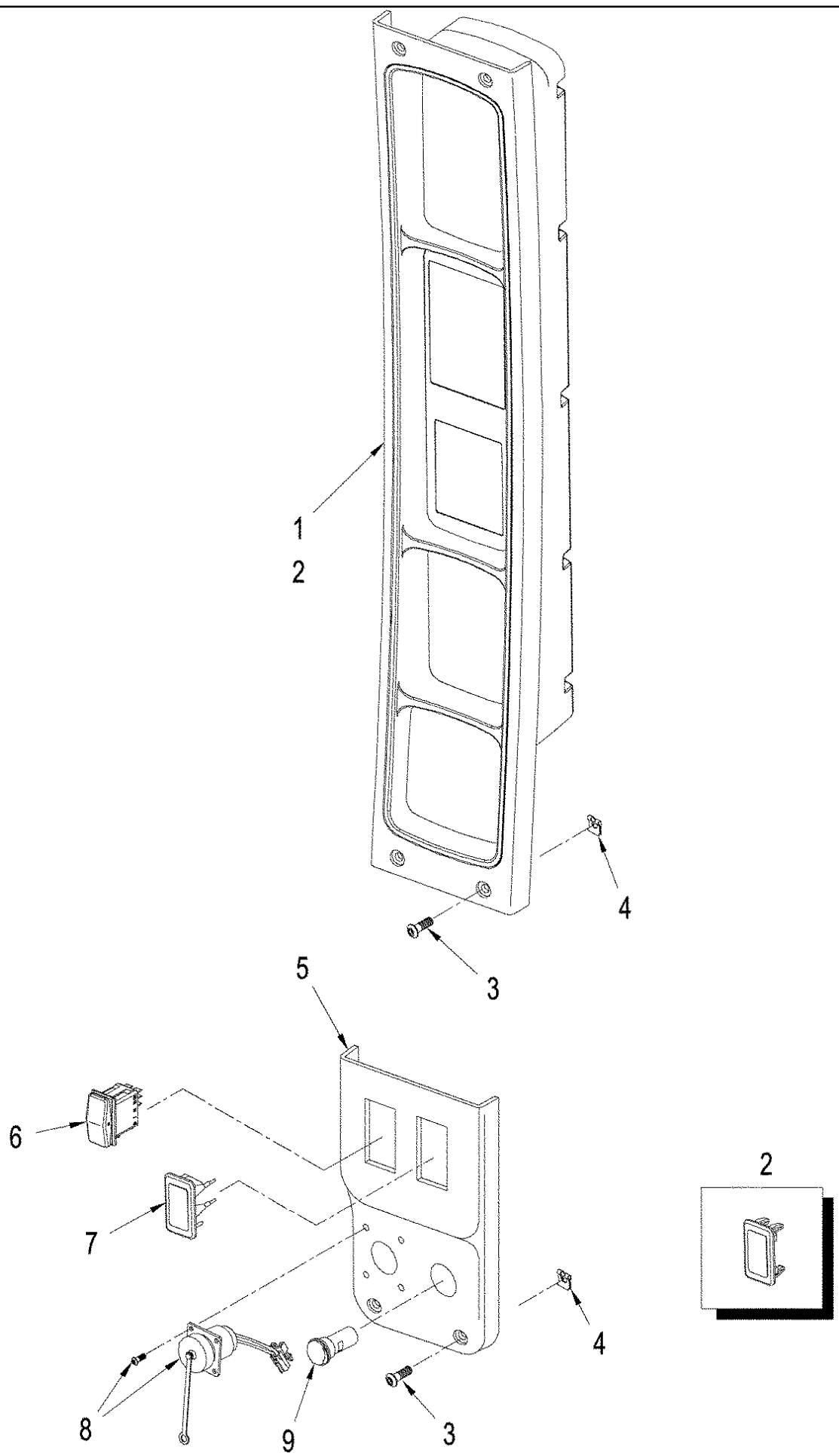


STX530 CASE IH 4WD TRACTOR (BTW Z6F100023 - Z6F105001)

04-03 RADIO AND SPEAKERS

сылка	Номер детали	Кол-во	Описание
1	87552288	1	RADIO, AM / FM / WB / CD
1	355623A2	1	RADIO, AM / FM / WB / Cassette
1	325061A2	1	RADIO, AM/FM/WB, With Cassette Tape, CD Changer Ready
2	258342A2	2	SPEAKER, Co-Axial
3	388445A1	1	HOUSING, Subwoofer
4	360215A1	1	ANTENNA, Radio
5	388444A1	1	SPEAKER, 8, Subwoofer
6	760-14413	4	SCREW, SELF TAPPING, Pan Hd, M4.8 x 13, Australian Models
7	825-5148	4	NUT, M8, Flg Ser,
8	177269A1	8	NUT,
9	1270741C1	8	SCREW, SELF TAPPING, Cross Pan Hd, #8 x 1",
10	360432A2	1	HARNES, Antenna, Inc. 11
11	NSS	1	NOT SERVICED SEPARATELY, Grommet
12	317688A1	1	PLAYER, COMPACT DISC, Delco, 6 Disc
13	895-11006	1	WASHER, M6,
14	893-11006	1	WASHER, LOCK, Ext Tooth, M6,
15	779-14613	1	SCREW, SELF TAPPING, Hex Hd, M6.3 x 13,
16	1535219C1	1	COVER, Without Radio
17	449071A1	1	HARNES, CD Player, 5486 mm (216 in)
18	388489A1	2	CLIP, ELECTRICAL,
18	435436A1	AR	MOUNT, RUBBER, Adhesive Backed
19	864-5012	3	SCREW, Hex Soc Hd, M5 x 12, 8.8,
20	334229A1	1	KIT, AM / FM / WB / Cassette / CD, Inc. 1,2,8,9
21	186158A1	1	KIT, AM / FM / WB, Inc. 1,2,8,9
22	719582003	1	KIT, Single CD Player / Radio
23	L18331	1	STRAP, CABLE, 7-1/4"
24	87343754	1	SPACER,

04-04 INSTRUMENT CLUSTER & ROPS POST CONTROLS

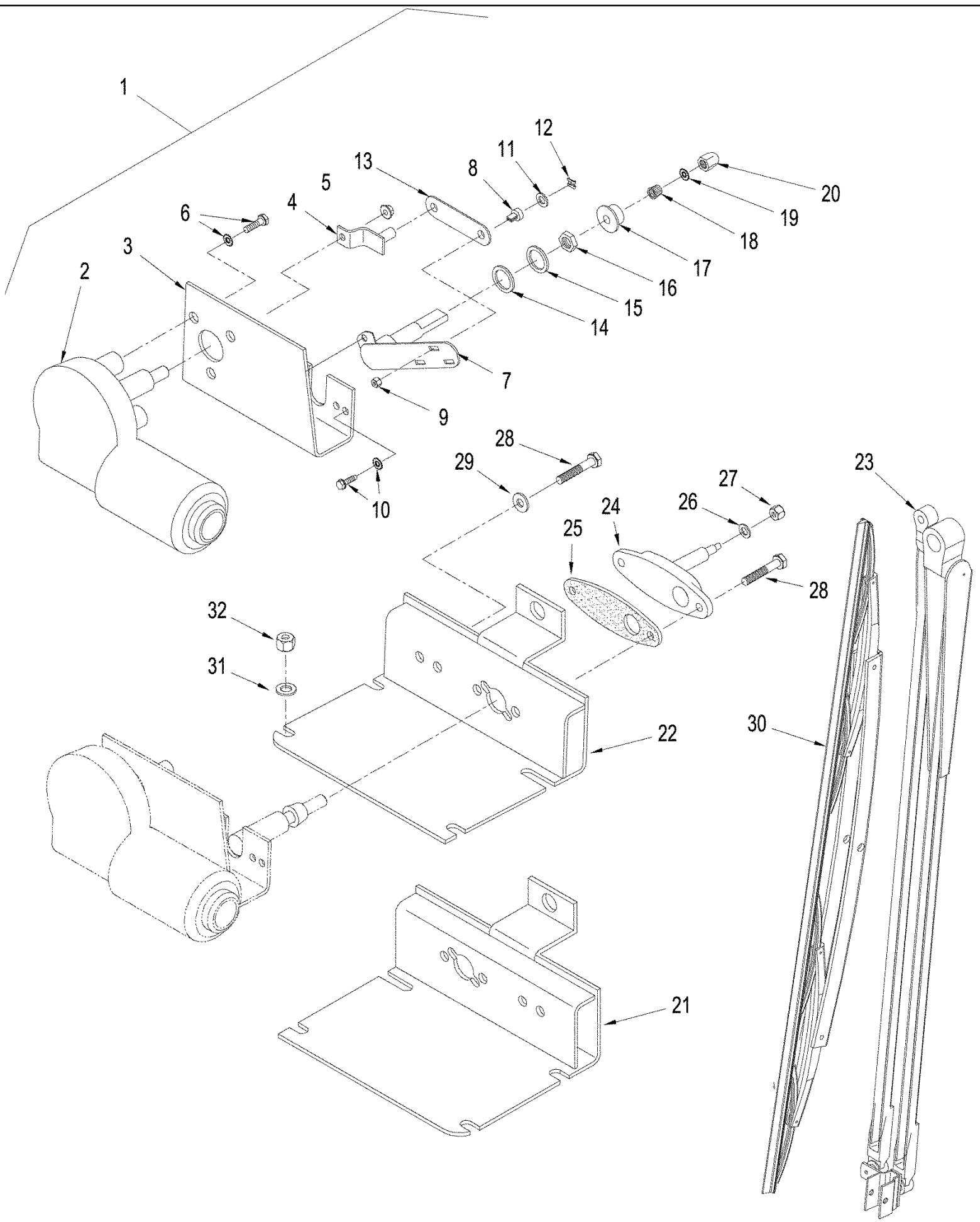


STX530 CASE IH 4WD TRACTOR (BTW Z6F100023 - Z6F105001)

04-04 INSTRUMENT CLUSTER & ROPS POST CONTROLS

сылка	Номер детали	Кол-во	Описание
1	87350682	1	MODULE, Basic, BSN Z6F105001
1	87549279	1	MODULE, Basic, ASN Z6F105001
1	87350683	1	MODULE, Deluxe, BSN Z6F105001
1	87520588	1	MODULE, Deluxe, ASN Z6F105001
2	NSS	1	NOT SERVICED SEPARATELY, Software, Not Illustrated, Download Software from Service Tool.
3	260-16516	6	SCREW, SELF TAPPING, Cross Pan Hd, #10 x 1",
4	177269A1	6	NUT, Spring
5	358343A2	1	BEZEL, ROPs Post
6	418506A1	1	SWITCH, PARK BRAKE, Park Brake, With Manual Shift Transmission
7	409808A1	1	INDICATOR, Transmission Hi / Lo, With Manual Shift Transmission
8	227739A2	1	CONNECTOR, ELEC, Power Port
9	87452321	1	OUTLET, Power
10	406324A1	AR	PLUG, Hole Cover

04-05 WIPER, WINDSHIELD - MOUNTING

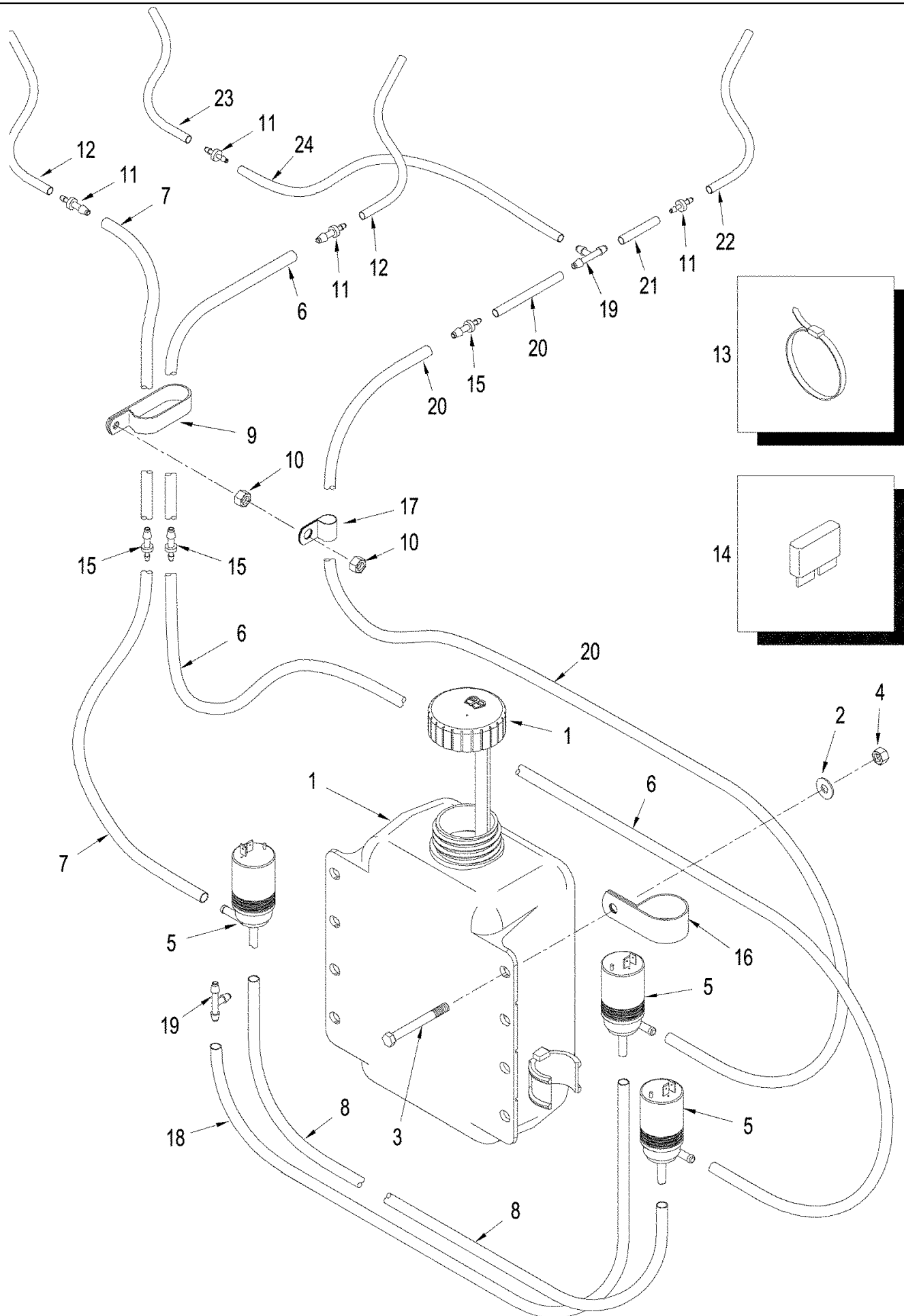


STX530 CASE IH 4WD TRACTOR (BTW Z6F100023 - Z6F105001)

04-05 WIPER, WINDSHIELD - MOUNTING

сылка	Номер детали	Кол-во	Описание
	248812A4	1	WIPER MOTOR, Rear, Upper, All Cab Options, Inc. 2 - 20, 22, 24 - 29
	87408490	1	WIPER MOTOR, Front, Rear, All Cab Options, Inc. 2 - 20, 22, 24 - 29
1	87308226	1	WIPER MOTOR, Front, Lower, RH, Inc. 2 - 20
1	87308230	1	WIPER MOTOR, Front, Lower, LH, Inc. 2 - 20
1	87308180	1	WIPER MOTOR, Rear, Upper, Inc. 2 - 20
1	87307954	1	WIPER MOTOR, Front, Upper, Inc. 2 - 20
2	87307958	1	WIPER MOTOR, Front & Rear
3	60-6633T1	1	SUPPORT, Wiper Motor
4	87307957	1	ARM, Wiper Motor
5	825-5148	1	NUT, M8, Flg Ser,
6	444867A1	3	SCREW, Button Hd
7	60-6581T91	1	DRIVE ASSY.,
8	NSS	1	NOT SERVICED SEPARATELY, Pin
9	NSS	1	NOT SERVICED SEPARATELY, Nut, Lock
10	1-2686	2	SCREW, Inc. Lock Washer
11	1-2684	2	WASHER,
12	1-2685	2	CLIP,
13	1-2683	1	LINK,
14	60-3495T1	1	WASHER, Fiber
15	60-3496T2	1	WASHER, Steel
16	60-3497T1	1	NUT,
17	60-3498T1	1	COVER,
18	60-3499T2	1	KNOB, Knurled
19	60-6634T1	1	PLATE, LOCKING,
20	60-6635T1	1	NUT, Special
21	87362320	1	PLATE, MOUNTING, RH, Lower Front Wipers
22	87362317	1	PLATE, MOUNTING, LH, Lower Front Wipers
23	87557932	3	WIPER ARM, 20"
	60-1436T91	1	PIVOT ASSY., Pantograph, Inc. 24 - 27
24	NSS	1	NOT SERVICED SEPARATELY, Body
25	2-4190T1	1	GASKET,
26	2-4191T1	1	WASHER,
27	2-4192T1	1	NUT,
28	414-424	3	BOLT, Hex, 1/4"-28 x 1 1/2", G5,
29	495-11028	1	WASHER, 1/4", SAE,
30	334715A1	2	BLADE, 660 mm (26 in), Front, Lower
30	353273A1	2	BLADE, 559 mm (22 in), Front / Rear Upper
31	895-11008	10	WASHER, M8 x 16 x 1.6,
32	832-10408	9	NUT, LOCK, M8 x 1.25, Cl 8,
33	86000535	1	PLUG, 1.427" x .62", Plastic, Switch Hole, Not Illustrated, Deluxe Cab

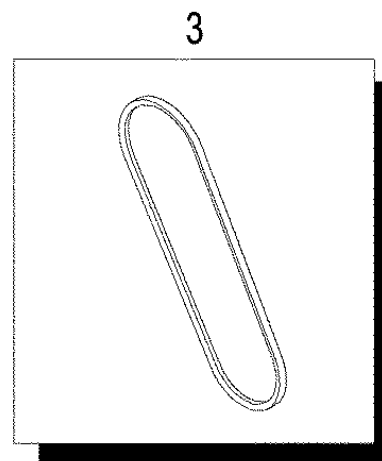
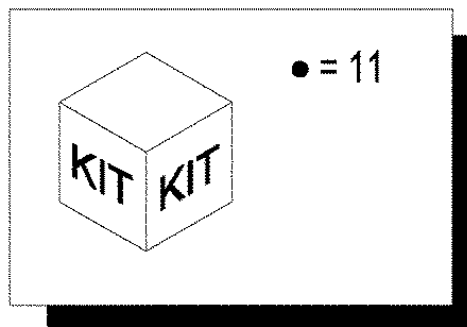
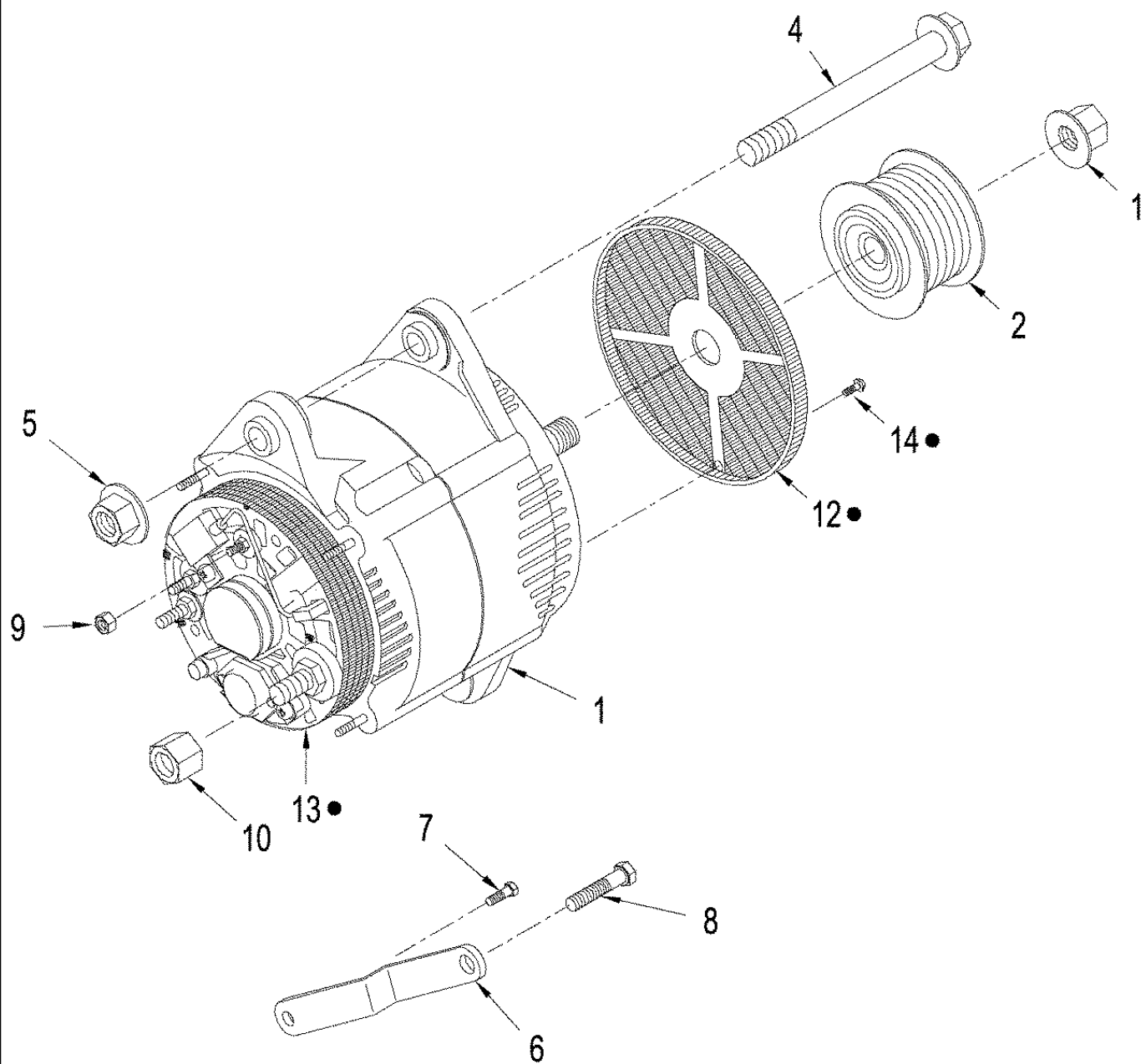
04-06 WINDSHIELD WASHER



STX530 CASE IH 4WD TRACTOR (BTW Z6F100023 - Z6F105001)

04-06 WINDSHIELD WASHER

сылка	Номер детали	Кол-во	Описание
1	313576A1	1	RESERVOIR, Windsheild Washer
2	895-11008	4	WASHER, M8 x 16 x 1.6,
3	811-8030	4	BOLT, CARRIAGE, Short NK, M8 x 30, CI8.8, Full Thd,
4	829-1408	7	NUT, M8, CI 10,
5	1964696C2	3	PUMP, Windsheild Washer Fluid
6	398715A1	1	HOSE, 4775 mm (188"), Front Wiper
7	398714A1	1	HOSE, 3302 mm (130"), Rear Wiper
8	31-2422	2	HOSE, 254 mm (10"), Cut From 4-1056
9	369708A1	4	CLAMP, Hose
10	829-1410	AR	NUT, M10, CI 10,
11	31-2364	4	FITTING, 3/16 x 7/64
12	31-2608	2	HOSE, 200 mm (8"), Rear Wiper
13	435437A1	6	STRAP, CABLE, 3/16" x 7 1/4",
14	121414A1	1	FUSE, 20 Amp
14	121416A1	1	FUSE, 30 Amp
15	84037530	2	VALVE, CHECK,
16	515-24349	1	CLAMP, 1 3/8", Insul, 7/16" Bolt,
17	515-2495	4	CLAMP, 3/8", Insul, 7/16" Bolt,
18	31-2866	1	HOSE, 160 mm (24"), Cut From 4-1056T1
19	31-2363	3	TEE,
20	31-2936	1	HOSE, 4775 mm (188"), Cut From 4-1056T1
21	384139A1	1	HOSE ASSY.,
22	384141A1	1	HOSE ASSY., 225 mm (9")
23	384142A1	1	HOSE ASSY., 250 mm (10"), Cut From 31-2607T1
24	384140A1	1	HOSE ASSY., 762 mm (30")

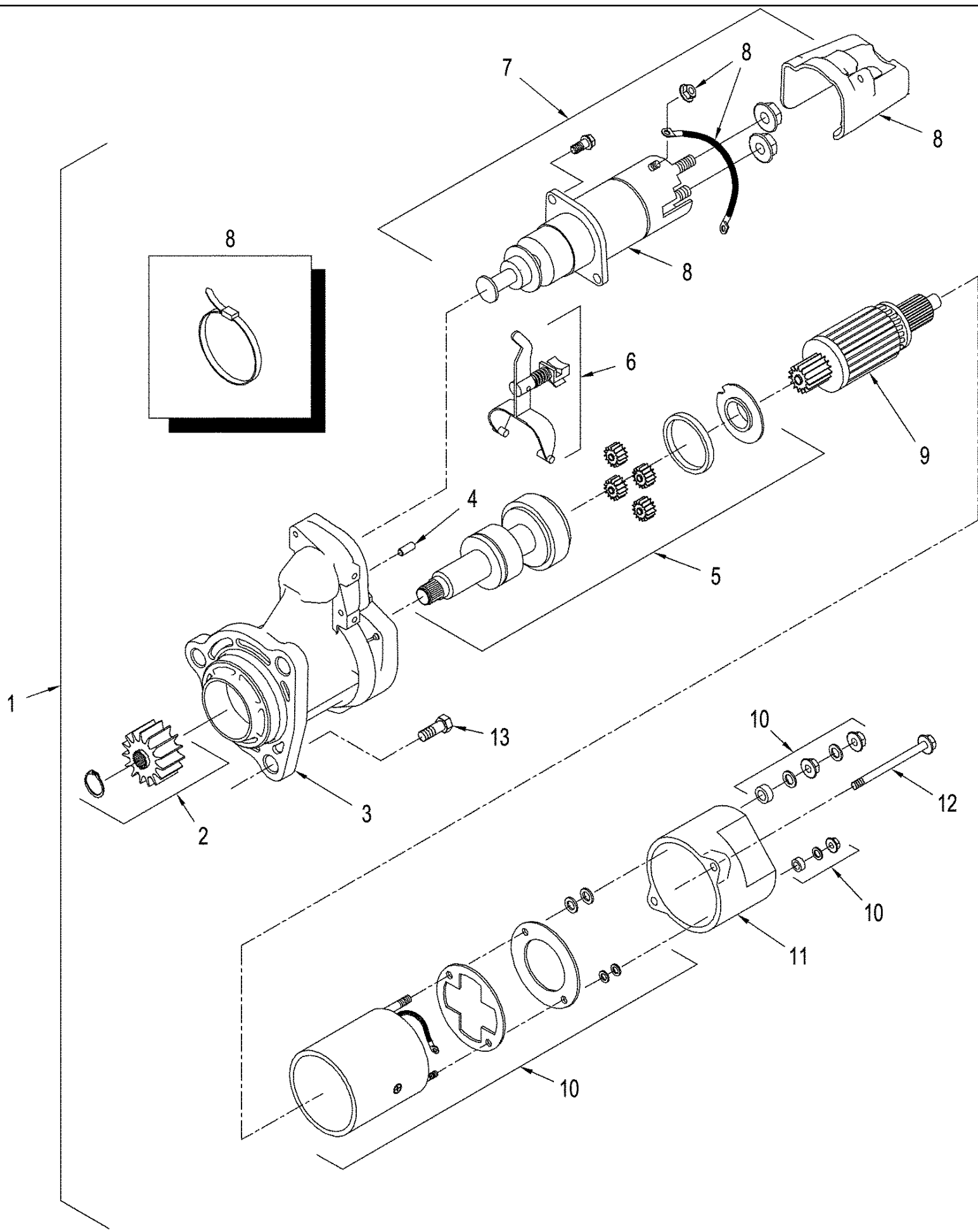


STX530 CASE IH 4WD TRACTOR (BTW Z6F100023 - Z6F105001)

04-08 ALTERNATOR - MOUNTING, STX & STEIGER 480 / 530

сылка	Номер детали	Кол-во	Описание
1	87439313	1	ALTERNATOR, 150 Amp
1	87677208	1	ALTERNATOR, 175 Amp
2	87439321	1	PULLEY, Alternator, Used with Cummins 15L Engine
2	87715464	1	PULLEY, Alternator, Used with Iveco 13L Engines
3	87366407	1	BELT, Accessory Drive, Alternator & A/C
4	NSS	1	NOT SERVICED SEPARATELY, Bolt, Mounting, Order from Your Cummins Engine Dealer
5	NSS	1	NOT SERVICED SEPARATELY, Nut, Flange, Order from Your Cummins Engine Dealer
6	NSS	1	NOT SERVICED SEPARATELY, Bracket, Support, Order from Your Cummins Engine Dealer
7	NSS	1	NOT SERVICED SEPARATELY, Bolt, Order from Your Cummins Engine Dealer
8	NSS	1	NOT SERVICED SEPARATELY, Bolt, Order from Your Cummins Engine Dealer
9	NSS	4	NOT SERVICED SEPARATELY, Nut, Order from Your Cummins Engine Dealer
10	NSS	1	NOT SERVICED SEPARATELY, Nut, Order from Your Cummins Engine Dealer
11	87612406	1	KIT, Alternator Screen, Inc. 12 - 14
12	NSS	1	NOT SERVICED SEPARATELY, Screen, Debris, Front
13	NSS	1	NOT SERVICED SEPARATELY, Screen Debris, Rear
14	NSS	4	NOT SERVICED SEPARATELY, Screw

04-09 STARTER ASSEMBLY

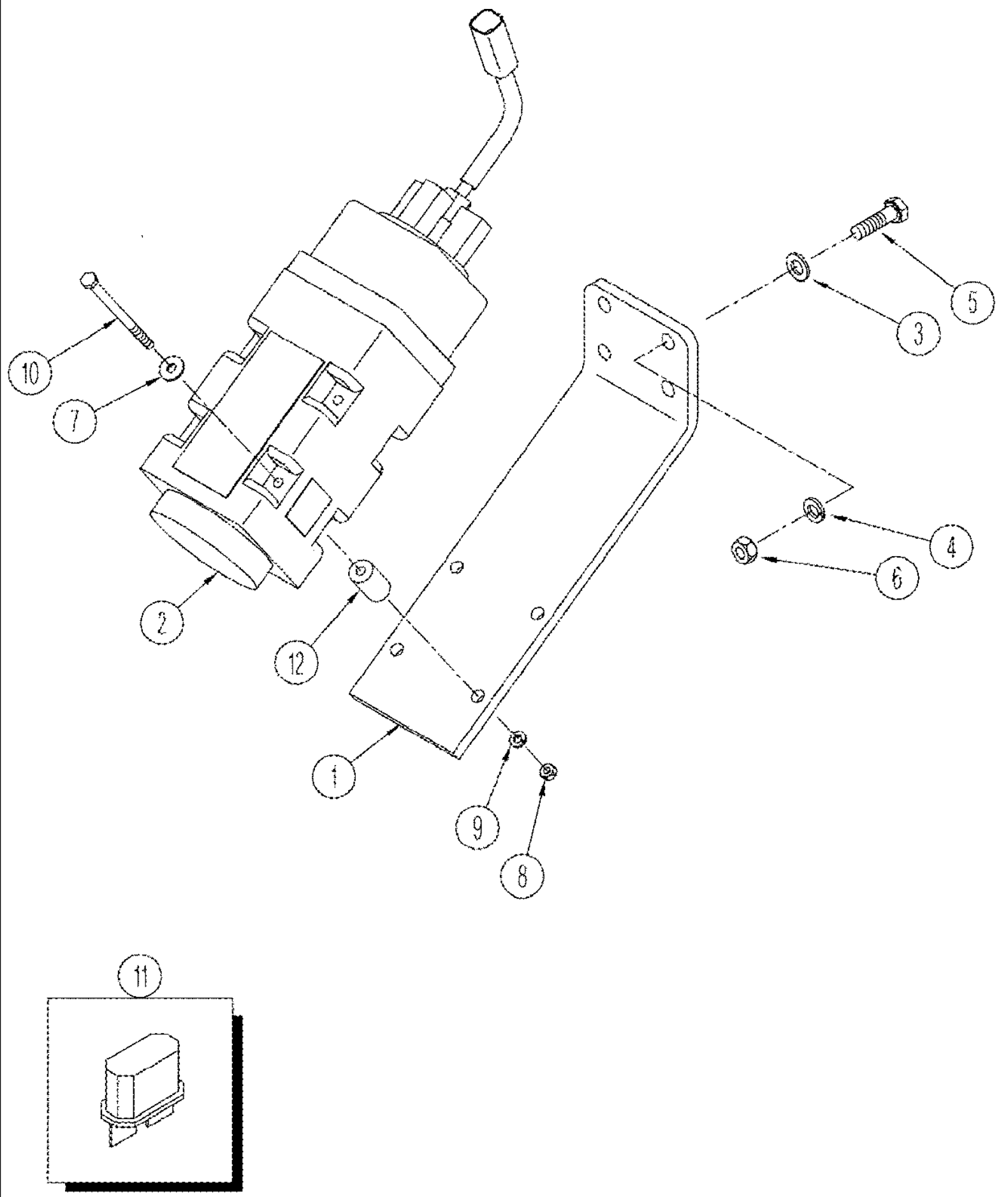


STX530 CASE IH 4WD TRACTOR (BTW Z6F100023 - Z6F105001)

04-09 STARTER ASSEMBLY

сылка	Номер детали	Кол-во	Описание
1	87439325	1	MOTOR, STARTER, 24V, 39MT-HD, Delco Remy, Inc. 2 - 12
2	87429796	1	PINION, Assy.
3	NSS	1	NOT SERVICED SEPARATELY, Housing
4	NSS	1	NOT SERVICED SEPARATELY, Pin, Roll
5	87429799	1	DRIVE ASSY., Without Pinion Kit
6	87429793	1	LEVER ASSY.,
7	87429797	1	SOLENOID, 24V, With Jump Start Shield
8	87454482	1	KIT, FIP, Jump Start
9	87429802	1	ARMATURE, 24V
10	87429794	1	BRUSH ASSY., 24V
11	87429800	1	HOUSING, Communicator End
12	87429804	2	BOLT,
13	NSS	3	NOT SERVICED SEPARATELY, Bolt, Mounting, 2" x 1/16", Gr 8.8, Order from Your Cummins Engine Dealer

04-10 GROUND SPEED SENSOR

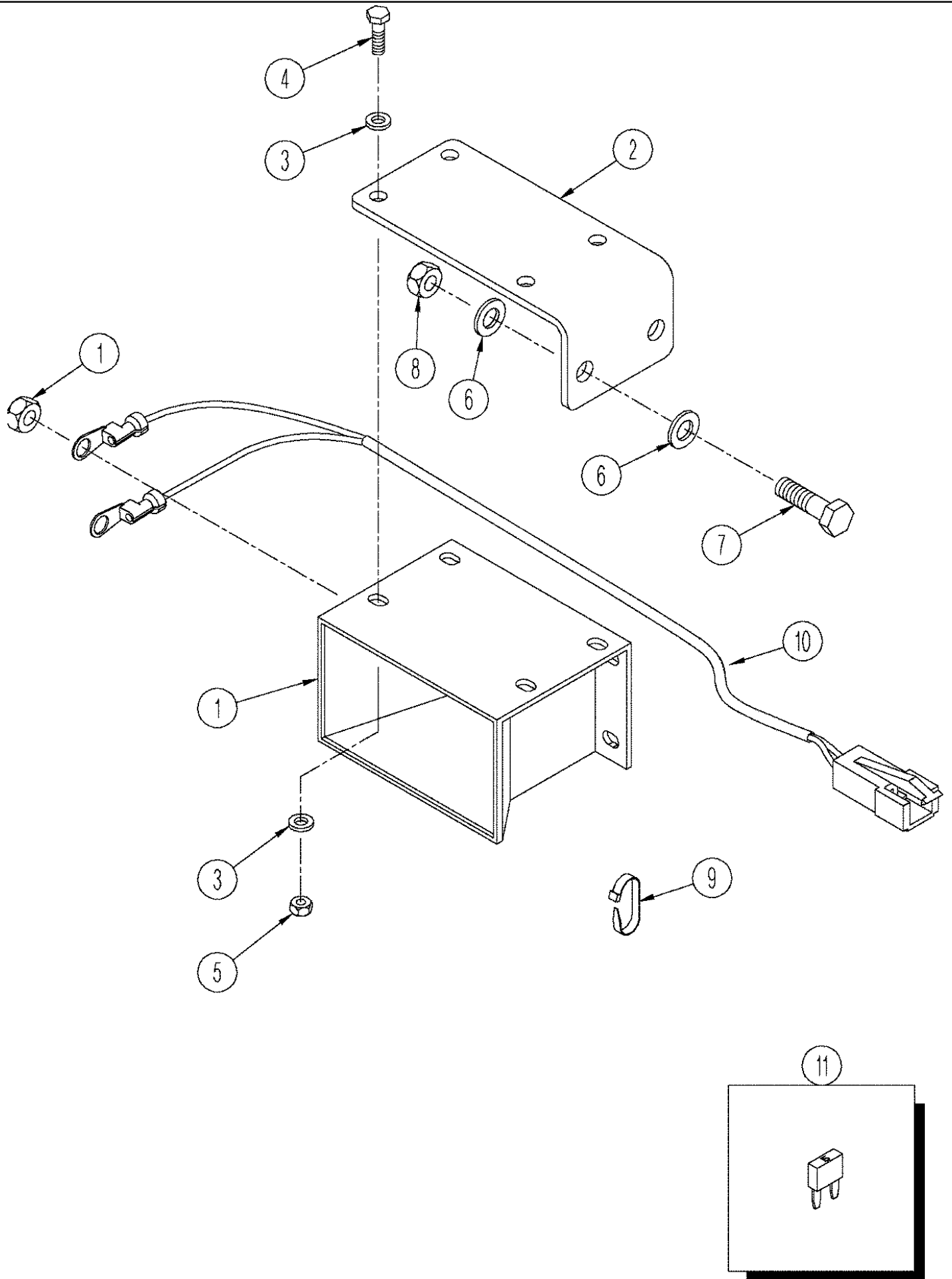


STX530 CASE IH 4WD TRACTOR (BTW Z6F100023 - Z6F105001)

04-10 GROUND SPEED SENSOR

сылка	Номер детали	Кол-во	Описание
	334233A1	1	KIT, Ground Speed Sensor, Inc. 1 - 12
1	414936A1	1	BRACKET, Bracket, Radar Mounting
2	228760A1	1	RADAR, Ground Speed
3	895-11010	4	WASHER, M10 x 20 x 2,
4	892-11010	4	WASHER, LOCK, M10,
5	627-10035	4	BOLT, Hex, M10 x 35, 10.9, Full Thd,
6	829-1410	4	NUT, M10, CI 10,
7	895-25006	4	WASHER, M6 x 18 x 1.6,
8	829-1406	4	NUT, M6, CI 10,
9	892-11006	4	WASHER, LOCK, M6,
10	827-6100	4	BOLT, Hex, M6 x 100, 10.9,
11	121412A1	1	FUSE, 10 Amp
12	414937A1	4	SPACER,

04-11 ALARM - BACK-UP

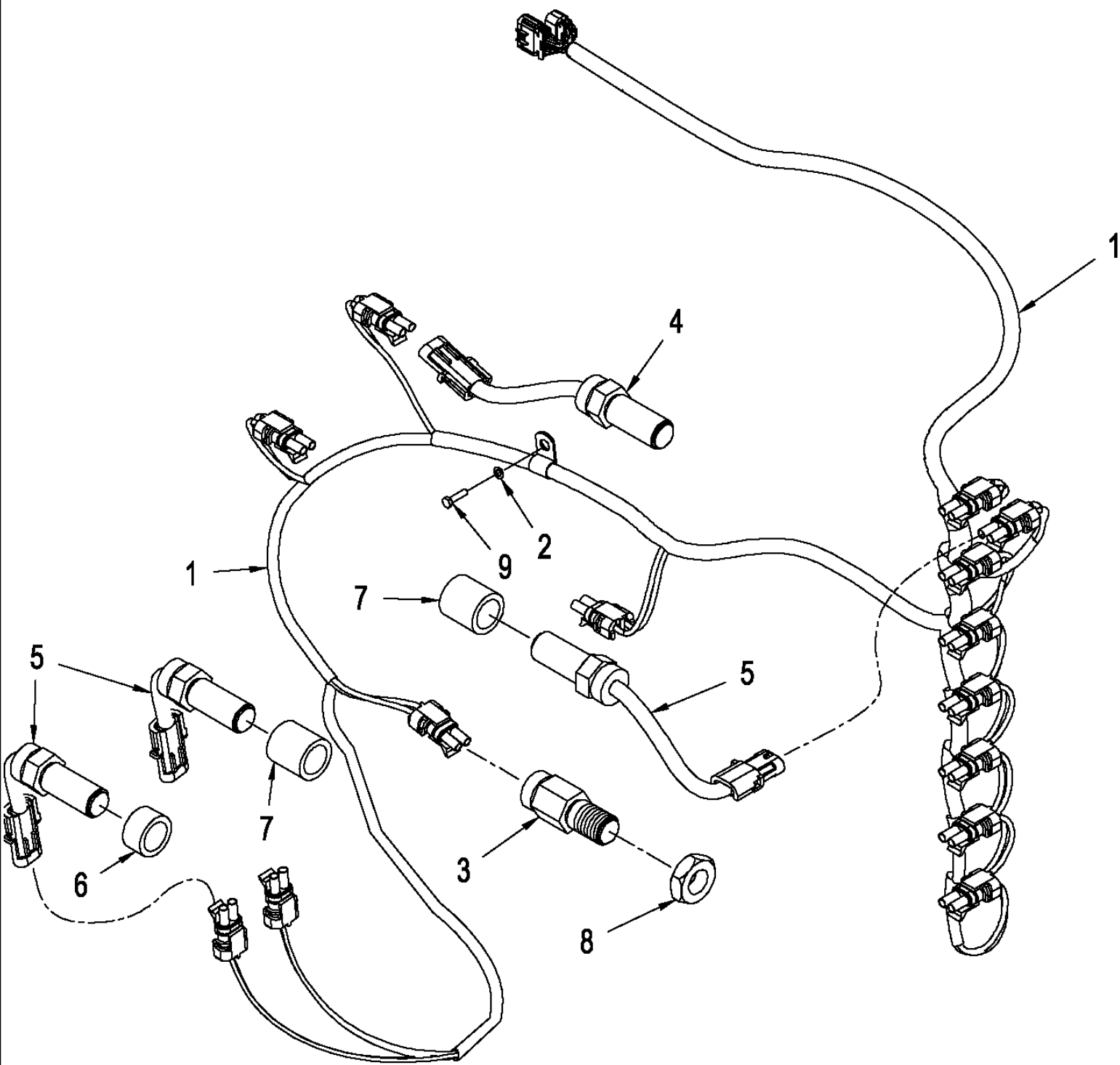


STX530 CASE IH 4WD TRACTOR (BTW Z6F100023 - Z6F105001)

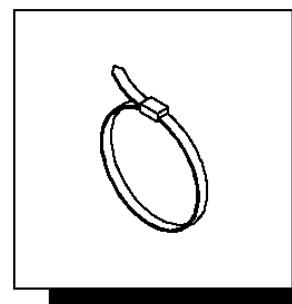
04-11 ALARM - BACK-UP

сылка	Номер детали	Кол-во	Описание
1	D121972	1	ALARM, Inc. Nuts
2	440134A1	1	BRACKET, Mounting, Alarm Backup
3	896-11006	8	WASHER, M6 x 13 x 2, HT,
4	627-6020	4	BOLT, Hex, M6 x 20, 10.9,
5	829-1406	4	NUT, M6, CI 10,
6	895-11010	4	WASHER, M10 x 20 x 2,
7	627-10040	2	BOLT, Hex, M10 x 40, 10.9, Full Thd,
8	829-1410	2	NUT, M10, CI 10,
9	22-824	2	STRAP, CABLE, 3/16" x 7 1/4",
10	391364A1	1	HARNESS, Alarm Backup
11	121410A1	1	FUSE, 5 Amp

04-12 HARNESS - TRANSMISSION, POWER SHIFT



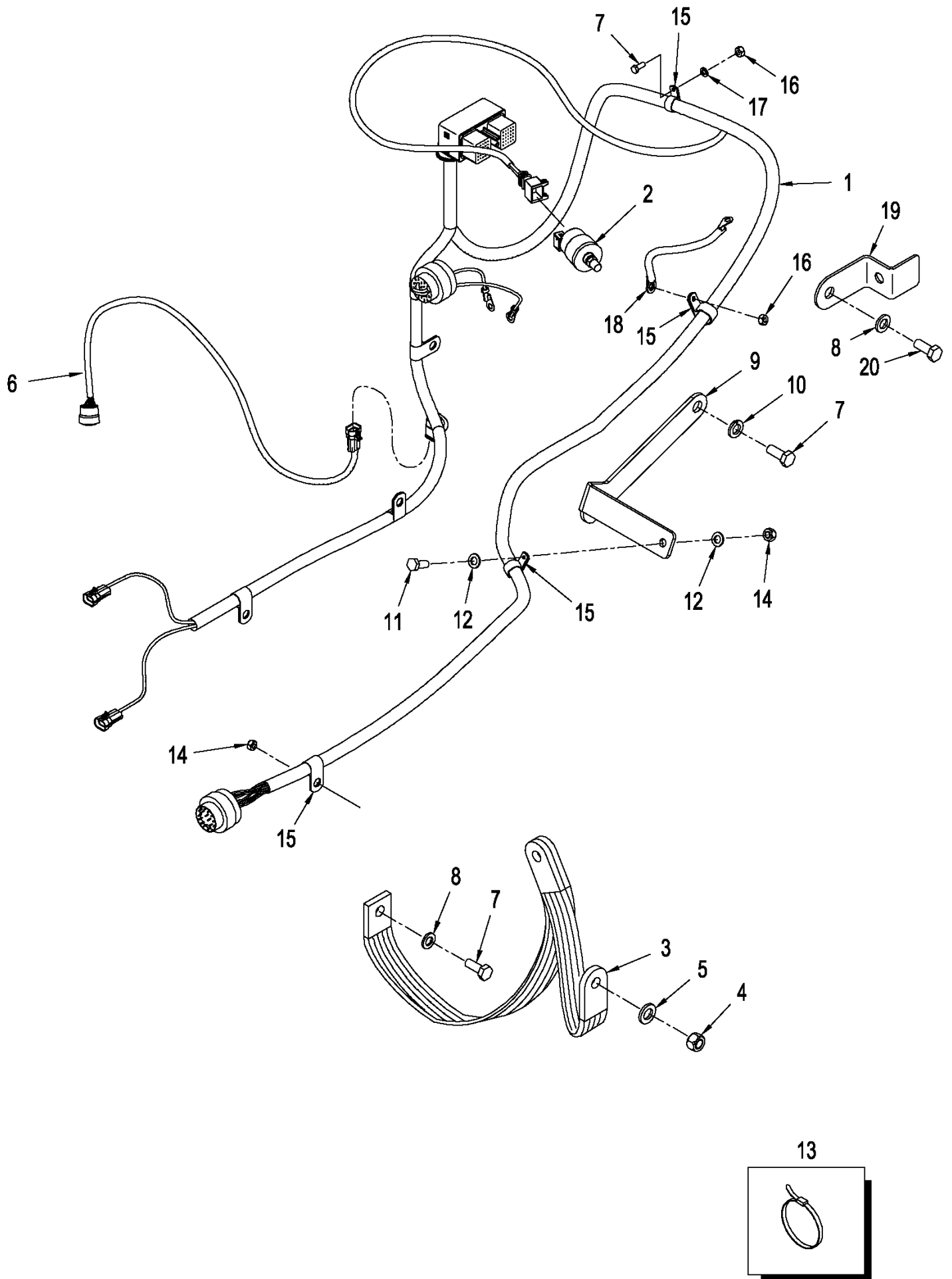
10



STX530 CASE IH 4WD TRACTOR (BTW Z6F100023 - Z6F105001)

04-12 HARNESS - TRANSMISSION, POWER SHIFT

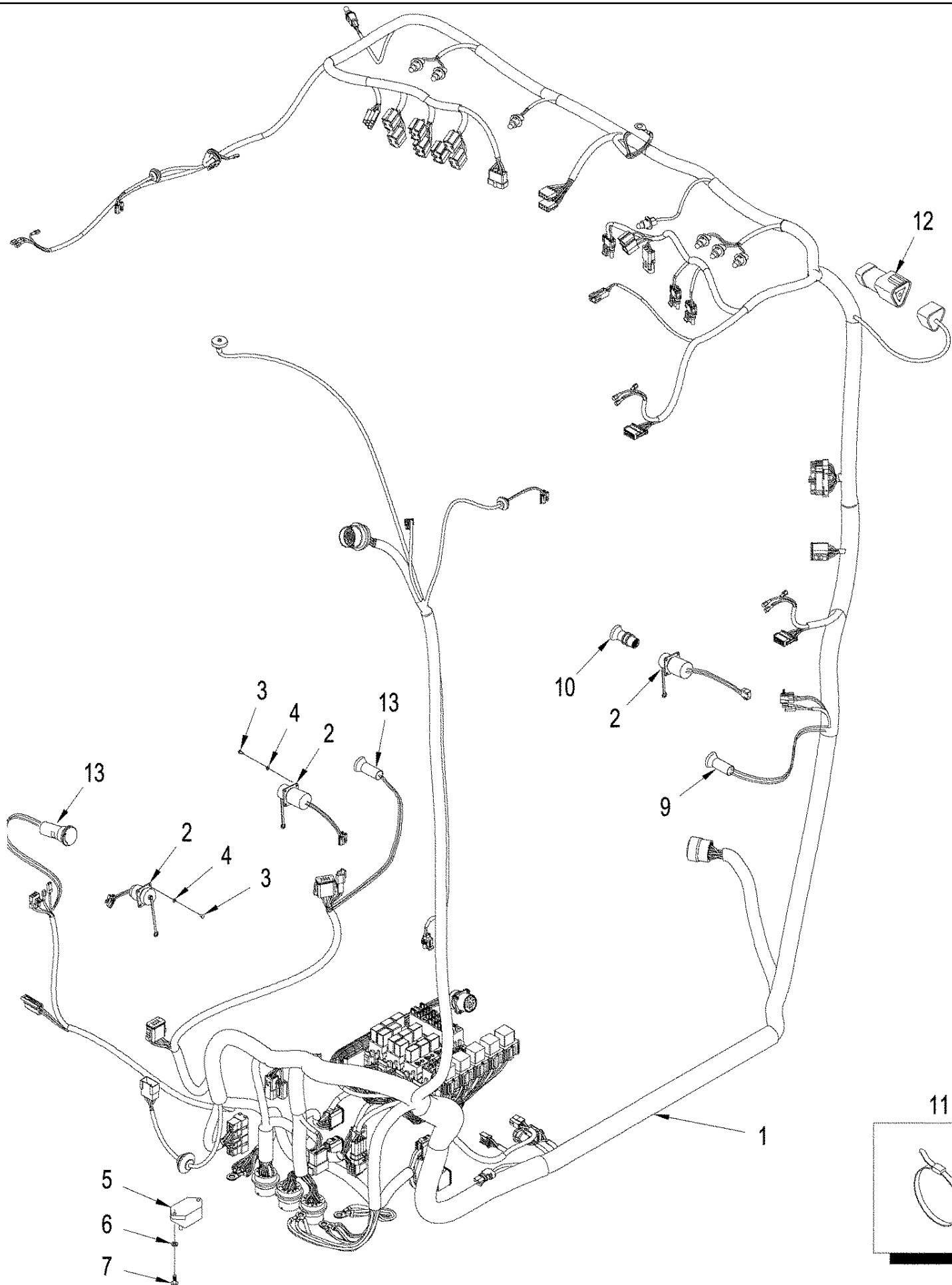
сылка	Номер детали	Кол-во	Описание
1	87332140	1	HARNESS, Transmission, Powershift
2	895-11008	2	WASHER, M8 x 16 x 1.6,
3	A186004	1	SENSOR, For MPH in Output Shaft Housing
4	86987513	1	SENSOR, Pressure
5	87449451	3	SENSOR, Gear Speed
6	87351750	1	SPACER, 29.385 mm
7	87351748	2	SPACER, 15.217 mm
8	934120R1	4	NUT, Thin, M20 x 1.5,
9	627-8016	2	BOLT, Hex, M8 x 16, 10.9,
10	L18331	3	STRAP, CABLE,



STX530 CASE IH 4WD TRACTOR (BTW Z6F100023 - Z6F105001)

04-14 HARNESS - ENGINE, STX & STEIGER 480 / 530

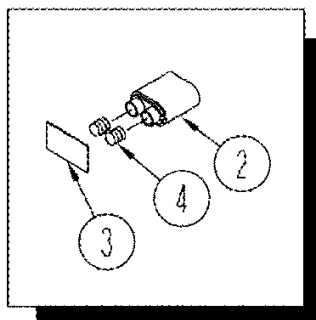
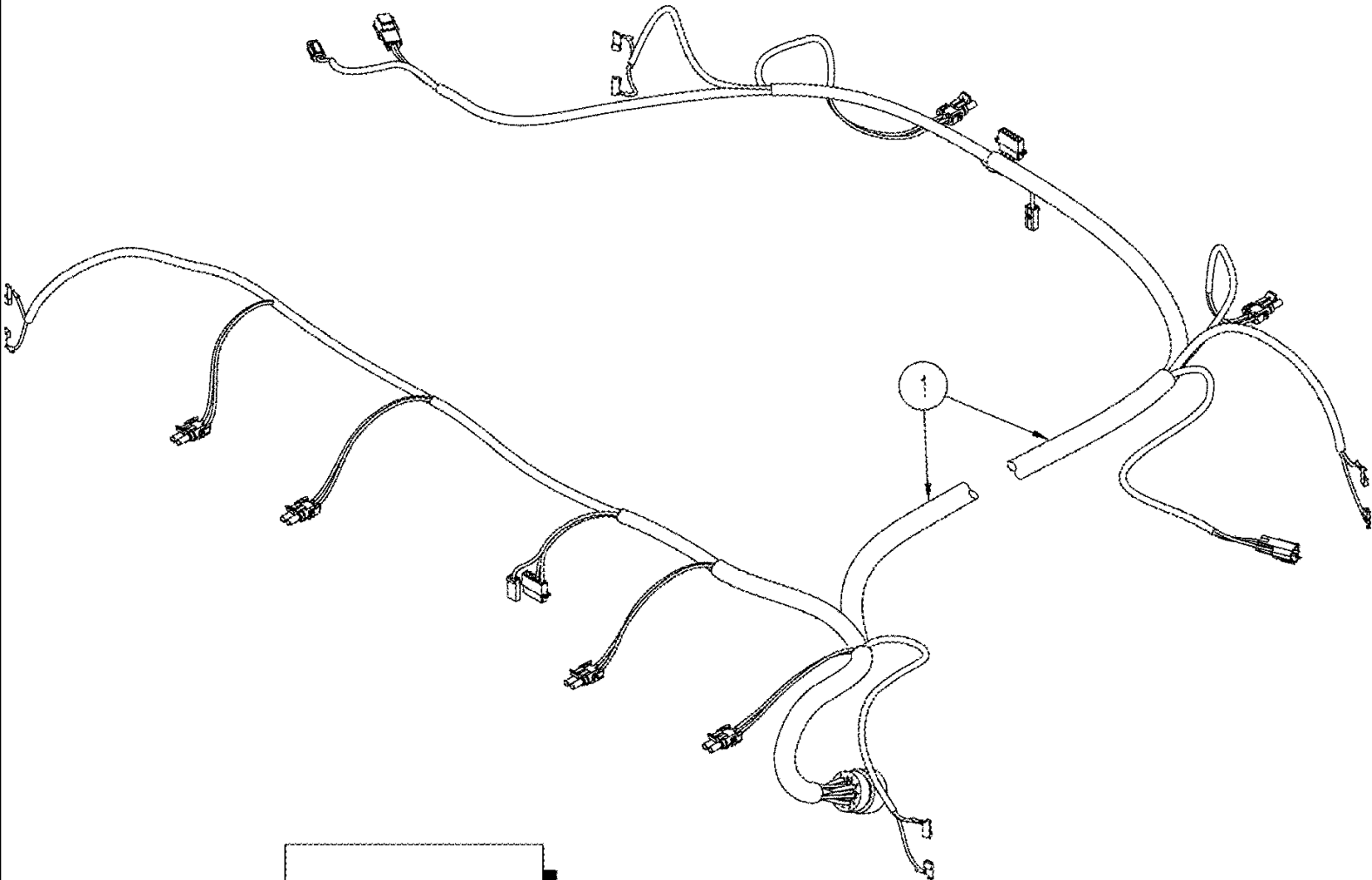
сылка	Номер детали	Кол-во	Описание
1	87325747	1	HARNESS, Engine
2	293797A1	1	SWITCH, RESTRICTION, Air Restriction
3	87397281	1	STRAP, GROUND, Ground Starter to Engine to Chassis
4	829-1412	1	NUT, M12, CI 10,
5	896-11012	1	WASHER, M13.5 x 24.5 x 3, HT,
6	87308658	1	HARNESS, Fan Drive
7	627-10025	6	BOLT, Hex, M10 x 25, 10.9, Full Thd,
8	895-11010	1	WASHER, M10 x 20 x 2,
9	87422995	1	BRACKET, Support, Engine Harness
10	892-11012	2	WASHER, LOCK, M12,
11	627-8020	3	BOLT, Hex, M8 x 20, 10.9,
12	895-11008	4	WASHER, M8 x 16 x 1.6,
13	L11541	AR	STRAP, CABLE, 7 - 8"
14	829-1408	2	NUT, M8, CI 10,
15	515-23254	5	CLAMP, 1", Insul, 3/8" Bolt,
16	829-1410	3	NUT, M10, CI 10,
17	892-11010	3	WASHER, LOCK, M10,
18	87353517	1	CABLE, GROUND, A/C Compressor
19	87676921	1	Support, Engine Harness
20	844-10025	2	BOLT, Hex Flg, M10 x 25, 8.8, Full Thd,



STX530 CASE IH 4WD TRACTOR (BTW Z6F100023 - Z6F105001)

04-15 HARNESS - MAIN CAB, DELUXE AND LUXURY CABS

сылка	Номер детали	Кол-во	Описание
	87366657	1	MODULE, Electronics, Inc. 1, See Figure: 04-23, With Power Shift Transmission, BSN Z6F105001
	87601586	1	MODULE, Electronics, Inc. 1, See Figure: 04-23, With Power Shift Transmission, ASN Z6F105001
	87366658	1	MODULE, Electronics, Inc. 1, See Figure: 04-23, With Manual Shift Transmission, BSN Z6F105001
	87601587	1	MODULE, Electronics, Inc. 1, See Figure: 04-23, With Manual Shift Transmission, ASN Z6F105001
1	NSS	1	NOT SERVICED SEPARATELY, Harness, Main Cab
2	227739A2	3	CONNECTOR, ELEC, Power
3	383986A1	12	RIVET,
4	895-11003	12	WASHER, M3,
5	20-2041T2	1	CIRCUIT BREAKER,
6	895-11006	2	WASHER, M6,
7	840-1620	2	SCREW, Cross Pan Hd, M6 x 20,
8	87541092	1	SWITCH, Differential Lock Brake, Not Illustrated
9	87452321	1	OUTLET, Power
10	388810A1	1	ELEMENT, Pop-Out Lighter, If used
11	L18331	7	STRAP, CABLE, 7"
12	84058092	1	CONNECTOR, TERMINAL,
13	388813A1	2	OUTLET, Power
14	388811A1	1	LIGHTER, CIGARETTE, Not Illustrated

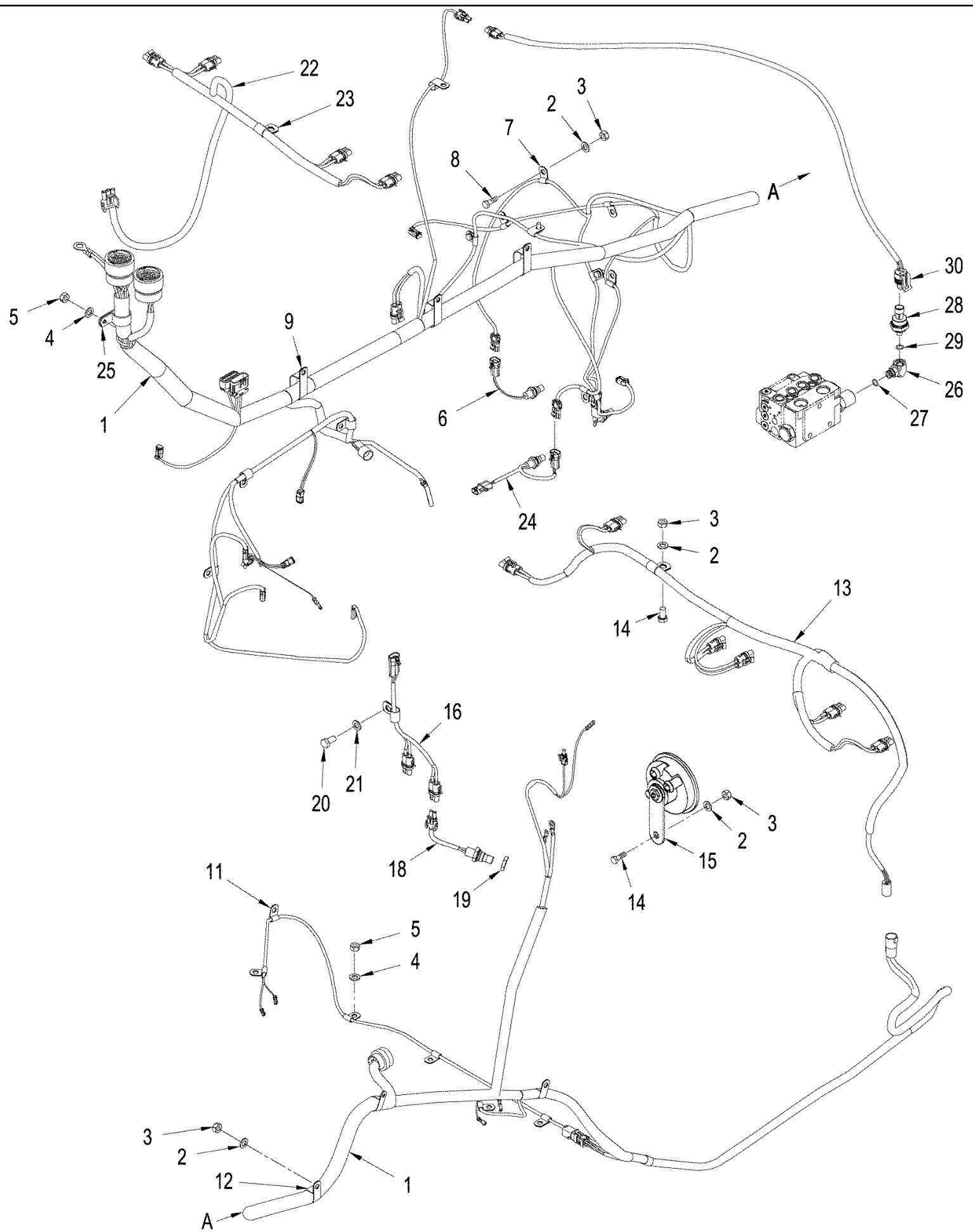


STX530 CASE IH 4WD TRACTOR (BTW Z6F100023 - Z6F105001)

04-16 HARNESS - CAB ROOF

сылка	Номер детали	Кол-во	Описание
1	373457A1	1	HARNESS, Cab Roof
2	245483C1	2	CONNECTOR, ELEC, Two Cavity, Used without Field Lights
3	392149A1	4	DECAL, Used without Field Lights
4	225127C1	2	PLUG, Type V4

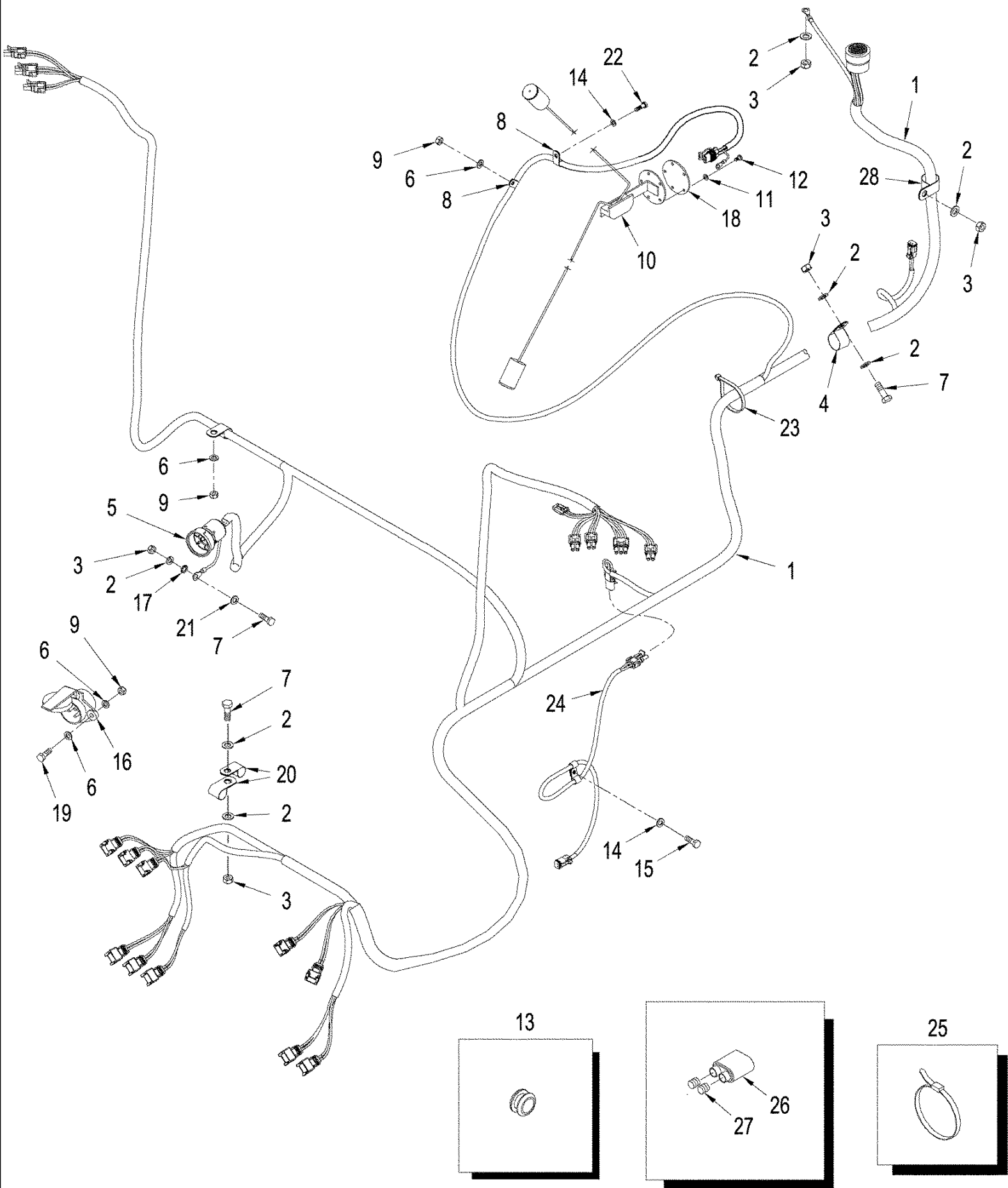
04-17 HARNESS - FRONT FRAME



STX530 CASE IH 4WD TRACTOR (BTW Z6F100023 - Z6F105001)

04-17 HARNESS - FRONT FRAME

сылка	Номер детали	Кол-во	Описание
1	87332559	1	HARNESS, Front Frame, BSN Z6F105001
1	87550731	1	HARNESS, Front Frame, ASN Z6F105001
1	87363429	1	Front Frame, Europe Application
2	895-11008	13	WASHER, M8 x 16 x 1.6,
3	829-1408	10	NUT, M8, CI 10,
4	895-11010	5	WASHER, M10 x 20 x 2,
5	829-1410	4	NUT, M10, CI 10,
6	330124A1	1	SWITCH, Tempature, Axle Lube
7	515-2595	1	CLAMP, 3/8", Insul, 1/2" Bolt,
8	614-8016	3	BOLT, Hex, M8 x 16, 8.8,
9	L111928	5	CLAMP, Double
10	435437A1	2	STRAP, CABLE, 3/16" x 7 1/4",
10	L11541	2	STRAP, CABLE, Steering Harness
11	515-2395	1	CLAMP, 3/8", Insul, 3/8" Bolt,
12	515-23270	1	CLAMP, 1 1/16", Insul, 3/8" Bolt,
13	87337669	1	HARNESS, Light Bar, STX480 / 530, STEIGER 480 / 530
13	87337671	1	HARNESS, Light Bar, STX380 / 430, STEIGER 380 / 430
14	614-6025	2	BOLT, Hex, M6 x 25, 8.8,
15	237582A1	1	HORN, FC9
16	87332146	1	HARNESS, Tranmission, Manual
17	87450246	1	HARNESS, Tranmission, Power Shift, Not Illustrated
18	A186004	1	SENSOR, Transmission Gear Speed
19	934120R1	1	NUT, Thin, M20 x 1.5,
20	614-12016	1	BOLT, Hex, M12 x 16, 8.8, Full Thd,
21	896-11012	1	WASHER, M13.5 x 24.5 x 3, HT,
22	371122A2	1	HARNESS, Lower Wipers
23	515-2295	1	CLAMP, 3/8", Insul, 5/16" Bolt,
24	339529A1	1	SWITCH, PRESSURE, Pressure, Park Brake
25	515-25381	1	CLAMP, 1 1/2", Insul, 1/2" Bolt,
26	87539795	1	ELBOW, 90, M12 or x 14 fc sl
27	637-63093	1	O-RING, CI 6, 9.3MM ID x 2.2 Thk,
28	375644A1	1	SENSOR, Steering Pressure, Inc. 29
29	637-63113	1	O-RING, CI 6, 11.3MM ID x 2.2 Thk,
30	87551744		HARNESS, WIRE, Steering Pressure Sensor

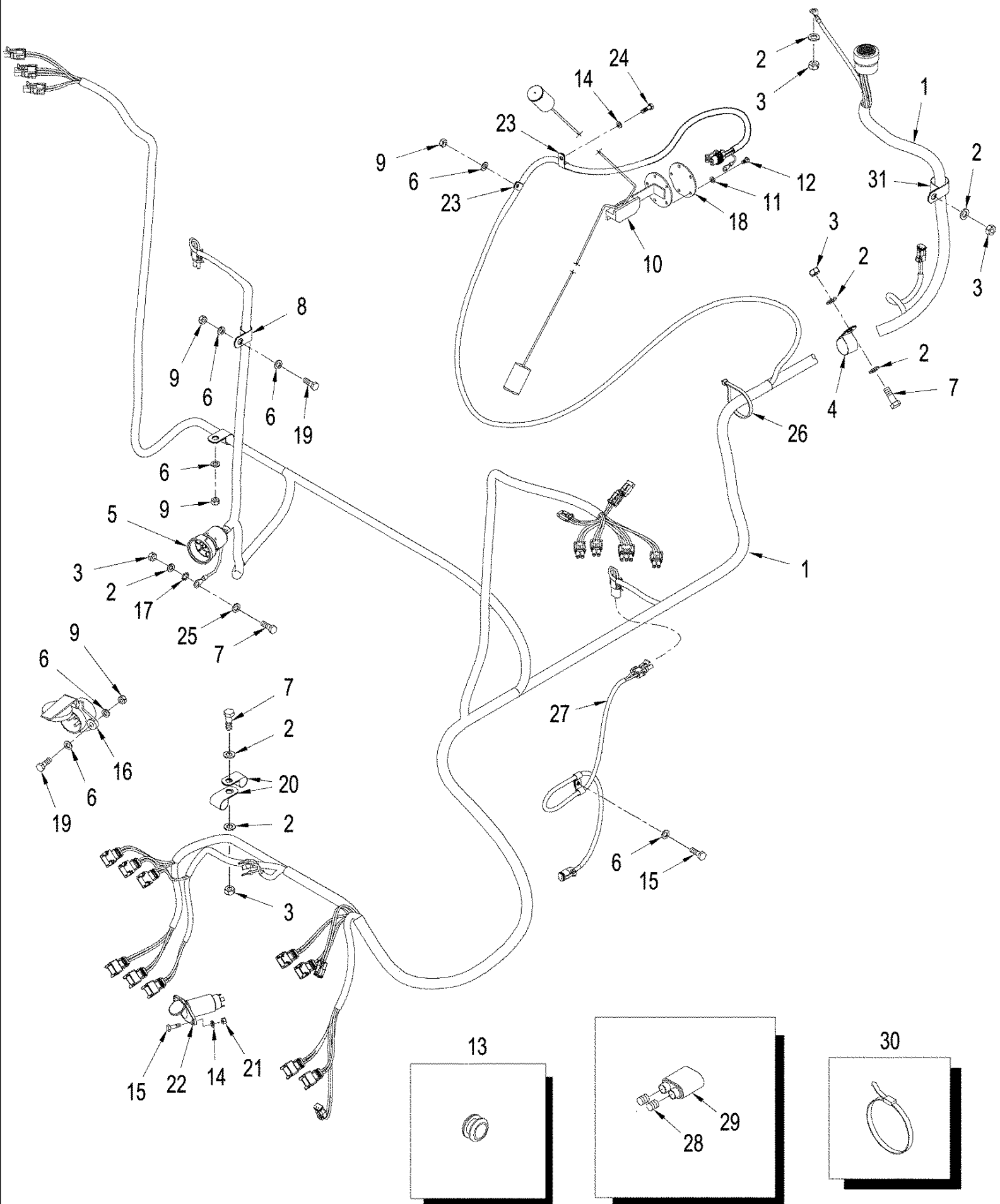


STX530 CASE IH 4WD TRACTOR (BTW Z6F100023 - Z6F105001)

04-18 HARNESS - REAR FRAME, WITH ELECTRONIC REMOTE, WITHOUT THREE POINT HITCH

сылка	Номер детали	Кол-во	Описание
1	87354881	1	HARNESS, Rear Frame
2	895-11010	8	WASHER, M10 x 20 x 2,
3	829-1410	8	NUT, M10, CI 10,
4	515-23381	2	CLAMP, 1 1/2", Insul, 3/8" Bolt,
5	481849C1	1	COVER,
6	895-11008	12	WASHER, M8 x 16 x 1.6,
7	614-10030	4	BOLT, Hex, M10 x 30, 8.8,
8	515-23127	2	CLAMP, 1/2", Insul, 3/8" Bolt,
9	829-1408	9	NUT, M8, CI 10,
10	87434676	1	SENDER UNIT, Fuel Level, Inc. 18
11	895-11005	6	WASHER, M5 x 10 x 1,
12	614-5010	6	BOLT, Hex, M5 x 10, 8.8, Full Thd,
13	328265A1	3	GROMMET,
14	895-11006	1	WASHER, M6,
15	614-6020	4	BOLT, Hex, M6 x 20, 8.8,
16	121645C1	1	SOCKET/RECEPTACLE,
17	893-11010	1	WASHER, LOCK, Ext Tooth, M10,
18	104812C3	1	GASKET, Fuel Level Sender
19	627-8025	4	BOLT, Hex, M8 x 25, 10.9,
20	515-2595	1	CLAMP, 3/8", Insul, 1/2" Bolt,
21	892-11010	1	WASHER, LOCK, M10,
22	614-6012	1	BOLT, Hex, M6 x 12, 8.8,
23	440567A1	1	CABLE ASSY., Tie
24	392227A1	1	HARNESS, Differential Lock
25	435437A1	2	STRAP, CABLE, 3/16" x 7 1/4",
28	515-25254	1	CLAMP, 1", Insul, 1/2" Bolt,
26	245483C1	4	CONNECTOR, ELEC, Two Cavity, Without Field Lights
27	225127C1	8	PLUG, Type V4
28	515-25254	1	CLAMP, 1", Insul, 1/2" Bolt,

04-19 HARNESS - REAR FRAME, WITH ELECTRONIC REMOTE AND THREE POINT HITCH

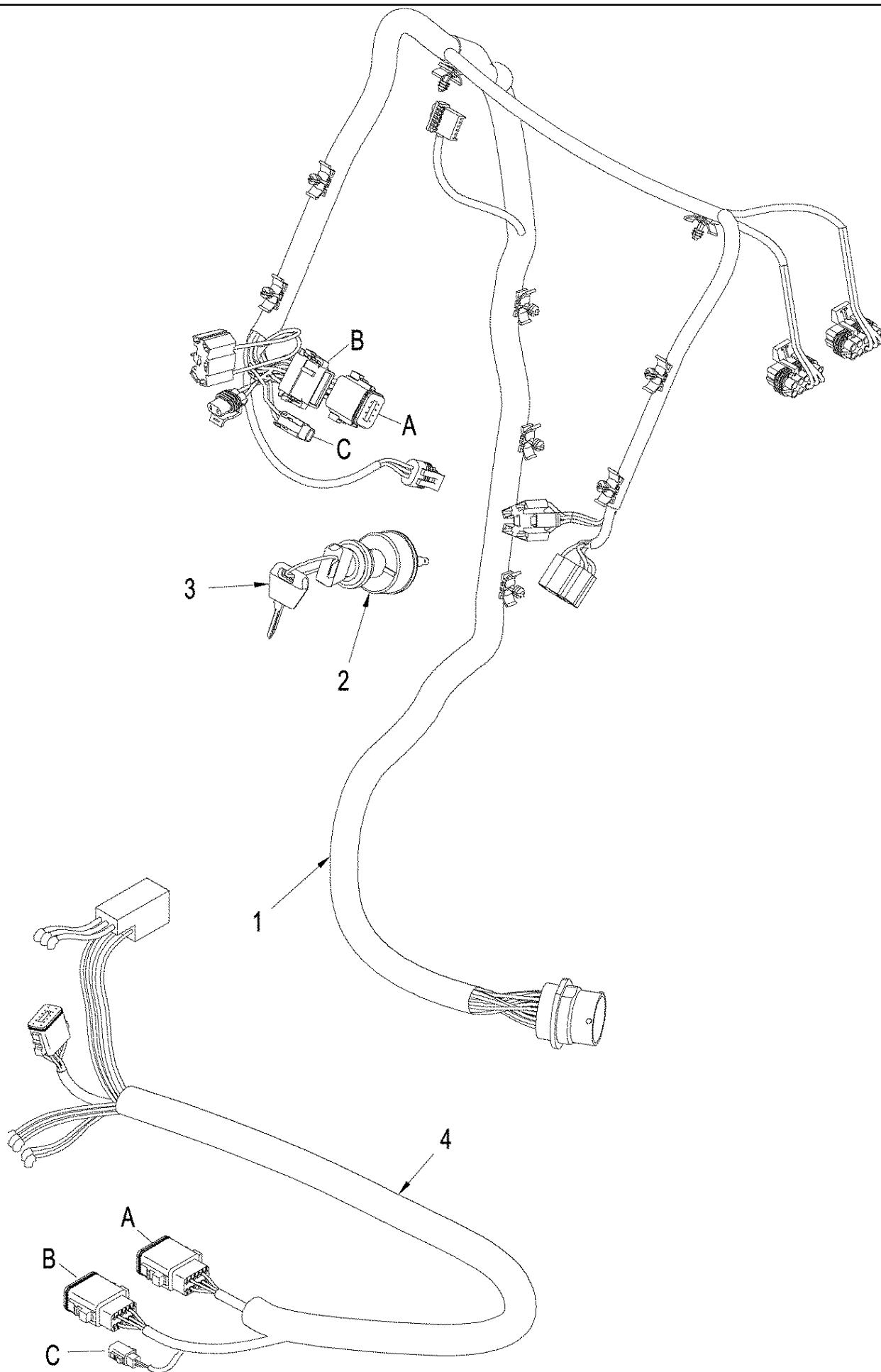


STX530 CASE IH 4WD TRACTOR (BTW Z6F100023 - Z6F105001)

04-19 HARNESS - REAR FRAME, WITH ELECTRONIC REMOTE AND THREE POINT HITCH

сылка	Номер детали	Кол-во	Описание
1	87354879	1	HARNESS, Rear Frame
2	895-11010	8	WASHER, M10 x 20 x 2,
3	829-1410	8	NUT, M10, CI 10,
4	515-23381	2	CLAMP, 1 1/2", Insul, 3/8" Bolt,
5	481849C1	1	COVER,
6	895-11008	12	WASHER, M8 x 16 x 1.6,
7	614-10030	4	BOLT, Hex, M10 x 30, 8.8,
8	515-2495	1	CLAMP, 3/8", Insul, 7/16" Bolt,
9	829-1408	10	NUT, M8, CI 10,
10	87434676	1	SENDER UNIT, Fuel Level, Inc. 18
11	895-11005	6	WASHER, M5 x 10 x 1,
12	614-5010	5	BOLT, Hex, M5 x 10, 8.8, Full Thd,
13	328265A1	3	GROMMET,
14	895-11006	3	WASHER, M6,
15	614-6020	2	BOLT, Hex, M6 x 20, 8.8,
16	121645C1	1	SOCKET/RECEPTACLE,
17	893-11010	1	WASHER, LOCK, Ext Tooth, M10,
18	104812C3	1	GASKET, Fuel Level Sender
19	627-8025	5	BOLT, Hex, M8 x 25, 10.9,
20	515-2595	1	CLAMP, 3/8", Insul, 1/2" Bolt,
21	829-1406	2	NUT, M6, CI 10,
22	367322A1	1	CONNECTOR, Remote, Three Point Hitch
23	515-23127	2	CLAMP, 1/2", Insul, 3/8" Bolt,
24	614-6012	1	BOLT, Hex, M6 x 12, 8.8,
25	892-11010	1	WASHER, LOCK, M10,
26	440567A1	1	CABLE ASSY.,
27	392227A1	1	HARNESS, Differential Lock
28	225127C1	8	PLUG, Type V4
29	245483C1	4	CONNECTOR, ELEC, Two Cavity, Without Field lights
30	435437A1	2	STRAP, CABLE, 3/16" x 7 1/4", 184 mm (7-1/4")
31	515-25254	1	CLAMP, 1", Insul, 1/2" Bolt,

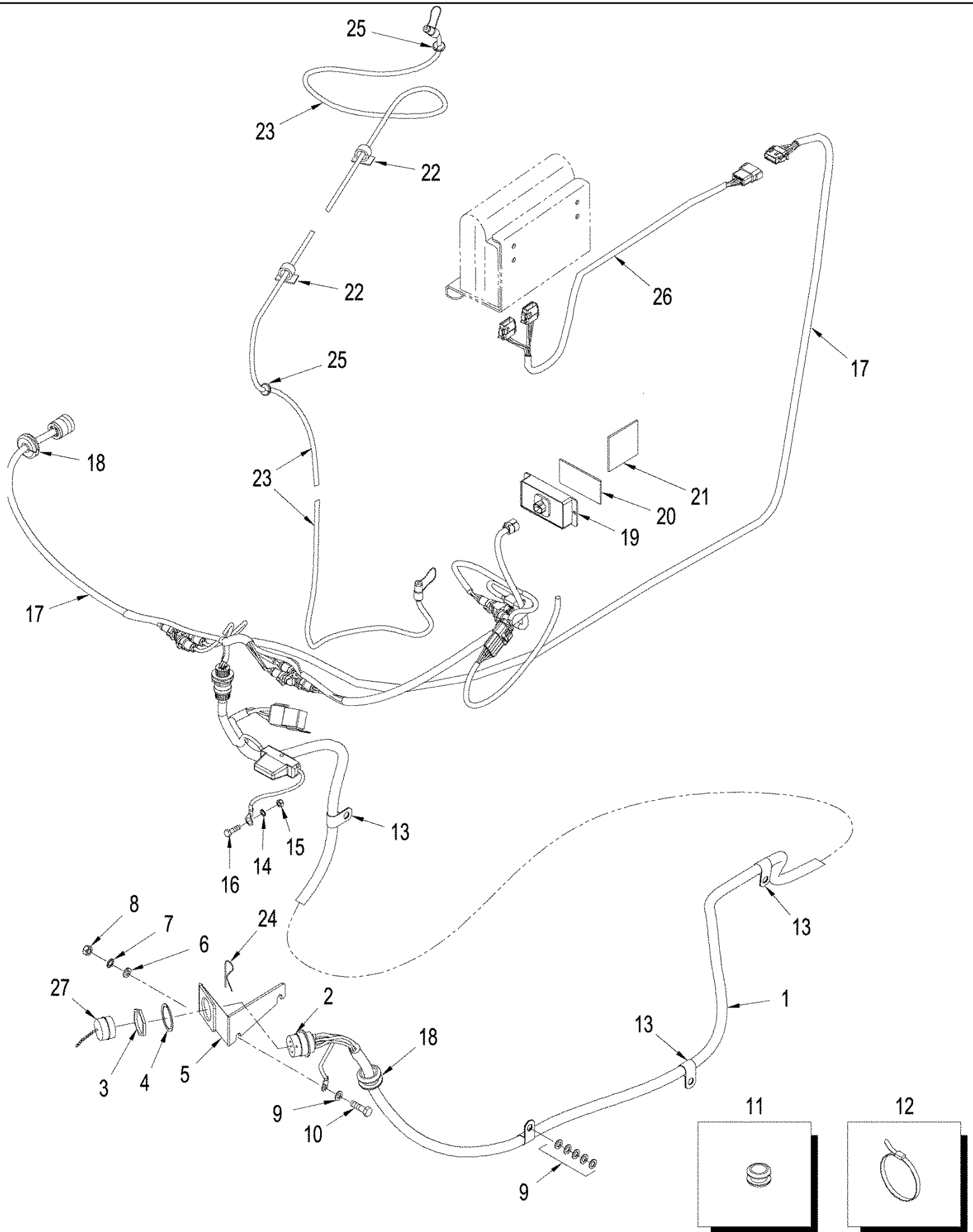
04-20 HARNESS - FRONT CONSOLE



STX530 CASE IH 4WD TRACTOR (BTW Z6F100023 - Z6F105001)

04-20 HARNESS - FRONT CONSOLE

сылка	Номер детали	Кол-во	Описание
1	87332145	1	HARNESS, Front Console, With Manual Shift Transmission
1	87332137	1	HARNESS, Front Console, With Power Shift Transmission
2	363914A1	1	SWITCH, IGNITION, Inc. 3
3	86502201	1	SET OF 2 KEYS, Ignition
	414332A1	1	CONTROL, Transmission, With Self-Cancel, Inc. 4, Also See Figure: 05-02, With Manual Shift Transmission
	86993721	1	CONTROL, Transmission, With Self-Cancel, Inc. 4, Also See Figure: 05-03, With Power Shift Transmission
4	416123A1	1	HARNESS, WIRE, Transmission Control, With Self-Cancel, With Manual Shift Transmission
4	375681A1	1	HARNESS, Transmission Control and Turn Signal Self-Canceling Sensor (Sensor Not Serviced Separately), With Power Shift Transmission

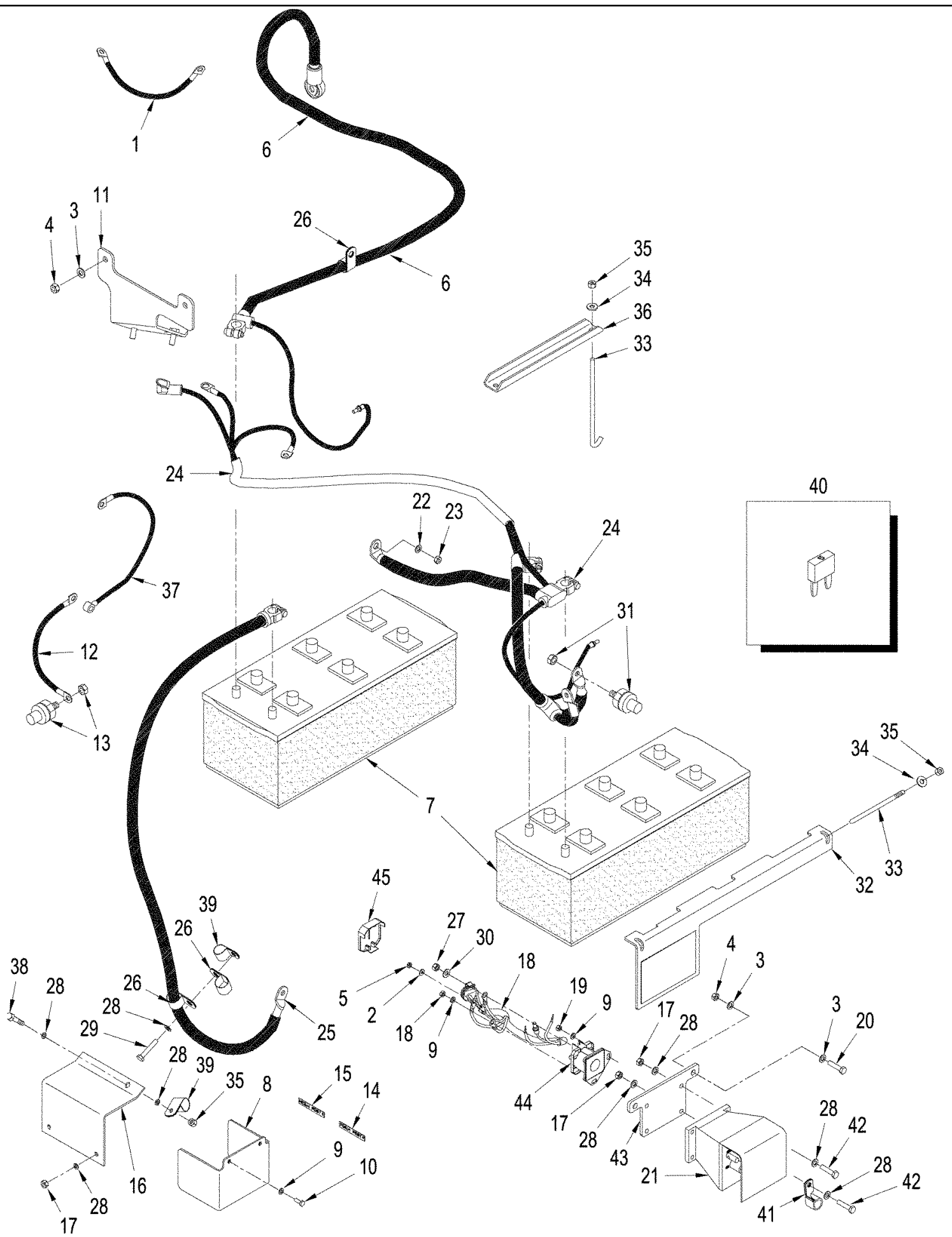


STX530 CASE IH 4WD TRACTOR (BTW Z6F100023 - Z6F105001)

04-21 HARNESS - ADVANCED FARMING SYSTEMS

сылка	Номер детали	Кол-во	Описание
1	405029A2	1	HARNESS, AFS CHASSIS, Rear Frame
2	352506A1	1	CONNECTOR, ELEC, AFS
3	459329C1	1	NUT,
4	459330C1	1	WASHER, LOCK,
5	405387A2	1	PLATE, Mounting, AFS CONNECTOR
6	893-11010	1	WASHER, LOCK, Ext Tooth, M10,
7	892-11010	2	WASHER, LOCK, M10,
8	829-1410	2	NUT, M10, CI 10,
9	895-18010	7	WASHER, M10 x 18 x 1.6,
10	614-10035	2	BOLT, Hex, M10 x 35, 8.8, Full Thd,
11	328265A1	1	GROMMET,
12	435437A1	3	STRAP, CABLE, 3/16" x 7 1/4",
13	515-25190	2	CLAMP, 3/4", Insul, 1/2" Bolt,
14	892-11005	1	WASHER, LOCK, M5,
15	825-1405	1	NUT, M5, CI 8,
16	614-5012	1	BOLT, Hex, M5 x 12, 8.8, Full Thd,
17	87364530	1	HARNESS, Cab
18	248-23108	1	GROMMET, 3/4" ID x 1 7/16" Groove Dia, Str Cut,
19	284638A2	1	CONNECTOR, ELEC,
20	406450A1	2	FASTENER, DUAL LOCK
21	406449A1	2	FASTENER, DUAL LOCK
22	169850C2	2	CLIP, CABLE, Harness
23	405687A1	1	CABLE, Receiver
24	136-157	2	PIN, SPLIT (COTTER), Int, 9/64" x .054",
25	248-2340	2	GROMMET, 3/8" ID x 5/8" Groove Dia, Str Cut,
26	87414764	1	HARNESS, AFS Jumper
27	245041C1	1	CAP, AFS Connector
28	136-157	2	PIN, SPLIT (COTTER), Int, 9/64" x .054",

04-22 BATTERIES



STX530 CASE IH 4WD TRACTOR (BTW Z6F100023 - Z6F105001)

04-22 BATTERIES

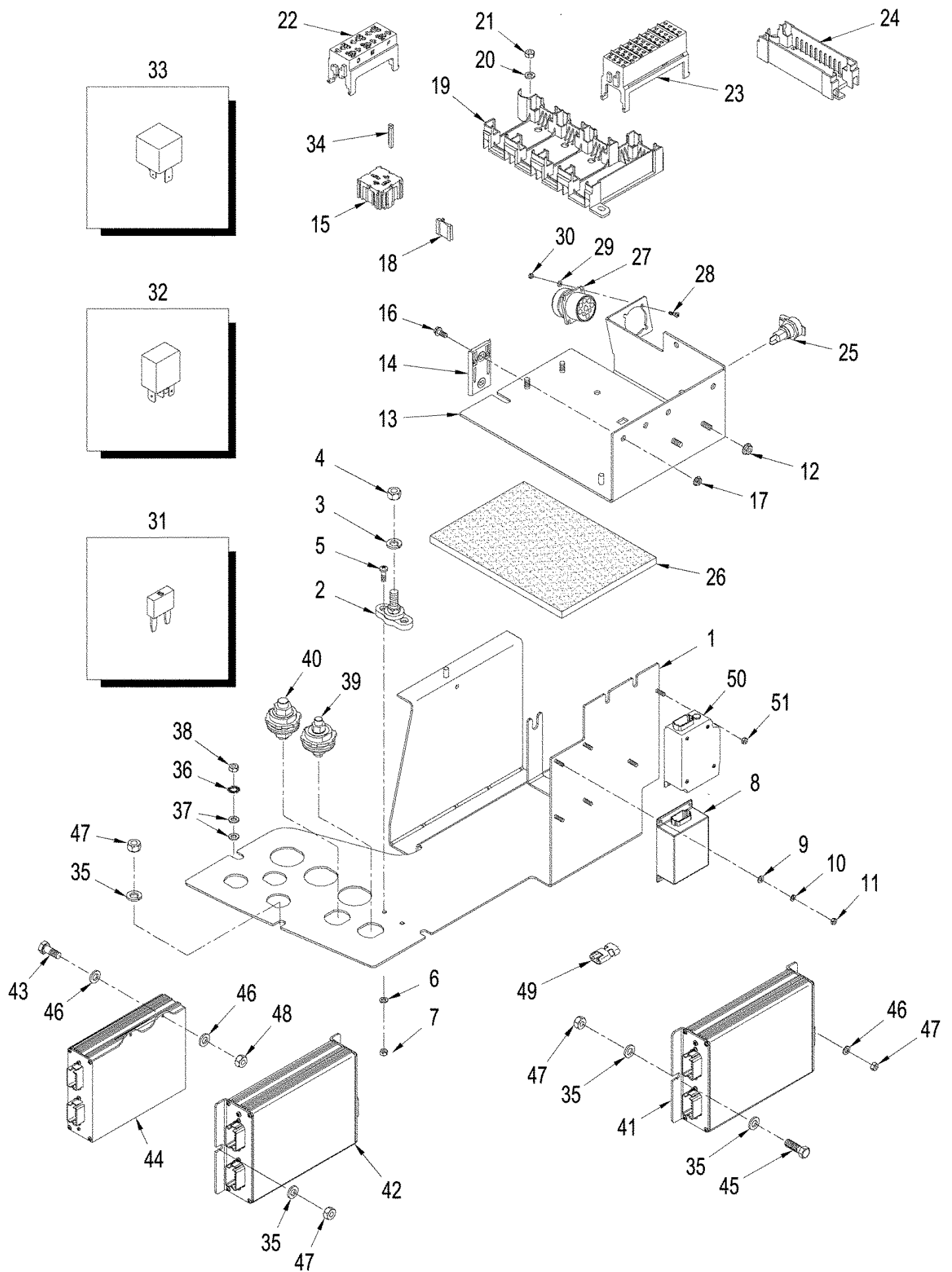
сылка	Номер детали	Кол-во	Описание
1	364590A1	1	CABLE, Circuit Breaker
2	495-31022	1	WASHER, #10,
3	895-11010	6	WASHER, M10 x 20 x 2,
4	829-1410	4	NUT, M10, CI 10,
5	225-14210	1	NUT, #10-32,
6	87439131	1	CABLE, Starter, 24V
7	BCH4DLTW	2	BATTERY, WET, 1000 cca, for United States purchase
7	CBCH4DLTW	2	BATTERY, WET, 1000 cca, for Canada purchase
7	87544005	2	BATTERY, WET, 1000 cca, for Europe Purchase Only
8	87437207	1	SHIELD, Relay
9	895-11006	4	WASHER, M6,
10	627-6016	2	BOLT, Hex, M6 x 16, 10.9,
11	365035A6	1	BRACKET, Cab Harness
12	87426208	1	CABLE, Ground, Jump Start, 24V
13	A187583	1	STUD, Jump Start
14	87427096	1	DECAL, Positive (+) Post
15	87427317	1	DECAL, Negative (-) Post
16	87413792	1	SHIELD, Battery Terminals
17	829-1408	6	NUT, M8, CI 10,
18	87417510	1	HARNESS, Relay 12 / 24V
19	829-1406	2	NUT, M6, CI 10,
21	389120	1	RELAY, Relay, Inc. 40
22	895-11012	1	WASHER, M12 x 24 x 2.5,
23	829-1412	1	NUT, M12, CI 10,
24	87439132	1	CABLE, Cab Power
25	87418058	1	CABLE, Ground, 24V
26	515-25254	3	CLAMP, 1", Insul, 1/2" Bolt,
27	425-105	2	NUT, 5/16"-18, G5,
29	827-8045	1	BOLT, Hex, M8 x 45, 10.9,
30	495-11034	2	WASHER, 5/16", SAE,
31	582785C91	1	CONNECTOR, TERMINAL, Jump Start
32	87425760	1	PLATE, Battery Hold Down, Side
33	87413678	2	ROD, Battery Hold Down
34	896-15008	4	WASHER, M8 x 21.5 x 2.5, HT,
35	832-10408	5	NUT, LOCK, M8 x 1.25, CI 8,
36	87413679	1	CHANNEL, Battery Hold Down, Center
37	87437248	1	CABLE, Relay Chasis Ground
38	627-8020	1	BOLT, Hex, M8 x 20, 10.9,
39	516-23190	2	CLAMP, J, 3/4", Insul, 3/8" Bolt,
40	420580	2	PLATE, Fuse, 80 amp
41	R43926	1	CLAMP, 90 Twist
42	627-8035	4	BOLT, Hex, M8 x 35, 10.9,
43	87417495	1	PLATE, Mounting, Relay Switch
44	183038A1	1	SWITCH, SOLENOID, w/ Barrier
45	178148A1	1	COVER,

STX530 CASE IH 4WD TRACTOR (BTW Z6F100023 - Z6F105001)

04-22 BATTERIES

сылка	Номер детали	Кол-во	Описание
20	627-10030	2	BOLT, Hex, M10 x 30, 10.9, Full Thd,
28	895-11008	11	WASHER, M8 x 16 x 1.6,

04-23 ELECTRONIC MODULE ASSEMBLY



STX530 CASE IH 4WD TRACTOR (BTW Z6F100023 - Z6F105001)

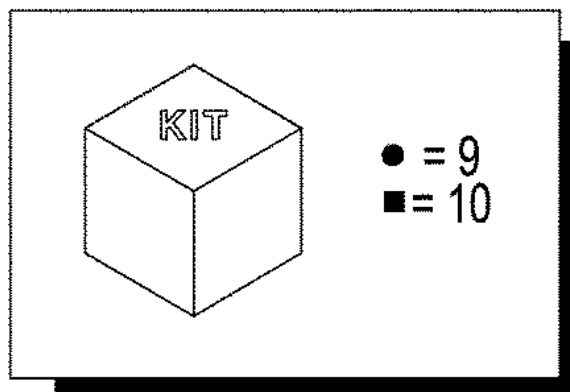
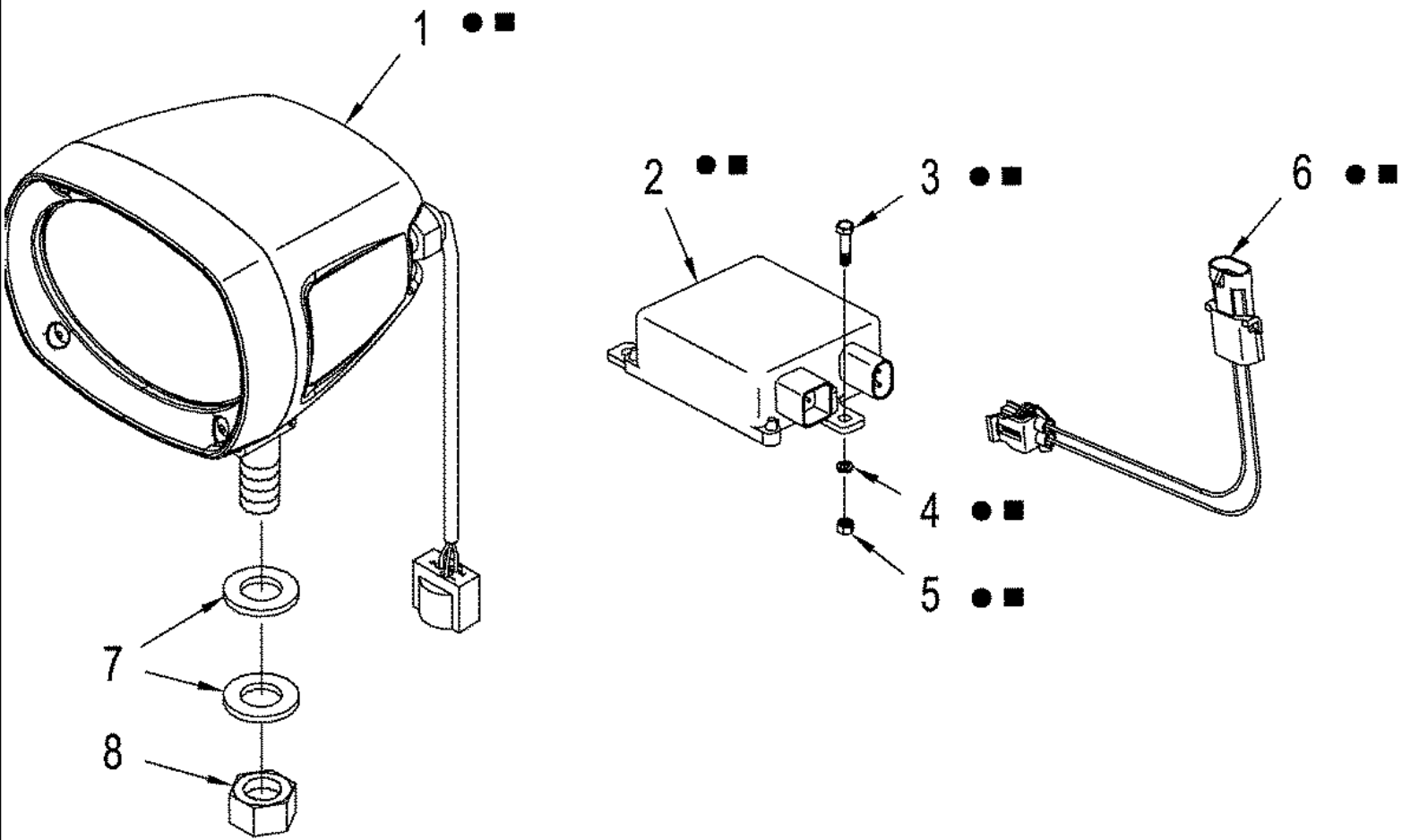
04-23 ELECTRONIC MODULE ASSEMBLY

сылка	Номер детали	Кол-во	Описание
1	87416914	1	BRACKET, Support, RH Armrest Module
2	20-1451T1	1	BLOCK, Junction
3	892-11010	1	WASHER, LOCK, M10,
4	425-106	1	NUT, 3/8"-16, G5,
5	840-1516	2	SCREW, Cross Pan Hd, M5 x 16,
6	895-11005	2	WASHER, M5 x 10 x 1,
7	824-1405	2	NUT, M5, CI 5,
8	397346A1	1	FLASHER UNIT, Module, Interface
9	895-11004	4	WASHER, M4,
10	892-11004	4	WASHER, LOCK, M4, , With Manual Shift Transmission
11	824-1404	4	NUT, M4, CI 5, , With Manual Shift Transmission
11	832-10404	4	NUT, LOCK, M4 x .7, CI 8, , With Power Shift Transmission
12	825-5146	3	NUT, M6, Flg Ser,
	87366657	1	MODULE, Electronics, Inc. 13 - 34, Also See Figure: 04-15, With Manual Shift Transmission, BSN Z6F105001
	87601587	1	MODULE, Electronics, Inc. 13 - 34, Also See Figure: 04-15, With Manual Shift Transmission, ASN Z6F105001
	87366658	1	MODULE, Electronics, Inc. 13 - 34, Also See Figure: 04-15, With Power Shift Transmission, BSN Z6F105001
	87601586	1	MODULE, Electronics, Inc. 13 - 34, Also See Figure: 04-15, With Power Shift Transmission, ASN Z6F105001
13	87416914	1	BRACKET, Fuse / Relay Mounting, BSN Z6F105001
13	NSS	1	NOT SERVICED SEPARATELY, Bracket, Fuse / Relay Mounting
14	367147A1	3	BRACKET, Mounting
15	367145A1	5	BLOCK, Terminal
16	841-4512	3	SCREW, Hex Wash Hd, M5 x 12,
17	825-5145	3	NUT, M5, Flg Ser,
18	430116A1	AR	LOCK, Terminal Block
19	191135A1	1	BASE, Terminal Block Mounting
20	895-11006	4	WASHER, M6,
21	829-1406	3	NUT, M6, CI 10,
22	144417A1	3	BLOCK, CONNECTING,
23	144421A1	2	BLOCK, CONNECTING,
24	194319A1	1	TERMINAL,
25	300655A1	1	SOCKET, POWER,
26	349062A1	1	PAD, RUBBER,
27	310057A1	1	CONNECTOR, ELEC,
28	840-1312	4	SCREW, Cross Pan Hd, M3 x 12,
29	895-11003	4	WASHER, M3,
30	824-1403	4	NUT, M3, CI 5,
31	121416A1	AR	FUSE, 30 amp
31	121415A1	AR	FUSE, 25 amp
31	121414A1	AR	FUSE, 20 amp
31	121413A1	AR	FUSE, 15 amp
31	121412A1	AR	FUSE, 10 amp

STX530 CASE IH 4WD TRACTOR (BTW Z6F100023 - Z6F105001)

04-23 ELECTRONIC MODULE ASSEMBLY

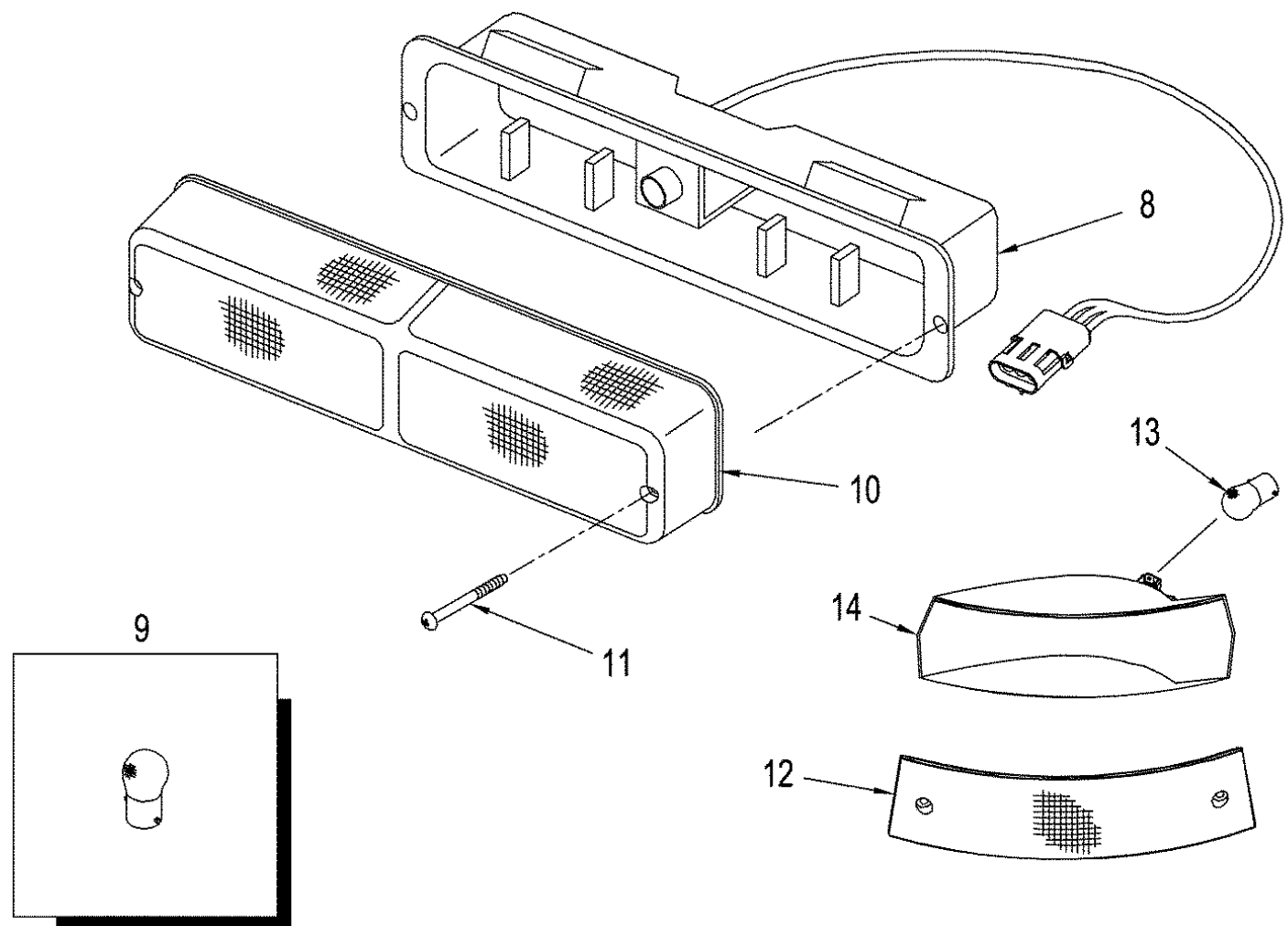
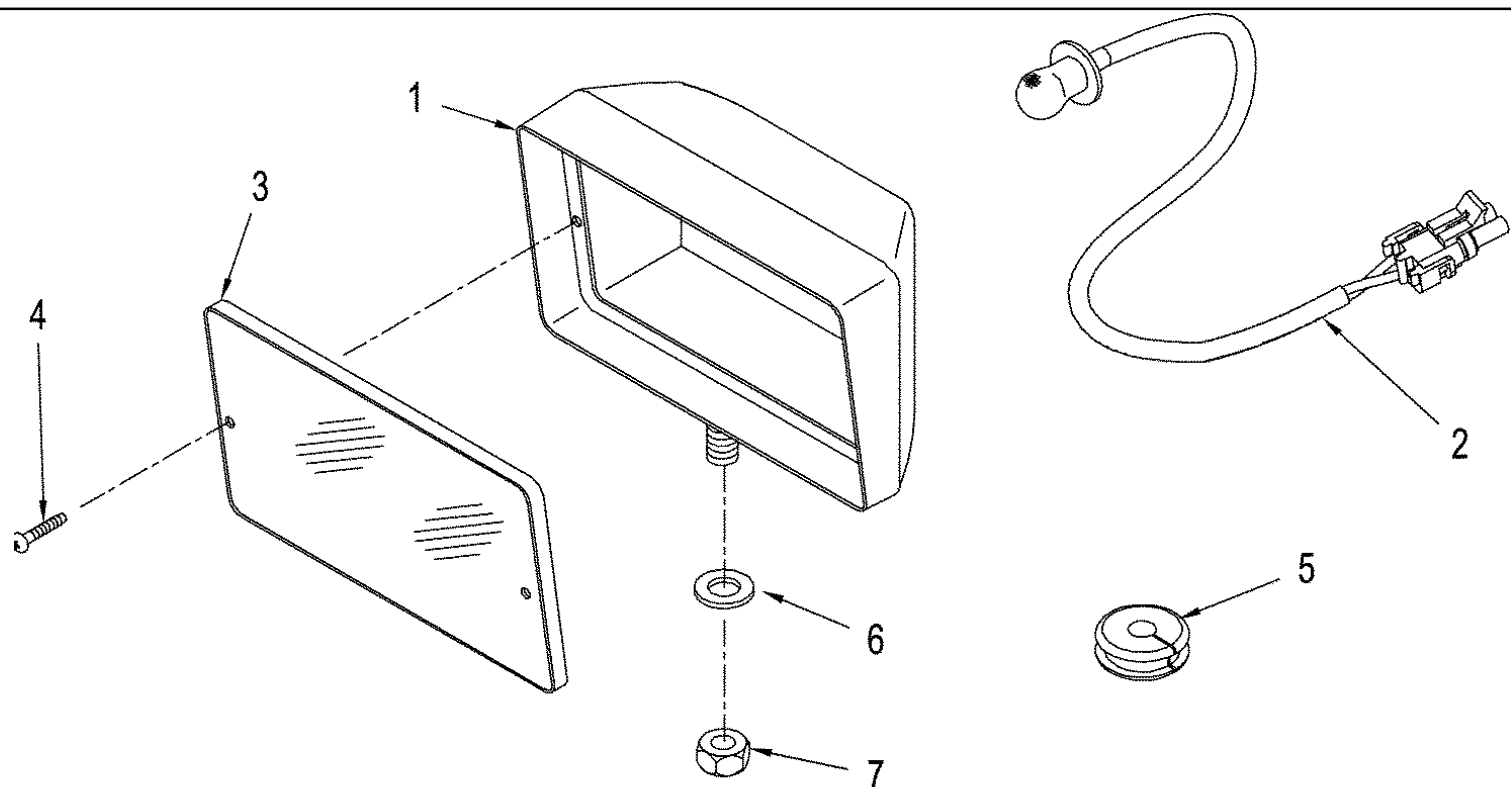
сылка	Номер детали	Кол-во	Описание
31	121411A1	1	FUSE, 7.5 amp
31	121410A1	AR	FUSE, 5 amp
31	368224A1	AR	DIODE, Mini, 1 amp, Differential Lock
32	87414866	AR	RELAY, 20 amp
33	368459A1	AR	RELAY, 70 amp
34	367146A1	4	WEDGE, Terminal Block
35	895-11008	4	WASHER, M8 x 16 x 1.6,
36	893-11010	2	WASHER, LOCK, Ext Tooth, M10,
37	895-11010	4	WASHER, M10 x 20 x 2,
38	829-1410	2	NUT, M10, CI 10,
39	A187523	1	BLOCK, CONNECTING, , With Power Shift Transmission
39	190158A1	1	BLOCK, Junction
40	311430A1	1	BLOCK, Junction
41	87354994	1	CONTROL UNIT, Three Point Hitch, Download Software from Service Tool.
42	399302A3	1	CONSOLE, Auxiliary, Download Software from Service Tool.
43	840-1616	2	SCREW, Cross Pan Hd, M6 x 16,
44	87357267	1	MODULE, Transmission, Download Software from Service Tool., BSN Z6F105039
44	87709243	1	MODULE, Transmission, Download Software from Service Tool., ASN Z6F105039
45	627-8016	1	BOLT, Hex, M8 x 16, 10.9,
45	627-8016	1	BOLT, Hex, M8 x 16, 10.9,
46	895-11005	3	WASHER, M5 x 10 x 1,
47	829-1408	3	NUT, M8, CI 10,
48	832-10405	2	NUT, LOCK, M5 x .8, CI 8,
49	87537124	1	CONNECTOR, TERMINAL, Jumper
50	86989612	1	MODULE, ECU ISO, If Used
51	832-10406	2	NUT, LOCK, M6 x 1, CI 8,



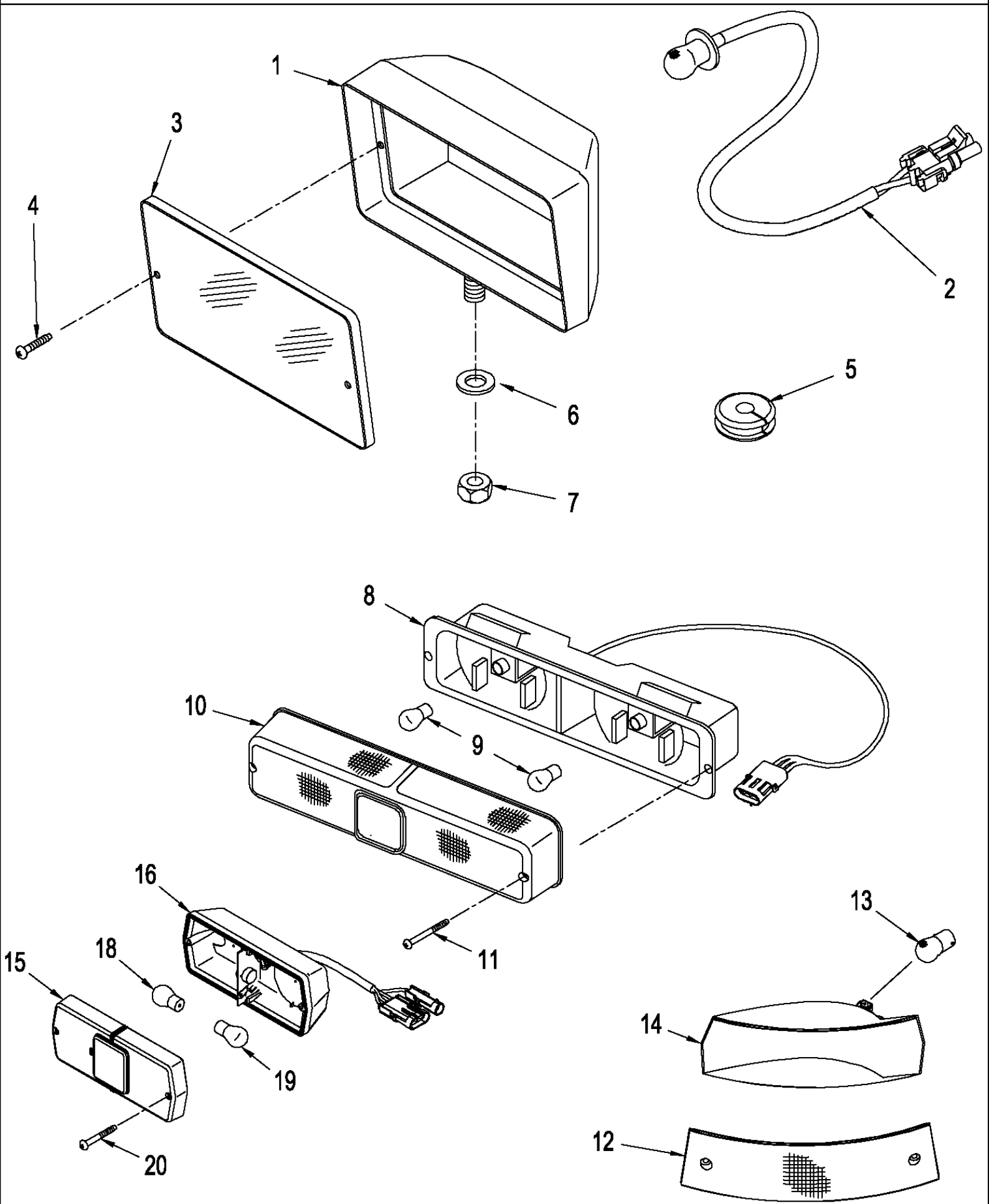
STX530 CASE IH 4WD TRACTOR (BTW Z6F100023 - Z6F105001)

04-24 LAMPS - REAR FRAME, H.I.D.

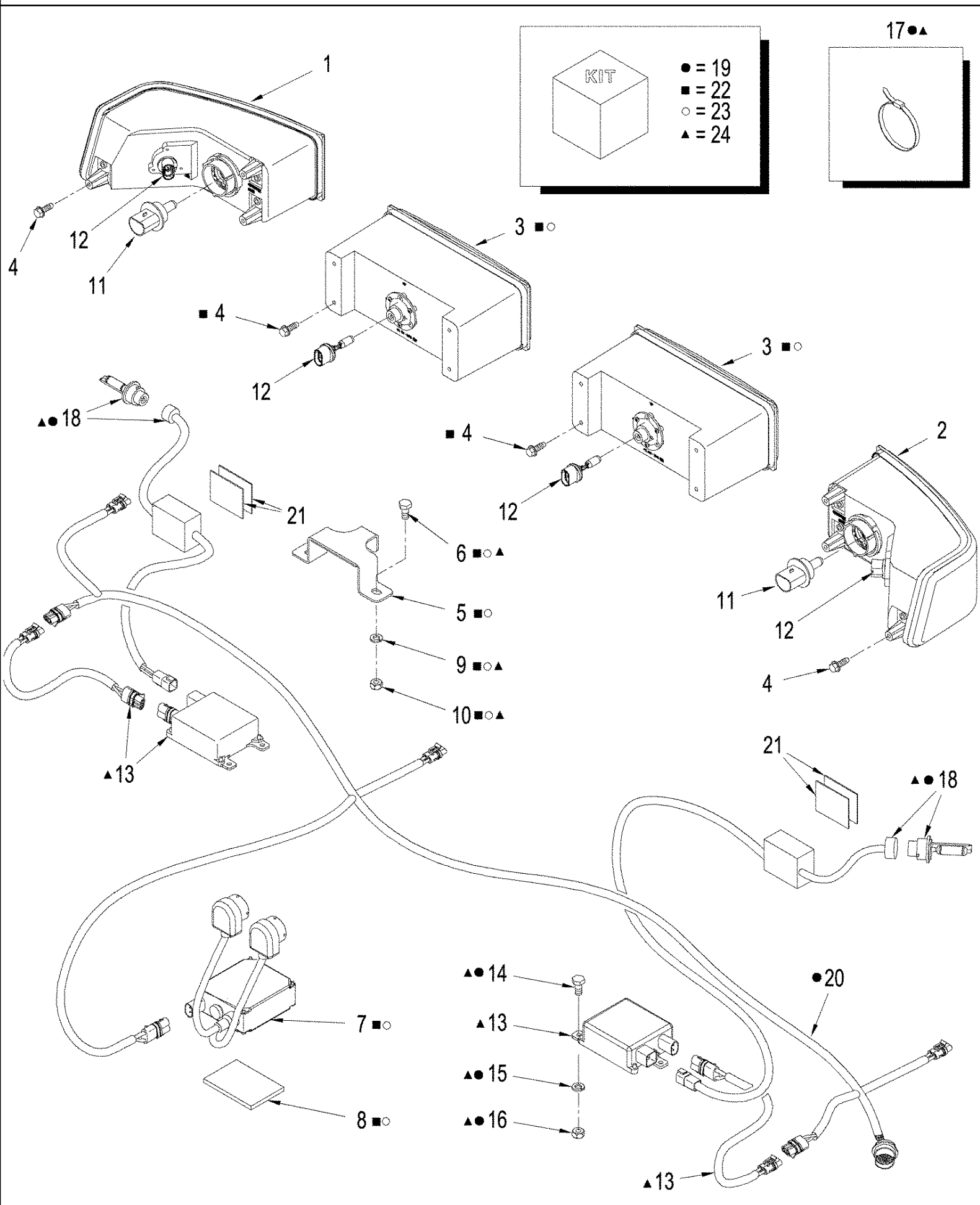
сылка	Номер детали	Кол-во	Описание
1	87419587	2	LAMP, Flood
1	87419591	2	LAMP, Trap
2	447742A1	AR	BALLAST, Rear H.I.D.
3	614-5020	AR	BOLT, Hex, M5 x 20, 8.8, Full Thd,
4	895-11005	AR	WASHER, M5 x 10 x 1,
5	832-10405	AR	NUT, LOCK, M5 x .8, CI 8,
6	87419583	AR	CABLE, Ballast to Rear Harness
7	896-15012	8	WASHER, M12 x 28.5 x 4, HT,
8	829-1410	4	NUT, M10, CI 10,
9	719618003	1	KIT, FIP, H.I.D., Rear Flood, Inc. 1 - 6
10	719702013	1	KIT, FIP, H.I.D., Rear Trap, Inc. 1 - 6



сылка	Номер детали	Кол-во	Описание
	92269C1	2-4	LAMP, WORK, Inc. 1 - 4
1	1964806C1	1	BEZEL, Work Lamp
2	1312210C2	1	BULB, 12V - 55W
3	276498A1	1	LENS, Work Lamp
4	260-54312	2	SCREW, SELF TAPPING, Cross Pan Hd, #6 x 3/4",
5	87030421	4	GROMMET, 3/8" ID x 1 1/4" Groove Dia, Str Cut,
6	895-11010	2	WASHER, M10 x 20 x 2,
7	829-1410	2	NUT, M10, CI 10,
	429385A1	1	LIGHT, WORK, Rear Frame, LH, Inc. 8 - 10
	417788A1	1	LIGHT, WORK, Rear Frame, RH, Inc. 8 - 10
8	NSS	1	NOT SERVICED SEPARATELY, Housing, Lamp
9	3131227R1	1	BULB, P25-1, 12V, 25W, Amber Turn Lamp
9	3131234R1	1	BULB, P25-2, 12V, 5W, Red Brake Lamp
10	NSS	1	NOT SERVICED SEPARATELY, Lens, Red and Amber
11	261-54536	2	SCREW, SELF TAPPING, Cross Pan Hd, #10 x 2 1/4",
	320246A1	4	LAMP, Warning, Cab Roof, Inc. 12 - 14
12	183748A1	1	LENS, Amber
13	A41264	1	BULB, #1156, 12V,
14	NSS	1	NOT SERVICED SEPARATELY, Housing, Cab Roof Work Lamp



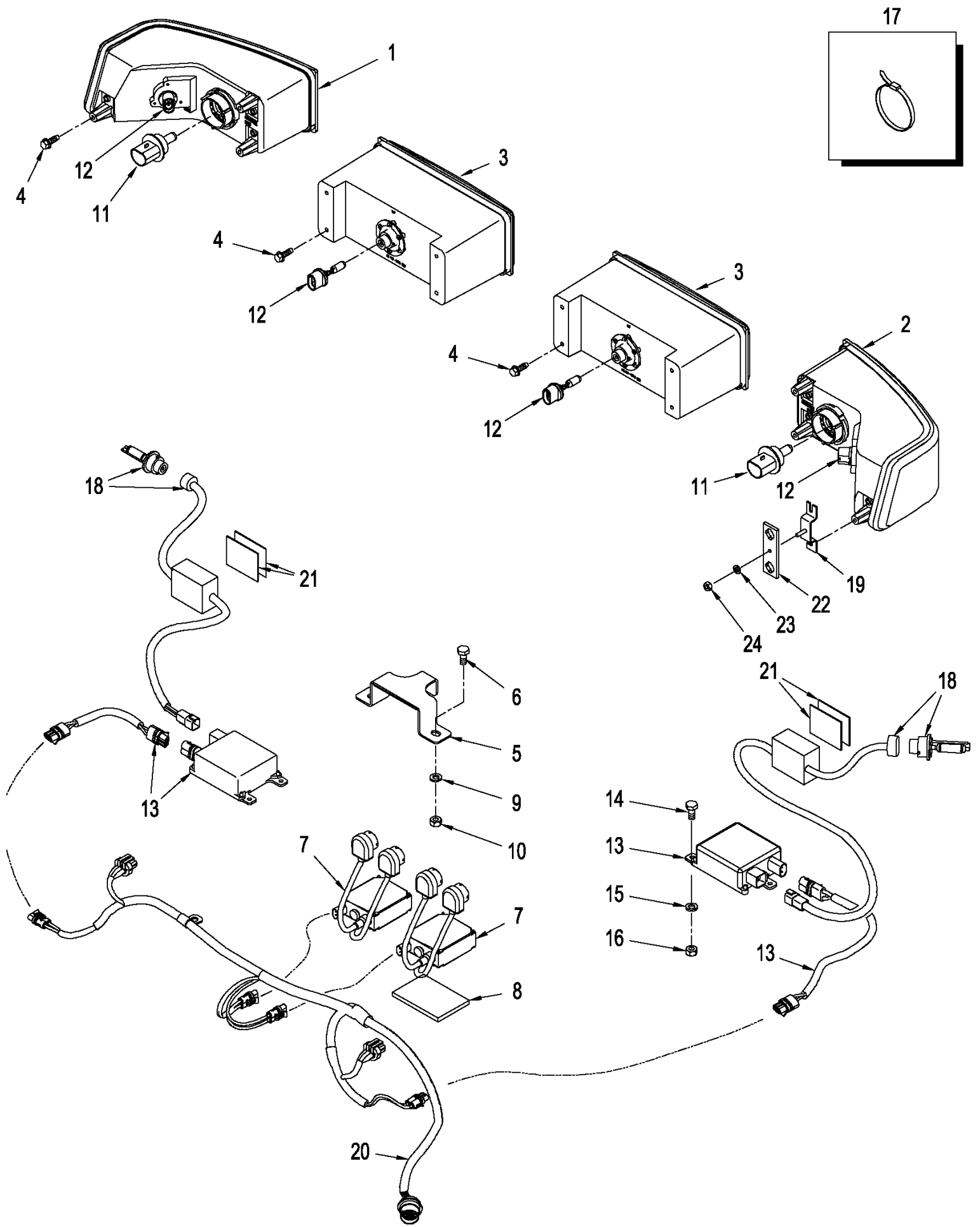
сылка	Номер детали	Кол-во	Описание
	92269C1	2-4	LAMP, WORK, HalogenInc. 1 - 4
1	1964806C1	1	BEZEL, Work Lamp
2	1312210C2	1	BULB, 12V - 55W
3	276498A1	1	LENS, Work Lamp
4	260-54312	2	SCREW, SELF TAPPING, Cross Pan Hd, #6 x 3/4",
5	87030421	4	GROMMET, 3/8" ID x 1 1/4" Groove Dia, Str Cut,
6	895-11010	AR	WASHER, M10 x 20 x 2,
7	829-1410	AR	NUT, M10, CI 10,
	388337A1	1	LIGHT, INDICATER, Turn / Brake, Rear Frame, LH, Inc. 8 - 10
	388338A1	1	LIGHT, INDICATER, Turn / Brake, Rear Frame, RH, Inc. 8 - 10
8	NSS	1	NOT SERVICED SEPARATELY, Housing, Lamp
9	3131227R1	1	BULB, P25-1, 12V, 25W, Amber Turn Lamp
9	3131234R1	1	BULB, P25-2, 12V, 5W, Red Brake Lamp
10	NSS	1	NOT SERVICED SEPARATELY, Lens, Red and Amber, with Center Reflector
11	261-54536	2	SCREW, SELF TAPPING, Cross Pan Hd, #10 x 2 1/4",
	320246A1	4	LAMP, Warning, Cab Roof, Inc. 12 - 14
12	183748A1	1	LENS, Amber
13	A41264	1	BULB, #1156, 12V,
14	NSS	1	NOT SERVICED SEPARATELY, Housing, Cab Roof Work Lamp
15	389679A1	1	LIGHT, INDICATER, LH, Turn / Brake, Front Frame, Inc. 16 - 20
15	389680A1	1	LIGHT, INDICATER, RH, Turn / Brake, Front Frame, Inc. 16 - 20
16	NSS	1	NOT SERVICED SEPARATELY, Housing, Lamp
17	NSS	1	NOT SERVICED SEPARATELY, Lense, Clear and Amber
18	3131227R1	1	BULB, P25-1, 12V, 25W, Amber
19	711335R1	1	BULB, R19/5, 12V, 5W, Clear
20	NSS	2	NOT SERVICED SEPARATELY, Screw



STX530 CASE IH 4WD TRACTOR (BTW Z6F100023 - Z6F105001)

04-26 HEADLAMPS - NORTH AMERICA

сылка	Номер детали	Кол-во	Описание
1	365842A1	1	HEADLAMP, LH, Hi / Low, with Work Lamp, Inc. 11, 12
2	365841A1	1	HEADLAMP, RH, Hi / Low, with Work Lamp, Inc. 11,12
3	232454A2	AR	LAMP, WORK, Center, Halogen, Inc. 12, (1) used on 380 / 430 and (2) used on 480 / 530 models
3	232455A2	AR	LAMP, WORK, Center, High Intensity Discharge (H.I.D.), (1) used on 380 / 430 and (2) used on 480 / 530 models
4	281-54712	10	SCREW, Hex Wash Hd, 1/4"-20 x 3/4",
5	333646A1	AR	CLAMP, High Intensity Discharge (H.I.D.), (1) used on 380 / 430 and (2) used on 480 / 530 models
6	627-8016	AR	BOLT, Hex, M8 x 16, 10.9, , (2) used on 380 / 430 and (8) used on 480 / 530 models
7	322332A1	AR	BALLAST, Center, High Intensity Discharge (H.I.D.), (1) used on 380 / 430 and (2) used on 480 / 530 models
8	333643A1	AR	GASKET, Foam, (1) used on 380 / 430 and (2) used on 480 / 530 models
9	892-11008	AR	WASHER, LOCK, M8, , (2) used on 380 / 430 and (8) used on 480 / 530 models
10	829-1408	AR	NUT, M8, CI 10, , (2) used on 380 / 430 and (8) used on 480 / 530 models
11	388872A1	2	BULB, Headlamps
12	323093A1	2	BULB, 885-12V, Halogen, Work Lamp
13	87427690	AR	BALLAST, Harness & Front Jumper, Right-Hand & Left-Hand Lamps, Inc. 18, (1) used on 380 / 430 and (2) used on 480 / 530 models
14	614-5020	AR	BOLT, Hex, M5 x 20, 8.8, Full Thd,
15	895-11005	AR	WASHER, M5 x 10 x 1,
16	832-10405	AR	NUT, LOCK, M5 x .8, CI 8,
17	435437A1	4	STRAP, CABLE, 3/16" x 7 1/4", 175 - 200 mm
18	87366792	2	BULB, H.I.D, w/ Harness
19	719619026	1	KIT, H.I.D. Front Corner, Inc. 14 - 18, 20, STEIGER 380 / 430, STX380 / 430
20	87366790	1	BALLAST, Light Bar
21	406450A1	4	FASTENER, Dual Lock
22	334234A1	1	KIT, H.I.D. Front Center, Inc. 3 - 10
23	719511006	1	KIT, H.I.D. Light, Front Center, Inc. 3, 5 - 10, STX480 / 530, STEIGER 480 / 530
24	719511016	1	KIT, H.I.D. Front Corner Lamp, Inc. 6, 9, 10 & 13 - 18, STEIGER 480 / 530, STX480 / 530

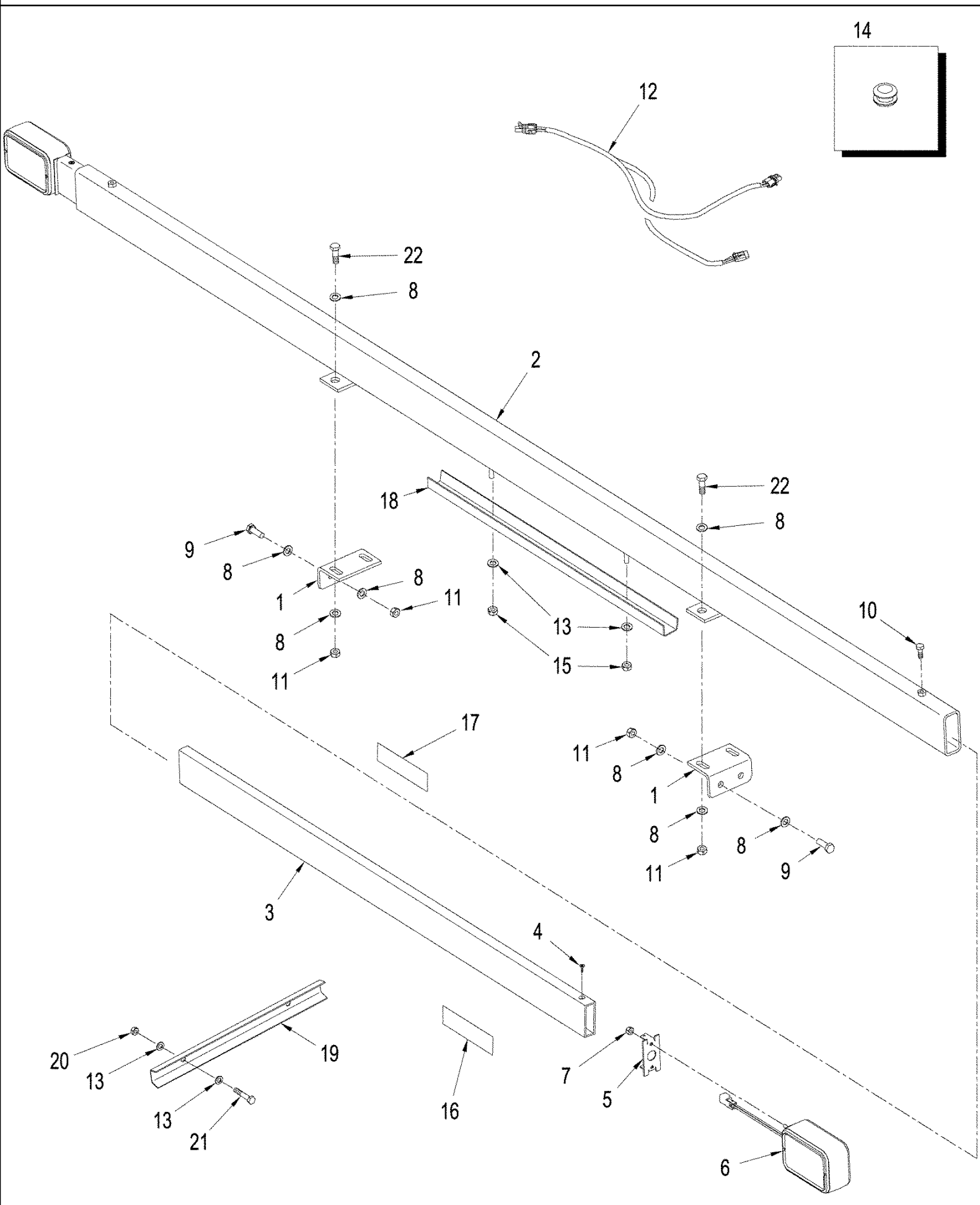


STX530 CASE IH 4WD TRACTOR (BTW Z6F100023 - Z6F105001)

04-26(01) HEADLAMPS - EUROPE

сылка	Номер детали	Кол-во	Описание
1	232449A2	1	HEADLIGHT, LH, Hi / Low, with Work Lamp, Inc. 11, 12
2	232448A2	1	HEADLIGHT, RH, Hi / Low, with Work Lamp, Inc. 11,12
3	232454A2	AR	LAMP, WORK, Center, Halogen, Inc. 12, (1) used on 380 / 430 and (2) used on 480 / 530 models
3	232455A2	AR	LAMP, WORK, Center, High Intensity Discharge (H.I.D.), (1) used on 380 / 430 and (2) used on 480 / 530 models
4	281-54712	4	SCREW, Hex Wash Hd, 1/4"-20 x 3/4",
5	333646A1	AR	CLAMP, High Intensity Discharge (H.I.D.), (1) used on 380 / 430 and (2) used on 480 / 530 models
6	627-8016	AR	BOLT, Hex, M8 x 16, 10.9, , (2) used on 380 / 430 and (8) used on 480 / 530 models
7	322332A1	AR	BALLAST, Center, High Intensity Discharge (H.I.D.), (1) used on 380 / 430 and (2) used on 480 / 530 models
8	333643A1	AR	GASKET, Foam, (1) used on 380 / 430 and (2) used on 480 / 530 models
9	892-11008	AR	WASHER, LOCK, M8, , (2) used on 380 / 430 and (8) used on 480 / 530 models
10	829-1408	AR	NUT, M8, CI 10, , (2) used on 380 / 430 and (8) used on 480 / 530 models
11	388872A1	2	BULB, Halogen, H4 60/65 Watt, Headlamps
12	323093A1	2	BULB, Halogen, 885-12V 50 Watt, Work Lamp
13	87427690	2	BALLAST, Harness & Front Jumper, Right-Hand & Left-Hand Lamps, Inc. 18, (1) used on 380 / 430 and (2) used on 480 / 530 models
14	614-5020	AR	BOLT, Hex, M5 x 20, 8.8, Full Thd,
15	895-11005	AR	WASHER, M5 x 10 x 1,
16	832-10405	AR	NUT, LOCK, M5 x .8, CI 8,
17	435437A1	4	STRAP, CABLE, 3/16" x 7 1/4", 175 - 200 mm
18	87366792	2	BULB, H.I.D, w/ Harness
20	87366790	1	BALLAST, Light Bar (3 Lamps), STX380 / 430, STEIGER 380 / 430
20	87337671	1	HARNESS, Light Bar (4 Lamps), STX480 / 530, STEIGER 480 / 530
21	406450A1	4	FASTENER, Dual Lock

04-27 LAMPS - MARKER

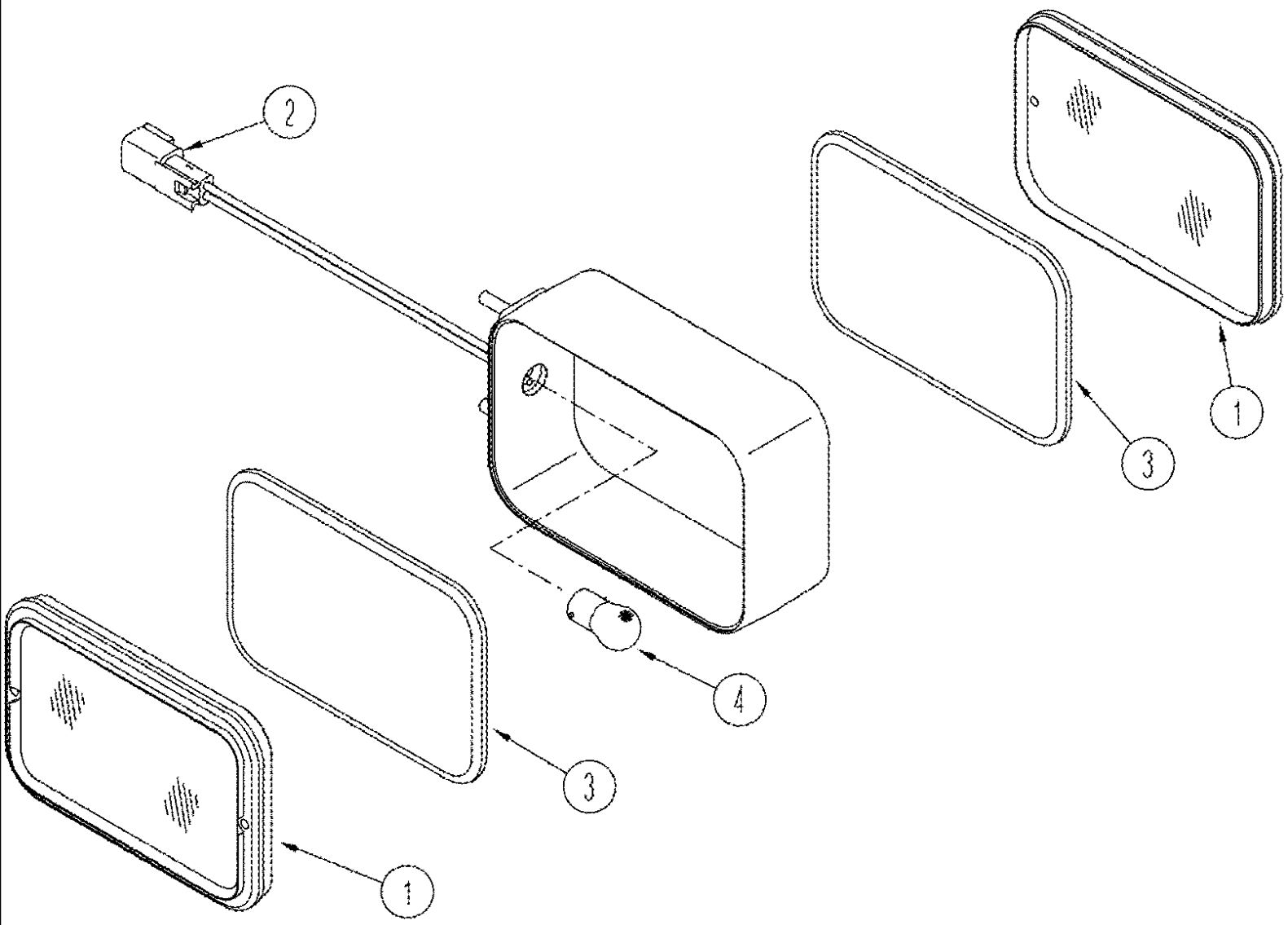


STX530 CASE IH 4WD TRACTOR (BTW Z6F100023 - Z6F105001)

04-27 LAMPS - MARKER

сылка	Номер детали	Кол-во	Описание
1	367194A1	2	BRACKET, Bracket, Marker Lamps
2	362493A1	1	TUBE, Center, Marker Lamps
3	362491A1	1	TUBE, Inner, Marker Lamps
4	843-2512	4	SCREW, Hex Flat Hd, M5 x 12, 4.8,
5	362496A1	2	BRACKET, Support, Marker Lamp
6	367321A1	2	LAMP, Warning, See Figure: 04-28
7	824-1405	4	NUT, M5, CI 5,
8	895-11010	16	WASHER, M10 x 20 x 2,
9	627-10040	4	BOLT, Hex, M10 x 40, 10.9, Full Thd,
10	627-8020	2	BOLT, Hex, M8 x 20, 10.9,
11	829-1410	8	NUT, M10, CI 10,
12	87520424	1	HARNES, Marker Lamp
13	895-11008	6	WASHER, M8 x 16 x 1.6,
14	248-2399	2	GROMMET, 3/8" ID x 1" Groove Dia, Str Cut,
15	832-10408	4	NUT, LOCK, M8 x 1.25, CI 8,
16	297221A1	4	DECAL, Red and Orange
17	297223A1	4	DECAL, Yellow
18	362624A1	2	CHANNEL, Wire Guard
19	330164A2	1	GUARD, Wire Harness
20	829-1408	4	NUT, M8, CI 10,
21	827-8050	2	BOLT, Hex, M8 x 50, 10.9,
22	627-10030	4	BOLT, Hex, M10 x 30, 10.9, Full Thd,

04-28 LAMPS - SIDE MARKER WARNING

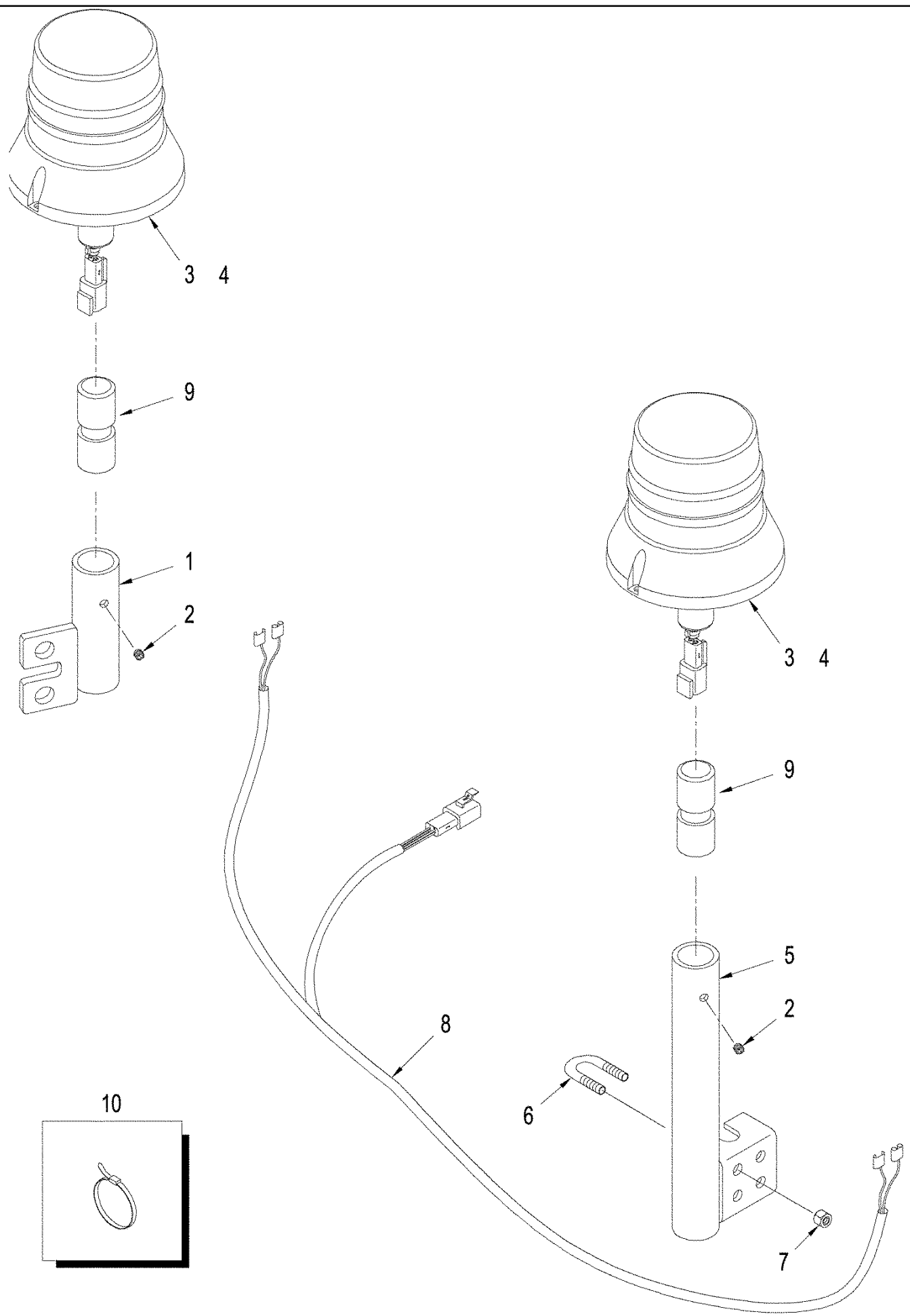


STX530 CASE IH 4WD TRACTOR (BTW Z6F100023 - Z6F105001)

04-28 LAMPS - SIDE MARKER WARNING

сылка	Номер детали	Кол-во	Описание
	367321A1	1	LAMP, Warning, Inc. 1 - 4
1	232212A1	2	LENS, Amber
2	222136A1	1	CONNECTOR, ELEC, 2 Pin
3	233561A1	2	O-RING,
4	A41264	1	BULB, #1156, 12V,

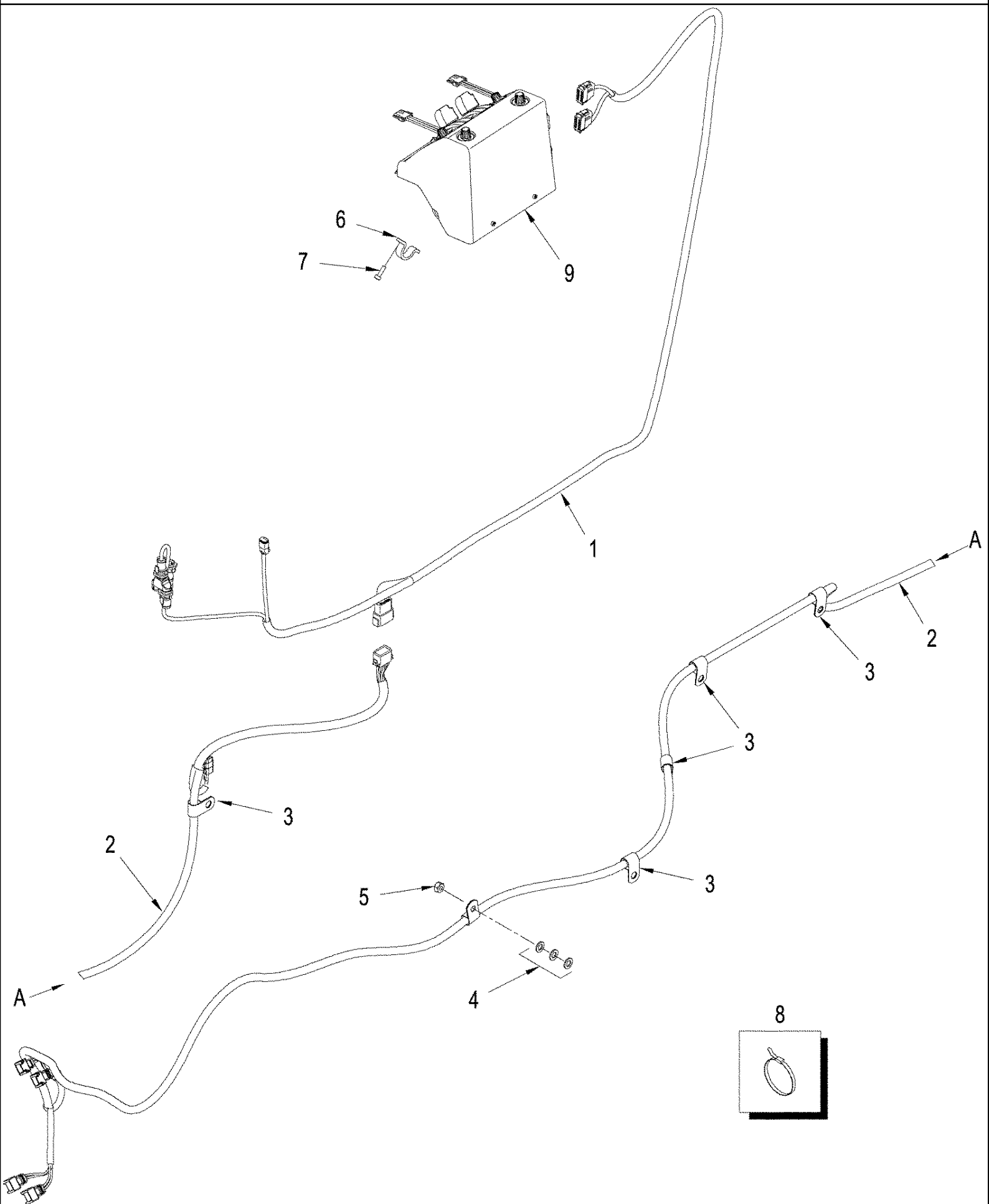
04-29 LAMP - STROBE



04-29 LAMP - STROBE

сылка	Номер детали	Кол-во	Описание
1	383983A1	1	BRACKET, Mounting, Beacon
2	878-1066	1	SET SCREW, Hex Soc, M6 x 6, Cup Pt,
3	175048A1	1	BEACON, Strobe, Inc. 4
4	323095A1	1	BULB,
5	387938A2	1	SUPPORT ASSY., Mounting, Europe Option
6	253105A1	2	U-BOLT, M8, Europe Option
7	832-10408	4	NUT, LOCK, M8 x 1.25, Cl 8, , Europe Option
8	396484A1	1	HARNESS, Beacon Light, Europe Option
9	244106A1	1	CONNECTOR, ELEC, Tube Support
10	L18331	1	STRAP, CABLE,

04-30 WIRING - TWIN FLOW HYDRAULIC CONTROLS

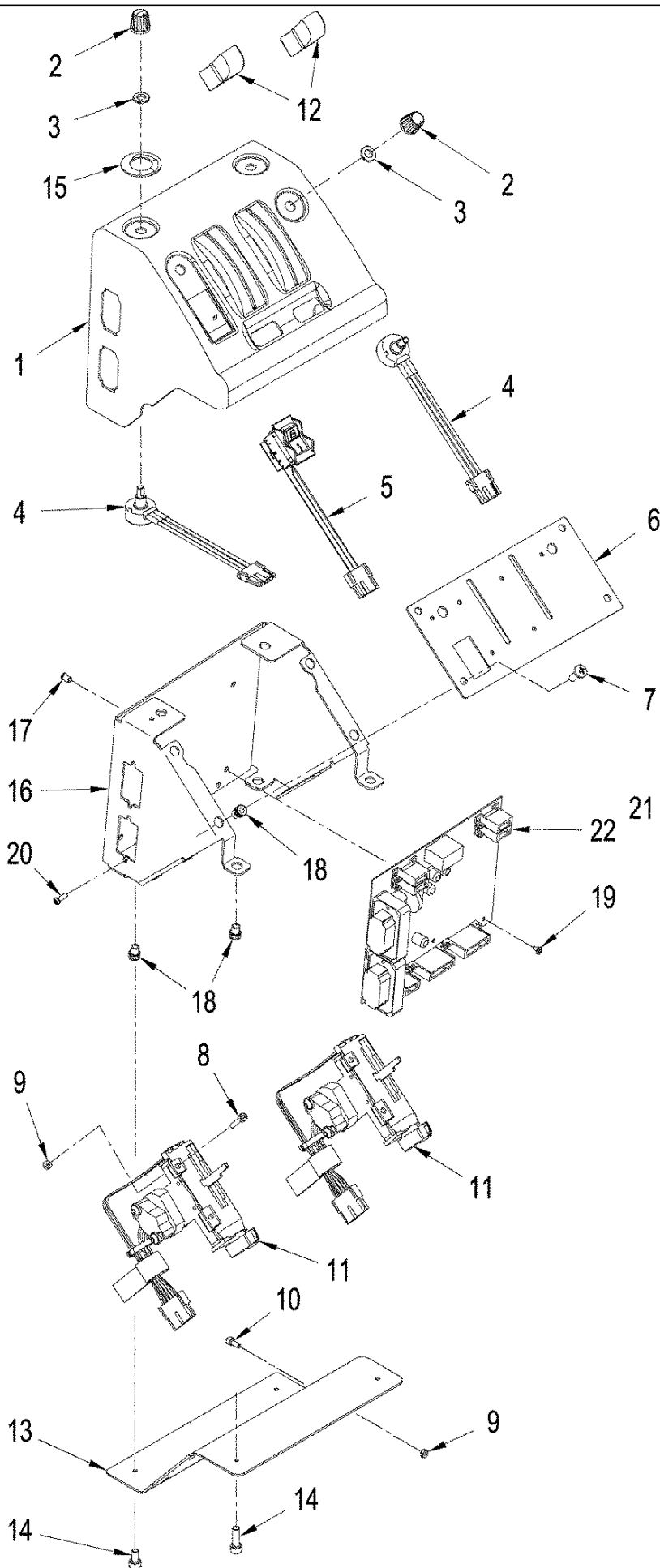


STX530 CASE IH 4WD TRACTOR (BTW Z6F100023 - Z6F105001)

04-30 WIRING - TWIN FLOW HYDRAULIC CONTROLS

сылка	Номер детали	Кол-во	Описание
1	430834A1	1	HARNESS, Cab, Twin Flow
2	430835A1	1	HARNESS, Chassis, Twin Flow
3	515-25190	6	CLAMP, 3/4", Insul, 1/2" Bolt,
4	895-11010	3	WASHER, M10 x 20 x 2,
5	829-1310	1	NUT, M10, CI 10,
6	412027A2	2	CLAMP, Pipe
7	565-104	4	SCREW, Hex Soc Hd, M6 x 20, 8.8,
8	435437A1	2	STRAP, CABLE, 3/16" x 7 1/4",
9	87518273	1	CONTROL UNIT, Box Assy., Twin Flow, See Figure: 04-31

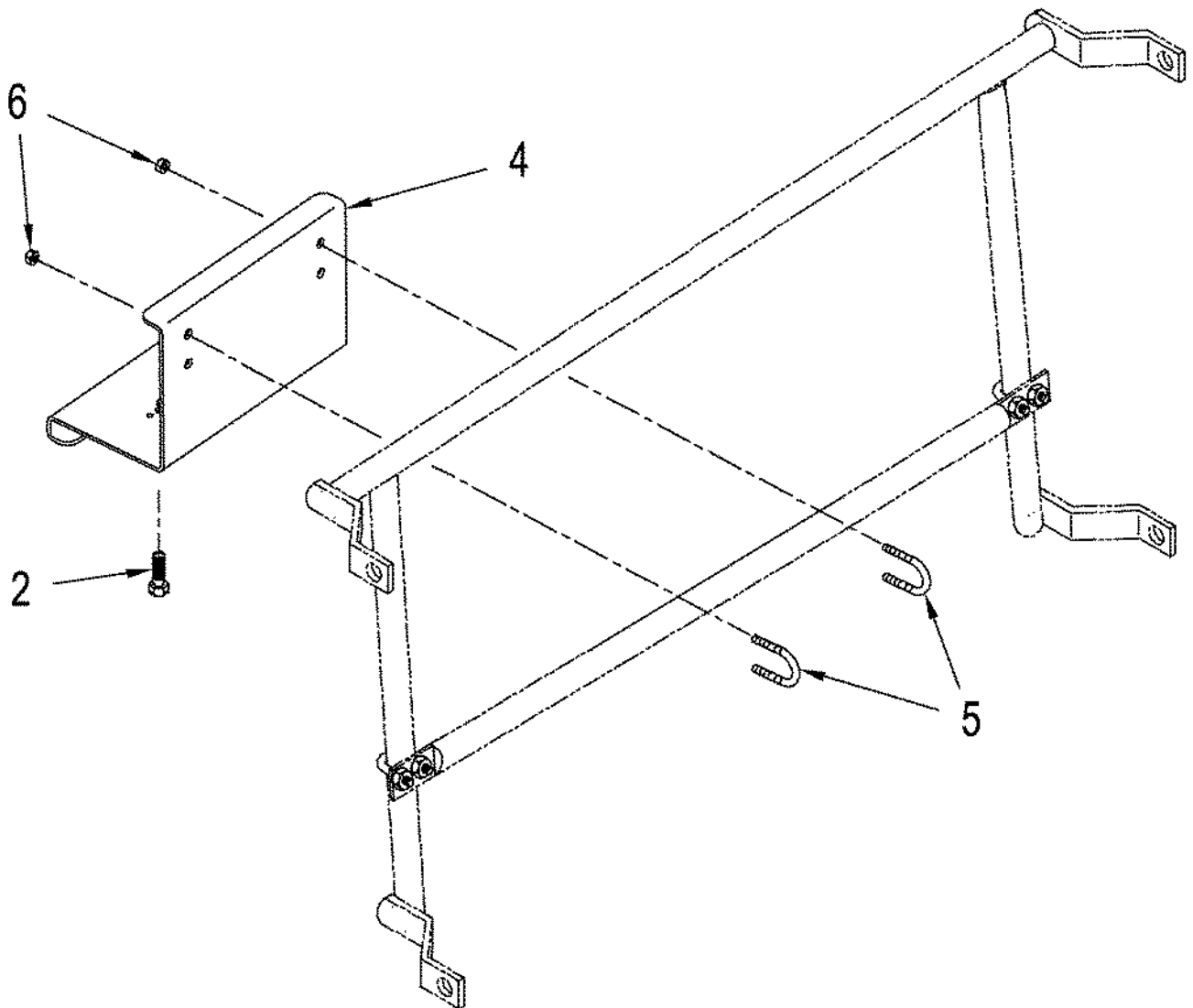
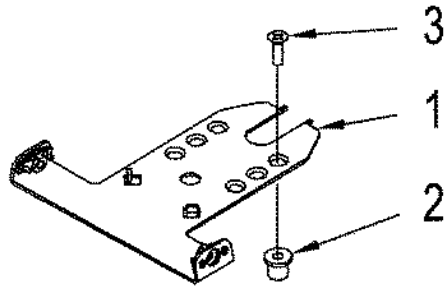
04-31 TWIN FLOW HYDRAULIC CONTROLS



04-31 TWIN FLOW HYDRAULIC CONTROLS

сылка	Номер детали	Кол-во	Описание
	87518273	1	CONTROL UNIT, Box Assembly, Twin Flow, Inc. 1-9 & 11 - 15
1	442120A2	1	COVER, Twin Flow Box Assy.
2	276797A1	4	KNOB, Flow Control
3	444868A1	8	NUT, 3/4"
4	256305A2	4	POTENTIOMETER, Draft Control
5	413148A1	1	SWITCH, Twin Flow
6	NSS	1	NOT SERVICED SEPARATELY, Plate, Mounting
7	444867A1	4	SCREW, Pan Hd, M6 x 16, CL4.8
8	864-4020	4	SCREW, Hex Soc Hd, M4 x 20, 8.8,
9	824-1404	6	NUT, M4, CI 5,
10	864-4010	2	SCREW, Hex Soc Hd, M4 x 10, 8.8,
11	87395299	2	VALVE, CONTROL, Electrohydraulic
12	406962A1	2	KNOB, Remote Lever, Twin Flow
13	418148A2	1	COVER, Plate
14	565-103	2	SCREW, Hex Soc Hd, M6 x 12, 8.8,
15	438237A1	1	DECAL, Flow Control
16	411981A3	1	BRACKET, Mounting, Twin Flow Controls
17	412295A1	5	SPACER,
18	404287A1	12	INSERT,
19	47112222	5	SCREW, M4 x 6
20	25-HT00012	4	SCREW,
21	NSS	1	NOT SERVICED SEPARATELY, Software, Download Software from Service Tool.
22	412070A1	1	BOARD, PRINTED CIRCUIT,

04-32 MOUNTING - ADVANCED FARMING SYSTEMS

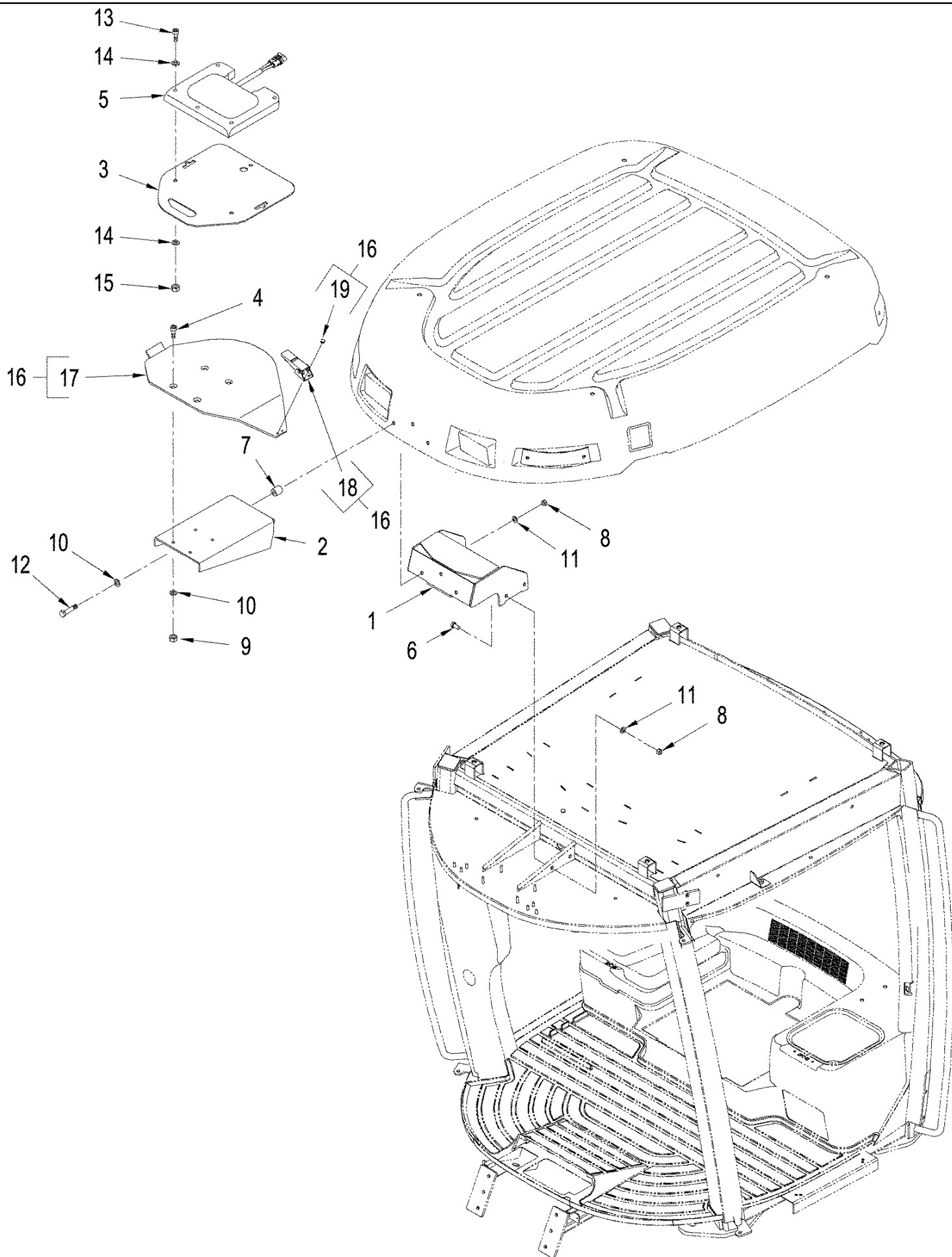


STX530 CASE IH 4WD TRACTOR (BTW Z6F100023 - Z6F105001)

04-32 MOUNTING - ADVANCED FARMING SYSTEMS

сылка	Номер детали	Кол-во	Описание
1	279293A2	1	SUPPORT, Bracket, Beacon
2	D135342	4	ISOLATOR,
3	443-13116	4	SCREW, Cross Flat Hd, 5/16"-18 x 1",
4	87414514	1	MOUNTING PARTS, AFS Display
5	19-6258	2	U-BOLT,
6	425-104	4	NUT, 1/4"-20, G5,

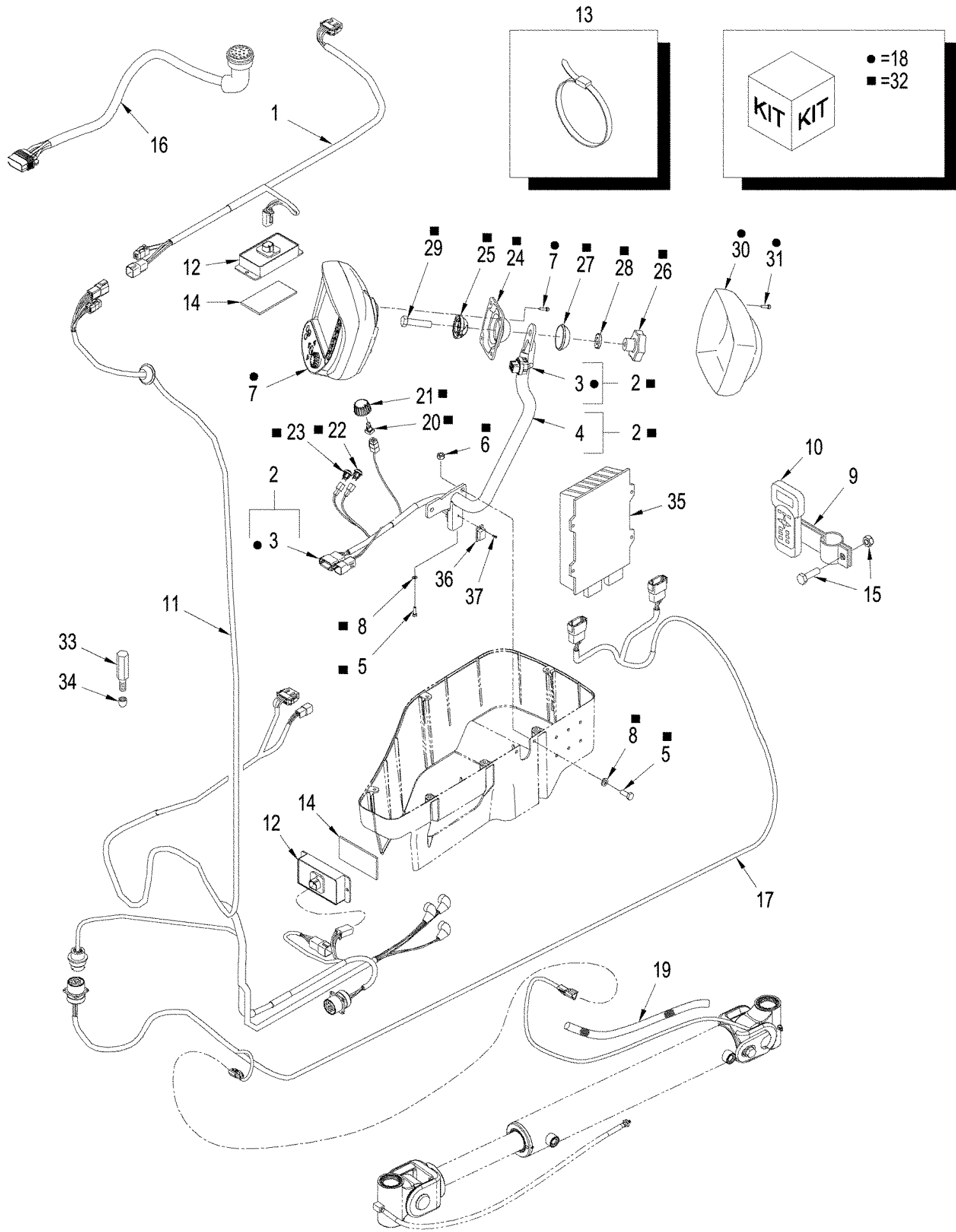
04-33 ACCUGUIDE, GPS - MOUNTING



STX530 CASE IH 4WD TRACTOR (BTW Z6F100023 - Z6F105001)

04-33 ACCUGUIDE, GPS - MOUNTING

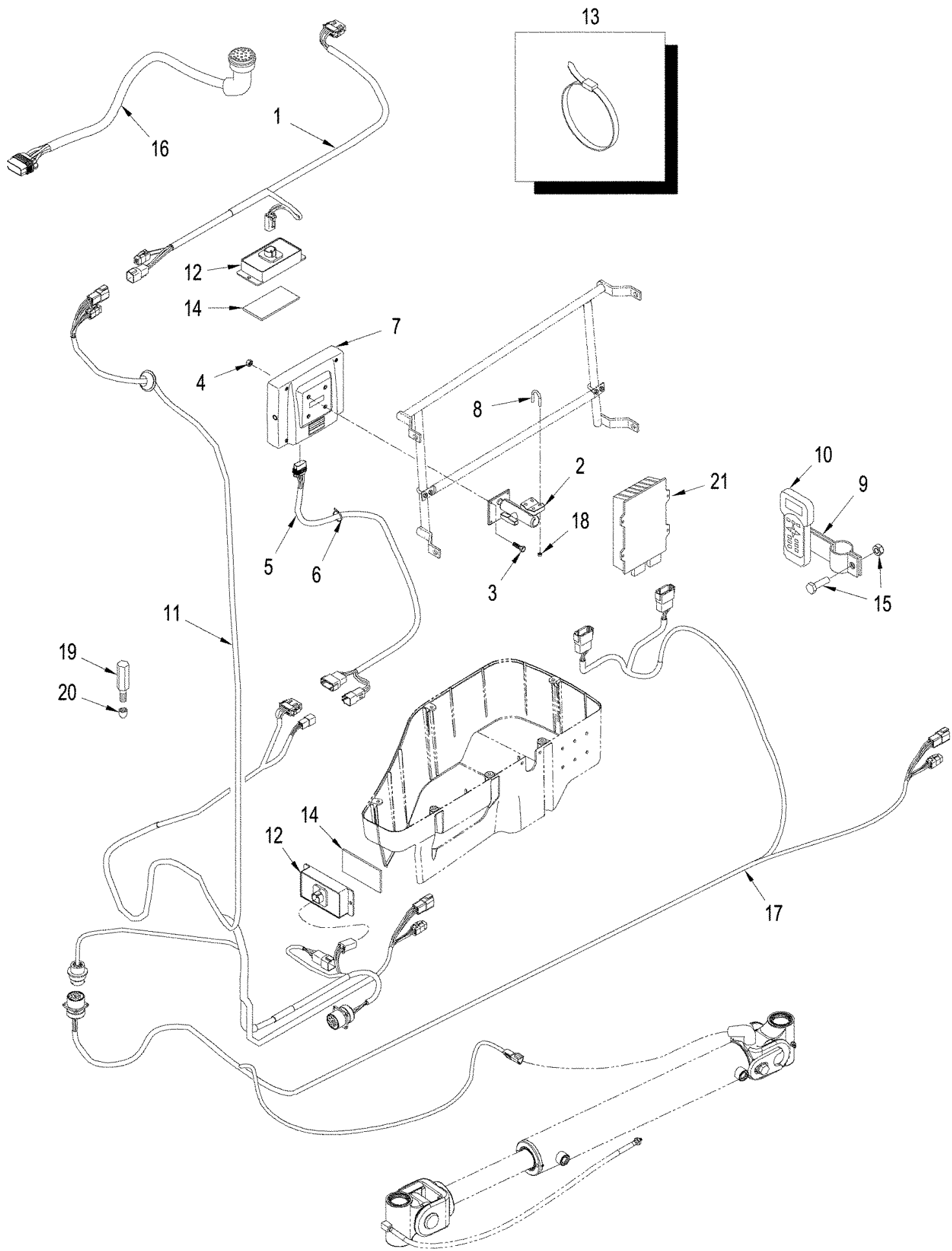
сылка	Номер детали	Кол-во	Описание
1	87304763	1	MOUNTING PARTS, GPS Receiver
2	87304767	1	BRACKET, GPS Mounting
3	87568855	1	PLATE, MOUNTING, Portable GPS Receiver
4	843-1825	4	SCREW, Hex Flat Hd, M8 x 25, 4.8,
5	87308224	1	MODULE, Receiver
6	627-10020	4	BOLT, Hex, M10 x 20, 10.9, Full Thd,
7	87304771	3	SPACER, GPS Mounting
8	829-1410	7	NUT, M10, CI 10,
9	832-10408	4	NUT, LOCK, M8 x 1.25, CI 8,
10	895-11008	7	WASHER, M8 x 16 x 1.6,
11	895-11010	7	WASHER, M10 x 20 x 2,
12	827-10055	3	BOLT, Hex, M10 x 55, 10.9,
13	814-8060	3	BOLT, Hex, M8 x 60, 8.8,
14	895-11006	6	WASHER, M6,
15	825-5146	3	NUT, M6, Flg Ser,
16	87528080	1	PLATE, BASE, GPS Receiver Mounting Assy., Inc. 17 - 19
17	87528045	1	PLATE, BASE, GPS Mounting
18	87308870	1	LATCH, GPS Mounting
19	87308841	2	RIVET, Pop, 5/32" x .425",



STX530 CASE IH 4WD TRACTOR (BTW Z6F100023 - Z6F105001)

04-34 ACCUGUIDE - AFS 200 PRO MOUNTING & RELATED PARTS

сылка	Номер детали	Кол-во	Описание
1	87580504	1	HARNESS, Cab Roof
2	87566063	1	HARNESS, Monitor, Inc. 3, 4, 36 & 37
3	NSS	1	NOT SERVICED SEPARATELY, Virtual Terminal
4	NSS	1	NOT SERVICED SEPARATELY, Tube, Mounting
5	627-8020	3	BOLT, Hex, M8 x 20, 10.9,
6	829-1408	3	NUT, M8, CI 10,
7	NSS	1	NOT SERVICED SEPARATELY, Monitor, AFS 200 Pro, Small Wide Color Virtual Terminal, Order from ACCUGUIDE Price Book.
8	895-11008	3	WASHER, M8 x 16 x 1.6,
9	87428367	1	BRACKET, Mounting, RDL Radio
10	87428366	1	MODULE, RDL Radio
11	87584843	1	HARNESS, Cab
12	284638A2	2	CONNECTOR, ELEC, Active Terminator
13	L11541	15	STRAP, CABLE,
14	406450A1	2	FASTENER, Velcro
15	87428369	1	SET, Bolt
16	87428396	1	CABLE ASSY., RTK Radio to Antenna
17	87331556	1	HARNESS, Chasis
18	719631026	1	KIT, Wide Terminal Color Display, Inc. 7, 30, 31
19	A64737	1	SLEEVE, Protective
20	87365742	1	SWITCH, Optical Encoder
21	87454709	1	KNOB, Encoder
22	87453959	1	SWITCH, Escape
23	87453957	1	SWITCH, Home
24	87325557	1	PLATE, MOUNTING, Ball Joint
25	82038414	1	PROTECTION CAP, Ball
26	87353504	1	KNOB, AFS Mounting
27	82039389	1	WASHER, CUP, Ball Joint
28	896-15012	1	WASHER, M12 x 28.5 x 4, HT,
29	814-12050	1	BOLT, Hex, M12 x 50, 8.8,
30	87325765	1	COVER, Ball Joint
31	87536486	6	SCREW, M4 x 16, CL12.9
32	87555072	1	DIA KIT, TRACTOR, Mounting, Inc. 2, 5 - 8, 20 - 29, 31 & 32
33	87423195	4	SPACER,
34	440570A1	4	STUD,
35	87346979	1	CONTROL, Module, NAV II
36	87588663	1	COVER, CAP, USB
37	440-1044	2	SCREW, Cross Oval Hd, #4-40 x 1/4",

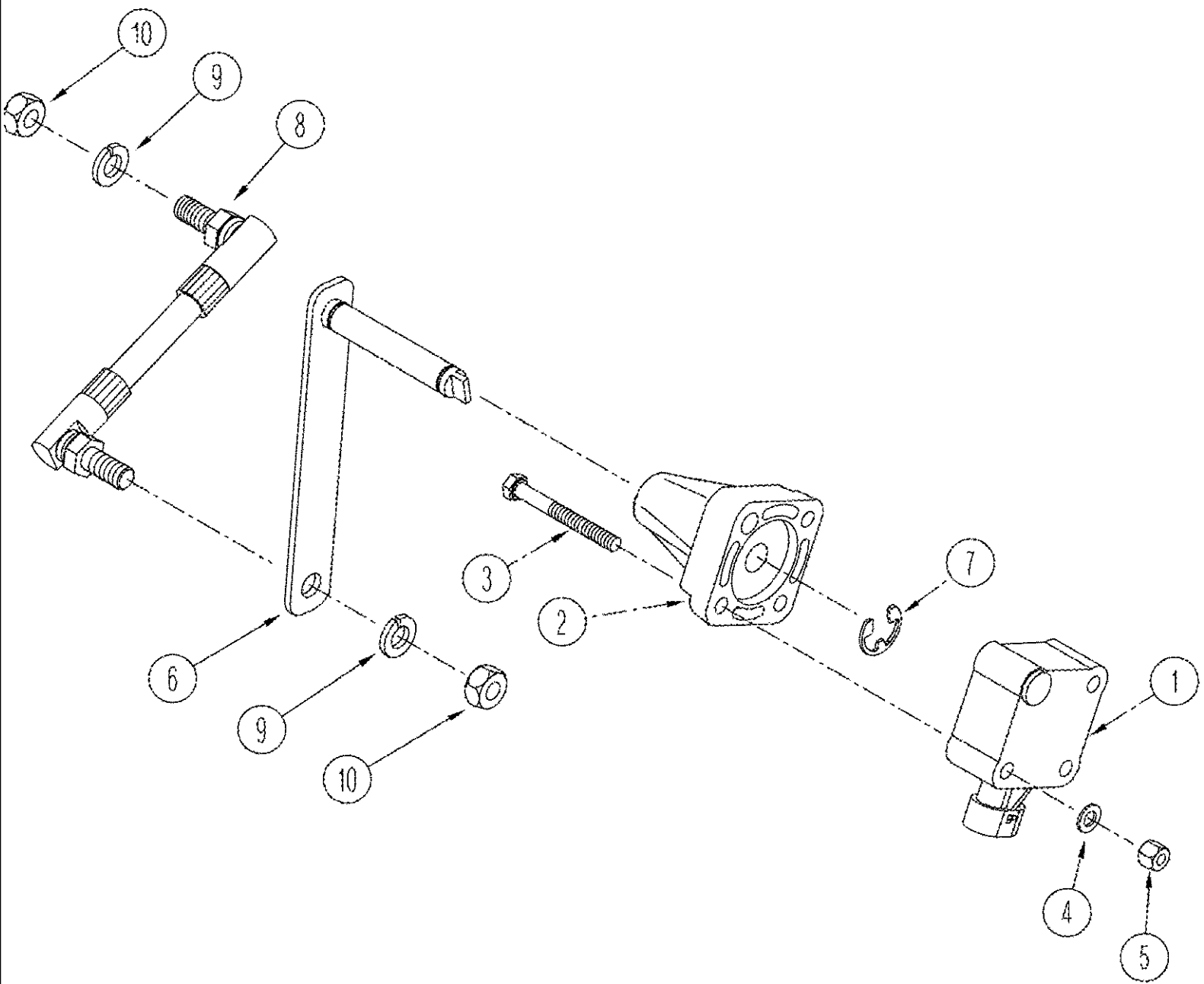


STX530 CASE IH 4WD TRACTOR (BTW Z6F100023 - Z6F105001)

04-34(01) ACCUGUIDE - AFS 600 PRO MOUNTING & RELATED PARTS, ASN Z7F105571

сылка	Номер детали	Кол-во	Описание
1	87580504	1	HARNESS, Cab Roof
2	87386396	1	ARM, SUPPORTING, AFS 600 Pro, Touch Screen
3	614-6020	4	BOLT, Hex, M6 x 20, 8.8,
4	829-1406	4	NUT, M6, CI 10,
5	87566059	1	HARNESS, AFS 600 Pro, Touch Screen Display
6	L11541	1	STRAP, CABLE,
7	NSS	1	NOT SERVICED SEPARATELY, Monitor, AFS 600 Pro, Touch Screen Display, Order from ACCUGUIDE Price Book.
8	19-6258	2	U-BOLT,
9	87428367	1	BRACKET, Mounting, RDL Radio
10	87428366	1	MODULE, RDL Radio
11	87601405	1	HARNESS, Cab
12	284638A2	2	CONNECTOR, ELEC, Active Terminator
13	L11541	15	STRAP, CABLE,
14	406450A1	2	FASTENER, Velcro
15	87428369	1	SET, Bolt
16	87428396	1	CABLE ASSY., RTK Radio to Antenna
17	87582250	1	HARNESS, Chasis
18	425-104	4	NUT, 1/4"-20, G5, Optical Encoder
19	87423195	4	SPACER,
20	440570A1	4	STUD,
21	87346979	1	CONTROL, Module, NAV II

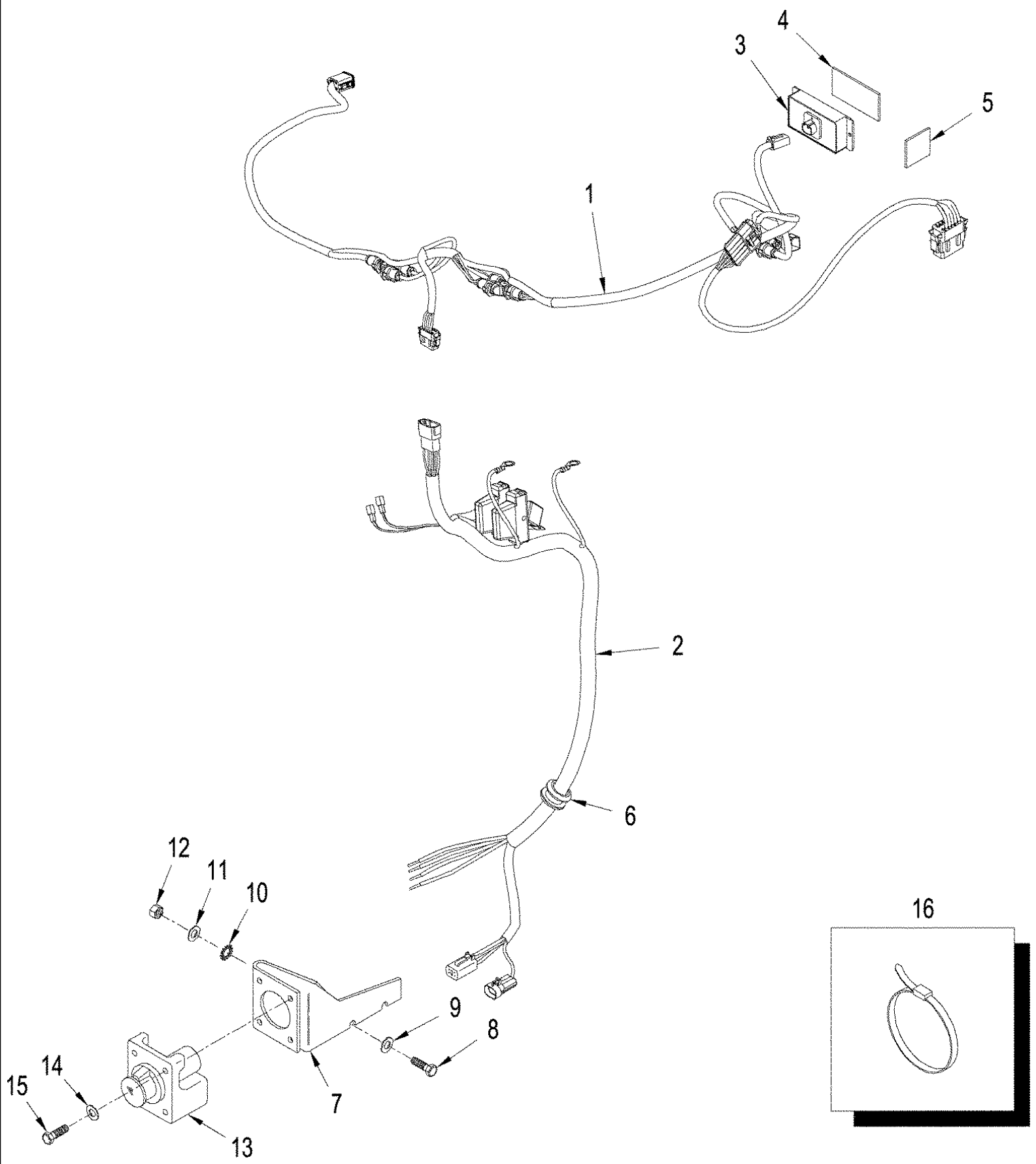
04-35 SENSOR - HITCH POSITION



STX530 CASE IH 4WD TRACTOR (BTW Z6F100023 - Z6F105001)

04-35 SENSOR - HITCH POSITION

сылка	Номер детали	Кол-во	Описание
1	283659A1	1	SENSOR, Hitch Position
2	305020A2	1	BUSHING,
3	614-5045	3	BOLT, Hex, M5 x 45, 8.8, Full Thd,
4	895-11005	3	WASHER, M5 x 10 x 1,
5	832-10405	3	NUT, LOCK, M5 x .8, CI 8,
6	353926A1	1	ARM, Sensor
7	800-4310	2	CIRCLIP, M10,
8	358978A1	1	ROD, Tie
9	892-11008	2	WASHER, LOCK, M8,
10	829-1408	2	NUT, M8, CI 10,

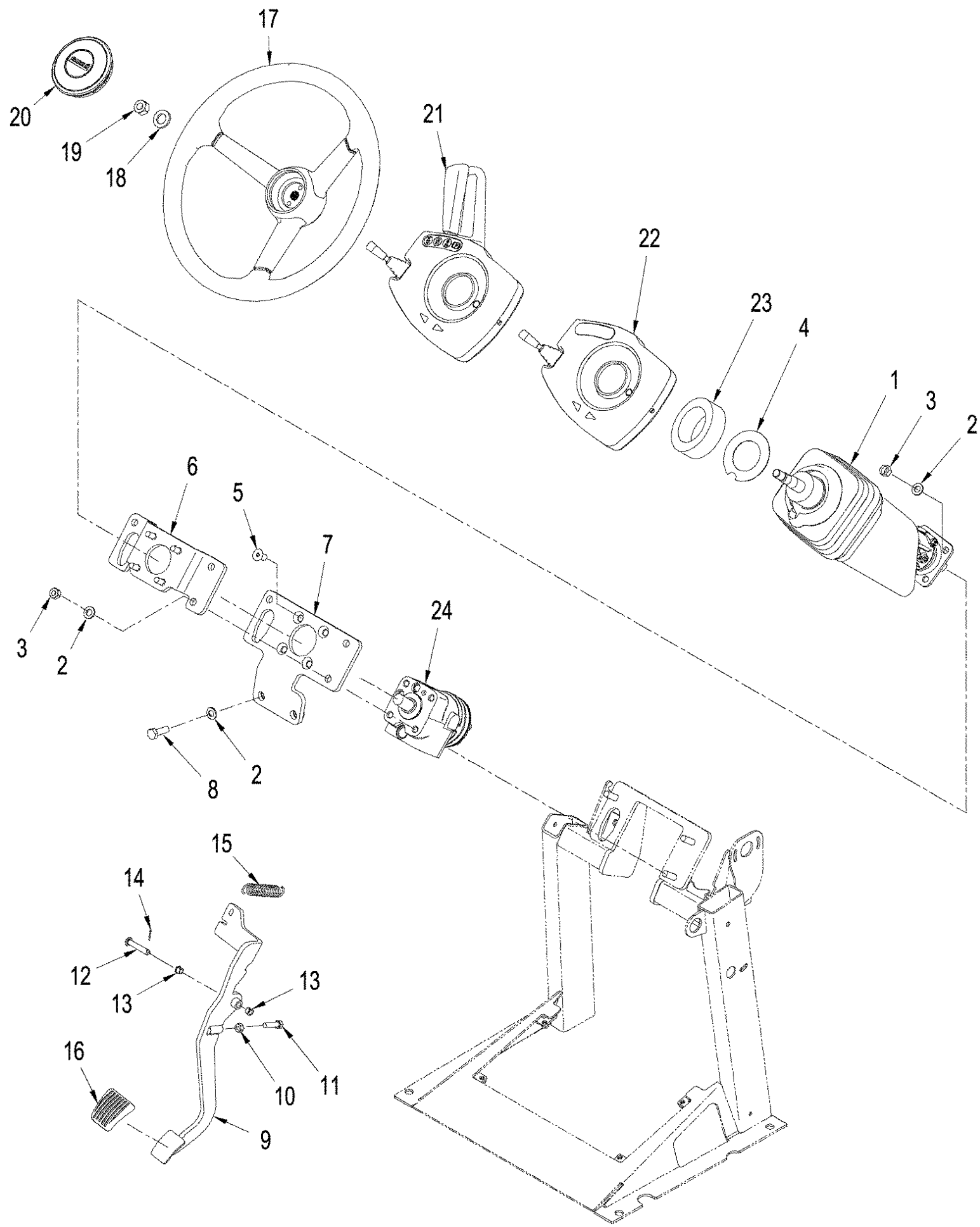


STX530 CASE IH 4WD TRACTOR (BTW Z6F100023 - Z6F105001)

04-36 HARNESS - ISO IMPLEMENT

сылка	Номер детали	Кол-во	Описание
1	87566384	1	HARNESS, ISO Cab
2	87342623	1	HARNESS, ISO Chasis
3	284638A2	1	CONNECTOR, ELEC, Active Terminator
4	406450A1	2	FASTENER, Dual Lock
5	406449A1	1	FASTENER, Dual Lock
6	328265A1	1	GROMMET,
7	87359272	1	BRACKET, Connector
8	627-10035	2	BOLT, Hex, M10 x 35, 10.9, Full Thd,
9	895-18010	2	WASHER, M10 x 18 x 1.6,
10	893-11010	2	WASHER, LOCK, Ext Tooth, M10,
11	892-11010	2	WASHER, LOCK, M10,
12	829-1410	2	NUT, M10, CI 10,
13	87418273	1	CONNECTOR, ELEC, Receptacle box
14	895-11006	4	WASHER, M6,
15	779-14625	4	SCREW, SELF TAPPING, Hex Hd, M6.3 x 25,
16	435437A1	11	STRAP, CABLE, 3/16" x 7 1/4", 175 - 200 mm

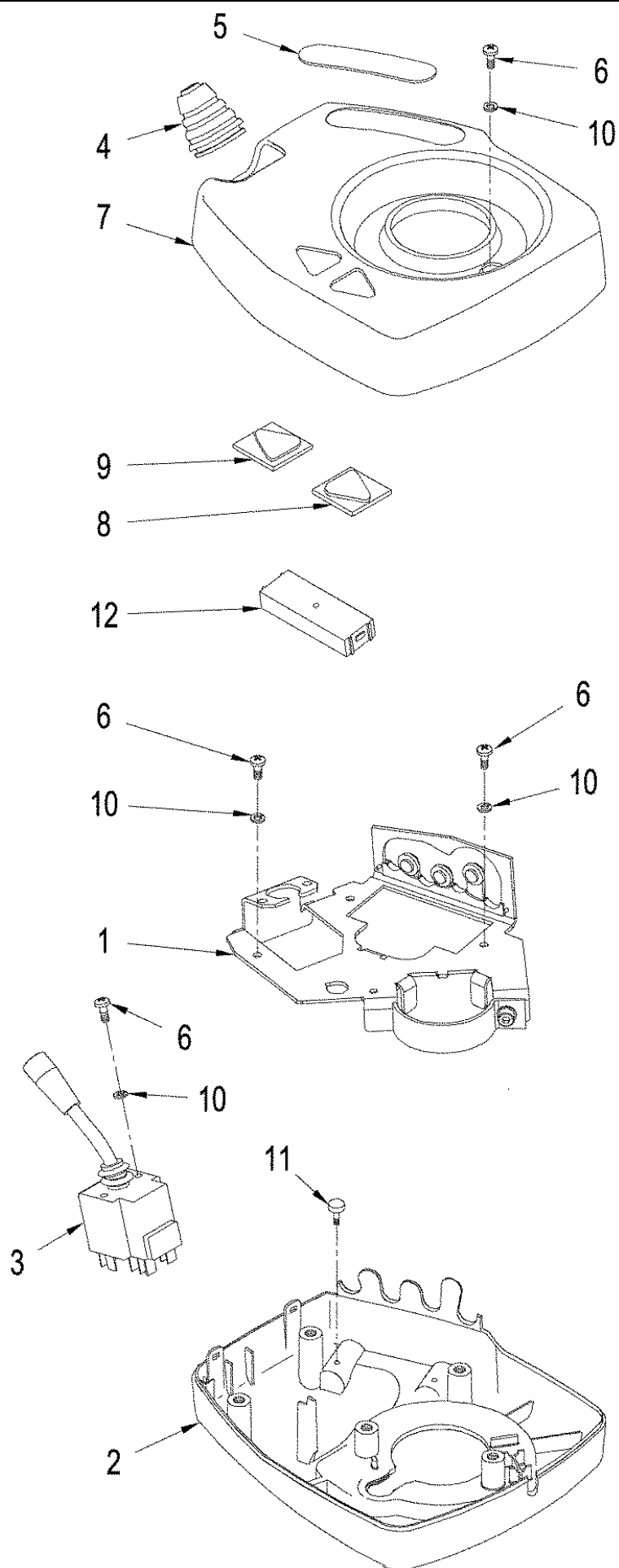
05-01 STEERING WHEEL AND COLUMN



05-01 STEERING WHEEL AND COLUMN

сылка	Номер детали	Кол-во	Описание
1	87387459	1	STEERING COLUMN, See Figure: 05-04
2	895-11010	9	WASHER, M10 x 20 x 2,
3	829-1410	7	NUT, M10, CI 10,
4	1977448C2	1	WASHER, Support
5	220056A1	4	SCREW, Hex Soc Flat Hd, M10 x 20, 8.8,
6	87448525	1	BRACKET, Mounting, Steering Column
7	87309685	1	BRACKET, Mounting, Column / Pump
8	614-10030	2	BOLT, Hex, M10 x 30, 8.8,
9	87448446	1	PEDAL, w/ Steering Adjustment
10	829-1508	1	NUT, M8, CI 10,
11	514-633	1	BOLT, Hex, M8 x 30, 8.8, Full Thd,
12	729-845	1	PIN, CLEVIS, M8 x 45,
13	282892A1	2	BUSHING, Nylon
14	733-2012	1	PIN, SPLIT (COTTER), M2 x 12,
15	311812A1	1	SPRING, Extension
16	323657A1	1	PAD, Foot Release Pedal
17	301200A1	1	WHEEL (STEERING), , Deluxe Cab
17	359033A1	1	WHEEL (STEERING), , Luxury Cab
18	896-11016	1	WASHER, M17.5 x 30 x 4, HT,
19	825-11414	1	NUT, M14 x 1.5, CI 8,
20	361024A3	1	CAP, Medallion, Steering Wheel
21	86993721	1	CONTROL, Transmission, w/ Self Cancel, See Figure: 05-03, With Power Shift Transmission
22	414332A1	1	CONTROL, Transmission, w/ Self Cancel, See Figure: 05-02, With Manual Shift Transmission
23	253679A1	1	RING, Magnetic
24	87426127	1	STEERING HYDRAULIC, Control Valve, See Figure: 05-08

05-02 TRANSMISSION CONTROL ASSEMBLY, WITH MANUAL SHIFT TRANSMISSION

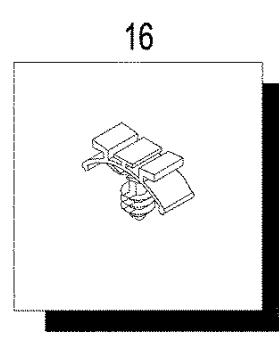
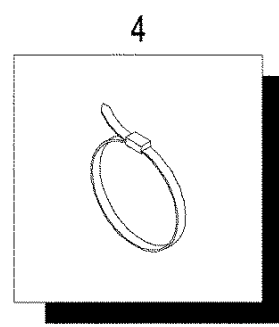
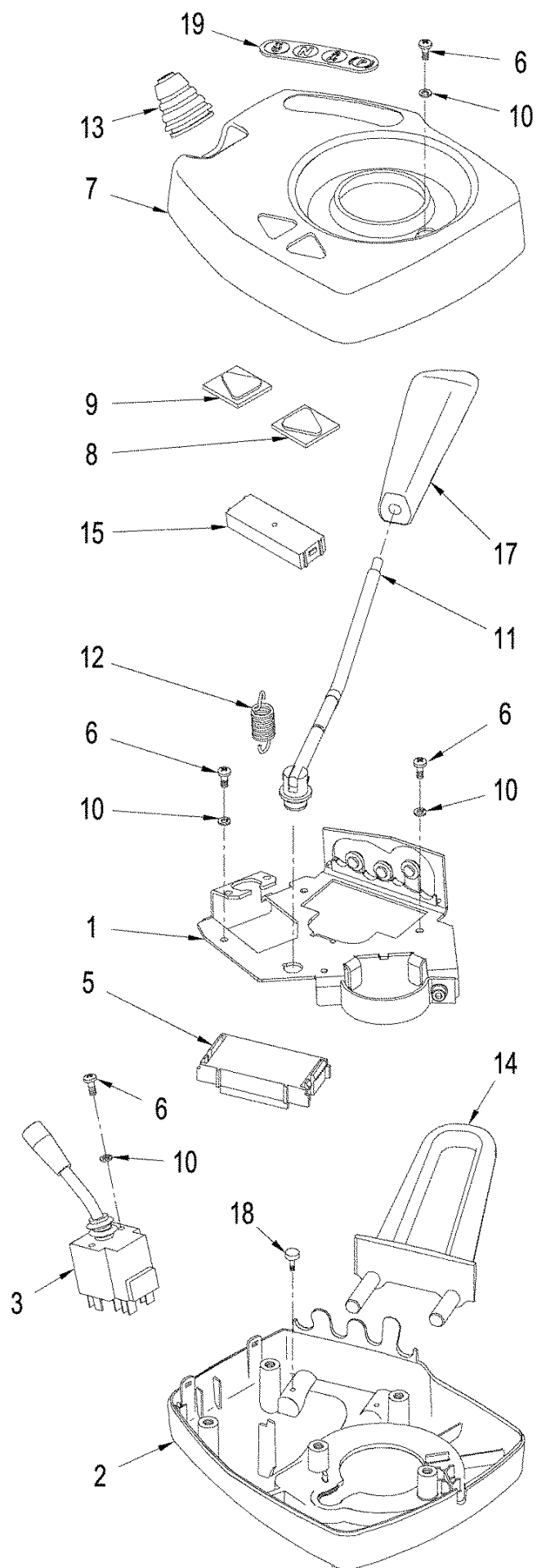


STX530 CASE IH 4WD TRACTOR (BTW Z6F100023 - Z6F105001)

05-02 TRANSMISSION CONTROL ASSEMBLY, WITH MANUAL SHIFT TRANSMISSION

сылка	Номер детали	Кол-во	Описание
	414332A1	1	CONTROL, Transmission, Inc. 1 - 3, 5 - 10, 12 & 13, With Self Cancel
1	325362A1	1	CHASSIS, Transmission Control
2	NSS	1	NOT SERVICED SEPARATELY, Housing, Lower
3	284777A1	1	SWITCH, Turn Signal, With Self Cancel
4	325068A1	1	BELLOWS,
5	414330A1	1	DECAL, Plate, FNRP
6	840-1410	7	SCREW, Cross Pan Hd, M4 x 10,
7	NSS	1	NOT SERVICED SEPARATELY, Housing, Upper
8	303466A1	1	SYMBOLS, Right-Hand Turn Signal
9	303467A1	1	SYMBOLS, Left-Hand Turn Signal
10	892-11004	7	WASHER, LOCK, M4,
11	905974R1	2	SCREW, SELF TAPPING, Pan Hd, M2.9 x 13,
12	303465A2	1	LAMP, Flasher

05-03 TRANSMISSION CONTROL ASSEMBLY, WITH POWER SHIFT TRANSMISSION

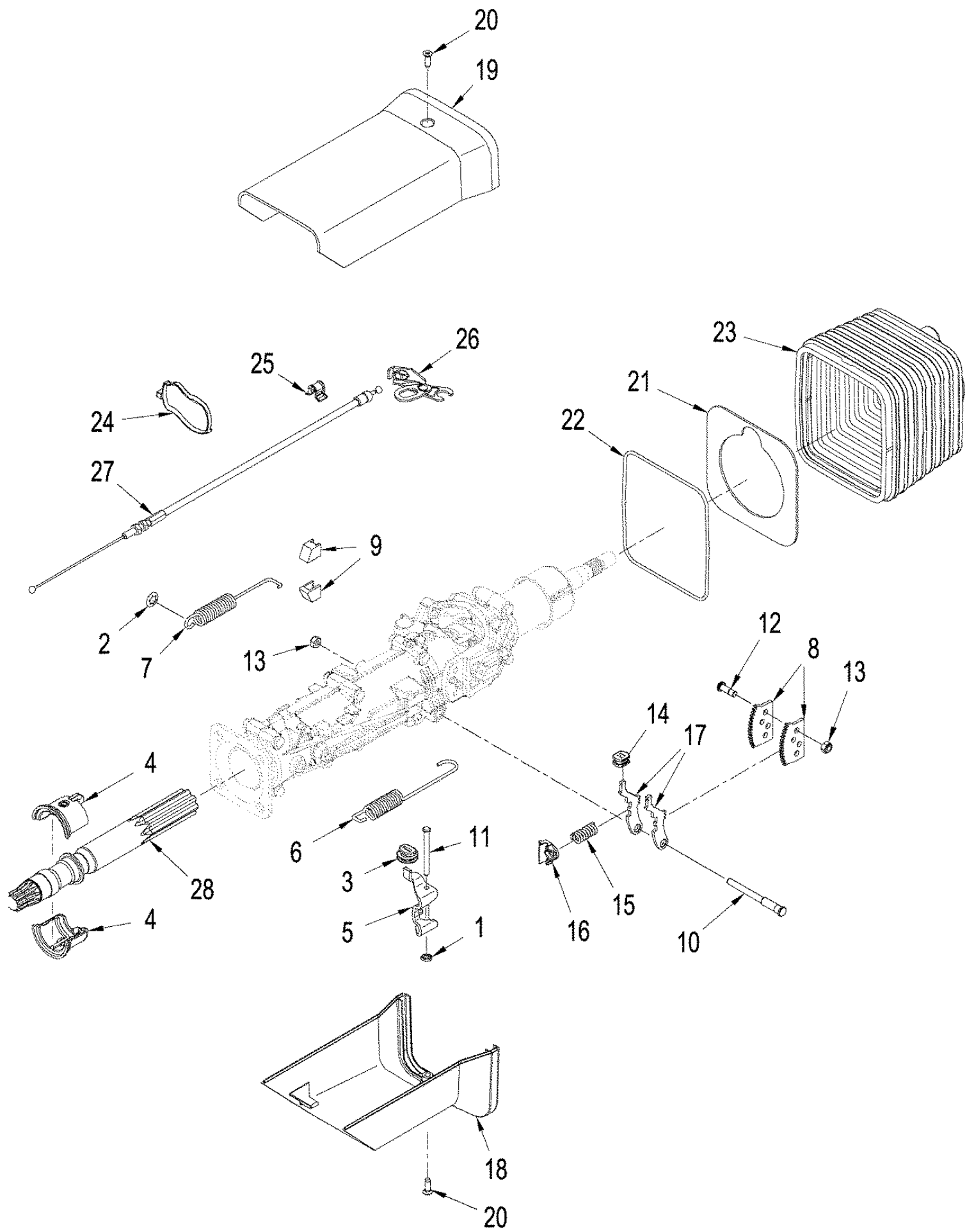


STX530 CASE IH 4WD TRACTOR (BTW Z6F100023 - Z6F105001)

05-03 TRANSMISSION CONTROL ASSEMBLY, WITH POWER SHIFT TRANSMISSION

сылка	Номер детали	Кол-во	Описание
	86993721	1	CONTROL, Transmission, Inc. 1 - 3, 5 - 15, 17 - 19, With Self Cancel
1	325362A1	1	CHASSIS, Transmission Control
2	325065A1	1	HOUSING, Lower
3	284777A1	1	SWITCH, Turn Signal, With Self Cancel
4	22-824	1	STRAP, CABLE, 3/16" x 7 1/4",
5	447256A2	1	SWITCH, FNRP
6	840-1410	7	SCREW, Cross Pan Hd, M4 x 10,
7	325064A1	1	HOUSING, Upper
8	303466A1	1	SYMBOLS, Right-Hand
9	303467A1	1	SYMBOLS, Left-Hand
10	892-11004	7	WASHER, LOCK, M4,
11	325363A1	1	LEVER, FNRP
12	250939A1	1	SPRING,
13	325068A1	1	BELLOWS,
14	325066A2	1	GUARD,
15	303465A2	1	LAMP, Flasher
16	392699A1	1	FASTENER,
17	325533A1	1	HANDLE, FNRP
18	905974R1	2	SCREW, SELF TAPPING, Pan Hd, M2.9 x 13,
19	358353A1	1	SYMBOLS, FNRP

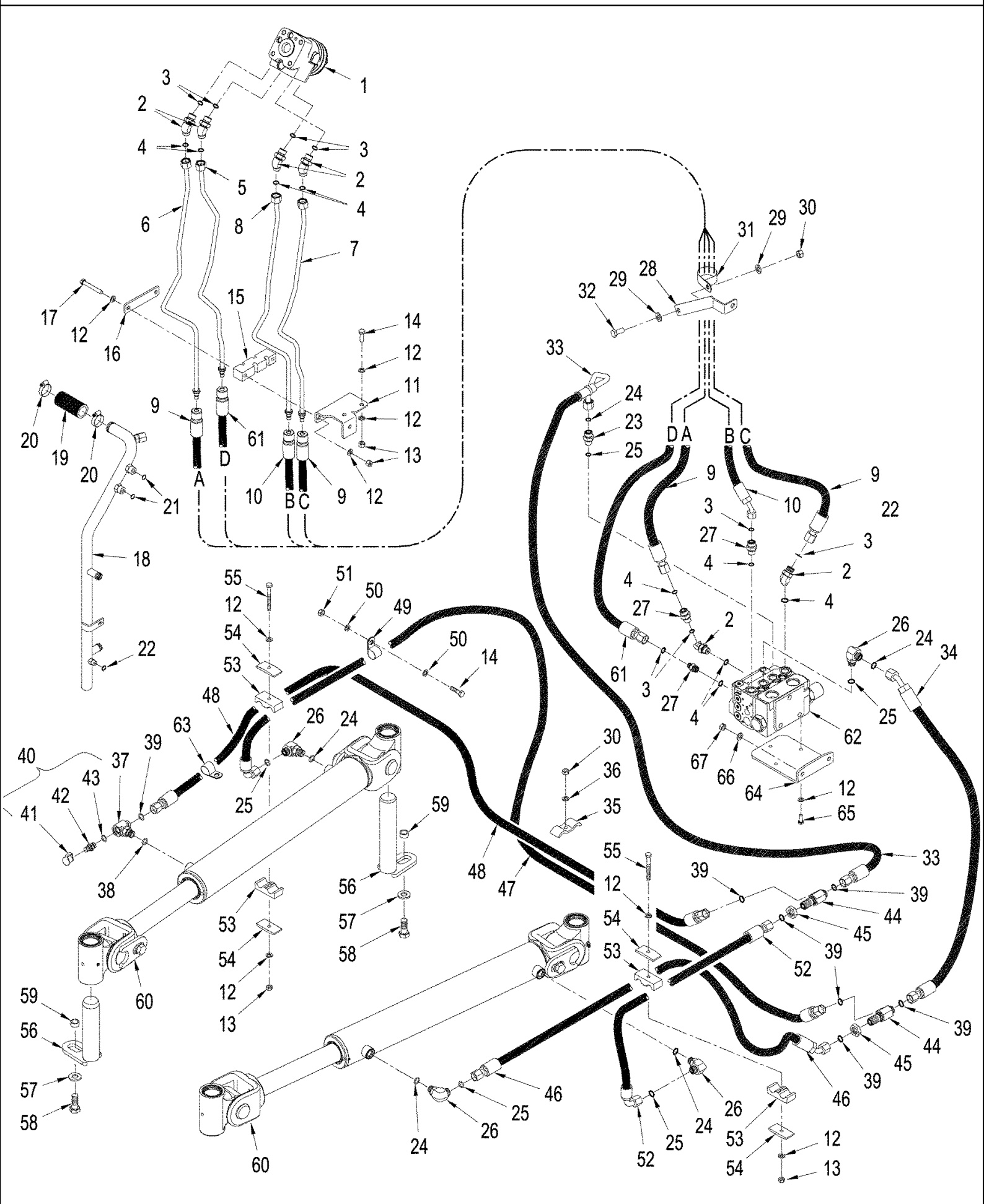
05-04 STEERING COLUMN ASSEMBLY



05-04 STEERING COLUMN ASSEMBLY

сылка	Номер детали	Кол-во	Описание
	87387459	1	STEERING COLUMN, Inc. 1 - 27
	87377005	1	KIT, SERVICE, Renovation, Inc. 1 - 17
1	NSS	1	NOT SERVICED SEPARATELY, Washer, Lock
2	NSS	1	NOT SERVICED SEPARATELY, Washer, Lock
3	NSS	1	NOT SERVICED SEPARATELY, Bushing, Telescoping Spring
4	NSS	2	NOT SERVICED SEPARATELY, Bearing, Axial
5	NSS	1	NOT SERVICED SEPARATELY, Arm, Regulating
6	NSS	1	NOT SERVICED SEPARATELY, Spring, Tilt Return
7	NSS	1	NOT SERVICED SEPARATELY, Spring, Telescoping
8	NSS	2	NOT SERVICED SEPARATELY, Plate, Tilt Position
9	NSS	2	NOT SERVICED SEPARATELY, Stop, Tilt, 24"
10	NSS	1	NOT SERVICED SEPARATELY, Clevis, Pin
11	NSS	1	NOT SERVICED SEPARATELY, Screw, Hook
12	NSS	2	NOT SERVICED SEPARATELY, Screw, M6 x 18
13	NSS	3	NOT SERVICED SEPARATELY, Nut, Locking, M6
14	NSS	1	NOT SERVICED SEPARATELY, Bushing, Catch
15	NSS	1	NOT SERVICED SEPARATELY, Spring, Catch
16	NSS	1	NOT SERVICED SEPARATELY, Spring, Seat
17	NSS	2	NOT SERVICED SEPARATELY, Catch
	87377007	1	KIT, SERVICE, Cover, Inc. 18 - 20
18	NSS	1	NOT SERVICED SEPARATELY, Cover, Upper
19	NSS	1	NOT SERVICED SEPARATELY, Cover, Lower
20	NSS	2	NOT SERVICED SEPARATELY, Screw, M5 x 16
	87377012	1	KIT, SERVICE, Boot, Inc. 21 - 23
21	NSS	1	NOT SERVICED SEPARATELY, Plate, Support
22	NSS	1	NOT SERVICED SEPARATELY, Wire, Support
23	NSS	1	NOT SERVICED SEPARATELY, Boot
	87377013	1	KIT, SERVICE, Release Lever, Inc. 24 - 27
24	NSS	1	NOT SERVICED SEPARATELY, Tie, Cable
25	NSS	1	NOT SERVICED SEPARATELY, Retainer, Cable
26	NSS	1	NOT SERVICED SEPARATELY, Lever, Release
27	NSS	1	NOT SERVICED SEPARATELY, Cable

05-05 HYDRAULICS - STEERING



STX530 CASE IH 4WD TRACTOR (BTW Z6F100023 - Z6F105001)

05-05 HYDRAULICS - STEERING

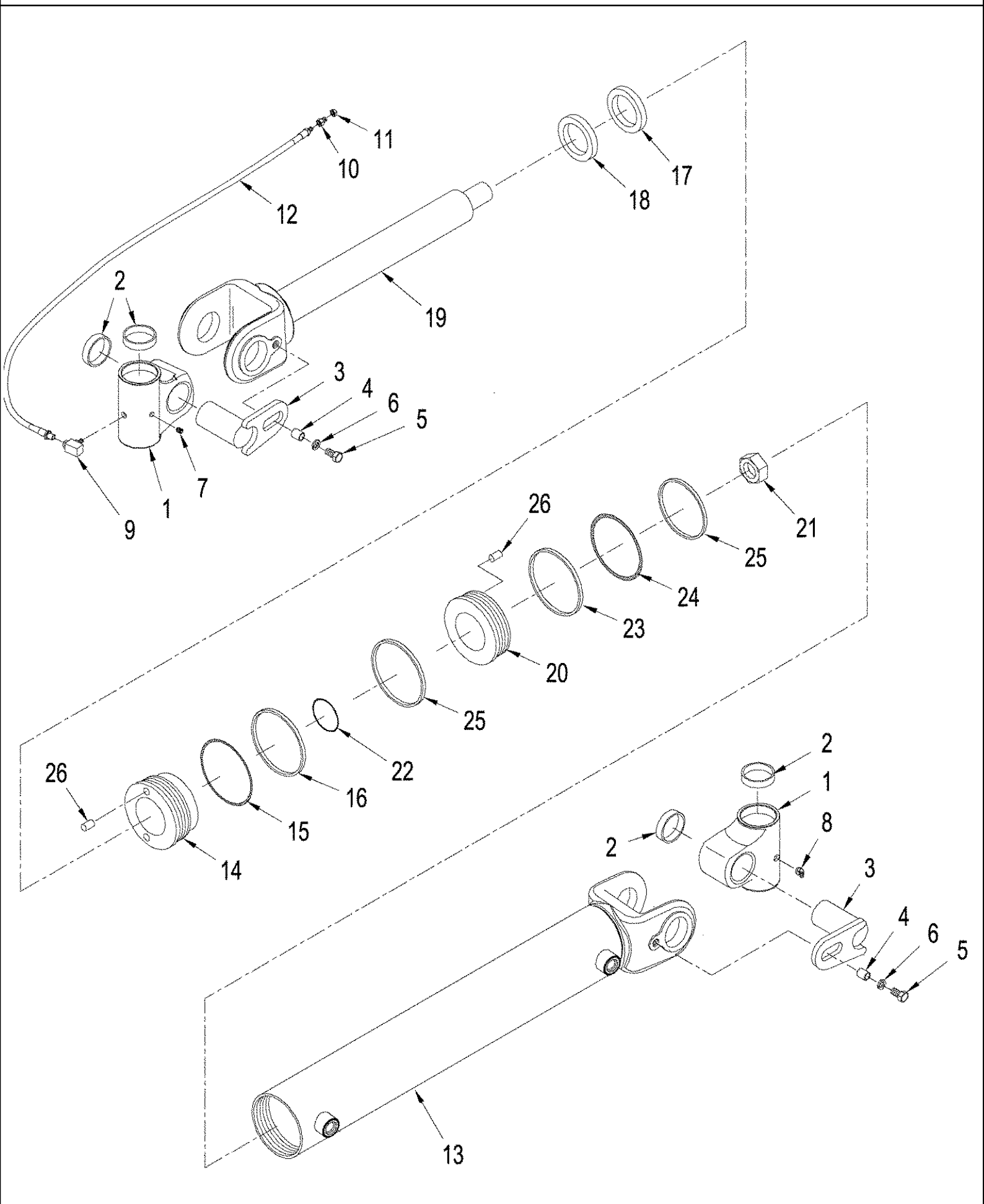
сылка	Номер детали	Кол-во	Описание
1	87426127	1	STEERING HYDRAULIC, Orbital, Steering Control, See Figure: 05-08
2	700-446	6	ELBOW, 45є, 11/16"-18 ORFS x M18 x 1.5 ORB, Inc. 3 & 4
3	637-64236	6	O-RING, CI 6, 23.6MM ID x 2.9 Thk,
4	238-6012	6	O-RING, -012, 90 Duro, .364" ID x .070" Thk,
5	87312091	1	TUBE, Port 'P', Steering Orbital to Priority Valve
6	87312093	1	TUBE, Port 'T', Steering Orbital to Priority Valve
7	87312089	1	TUBE, Port 'L', Steering Orbital to Priority Valve
8	87312087	1	TUBE, Port 'R', Steering Orbital to Priority Valve
9	87312095	2	HOSE, 838 mm (33"), Steering Orbital to Priority Valve
10	87312096	1	HOSE, 785 mm (31"), Steering Orbital to Priority Valve
11	87347856	1	BRACKET, Tube Holder
12	895-11008	27	WASHER, M8 x 16 x 1.6,
13	832-10408	14	NUT, LOCK, M8 x 1.25, CI 8,
14	627-8025	6	BOLT, Hex, M8 x 25, 10.9,
15	87403324	1	BRACKET, SUPPORTING, Tube Mounting
16	87436024	1	MOUNTING PARTS, Plate, Steering Control Tubes
17	827-8060	2	BOLT, Hex, M8 x 60, 10.9,
18	87439775	1	TUBE ASSY., Return, to Hydraulic Tank
19	1-4571	1	HOSE, 38 mm (1-1/2 in), to Hydraulic Tank
20	214-1436	2	CLAMP, HOSE, #36, 1.81/2.75 Type F Worm,
21	238-6016	2	O-RING, -016, 90 Duro, .614" ID x .070" Thk,
22	238-6014	1	O-RING, -014, 90 Duro, .489" ID x .070" Thk,
23	700-102	1	CONNECTOR, HYD., 13/16"-16 ORFS x M18 x 1.5 ORB, Inc. 24 & 25
24	637-63153	1	O-RING, CI 6, 15.3MM ID x 2.2 Thk,
25	238-6014	1	O-RING, -014, 90 Duro, .489" ID x .070" Thk,
26	700-305	4	ELBOW, 90є, 13/16"-18 ORFS x M18 x 1.5 ORB, Inc. 24 & 25
27	700-106	2	CONNECTOR, HYD., 11/16"-16 ORFS x M18 x 1.5 ORB, Inc. 3 & 4
28	87304378	1	BRACKET, Mounting, Steering Control Hoses
29	896-11012	3	WASHER, M13.5 x 24.5 x 3, HT,
30	829-1412	3	NUT, M12, CI 10,
31	515-25508	1	CLAMP, 2", Insul, 1/2" Bolt,
32	627-12025	1	BOLT, Hex, M12 x 25, 10.9,
33	87304379	1	HOSE ASSY.,
34	87439175	1	HOSE ASSY., 1257 mm (49-1/2")
35	242563A1	1	CLAMP,
36	892-11012	1	WASHER, LOCK, M12,
37	364967A1	1	TEE, M18 or x 12 fc sl, Inc. 38 & 39
38	637-63153	1	O-RING, CI 6, 15.3MM ID x 2.2 Thk,
39	238-6014	1	O-RING, -014, 90 Duro, .489" ID x .070" Thk,
40	178889A1	1	FITTING, Diagonstic, Inc. 41 - 43
41	H434163	1	DUST CAP, Dust
42	NSS	1	NOT SERVICED SEPARATELY, Fitting
43	637-63113	1	O-RING, CI 6, 11.3MM ID x 2.2 Thk,
44	701-423	2	TEE, 13/16"-16 ORFS, Blkd Run, Inc. 39
45	701-903	2	NUT, LOCK, 13/16"-16, ORFS Blkhhd,

STX530 CASE IH 4WD TRACTOR (BTW Z6F100023 - Z6F105001)

05-05 HYDRAULICS - STEERING

сылка	Номер детали	Кол-во	Описание
46	87439172	1	HOSE ASSY., 991 mm (39"), Articulation Cylinder to Priority Valve
47	87312871	1	HOSE, 1170 mm (45"), Articulation Cylinder to Priority Valve
48	367243A1	1	HOSE ASSY., 1605 mm (63"), Articulation Cylinder to Priority Valve
49	515-23286	1	CLAMP, 1 1/8", Insul, 3/8" Bolt,
50	895-15008	2	WASHER, M8 x 20 x 1.6,
51	829-1408	2	NUT, M8, CI 10,
52	367244A1	1	HOSE, 550 mm (21-1/2"), Articulation Cylinder to Priority Valve
53	50-2551T1	4	CLAMP,
54	50-2533T1	4	PLATE, Cover
55	827-8070	2	BOLT, Hex, M8 x 70, 10.9,
56	70-6085T2	2	PIN, 9-1/4"
57	496-21066	4	WASHER, 21/32" x 1 5/16" x .150",
58	627-16040	4	BOLT, Hex, M16 x 40, 10.9,
59	70-5967T1	4	SPACER,
60	406999A1	2	CYLINDER STEERING, Articulation, without Sensor, See Figure: 05-06
61	87312097	1	HOSE, 892 mm (35"), Steering Orbital to Priority Valve
62	87442925	1	VALVE, CONTROL, Priority / EHPS, See Figure: 08-15, BSN Z7F105376
62	87585897	1	VALVE, HYDRAULIC, Priority / EHPS. See Figure: 08-15, ASN Z7F105376
63	515-23206	6	CLAMP, 13/16", Insul, 3/8" Bolt,
64	87438129	1	BRACKET, SUPPORTING, EHPS / Priority Valve, BSN Z7F105578
64	87550230	1	BRACKET, EHPS / Priority Valve, ASN Z7F105578
65	627-8020	3	BOLT, Hex, M8 x 20, 10.9, , Used on Power Shift Models
65	627-8016	3	BOLT, Hex, M8 x 16, 10.9, , Used with Manual Shift Transmission
66	895-11010	2	WASHER, M10 x 20 x 2,
67	829-1410	2	NUT, M10, CI 10,

05-06 CYLINDER ASSEMBLY - ARTICULATION

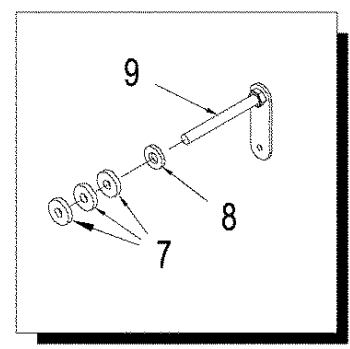
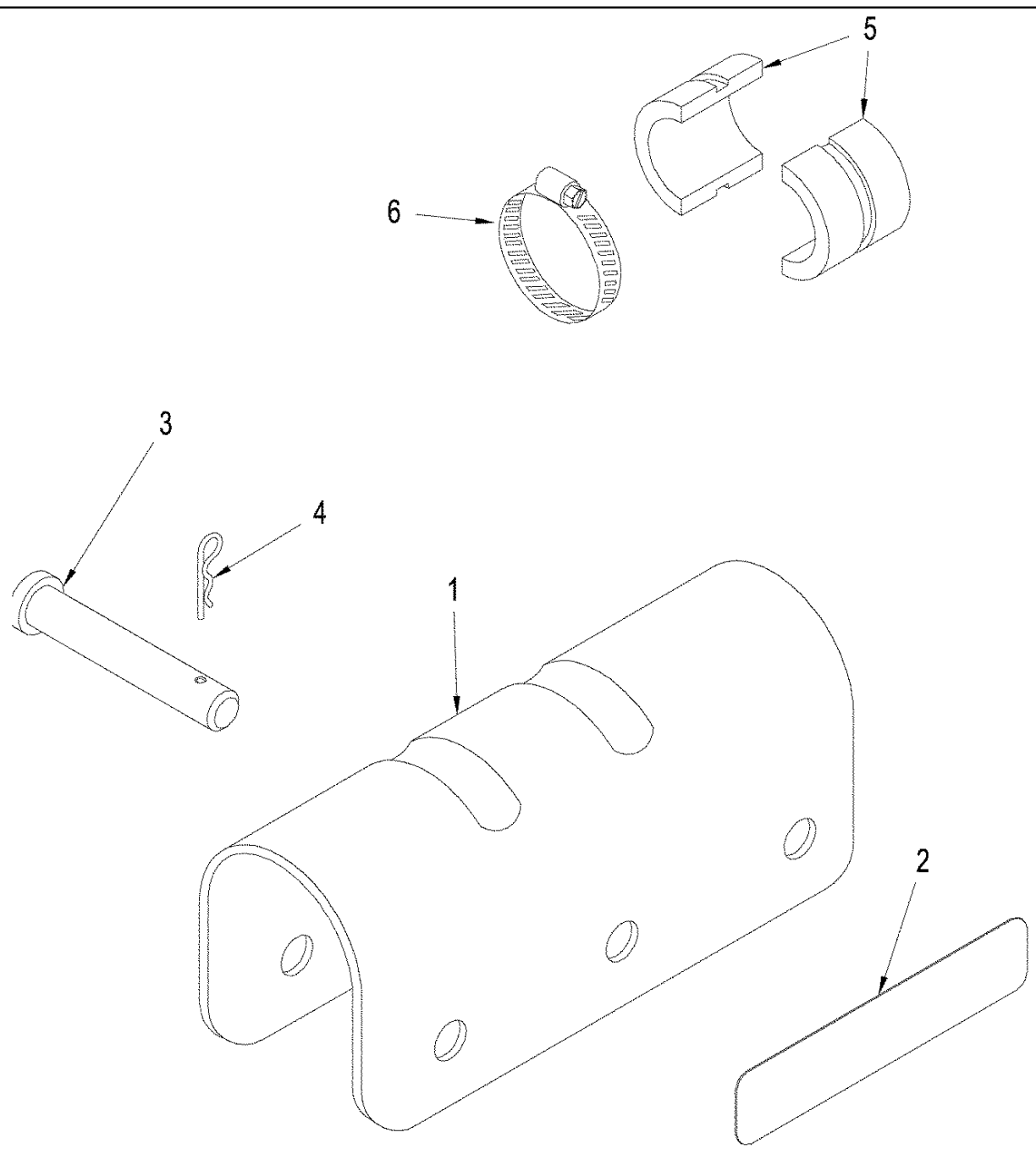


STX530 CASE IH 4WD TRACTOR (BTW Z6F100023 - Z6F105001)

05-06 CYLINDER ASSEMBLY - ARTICULATION

сылка	Номер детали	Кол-во	Описание
1	409685A1	2	JOINT,
2	D95143	8	SEAL,
3	70-6013T2	2	PIN,
4	70-5967T1	2	SPACER,
5	627-16035	2	BOLT, Hex, M16 x 35, 10.9,
6	896-11016	2	WASHER, M17.5 x 30 x 4, HT,
7	86637724	2	PLUG, Hex Soc, 1/8"-27 NPTF,
8	219-36	1	NIPPLE, LUBE, 45с, 1/8" NPT x 7/8" lg,
9	217-1014	1	ELBOW, 90с, 1/8"-27 Female x 1/8"-27 Male,
10	F53473	1	NUT,
11	86636814	1	NIPPLE, LUBE, 1/4"-28 x .52" lg,
12	1339090C1	1	HOSE, 838 mm (33")
	406999A1	1	CYLINDER STEERING, Inc. 13 - 26
13	387651A1	1	JACK BODY, Barrel
14	387652A1	1	CAP CYLINDER END,
15	NSS	1	NOT SERVICED SEPARATELY, Ring
16	NSS	1	NOT SERVICED SEPARATELY, O-Ring
17	NSS	1	NOT SERVICED SEPARATELY, Seal
18	NSS	1	NOT SERVICED SEPARATELY, Wiper
19	387650A1	1	ROD, PISTON,
20	387648A1	1	PISTON,
21	232-46320	1	NUT, LOCK, 1 1/4"-12, GC,
22	NSS	1	NOT SERVICED SEPARATELY, O-Ring
23	NSS	1	NOT SERVICED SEPARATELY, Ring, Piston
24	NSS	1	NOT SERVICED SEPARATELY, Seal, Piston
25	NSS	2	NOT SERVICED SEPARATELY, Ring, Wear
26	NSS	1	NOT SERVICED SEPARATELY, Screw
	387654A1	1	PACKAGE, SEALS, Inc. 15 - 18, 22 - 26

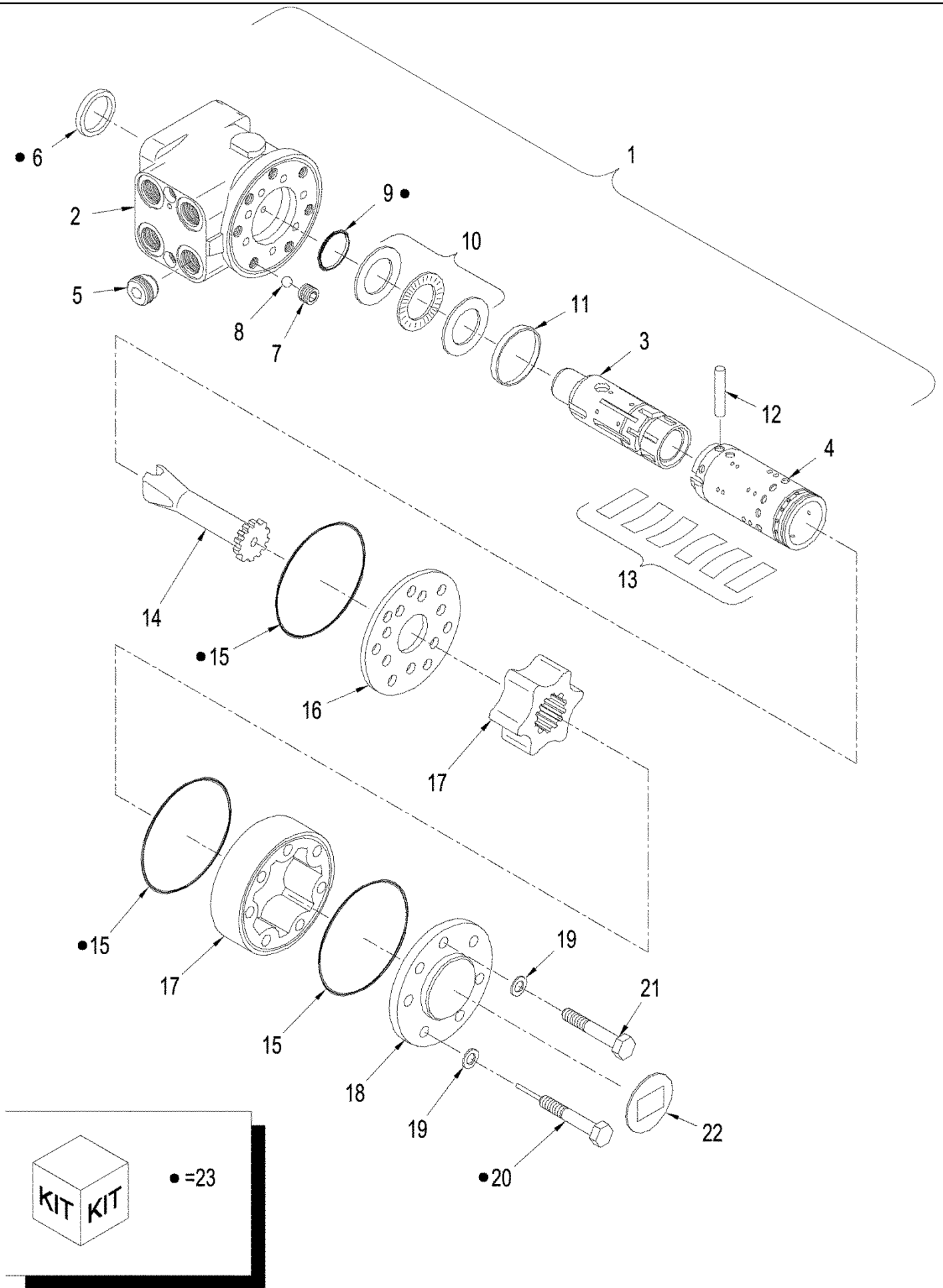
05-07 ARTICULATION LOCKS



05-07 ARTICULATION LOCKS

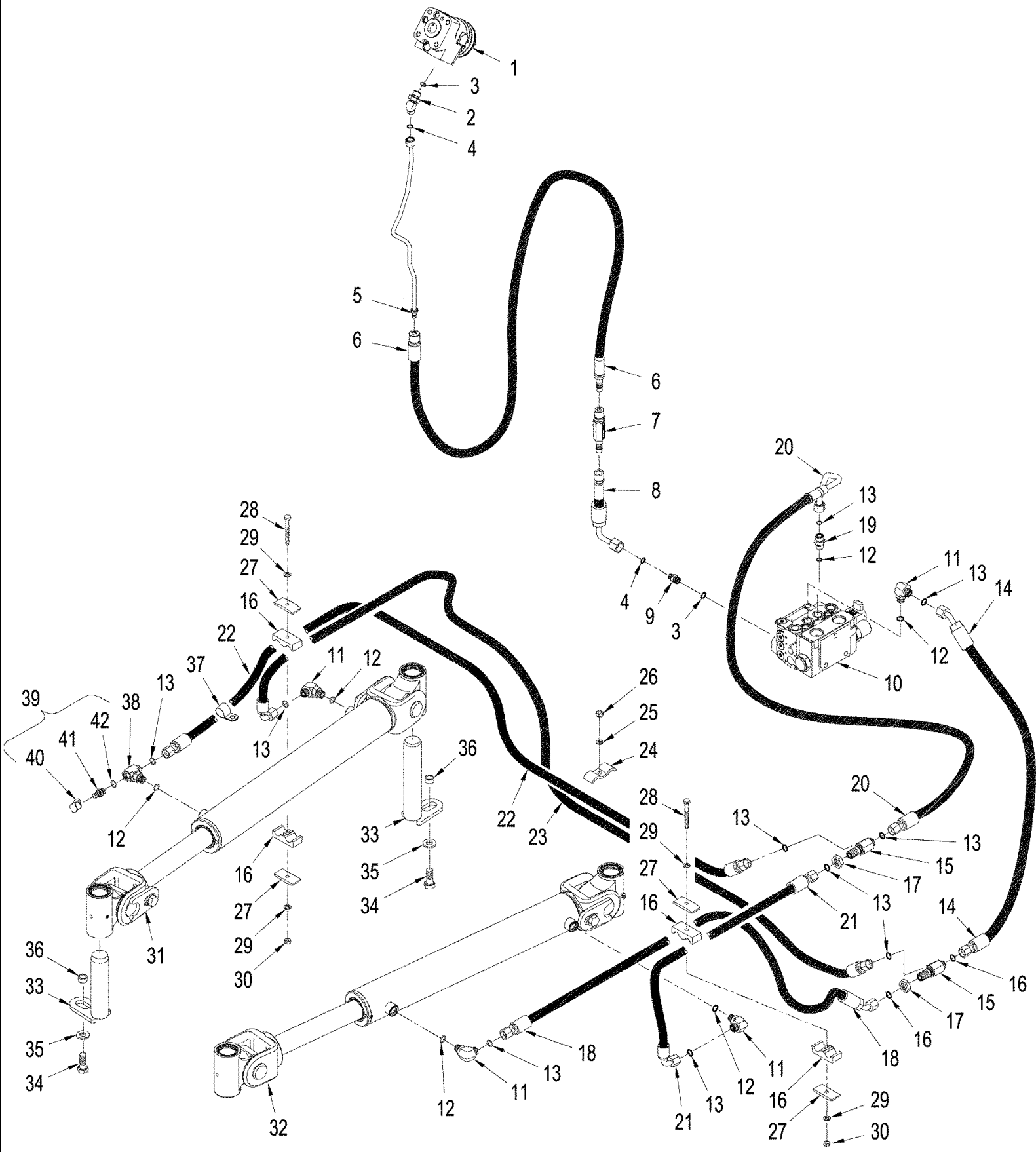
сылка	Номер детали	Кол-во	Описание
1	403824A2	1	LOCK, Articulation, QUADTRAC & Scraper Tractor
1	403820A2	1	LOCK, Articulation, with Stops, STX Wheel Tractor
1	403817A2	1	LOCK, Articulation, without Stops, STX Wheel Tractor
2	440518A1	1	DECAL, Locking Block
3	427-8325	1	PIN, CLEVIS, 1/2" x 3 1/4",
4	435425A1	1	PIN, Hair
5	403822A1	4	STOP, Articulation
6	214-1464	2	CLAMP, HOSE, #64, 3.56/4.50 Type F Worm, 3-9/16 - 4-1/2 in dia
7	321323A1	2	ADAPTER, Bushing
8	896-15012	1	WASHER, M12 x 28.5 x 4, HT,
9	406390A1	1	HANDLE, Mounting, Articulation Lock

05-08 STEERING CONTROL VALVE



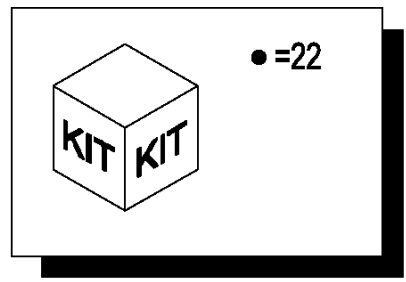
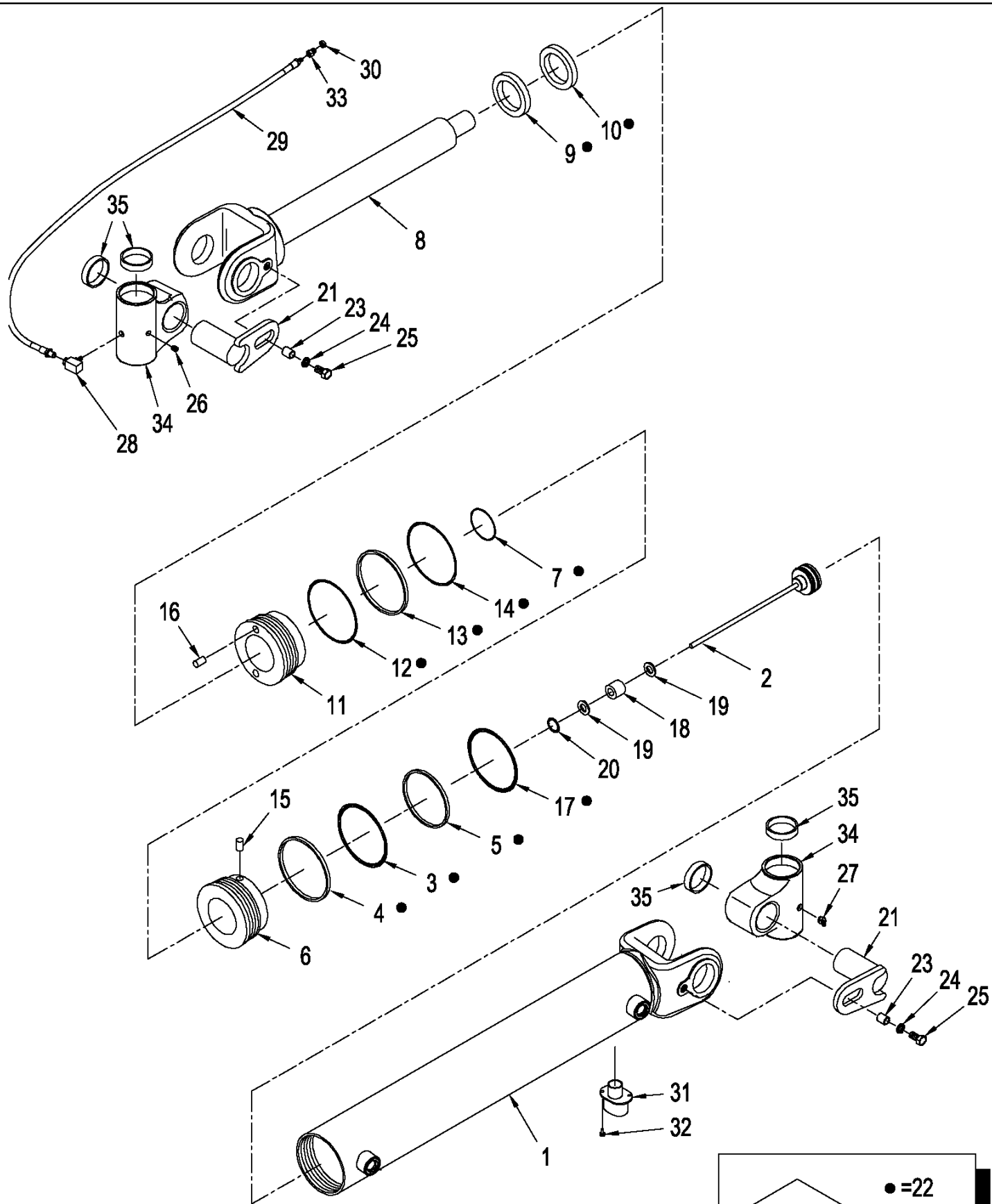
05-08 STEERING CONTROL VALVE

сылка	Номер детали	Кол-во	Описание
1	87426127	1	STEERING HYDRAULIC, Control Orbital, Inc. 2 - 22
2	NSS	1	NOT SERVICED SEPARATELY, Housing
3	NSS	1	NOT SERVICED SEPARATELY, Spool
4	NSS	1	NOT SERVICED SEPARATELY, Sleeve
5	NSS	1	NOT SERVICED SEPARATELY, Valve, Check
6	NSS	1	NOT SERVICED SEPARATELY, Seal, Dust Ring
7	NSS	1	NOT SERVICED SEPARATELY, Bushing
8	NSS	1	NOT SERVICED SEPARATELY, Ball
9	NSS	1	NOT SERVICED SEPARATELY, O-Ring
10	NSS	1	NOT SERVICED SEPARATELY, Bearing Assy.
11	NSS	1	NOT SERVICED SEPARATELY, Ring
12	NSS	1	NOT SERVICED SEPARATELY, Pin, Cross
13	NSS	6	NOT SERVICED SEPARATELY, Springs
14	NSS	1	NOT SERVICED SEPARATELY, Shaft, Cardan
15	NSS	3	NOT SERVICED SEPARATELY, O-Ring
16	NSS	1	NOT SERVICED SEPARATELY, Plate, Distributor
17	NSS	1	NOT SERVICED SEPARATELY, Gear Wheel, Set
18	NSS	1	NOT SERVICED SEPARATELY, Cover, End
19	NSS	7	NOT SERVICED SEPARATELY, Washer
20	NSS	1	NOT SERVICED SEPARATELY, Screw, with Pin
21	NSS	6	NOT SERVICED SEPARATELY, Screw
22	NSS	1	NOT SERVICED SEPARATELY, Plate, Name
23	87345879	1	KIT, Steering Valve Seal, Inc. 6, 9, 15, & 19

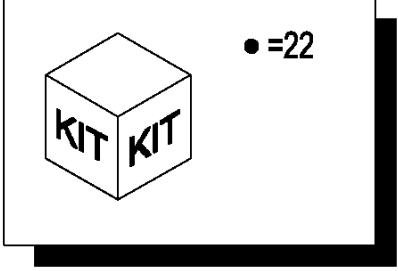
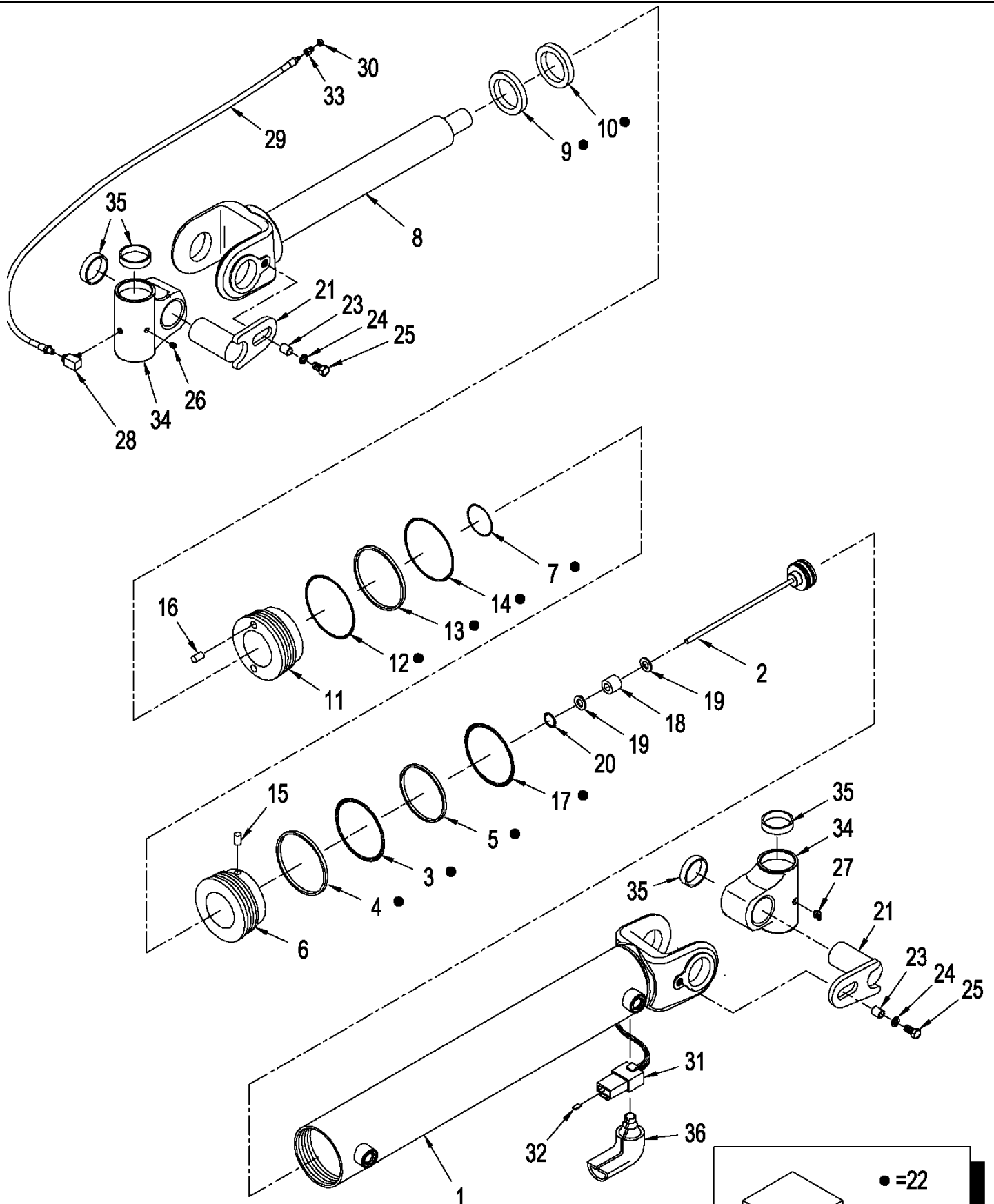


05-09 ACCUGUIDE - HYDRAULIC, STEERING

сылка	Номер детали	Кол-во	Описание
1	87426127	1	STEERING HYDRAULIC, Orbital Steering Control, See Figure: 05-08
2	700-446	1	ELBOW, 45є, 11/16"-18 ORFS x M18 x 1.5 ORB, Inc. 3 & 4
3	637-64236	6	O-RING, CI 6, 23.6MM ID x 2.9 Thk,
4	238-6012	6	O-RING, -012, 90 Duro, .364" ID x .070" Thk,
5	87312091	1	TUBE, Port 'P', Steering Orbital to Priority Valve
6	87347199	1	HOSE, Steering Orbital to Priority Valve
7	87452749	1	SWITCH, PRESSURE, In-Line Flow
8	87347197	1	HOSE, 160 mm (6-1/4"), Adapter
9	700-106	1	CONNECTOR, HYD., 11/16"-16 ORFS x M18 x 1.5 ORB, Inc. 3 & 4
10	87436468	1	VALVE, CONTROL, Priority, See Figure: 08-15, BSN Z7F105376
10	87585898	1	VALVE, HYDRAULIC, Priority, See Figure: 08-15, ASN Z7F105376
11	700-305	4	ELBOW, 90є, 13/16"-18 ORFS x M18 x 1.5 ORB, Inc. 12 & 13
12	637-63153	1	O-RING, CI 6, 15.3MM ID x 2.2 Thk,
13	238-6014	1	O-RING, -014, 90 Duro, .489" ID x .070" Thk,
14	87439175	1	HOSE ASSY., 1257 mm (49-1/2"), Priority Valve to Articulation Cylinder
15	701-423	2	TEE, 13/16"-16 ORFS, Blkd Run, Inc. 13
16	50-2551T1	4	CLAMP,
17	701-903	2	NUT, LOCK, 13/16"-16, ORFS Blkhd,
18	87439172	1	HOSE ASSY., 991 mm (39"), Priority Valve to Articulation Cylinder
19	700-102	1	CONNECTOR, HYD., 13/16"-16 ORFS x M18 x 1.5 ORB, Inc. 12 & 13
20	87304379	1	HOSE ASSY., 1308 mm (51-1/2"), Priority Valve to Articulation Cylinder
21	367244A1	1	HOSE, 550 mm (21-1/2"), Priority Valve to Articulation Cylinder
22	367243A1	1	HOSE ASSY., 1605 mm (63"), Priority Valve to Articulation Cylinder
23	87312871	1	HOSE, 1170 mm (46"), Priority Valve to Articulation Cylinder
24	242563A1	1	CLAMP,
25	892-11012	1	WASHER, LOCK, M12,
26	829-1412	3	NUT, M12, CI 10,
27	50-2533T1	4	PLATE, Cover
28	827-8070	2	BOLT, Hex, M8 x 70, 10.9,
29	895-11008	4	WASHER, M8 x 16 x 1.6,
30	832-10408	2	NUT, LOCK, M8 x 1.25, CI 8,
31	87529571	1	CYLINDER STEERING, Steering Articulation, with Sensor, See Figure: 05-10, BSN Z7F105338
31	87552147	1	CYLINDER STEERING, Articulation, with Sensor, See Figure: 05-10 (01), ASN Z7F105338
32	406999A1	1	CYLINDER STEERING, Articulation, without Sensor, See Figure: 05-06
33	70-6085T2	2	PIN, 9-1/2"
34	627-16040	4	BOLT, Hex, M16 x 40, 10.9,
35	496-21066	4	WASHER, 21/32" x 1 5/16" x .150",
36	70-5967T1	4	SPACER,
37	515-23206	1	CLAMP, 13/16", Insul, 3/8" Bolt,
38	364967A1	1	TEE, M18 or x 12 fc sl, Inc. 12 & 13
39	178889A1	1	FITTING, Diagnostic, Inc. 40 - 42
40	H434163	1	DUST CAP, Dust
41	NSS	1	NOT SERVICED SEPARATELY, Fitting
42	637-63113	1	O-RING, CI 6, 11.3MM ID x 2.2 Thk,



сылка	Номер детали	Кол-во	Описание
	87529571	1	CYLINDER STEERING, Inc. 1 - 20
1	87397776	1	CASE, Barrel
2	87328593	1	CYLINDER, Rod, Sensor, Rear Articulation
3	NSS	1	NOT SERVICED SEPARATELY, O-RING
4	NSS	1	NOT SERVICED SEPARATELY, SEAL Piston
5	NSS	1	NOT SERVICED SEPARATELY, RING Wear
6	87397773	1	PISTON,
7	NSS	1	NOT SERVICED SEPARATELY, O-RING
8	87397775	1	SHAFT,
9	NSS	1	NOT SERVICED SEPARATELY, WIPER
10	NSS	1	NOT SERVICED SEPARATELY, SEAL U-Cup
11	87397774	1	HEAD,
12	NSS	1	NOT SERVICED SEPARATELY, O-RING
13	NSS	1	NOT SERVICED SEPARATELY, RING, Backup
14	NSS	1	NOT SERVICED SEPARATELY, O-RING
15	NSS	1	NOT SERVICED SEPARATELY, Screw, Set
16	NSS	1	NOT SERVICED SEPARATELY, SCREW, Set, 1/4" x 3/8"
17	NSS	1	NOT SERVICED SEPARATELY, O-RING
18	87397843	1	MAGNET,
19	87397844	2	SPACER,
20	87532453	1	RING, SNAP, Retaining
21	70-6013T2	2	PIN,
22	87397777	1	KIT, SEALS, Inc. 3 - 5, 7, 9, 10, 12 - 14
23	70-5967T1	2	SPACER,
24	896-11016	2	WASHER, M17.5 x 30 x 4, HT,
25	627-16035	2	BOLT, Hex, M16 x 35, 10.9,
26	86637724	2	PLUG, Hex Soc, 1/8"-27 NPTF, Socketless Pipe
27	219-36	1	NIPPLE, LUBE, 45c, 1/8" NPT x 7/8" lg,
28	217-1014	1	ELBOW, 90c, 1/8"-27 Female x 1/8"-27 Male,
29	1339090C1	1	HOSE, Grease
30	F53473	1	NUT,
31	87364410	1	CONNECTOR, ELEC, 4 Pin Socket
32	87022296	4	SCREW, Cross Pan Hd, M3 x 8,
33	86636814	1	NIPPLE, LUBE, 1/4"-28 x .52" lg,
34	409685A1	2	JOINT, Knuckle
35	D95143	8	SEAL, Wiper, Rod

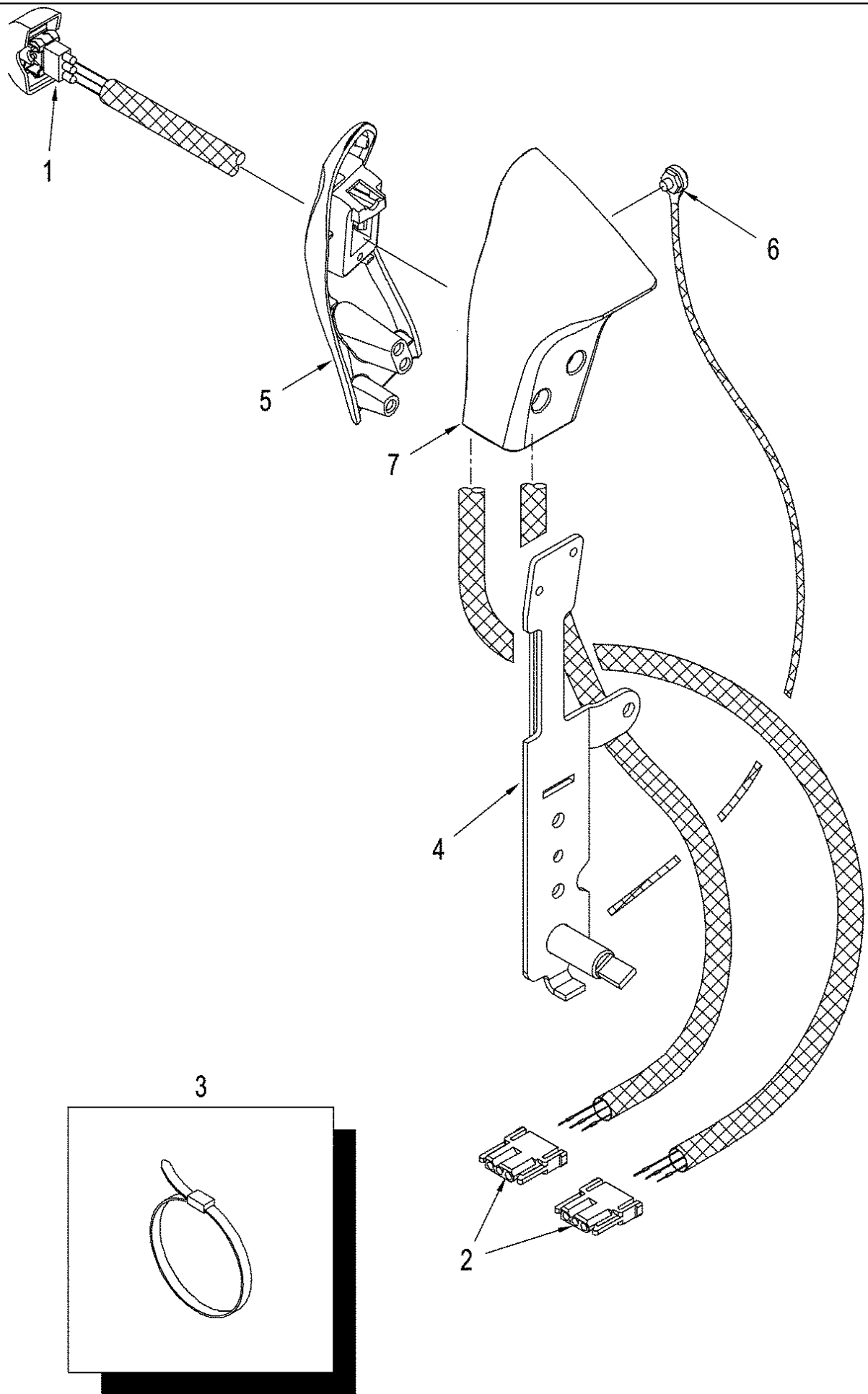


STX530 CASE IH 4WD TRACTOR (BTW Z6F100023 - Z6F105001)

05-10(01) ACCUGUIDE - CYLINDER ASSY., ARTICULATION W/ SENSOR, ASN Z7F105338

сылка	Номер детали	Кол-во	Описание
	87552147	1	CYLINDER STEERING, Inc. 1 - 20
1	87397776	1	CASE, Barrel
2	87552145	1	SENSOR, Rod, Rear Articulation
3	NSS	1	NOT SERVICED SEPARATELY, O-RING
4	NSS	1	NOT SERVICED SEPARATELY, SEAL Piston
5	NSS	1	NOT SERVICED SEPARATELY, RING Wear
6	87397773	1	PISTON,
7	NSS	1	NOT SERVICED SEPARATELY, O-RING
8	87397775	1	SHAFT,
9	NSS	1	NOT SERVICED SEPARATELY, WIPER
10	NSS	1	NOT SERVICED SEPARATELY, SEAL U-Cup
11	87397774	1	HEAD,
12	NSS	1	NOT SERVICED SEPARATELY, O-RING
13	NSS	1	NOT SERVICED SEPARATELY, RING, Backup
14	NSS	1	NOT SERVICED SEPARATELY, O-RING
15	NSS	1	NOT SERVICED SEPARATELY, Screw, Set
16	NSS	1	NOT SERVICED SEPARATELY, SCREW, Set, 1/4" x 3/8"
17	NSS	1	NOT SERVICED SEPARATELY, O-RING
18	87397843	1	MAGNET,
19	87397844	2	SPACER,
20	87532453	1	RING, SNAP, Retaining
21	70-6013T2	2	PIN,
22	87397777	1	KIT, SEALS, Inc. 3 - 5, 7, 9, 10, 12 - 14
23	70-5967T1	2	SPACER,
24	896-11016	2	WASHER, M17.5 x 30 x 4, HT,
25	627-16035	2	BOLT, Hex, M16 x 35, 10.9,
26	217-429	2	PLUG, Hex Soc, 1/8"-27 NPTF, Socketless Pipe
27	219-36	1	NIPPLE, LUBE, 45c, 1/8" NPT x 7/8" lg,
28	217-1014	1	ELBOW, 90c, 1/8"-27 Female x 1/8"-27 Male,
29	1339090C1	1	HOSE, Grease
30	F53473	1	NUT,
31	276426A1	1	CONNECTOR, ELEC, 4 Pin Socket
32	280448A1	1	LOCK, STOP, Wedge, Connector
33	219-20	1	NIPPLE, LUBE, 1/4"-28 x .52" lg,
34	409685A1	2	JOINT, Knuckle
35	D95143	8	SEAL, Wiper, Rod
36	87552166	1	SEAL, Connector, Rubber Boot

06-01 TRANSMISSION SHIFTER AND THROTTLE CONTROL

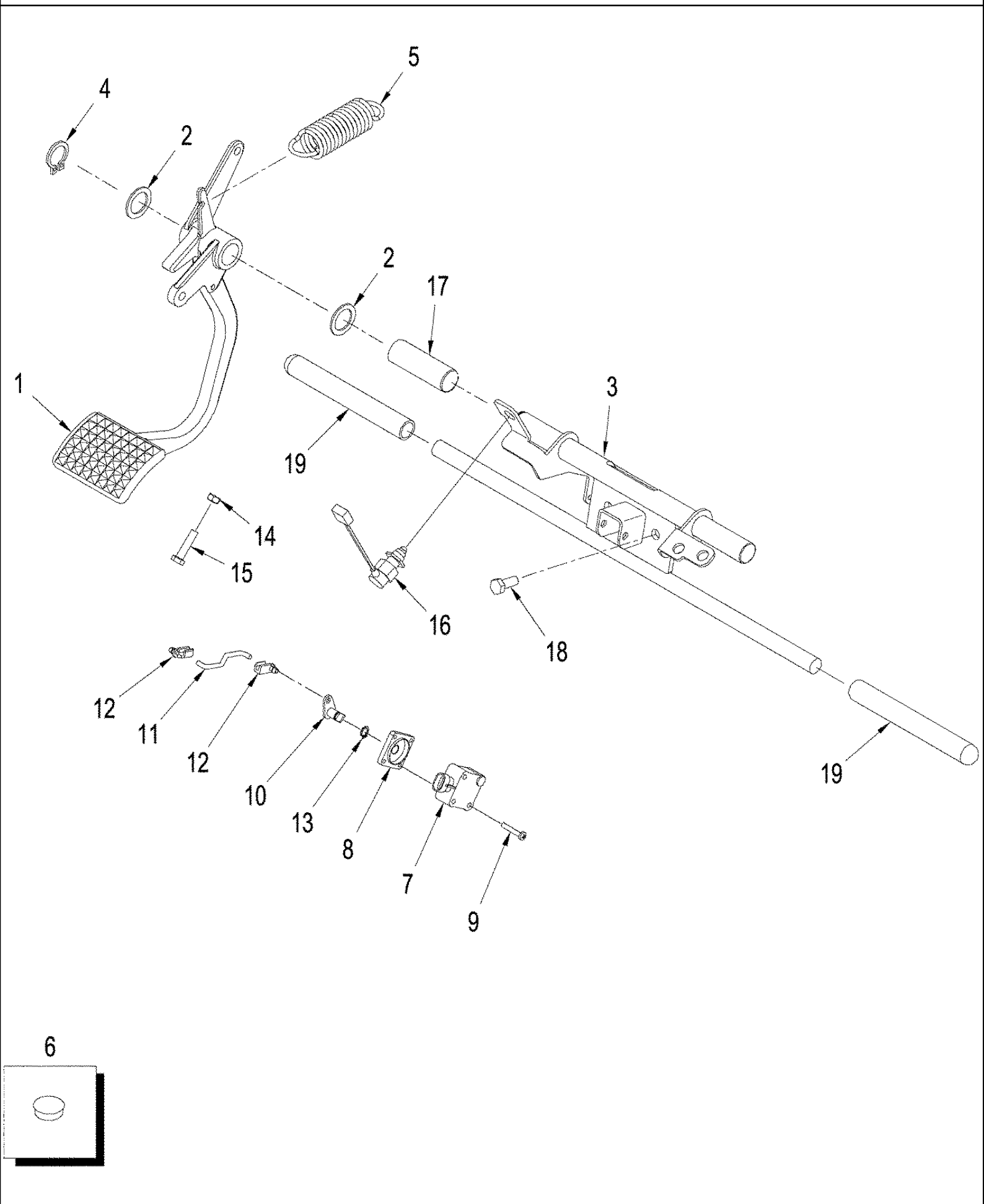


STX530 CASE IH 4WD TRACTOR (BTW Z6F100023 - Z6F105001)

06-01 TRANSMISSION SHIFTER AND THROTTLE CONTROL

сылка	Номер детали	Кол-во	Описание
1	258010A2	1	SWITCH, Up / Down Transmission Gear Shift, With Power Shift Transmission
1	428314A1	1	SWITCH, Hi / Low Transmission Shift, With Manual Shift Transmission
2	235676A1	2	CONNECTOR,
3	22-824	2	STRAP, CABLE, 3/16" x 7 1/4",
4	367607A1	1	BRACKET, Throttle / Transmission Shifter
5	87622401	1	GRIP, Switch Face
6	388706A1	1	PUSH BUTTON, Select-Shift, With Power Shift Transmission
7	293388A2	1	GRIP, Throttle, Vinyl, With Manual Shift Transmission
7	388705A1	1	GRIP, Throttle, Vinyl, With Power Shift Transmission
7	388864A1	1	GRIP, Throttle, Leather, With Power Shift Transmission

06-05 CLUTCH PEDAL, POWER SHIFT TRANSMISSION

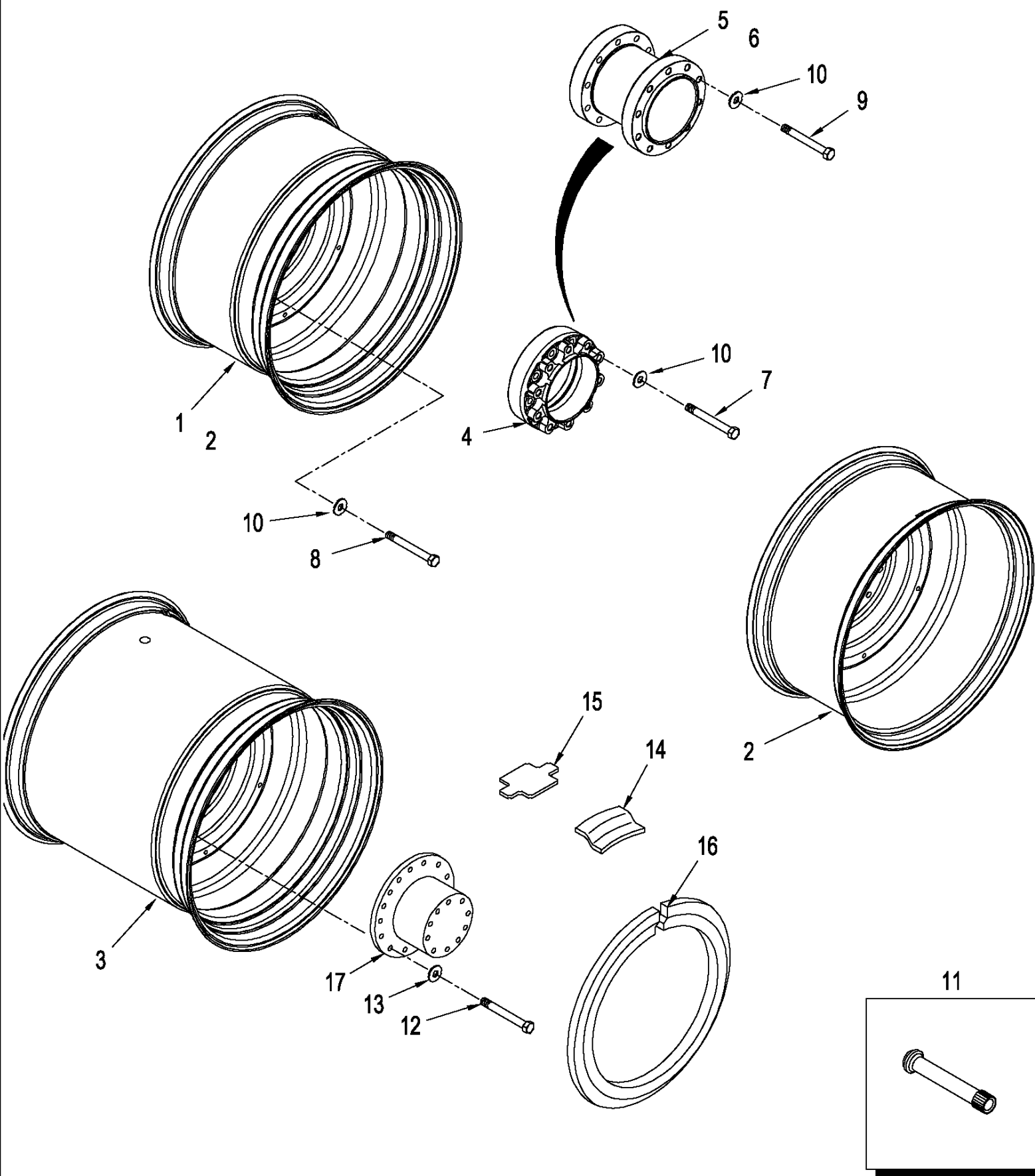


STX530 CASE IH 4WD TRACTOR (BTW Z6F100023 - Z6F105001)

06-05 CLUTCH PEDAL, POWER SHIFT TRANSMISSION

сылка	Номер детали	Кол-во	Описание
1	222462A2	1	PEDAL, Clutch
2	281093A1	2	WASHER,
3	87448885	1	SUPPORT, Tube, Clutch / Brake Pedal
4	627-10020	1	BOLT, Hex, M10 x 20, 10.9, Full Thd,
5	278210A1	1	SPRING,
6	353-422	1	PLUG, Dome, 1.250" hole, Nylon,
7	283659A1	1	SENSOR, Clutch Position
8	305155A2	1	BUSHING,
9	840-1530	2	SCREW, Cross Pan Hd, M5 x 30,
10	322409A1	1	PIN,
11	222463A2	1	LINK,
12	60-2404T1	2	RETAINER, Clip
13	800-1110	1	RING, SNAP, M10, Ext, M10
14	829-1408	1	NUT, M8, CI 10,
15	614-8035	1	BOLT, Hex, M8 x 35, 8.8,
16	355341A1	1	SWITCH, Plunger
17	281893A1	1	BEARING,
18	614-10025	2	BOLT, Hex, M10 x 25, 8.8, Full Thd,
19	321961A1	2	MOLDING,

06-06 WHEELS SINGLE AND DUALS WITH SPACERS

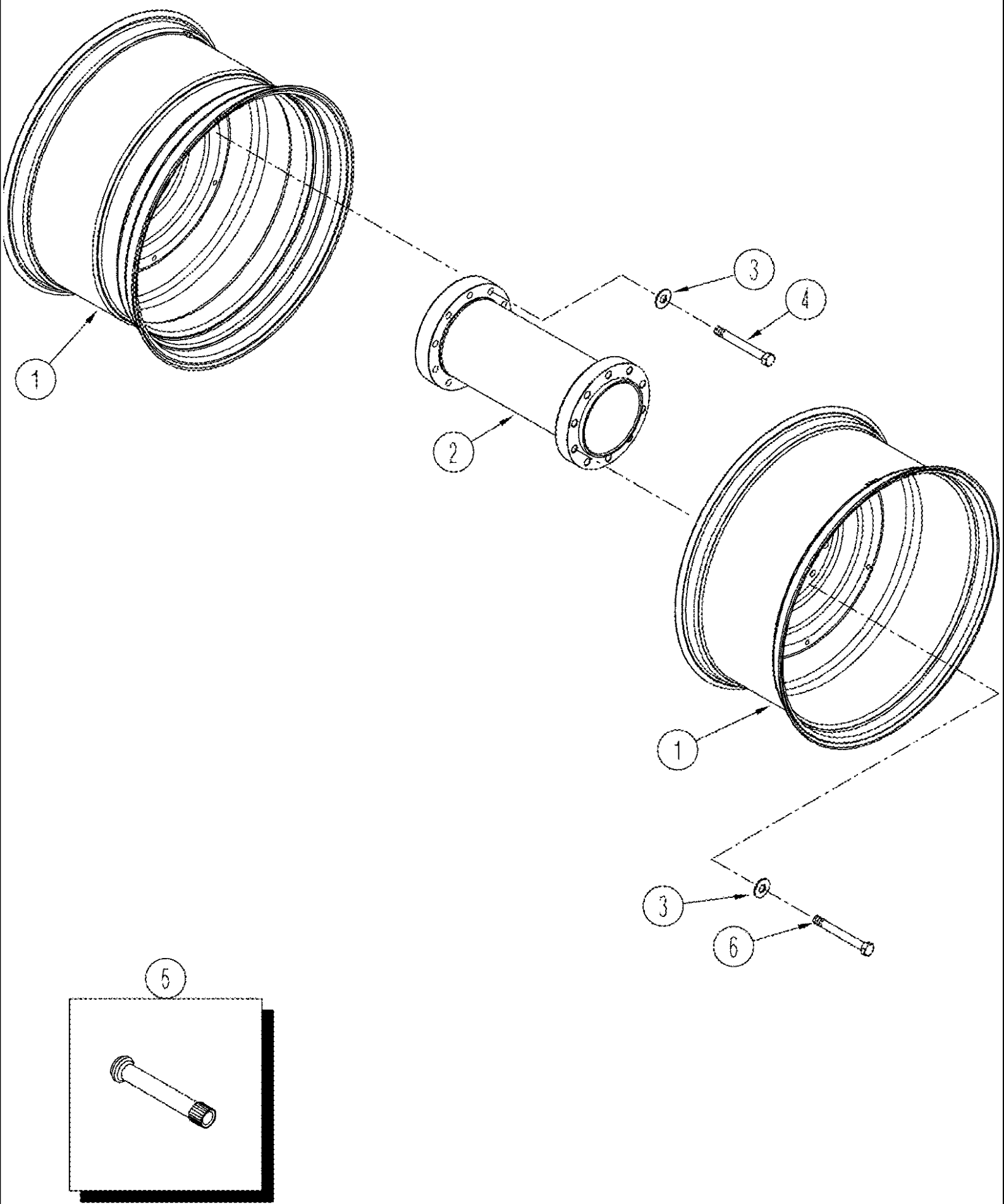


STX530 CASE IH 4WD TRACTOR (BTW Z6F100023 - Z6F105001)

06-06 WHEELS SINGLE AND DUALS WITH SPACERS

сылка	Номер детали	Кол-во	Описание
1	193273A1	AR	WHEEL, 27 x 32, Single, For Tires: 30.5L-32
2	305792A1	AR	WHEEL, MW23A x 42, Single or Dual, For Tires: 710/70R42
2	193300A2	AR	WHEEL, MW23A x 38, Single or Dual, For Tires: 650/85R38, 710/70R38, 710/65-38
2	396113A1	AR	RIM, W16A x 46, Single or Dual, For Tires: 480/80R46, 520/85R46, 18.4R46
2	222665A1	AR	WHEEL, W18A x 38, Single or Dual, For Tires: 520/85R38, 20.8R38
2	193857A1	AR	WHEEL, W18A x 42, Single or Dual, For Tires: 520/85R42, 20.8R42
2	276687A1	AR	WHEEL, MW20A x 42, Single or Dual, For Tires: 620/70R42
2	311352A1	AR	WHEEL, 28 x 42, Single or Dual, For Tires: 850/55-42, 900/50R42
2	403037A1	AR	WHEEL, MW 25 x 38, Single or Dual, For Tires: 800/70R38
2	196254A1	AR	WHEEL, W13 x 46, Single or Dual, For Tires: 420/80R46, 14.9R46
2	87443702	AR	WHEEL, 46 x FDW20A, Single or Dual, For Tires: 620/70R46
3	87312787	4	WHEEL, 32 x DWM44, For Tires: 76 x 50-32, Scraper Application, Used with Single Wheel Dual Hub Application
11	A20058	AR	VALVE STEM,
4	405822A1	1	SPACER, 127 mm (5 in)
5	405823A1	1	SPACER, 254 mm (10 in)
6	405824A1	1	SPACER, 330 mm (13 in)
7	827-22160	10	BOLT, Hex, M22 x 150, 10.9,
8	827-22080	40	BOLT, Hex, M22 x 80, 10.9, Full Thd,
9	827-22130	10	BOLT, Hex, M22 x 130, 10.9,
10	896-11022	40	WASHER, M22 x 44 x 4, HT,
12	627-16050	64	BOLT, Hex, M16 x 50, 10.9, , Scraper Application, Used with Single Wheel Dual Hub Application
13	896-11016	64	WASHER, M17.5 x 30 x 4, HT, , Scraper Application, Used with Single Wheel Dual Hub Application
14	87380382	1	RING, Side, with Driver Pocket, 32" x 1"
15	87380372	1	KEY, Driver
16	87380409	1	RING, Locking, 32" x 31" Type VA5
17	87380429	1	DISC, Hub Mounting, FC .375" x 24.625" OD / 10 Holes

06-07 WHEELS TRIPLES WITH SPACERS

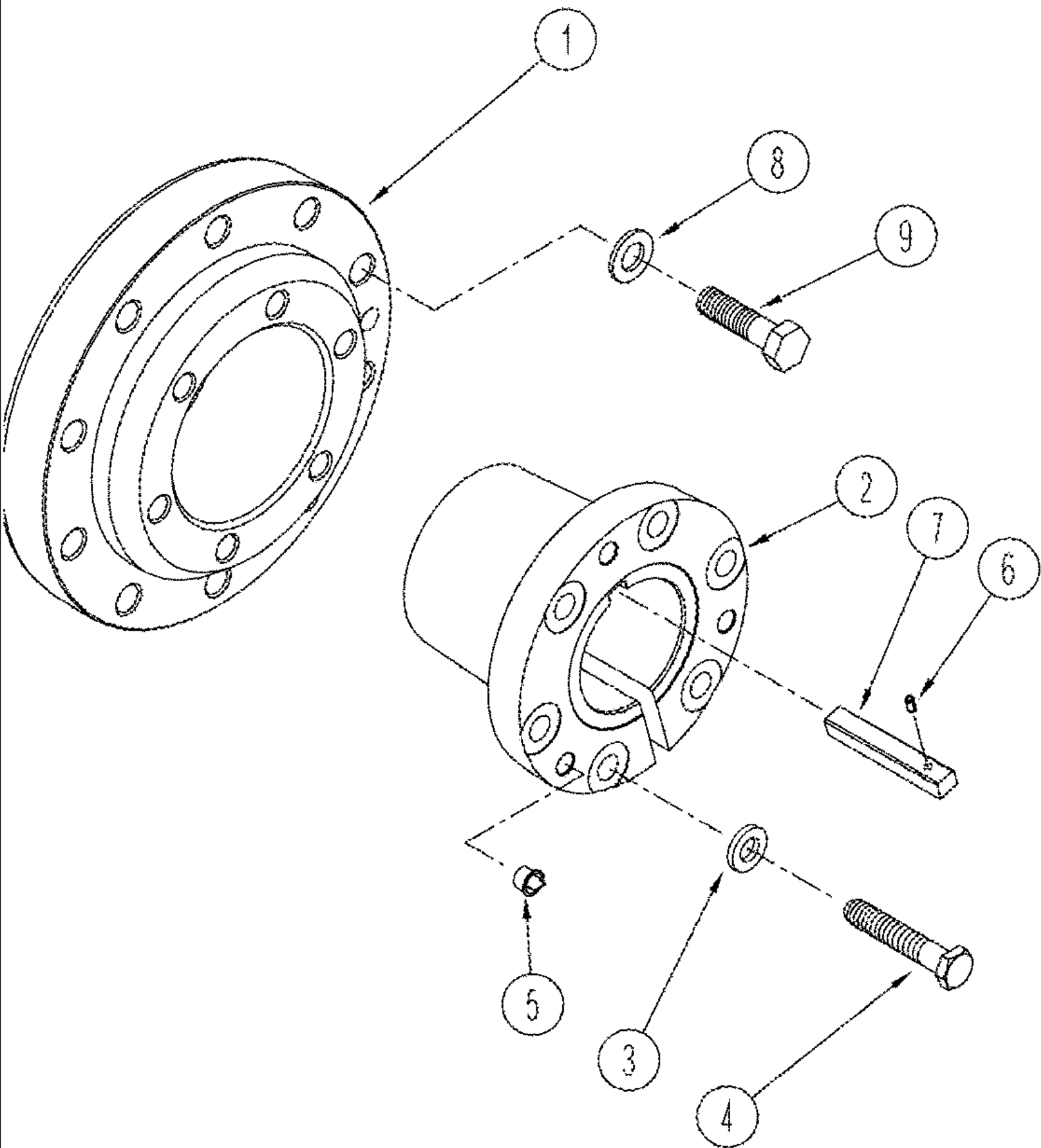


STX530 CASE IH 4WD TRACTOR (BTW Z6F100023 - Z6F105001)

06-07 WHEELS TRIPLES WITH SPACERS

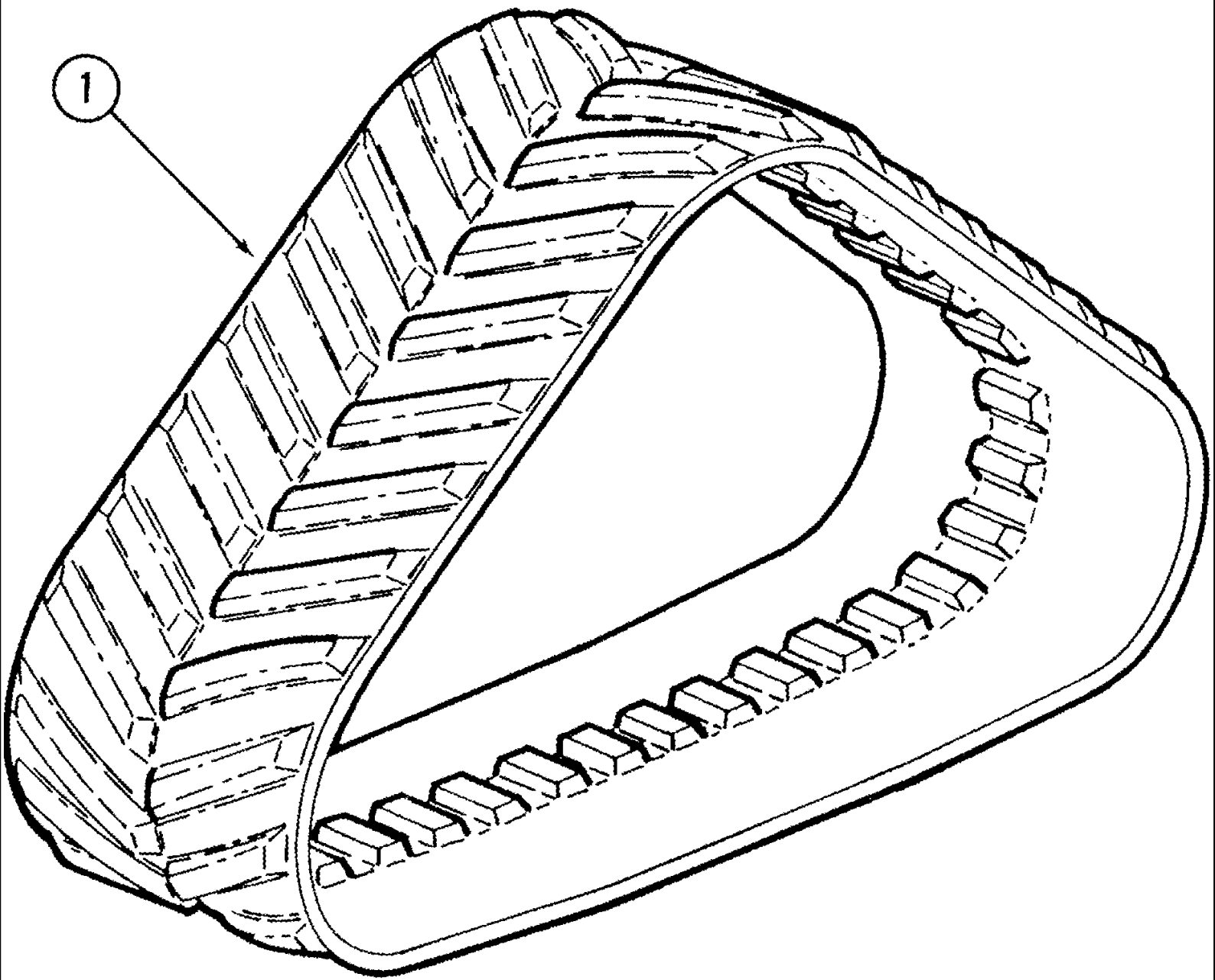
сылка	Номер детали	Кол-во	Описание
1	396113A1	12	RIM, W16A x 46, For Tires: 850/55-42, 900/50R42
1	193857A1	12	WHEEL, W18A x 42, For Tires: 520/85R42, 20.8R42
2	409987A1	1	SPACER, 711 mm (28")
3	496-31094	10	WASHER, 15/16" x 1 3/4" x .219", HDN,
4	827-22140	10	BOLT, Hex, M22 x 140, 10.9,
5	A20058	AR	VALVE STEM,
6	827-22080	40	BOLT, Hex, M22 x 80, 10.9, Full Thd,

06-08 HUB ASSEMBLY MOUNTING



06-08 HUB ASSEMBLY MOUNTING

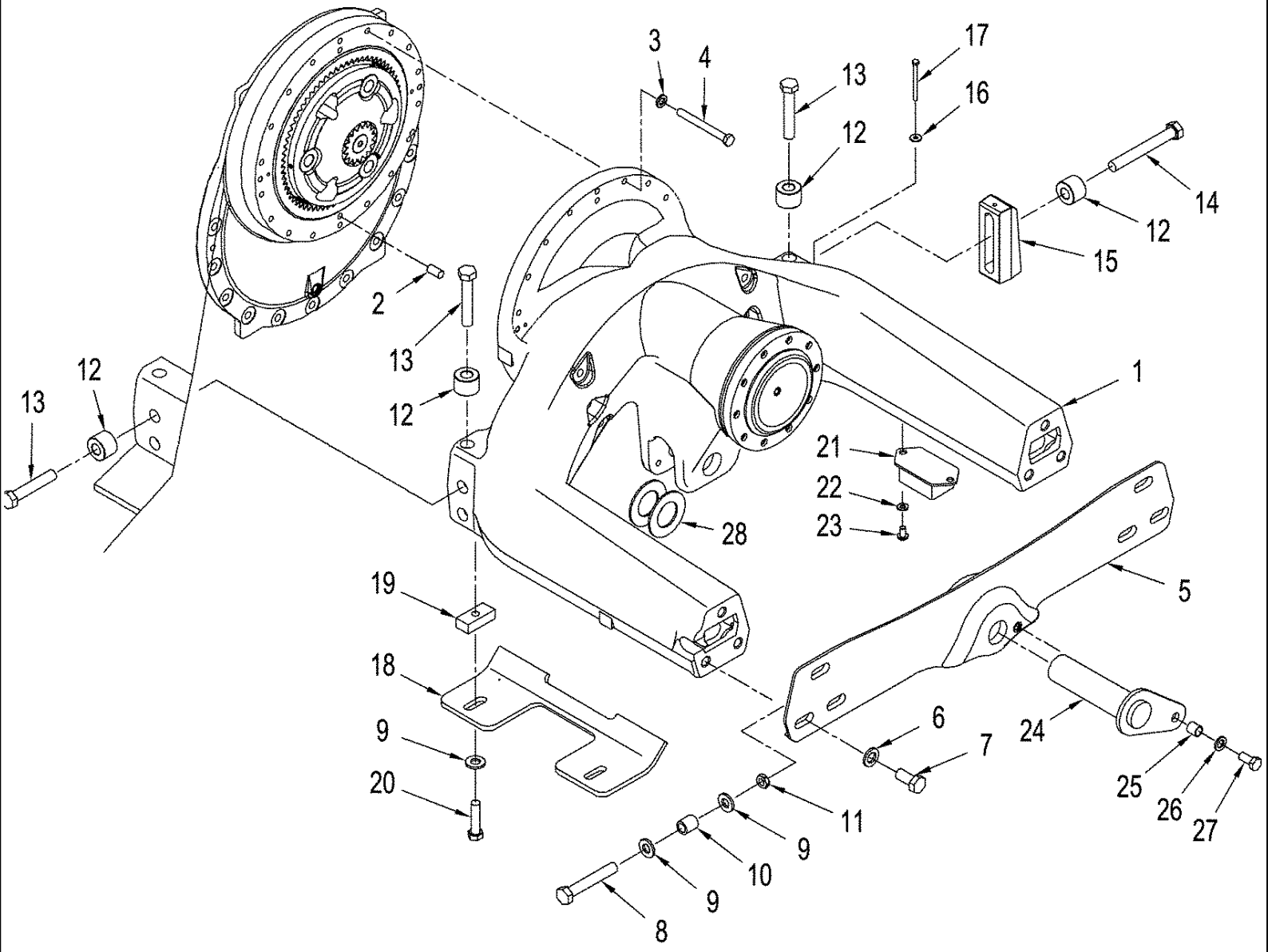
сылка	Номер детали	Кол-во	Описание
1	405812A1	1	HUB,
2	405816A1	AR	BUSHING, 115 mm (4-1/2")
3	396-31081	6	WASHER, 13/16" x 1 1/2" x .219", HDN,
4	228273A1	6	BOLT, M20 x 110; 10,9
5	303401A1	3	PLUG,
6	38-11608	4	PIN, LOCK, 1/4" x 1/2", Slotted,
7	A63219	4	KEY, 3/4" x 6"
8	896-11022	40	WASHER, M22 x 44 x 4, HT,
9	827-22080	40	BOLT, Hex, M22 x 80, 10.9, Full Thd,



STX530 CASE IH 4WD TRACTOR (BTW Z6F100023 - Z6F105001)

06-09 TRACKS, QUADTRAC TRACTOR

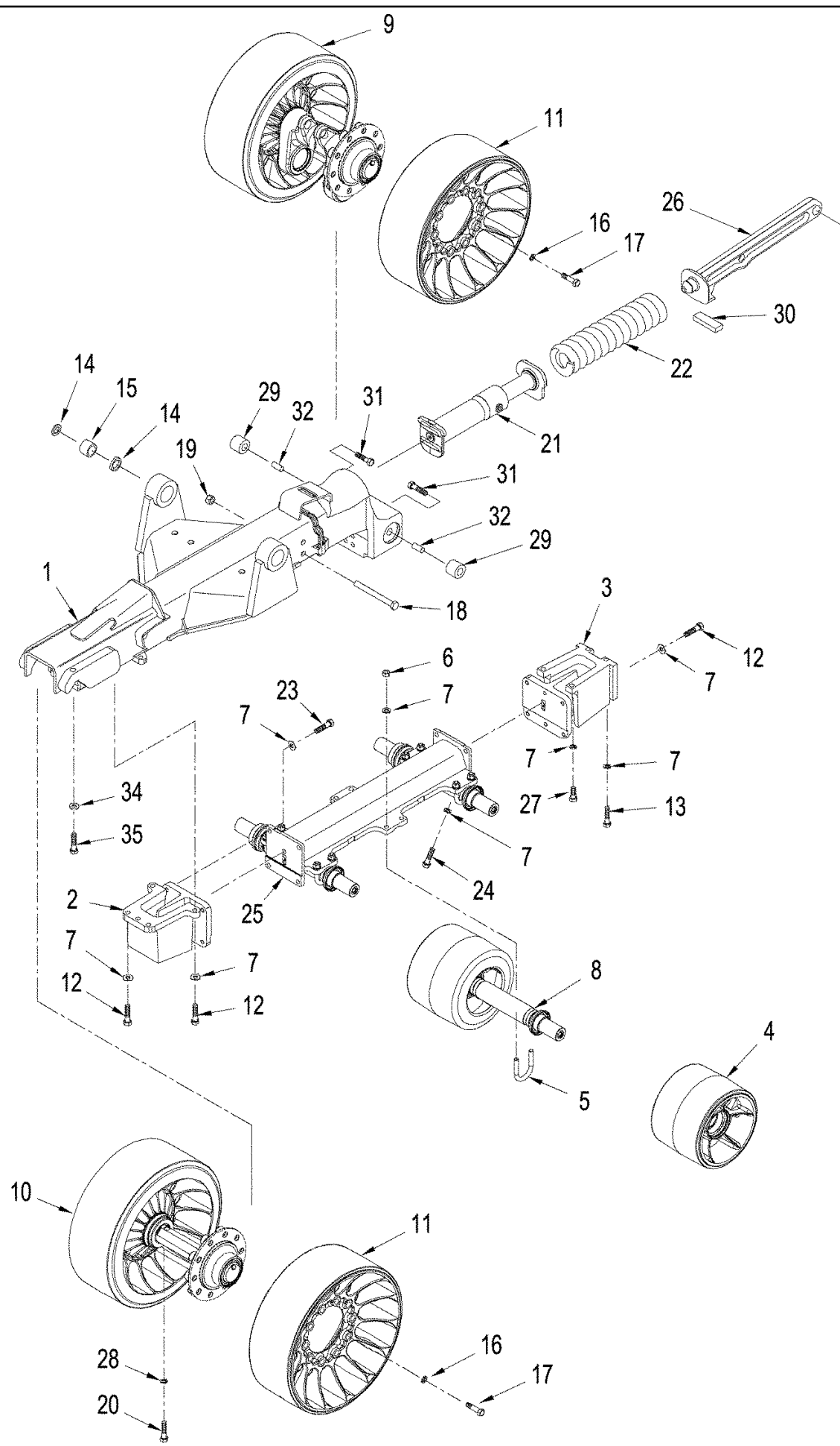
сылка	Номер детали	Кол-во	Описание
1	87734601	4	RUBBER TRACK, 762 mm (30"), Scraper Application
1	437739A1	4	RUBBER TRACK, 762 mm (30"), Arctic QUADTRAC Tractor Application
1	87403790	4	RUBBER TRACK, 762 mm (30")
1	87734600	4	RUBBER TRACK, 914 mm (36")
1	87395014	4	RUBBER TRACK, 762 mm (30"), Europe Option



STX530 CASE IH 4WD TRACTOR (BTW Z6F100023 - Z6F105001)

06-10 YOKE MOUNTING, QUADTRAC TRACTOR

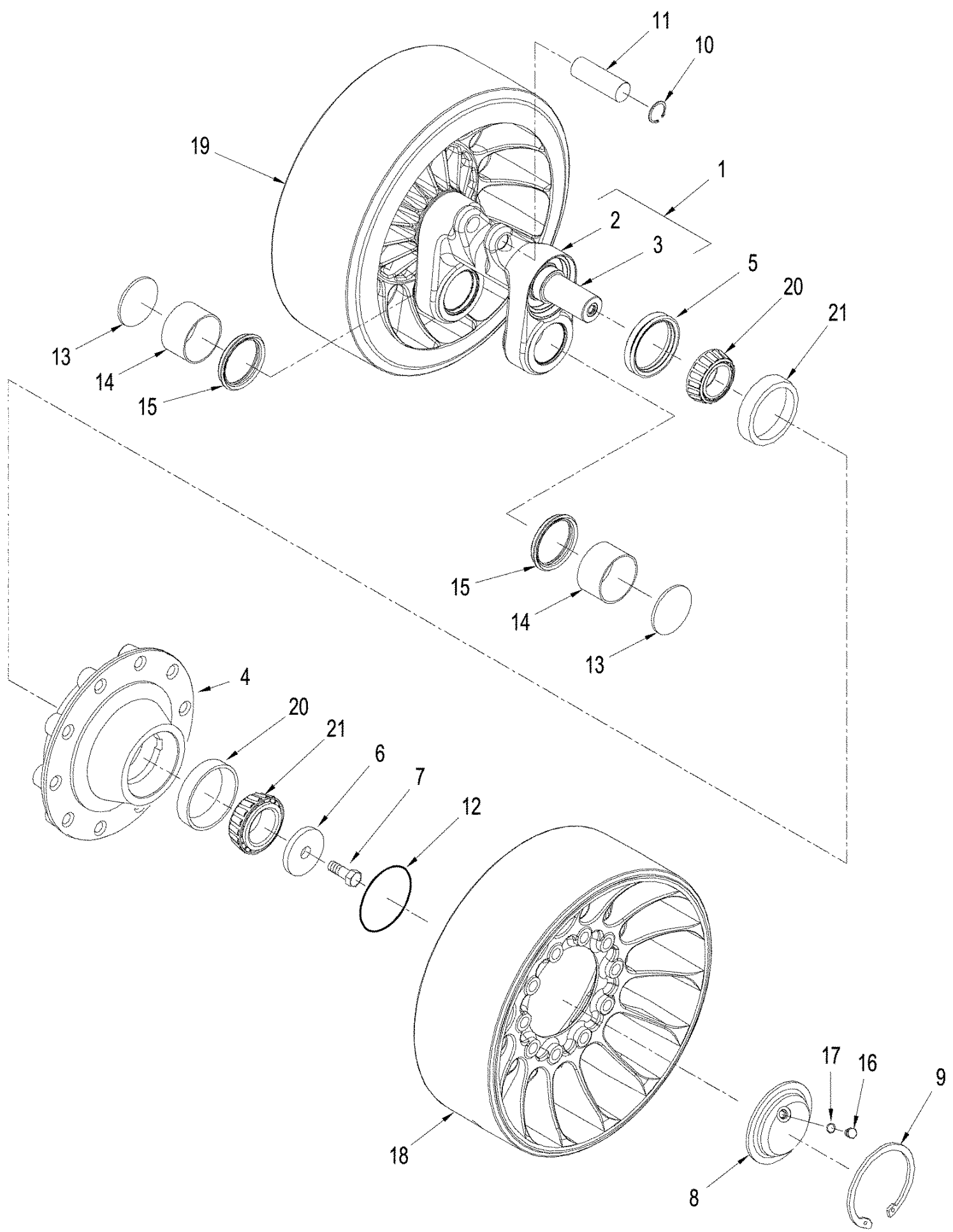
сылка	Номер детали	Кол-во	Описание
1	87423303	1	YOKE, Inc. 2, See Figure 06-79
2	837-16040	2	DOWEL, M16 x 40,
3	896-12016	24	WASHER, M17.5 x 30 x 4, HT,
4	828-16150	24	BOLT, Hex, M16 x 150, 10.9,
5	87451761	2	PLATE, END, Yoke
6	896-11024	6	WASHER, M24 x 44.5 x 5, HT,
7	9780129	6	BOLT, Hex, M24 x 50, 10.9, Full Thd,
8	87439071	1	BOLT, M20 x 130, CL10.9
9	896-15020	4	WASHER, M20 x 44.5 x 5, HT,
10	87439070	1	SPACER,
11	829-4420	1	NUT, Thin, M20 x 2.5, Cl 05,
12	87447339	6	SPACER,
13	827-24130	4	BOLT, Hex, M24 x 130, 10.9,
14	827-24190	2	BOLT, Hex, M24 x 190, 10.9,
15	87425780	1	WEDGE, Block
16	496-41034	1	WASHER, .344" x 1" x .098", HDN,
17	627-8100	1	BOLT, Hex, M8 x 100, 10.9, Full Thd,
18	87439068	1	PLATE, Scraper, Used on QUADTRAC Scraper Application
19	87439069	2	BAR, Retention
20	827-20080	2	BOLT, Hex, M20 x 80, 10.9,
21	87428948	2	BUMPER, Rubber
22	896-11012	4	WASHER, M13.5 x 24.5 x 3, HT,
23	86836488	4	SCREW, Hex Soc But Hd, M12 x 1.75 x 25, 12.9,
24	87423822	2	PIN,
25	87423819	2	SPACER,
26	896-11016	2	WASHER, M17.5 x 30 x 4, HT,
27	627-16035	2	BOLT, Hex, M16 x 35, 10.9,
28	87423202	2	BEARING, Thrust



STX530 CASE IH 4WD TRACTOR (BTW Z6F100023 - Z6F105001)

06-11 UNDERCARRIAGE - MOUNTING, QUADTRAC TRACTOR

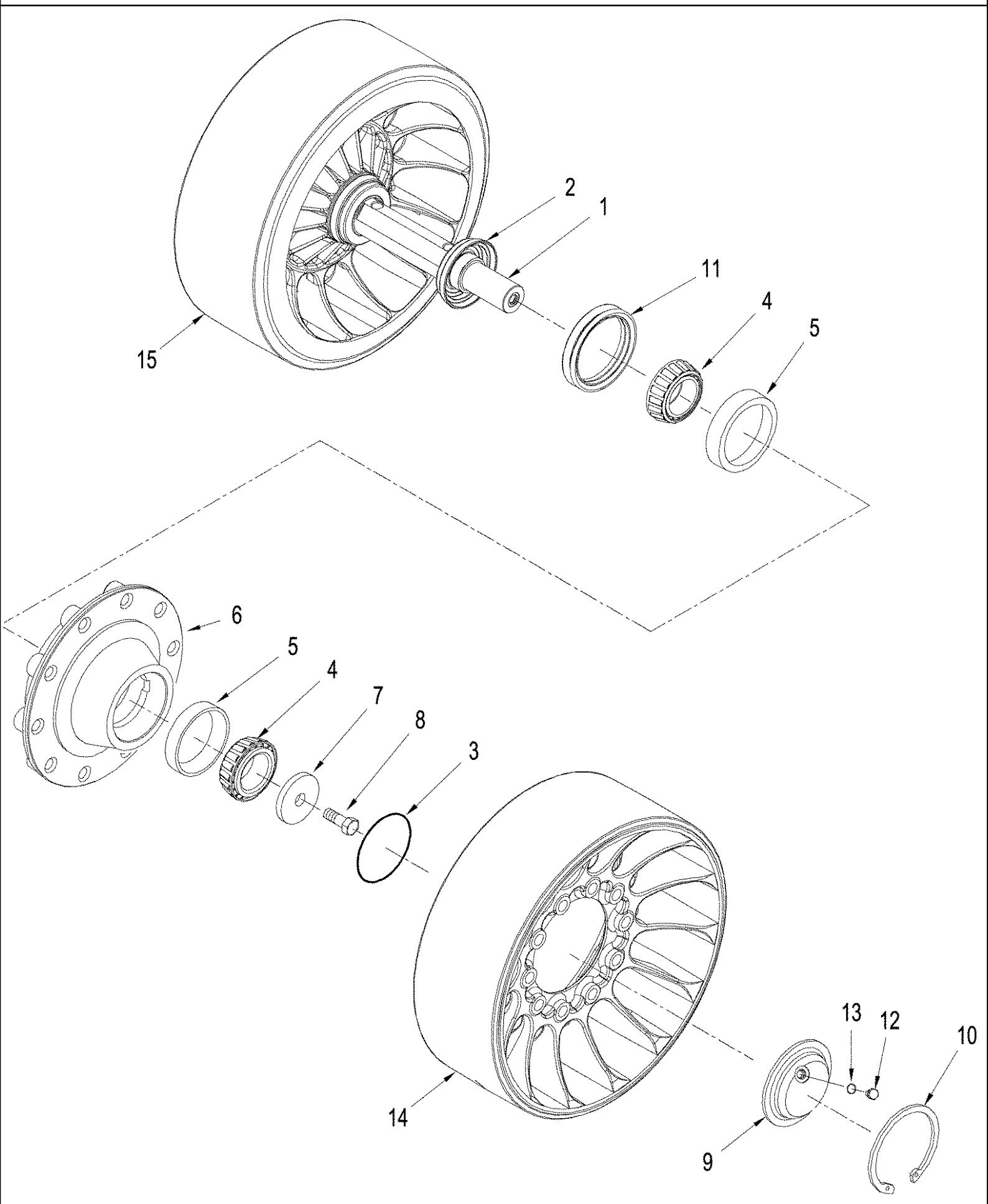
сылка	Номер детали	Кол-во	Описание
1	87378014	1	MOUNTING PARTS, Undercarriage
2	389761A1	1	SUSPENSION, Rear, Rubber Mount
3	389763A1	1	SUSPENSION, Front, Rubber Mount
4	87438307	6	WHEEL ASSY, Roller
5	231765A1	6	U-BOLT,
6	832-46416	12	NUT, LOCK, M16 x 2, Cl 8,
7	896-11016	22	WASHER, M17.5 x 30 x 4, HT,
8	REF	1	INSTRUCTION, Roller Assy., Wheel, See Figure 06-14
9	REF	1	INSTRUCTION, Axle Assy., Front Idler, See Figure 06-12
10	REF	1	INSTRUCTION, Axle Assy., Rear Idler, See Figure 06-13
11	87441100	1	WHEEL ASSY, Idler, Bolt-on
12	627-16050	9	BOLT, Hex, M16 x 50, 10.9,
13	827-16180	2	BOLT, Hex, M16 x 180, 10.9,
14	87423203	4	SEAL,
15	87423204	2	BEARING ASSY,
16	896-11024	22	WASHER, M24 x 44.5 x 5, HT,
17	827-24080	20	BOLT, Hex, M24 x 80, 10.9, Full Thd,
18	827-20200	1	BOLT, Hex, M20 x 200, 10.9,
19	832-46420	1	NUT, LOCK, M20 x 2.5, Cl 8,
20	827-22140	2	BOLT, Hex, M22 x 140, 10.9,
21	87304299	1	HYDRAULIC CYLINDER, Track Tensioning
22	255729A1	1	SPRING, Track Tensioning
23	627-16040	8	BOLT, Hex, M16 x 40, 10.9,
24	827-16140	2	BOLT, Hex, M16 x 140, 10.9,
25	408786A1	1	BEAM, Roller Wheel
26	435507A1	1	LINKAGE, Track Tensioning
27	827-16110	2	BOLT, Hex, M16 x 110, 10.9,
28	896-11022	2	WASHER, M22 x 44 x 4, HT,
29	87324220	2	SHAFT, IDLE, Pivot
30	430710A1	1	PAD,
31	827-24100	2	BOLT, Hex, M24 x 100, 10.9,
32	87585083	2	TUBE SPACER,



STX530 CASE IH 4WD TRACTOR (BTW Z6F100023 - Z6F105001)

06-12 AXLE ASSEMBLY - FRONT IDLER, QUADTRAC TRACTOR

сылка	Номер детали	Кол-во	Описание
1	87451060	1	PIVOT, Shaft Assy., Inc. 2 & 3
1	87345926	1	Shaft Assy., Inc. 2 & 3, Arctic QUADTRAC Tractor Application
2	NSS	1	NOT SERVICED SEPARATELY, Pivot
3	NSS	3	NOT SERVICED SEPARATELY, Shaft
4	87416606	1	HUB,
5	87437010	2	SEAL, Face
6	87387720	2	RETAINER,
7	87449801	2	BOLT, M20 x 40, 10.9
8	87408174	2	CAP, , Also Order 246406A1 Plug
9	800-21130	2	RING, SNAP, M130, Int,
10	87038806	2	RING, SNAP, M38, Int,
11	329647A1	1	PIN,
12	238-5426	2	O-RING, -426, 70 Duro, 4.600" ID x .275" Thk,
13	87416602	2	COVER, Cap
14	87324810	2	BEARING,
15	87451047	2	SEAL,
16	246406A1	2	PLUG, M12 x 1.5, ORB, Inc. 17
17	637-63093	2	O-RING, CI 6, 9.3MM ID x 2.2 Thk,
18	87441100	1	WHEEL ASSY, Bolt-on
19	NSS	1	NOT SERVICED SEPARATELY, Wheel Assy., Service with p/n 87416606 Hub and 87441100 Bolt-on Wheel Assy.
20	371884A1	4	CONE,
21	371878A1	4	CUP,

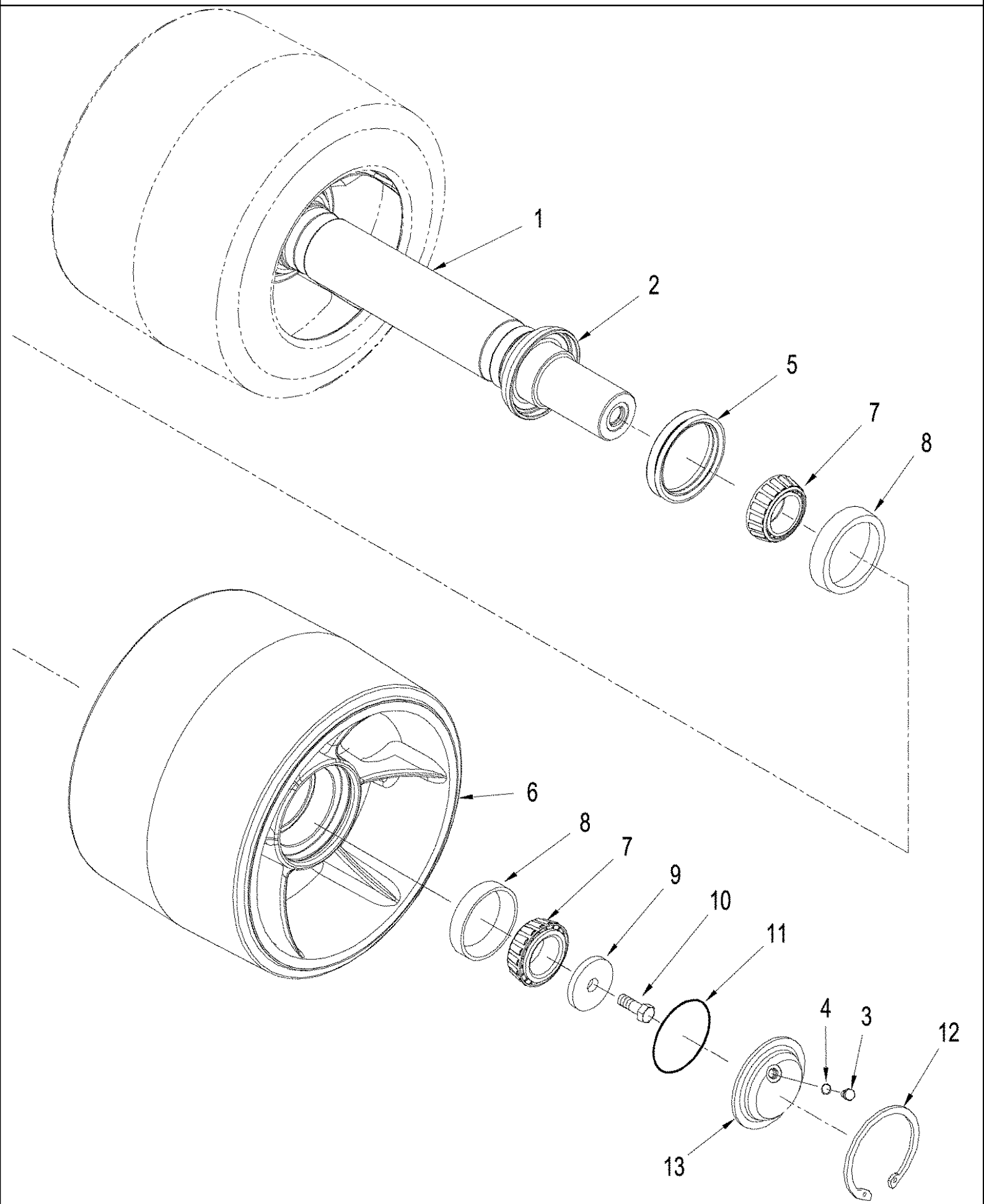


STX530 CASE IH 4WD TRACTOR (BTW Z6F100023 - Z6F105001)

06-13 AXLE ASSEMBLY - REAR IDLER, QUADTRAC TRACTOR

сылка	Номер детали	Кол-во	Описание
1	87451058	1	SHAFT, Assy., Rear Idler
2	87304016	2	CUP,
3	238-5426	2	O-RING, -426, 70 Duro, 4.600" ID x .275" Thk,
4	371884A1	4	CONE,
5	371878A1	4	CUP,
6	87416606	1	HUB,
7	87387720	2	RETAINER,
8	87449801	2	BOLT, M20 x 40, 10.9
9	87408174	2	CAP, , Also Order 246406A1 Plug
10	800-21130	2	RING, SNAP, M130, Int, M130
11	87437010	2	SEAL, Face
12	246406A1	2	PLUG, M12 x 1.5, ORB, Inc. 13
13	637-63093	2	O-RING, CI 6, 9.3MM ID x 2.2 Thk,
14	87441100	1	WHEEL ASSY, Rear Idler, Bolt-on
15	NSS	1	NOT SERVICED SEPARATELY, Wheel Assy., Rear Idler, Inboard, Service with p/n 87416606 Hub and 87441100 Bolt-on Wheel Assy.

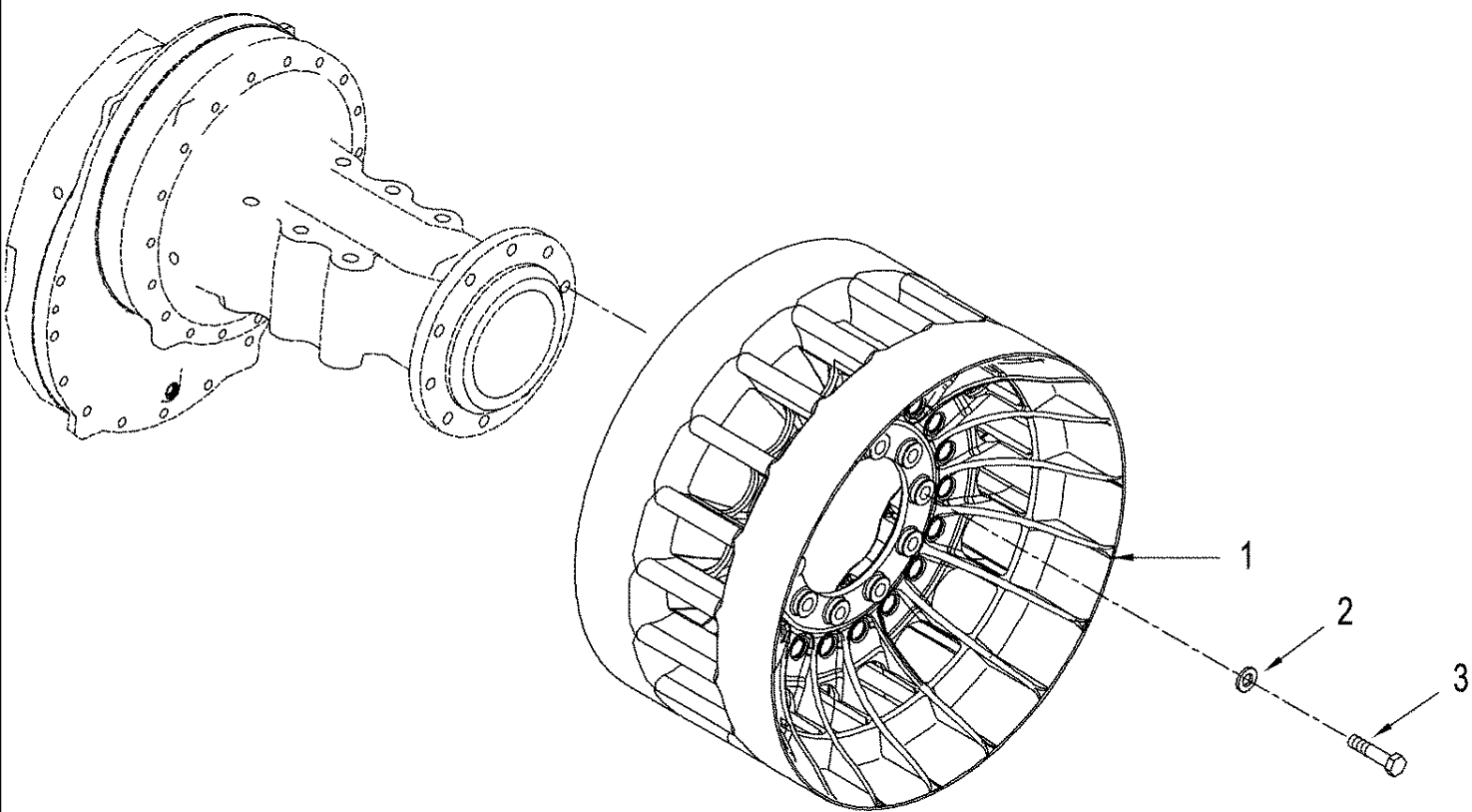
06-14 AXLE ASSEMBLY - ROLLER SHAFT



STX530 CASE IH 4WD TRACTOR (BTW Z6F100023 - Z6F105001)

06-14 AXLE ASSEMBLY - ROLLER SHAFT

сылка	Номер детали	Кол-во	Описание
1	87431253	3	SHAFT, ROLLER, Assy.
1	87427034	3	SHAFT, ROLLER, Assy., Arctic QUADTRAC Tractor Application
2	87304018	2	CUP, Roller
3	246406A1	6	PLUG, M12 x 1.5, ORB, Inc. 4
4	637-63093	1	O-RING, CI 6, 9.3MM ID x 2.2 Thk,
5	87437009	6	SEAL, Roller Face
5	87427008	6	SEAL, Multiple Lip, Arctic QUADTRAC Tractor Application
6	87438307	2	WHEEL ASSY, Roller
7	A61447	12	BEARING, CONE, 2-1/16" ID
8	625743C1	12	BEARING, CUP, Cup, 3-35/64" OD
9	87387720	6	RETAINER, Hardened
10	87449801	6	BOLT, M20 x 40, CL10.9
11	86984140	6	SEAL, O-Ring
12	800-21110	6	RING, SNAP, M110, Int, Retaining
13	87404689	6	CAP, Wheel, Also Order 246406A1 Plug

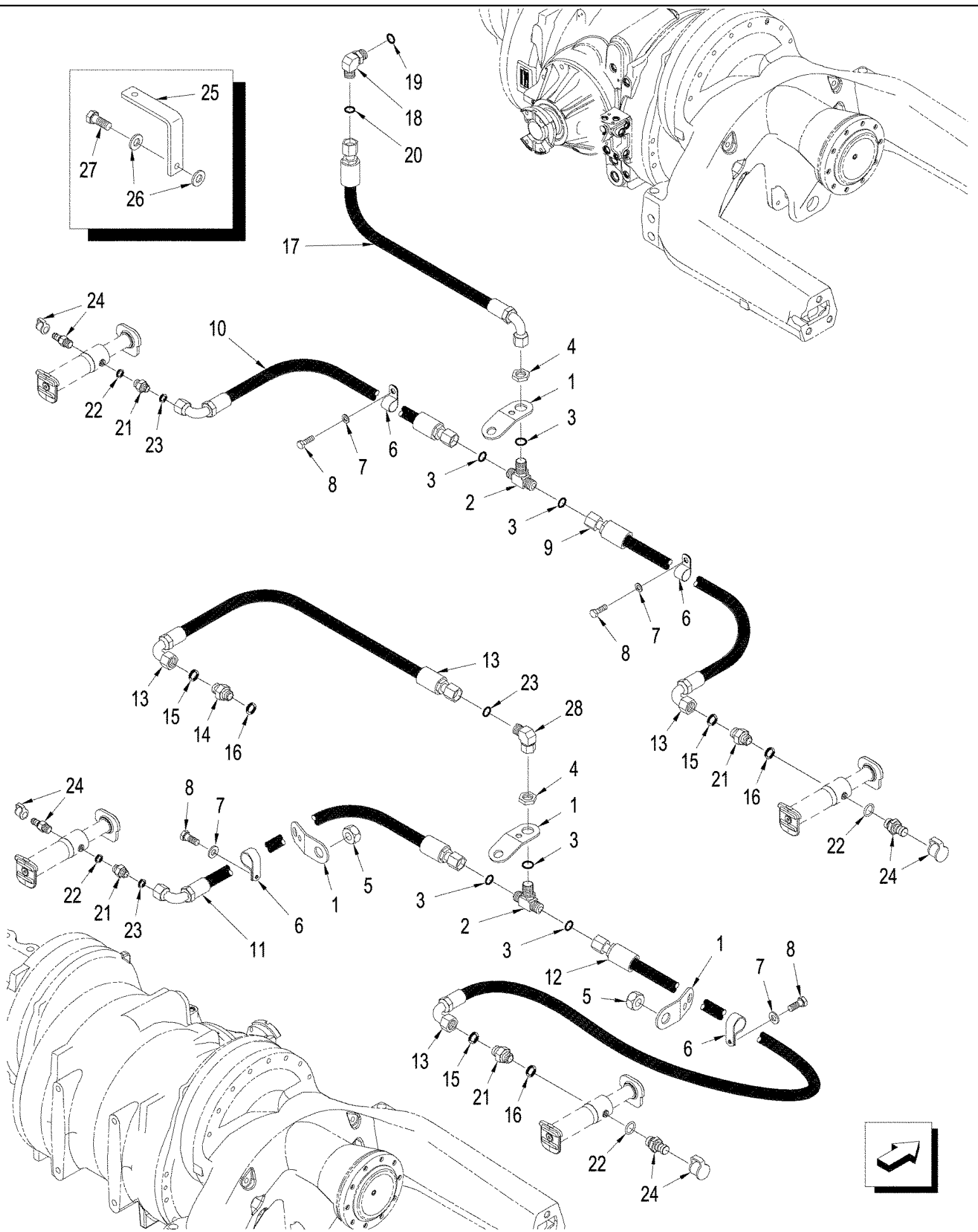


STX530 CASE IH 4WD TRACTOR (BTW Z6F100023 - Z6F105001)

06-15 DRIVE WHEEL, QUADTRAC TRACTOR

сылка	Номер детали	Кол-во	Описание
1	413830A1	4	WHEEL, Cast
2	896-11024	40	WASHER, M24 x 44.5 x 5, HT,
3	627-24070	40	BOLT, Hex, M24 x 70, 10.9, Full Thd,

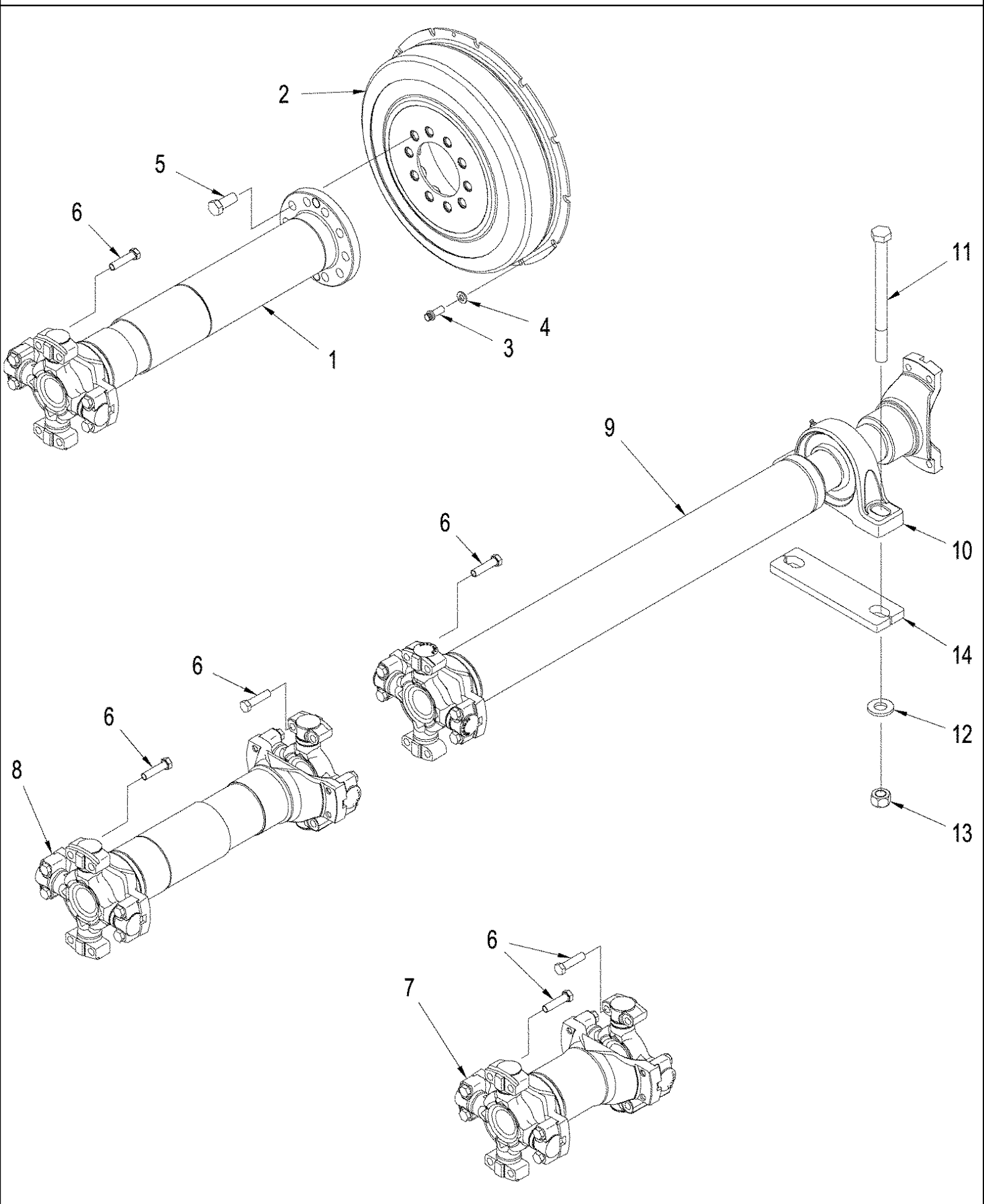
06-16 TRACK TENSIONING, QUADTRAC TRACTOR



06-16 TRACK TENSIONING, QUADTRAC TRACTOR

сылка	Номер детали	Кол-во	Описание
1	87306552	8	BRACKET, Mounting, Track Tension Hose
2	87306678	2	TEE, 11/16"-16 ORFS, Blkhd Br, Inc. 3
3	238-6012	3	O-RING, -012, 90 Duro, .364" ID x .070" Thk,
4	701-909	2	NUT, LOCK, 11/16"-16, Blkhd,
5	829-1408	6	NUT, M8, CI 10,
6	515-23127	16	CLAMP, 1/2", Insul, 3/8" Bolt,
8	627-8020	16	BOLT, Hex, M8 x 20, 10.9,
7	895-11008	18	WASHER, M8 x 16 x 1.6,
9	87306548	1	HOSE ASSY., 1836 mm (72-9/32"), Track Tensioning
9	444422A1S	1	HOSE ASSY., 1816 mm (71-1/2"), Track Tensioning, Arctic QUADTRAC Tractor Application
10	87306549	2	HOSE ASSY., 1956mm (77"), Track Tensioning
10	444421A1S	2	HOSE ASSY., 1943 mm (76-1/2"), Track Tensioning, Arctic QUADTRAC Tractor Application
11	87306550	1	HOSE ASSY., 2015mm (79-5/16"), Track Tensioning
11	444421A1S	1	HOSE ASSY., 1943 mm (76-1/2"), Track Tensioning, Arctic QUADTRAC Tractor Application
12	87306549	1	HOSE ASSY., 1956mm (77"), Track Tensioning
12	444422A1S	1	HOSE ASSY., 1816 mm (71-1/2"), Track Tensioning, Arctic QUADTRAC Tractor Application
13	87306651	1	HOSE ASSY., 850 mm (33-15/32"), Track Tensioning
13	437276A1S	1	HOSE ASSY., 1700 mm (67"), Track Tensioning, Arctic QUADTRAC Tractor Application
14	700-153	1	CONNECTOR, HYD., 9/16"-18 ORFS x M14 x 1.5 ORB, Inc. 15, 16
15	637-63113	1	O-RING, CI 6, 11.3MM ID x 2.2 Thk,
16	238-6011	1	O-RING, -011, 90 Duro, .301" ID x .070" Thk,
17	87329138	1	HOSE, 883 mm (34-3/4"), Track Tensioning
17	437275A1S	1	HOSE ASSY., 900 mm (35-7/16"), Arctic QUADTRAC Tractor Application
18	700-378	1	ELBOW, 90e, 9/16"-18 ORFS x M14 x 1.5 ORB, Inc. 19, 20
19	637-63113	1	O-RING, CI 6, 11.3MM ID x 2.2 Thk,
20	238-6011	1	O-RING, -011, 90 Duro, .301" ID x .070" Thk,
21	314270A1	4	VALVE, CHECK, M10 fc sl x 18 orb, Inc. 22, 23
22	637-63153	4	O-RING, CI 6, 15.3MM ID x 2.2 Thk,
23	238-6012	4	O-RING, -012, 90 Duro, .364" ID x .070" Thk,
24	325647A2	4	COUPLING, M18, Diagnostic
25	87450401	4	BRACKET, SUPPORTING, Track Tension Hose
26	896-11016	8	WASHER, M17.5 x 30 x 4, HT,
27	627-16040	4	BOLT, Hex, M16 x 40, 10.9,
28	701-319	1	ELBOW, 90e, 11/16"-16 ORFS x 11/16"-16 Fem Sw, Incl. 23

06-17 DRIVE SHAFT - MOUNTING

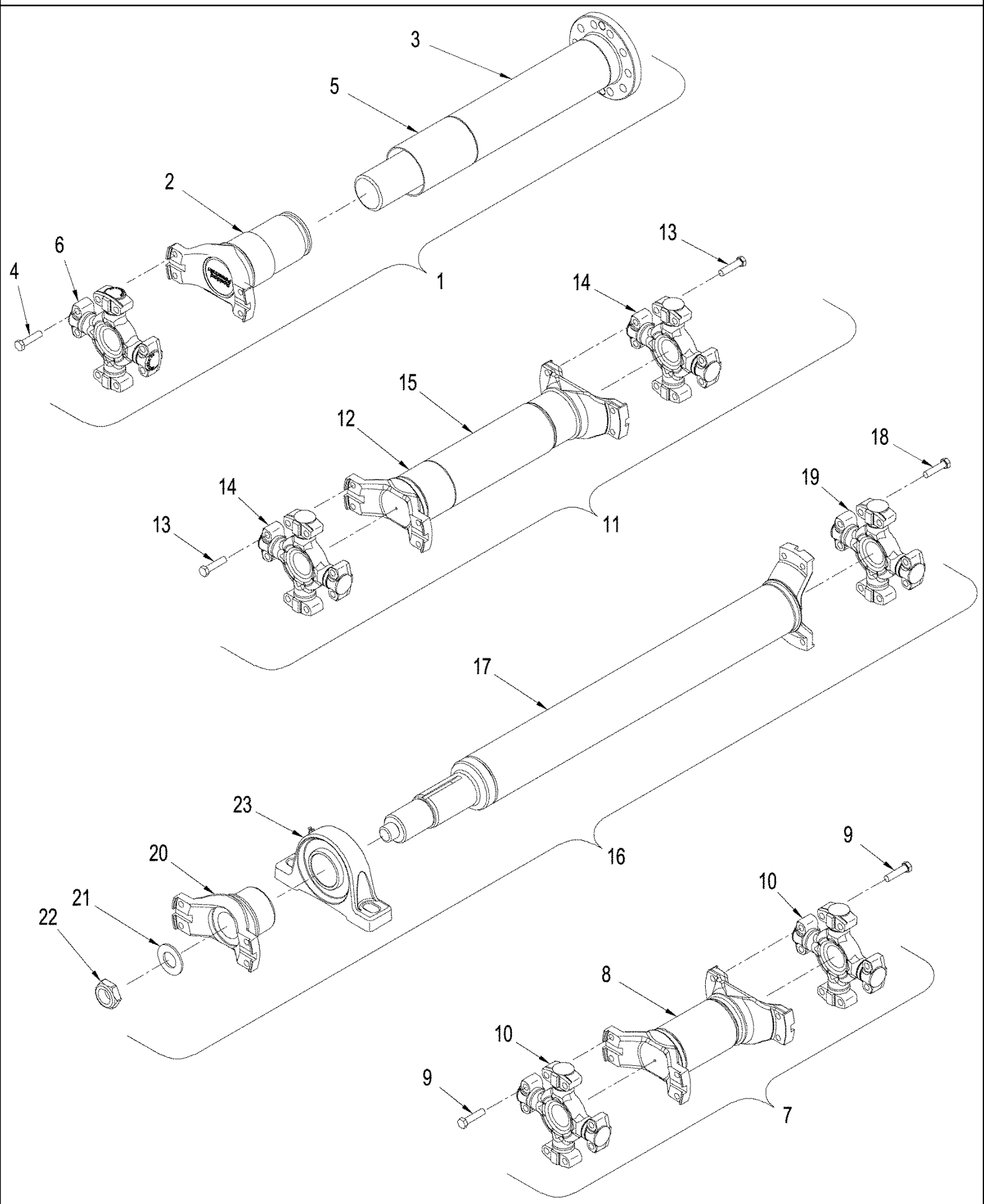


STX530 CASE IH 4WD TRACTOR (BTW Z6F100023 - Z6F105001)

06-17 DRIVE SHAFT - MOUNTING

сылка	Номер детали	Кол-во	Описание
1	87440506	1	SHAFT, DRIVE, Input, 8C, See Figure 06-18, With 450 Series Axles, With Manual Shift Transmission
1	87440505	1	SHAFT, DRIVE, Input, 8C, See Figure 06-18, With Power Shift Transmission, With 450 Series Axles
1	87440503	1	SHAFT, DRIVE, Input, 8.5C, See Figure 06-18, With 500 Series Axles, With Power Shift Transmission
2	378758A2	1	DAMPER, Vibration, Also Order 80-1716
3	80-1716	12	SCREW, 12 Pt Flg, Hd, 7/16"-14 x 1, Gr 8
4	496-81010	12	WASHER,
5	426-1024	10	BOLT, Hex, 5/8"-11 x 1 1/2", G8, Full Thd,
6	827-12050	24	BOLT, Hex, M12 x 50, 10.9, , With 450 Series Axles
6	827-12060	24	BOLT, Hex, M12 x 60, 10.9, , With 500 Series Axles
7	402186A1	1	SHAFT, DRIVE, Front Axle, 8C, See Figure 06-18, With 450 Series Axles
7	402191A1	1	SHAFT, DRIVE, Front Axle, 8,5C, See Figure 06-18, With 500 Series Axles
8	402187A1	1	SHAFT, DRIVE, Articulation, 8C, See Figure 06-18, With 450 Series Axles
8	402192A1	1	SHAFT, DRIVE, Articulation, 8,5C, See Figure 06-18, With 500 Series Axles
9	402188A1	1	SHAFT, DRIVE, Rear Axle, 8C, See Figure 06-18, With 450 Series Axles
9	402193A1	1	SHAFT, DRIVE, Rear Axle, 8,5C, See Figure 06-18, With 500 Series Axles
10	451767A1	1	BEARING, Pillow Block, See Figure 06-18
11	827-20250	2	BOLT, Hex, M20 x 250, 10.9,
12	896-15020	2	WASHER, M20 x 44.5 x 5, HT,
13	829-1420	2	NUT, M20, CI 10,
14	406056A1	1	SPACER,

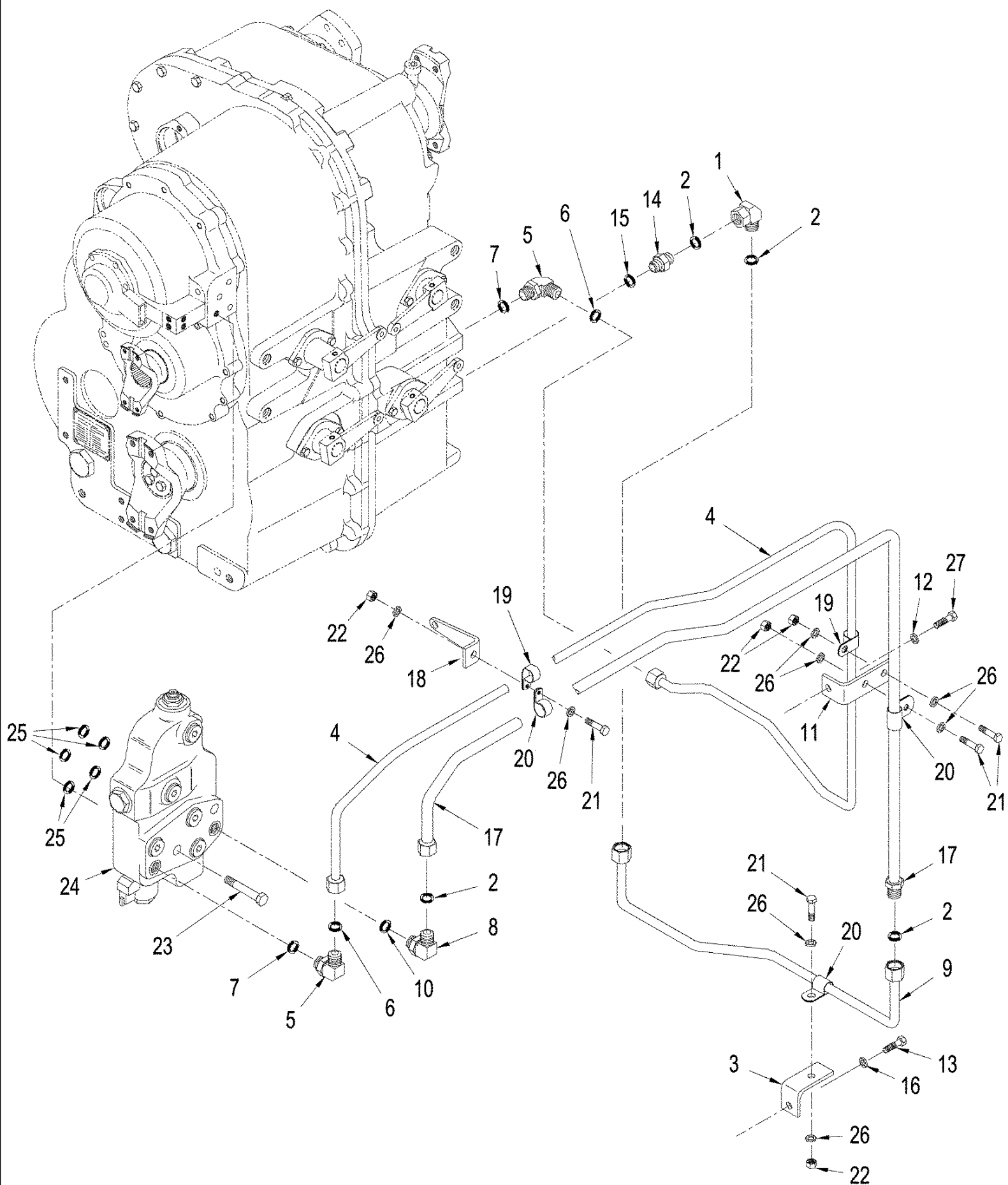
06-18 DRIVE SHAFT



STX530 CASE IH 4WD TRACTOR (BTW Z6F100023 - Z6F105001)

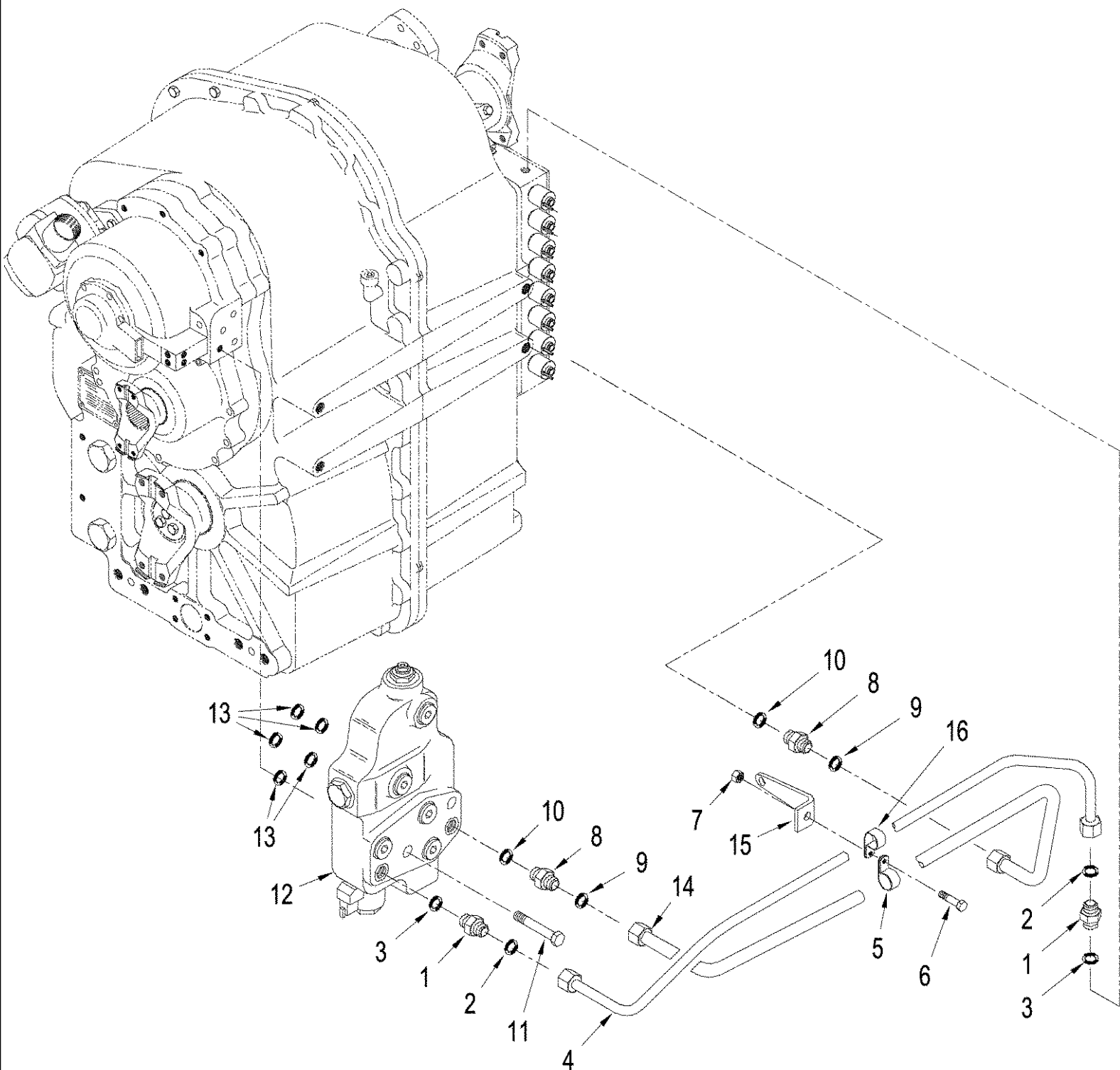
06-18 DRIVE SHAFT

сылка	Номер детали	Кол-во	Описание
1	87440506	1	SHAFT, DRIVE, Input, 8C, Inc. 1 - 6, With Advanced Farming Systems (AFS), With 450 Series Axles
1	87440505	1	SHAFT, DRIVE, Input, 8,5C, Inc. 1- 6, With 450 Series Axles, With Power Shift Transmission
1	87440503	1	SHAFT, DRIVE, Input, 8,5C, Inc. 1 - 6, With 500 Series Axles, With Power Shift Transmission
2	NSS	1	NOT SERVICED SEPARATELY, Shaft, Slip Yoke
3	NSS	1	NOT SERVICED SEPARATELY, Shaft, Flanged
4	827-12050	4	BOLT, Hex, M12 x 50, 10.9, , With 450 Series Axles
4	827-12060	4	BOLT, Hex, M12 x 60, 10.9, , With 500 Series Axles
5	404151A1	1	SEAL,
6	86000308	1	KIT, Spider Assy., 8C, With 450 Series Axles
6	309093A1	1	SPIDER ASSY., 8,5C, With 500 Series Axles
7	402186A1	1	SHAFT, DRIVE, Front Axle, 8C, Inc. 7 - 10, With 450 Series Axles
7	402191A1	1	SHAFT, DRIVE, Front Axle, 8,5 C, Inc. 7 - 10, With 500 Series Axles
8	NSS	1	NOT SERVICED SEPARATELY, Shaft
9	827-12050	8	BOLT, Hex, M12 x 50, 10.9, , With 450 Series Axles
9	827-12060	8	BOLT, Hex, M12 x 60, 10.9, , With 500 Series Axles
10	431621A1	2	KIT, 8C, With 450 Series Axles
10	309093A1	2	SPIDER ASSY., 8,5C, With 500 Series Axles
11	402187A1	1	SHAFT, DRIVE, Articulation, 8C, Inc. 11 - 15, With 450 Series Axles
11	402192A1	1	SHAFT, DRIVE, Articulation, 8,5C, Inc. 11 - 15, With 500 Series Axles
12	NSS	1	NOT SERVICED SEPARATELY, Shaft
13	827-12050	8	BOLT, Hex, M12 x 50, 10.9, , With 450 Series Axles
13	827-12060	8	BOLT, Hex, M12 x 60, 10.9, , With 500 Series Axles
14	431621A1	2	KIT, 8C, With 450 Series Axles
14	309093A1	2	SPIDER ASSY., 8,5C, With 500 Series Axles
15	404151A1	1	SEAL,
16	402188A1	1	SHAFT, DRIVE, Rear Axle, 8C, Inc. 17 - 22, With 450 Series Axles
16	402193A1	1	SHAFT, DRIVE, Rear Axle, 8,5C, Inc. 17 - 22, With 500 Series Axles
17	NSS	1	NOT SERVICED SEPARATELY, Shaft
18	827-12050	4	BOLT, Hex, M12 x 50, 10.9, , With 450 Series Axles
18	827-12060	4	BOLT, Hex, M12 x 60, 10.9, , With 500 Series Axles
19	431621A1	2	KIT, 8C, With 450 Series Axles
19	309093A1	2	SPIDER ASSY., 8,5C, With 500 Series Axles
20	404451A1	1	YOKE, 8C, With 450 Series Axles
20	407633A1	1	YOKE, 8,5C, With 500 Series Axles
21	396-11131	1	WASHER, 1 5/16" x 2 1/2" x .150",
22	131-487	1	NUT, LOCK, 1 1/4"-18,
23	451767A1	1	BEARING, Pillow Block



06-19 POWER TAKEOFF - CLUTCH LUBRICATION, WITH MANUAL SHIFT TRANSMISSION

сылка	Номер детали	Кол-во	Описание
1	701-320	1	ELBOW, 90є, 13/16"-16 ORFS x 13/16"-16 Fem Sw, Inc. 2
2	238-6014	4	O-RING, -014, 90 Duro, .489" ID x .070" Thk,
3	435901A1	1	BRACKET,
4	435596A1	1	TUBE ASSY.,
5	700-304	2	ELBOW, 90є, 11/16"-18 ORFS x M14 x 1.5 ORB, Incl. 6, 7
6	238-6012	1	O-RING, -012, 90 Duro, .364" ID x .070" Thk,
7	637-63113	1	O-RING, CI 6, 11.3MM ID x 2.2 Thk,
8	700-305	1	ELBOW, 90є, 13/16"-18 ORFS x M18 x 1.5 ORB, Inc. 2, 10
9	435902A1	1	TUBE ASSY.,
10	637-63153	1	O-RING, CI 6, 15.3MM ID x 2.2 Thk,
11	401365A2	1	BRACKET,
12	896-11012	1	WASHER, M13.5 x 24.5 x 3, HT,
13	627-16035	2	BOLT, Hex, M16 x 35, 10.9,
14	700-102	1	CONNECTOR, HYD., 13/16"-16 ORFS x M18 x 1.5 ORB, Inc. 2, 15
15	637-64236	1	O-RING, CI 6, 23.6MM ID x 2.9 Thk,
16	895-11016	1	WASHER, M16 x 30 x 3,
17	435598A1	1	TUBE ASSY.,
18	401398A1	1	BRACKET,
19	515-2295	2	CLAMP, 3/8", Insul, 5/16" Bolt,
20	515-22127	3	CLAMP, 1/2", Insul, 5/16" Bolt,
21	627-8030	4	BOLT, Hex, M8 x 30, 10.9,
22	829-1408	4	NUT, M8, CI 10,
23	827-10070	2	BOLT, Hex, M10 x 70, 10.9,
24	413944A1	1	VALVE, Power Takeoff, See Figure: 06-21
25	238-5112	5	O-RING, -112, 70 Duro, .487" ID x .103" Thk,
27	627-12030	1	BOLT, Hex, M12 x 30, 10.9,
26	895-11008	8	WASHER, M8 x 16 x 1.6,

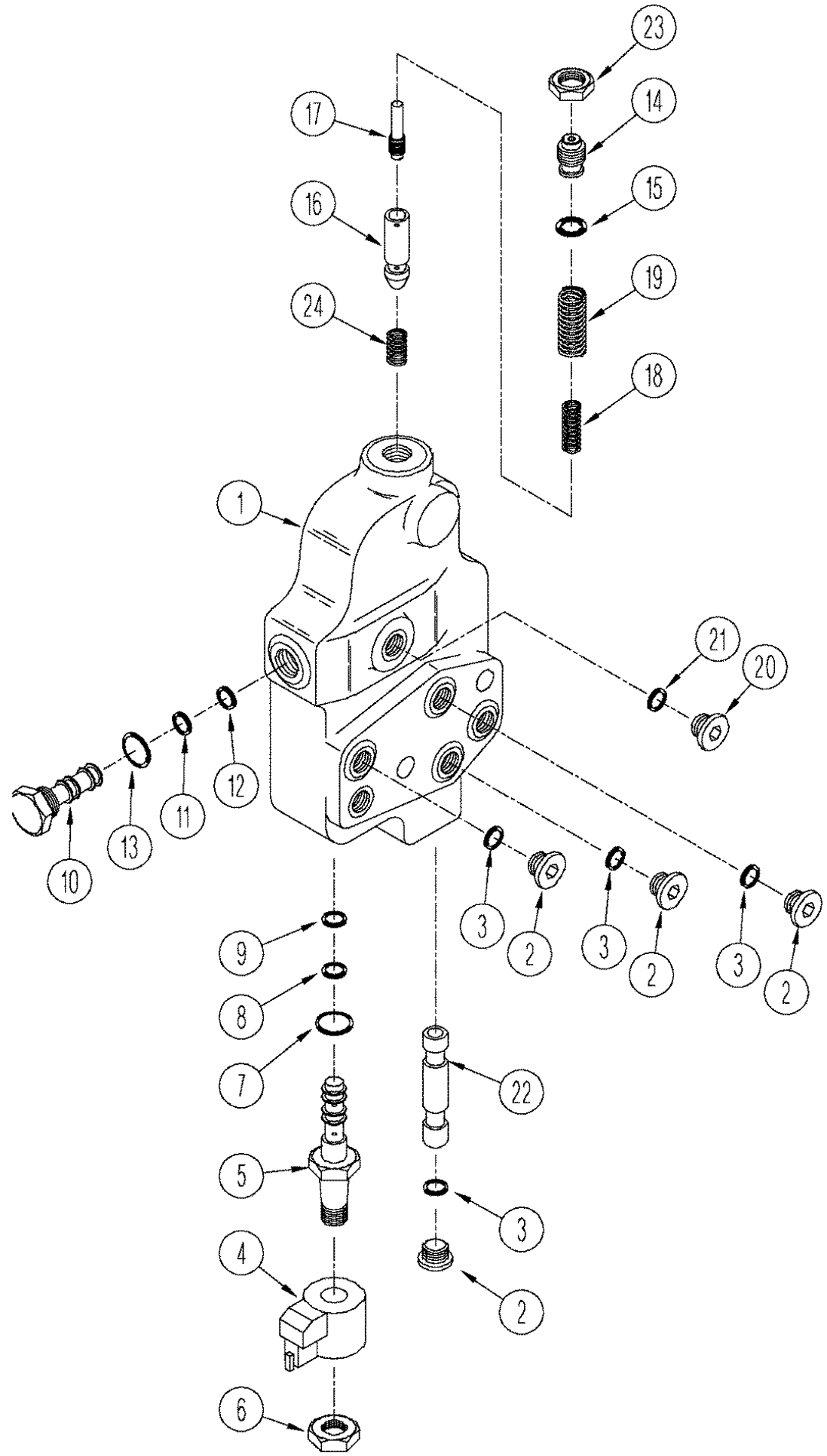


STX530 CASE IH 4WD TRACTOR (BTW Z6F100023 - Z6F105001)

06-20 POWER TAKEOFF - CLUTCH LUBRICATION, WITH POWER SHIFT TRANSMISSION

сылка	Номер детали	Кол-во	Описание
1	700-101	2	CONNECTOR, HYD., 11/16"-16 ORFS x M14 x 1.5 ORB, Incl. 2, 3
2	238-6012	1	O-RING, -012, 90 Duro, .364" ID x .070" Thk,
3	637-63113	1	O-RING, CI 6, 11.3MM ID x 2.2 Thk,
4	87436852	1	TUBE ASSY.,
5	515-22127	1	CLAMP, 1/2", Insul, 5/16" Bolt,
8	700-102	2	CONNECTOR, HYD., 13/16"-16 ORFS x M18 x 1.5 ORB, Inc. 9, 10
6	614-8020	1	BOLT, Hex, M8 x 20, 8.8,
9	238-6014	1	O-RING, -014, 90 Duro, .489" ID x .070" Thk,
7	829-1408	1	NUT, M8, CI 10,
10	637-63153	1	O-RING, CI 6, 15.3MM ID x 2.2 Thk,
11	828-10070	2	BOLT, Hex, M10 x 70, 10.9,
12	413944A1	1	VALVE, Power Takeoff, See Figure: 06-21
13	238-5112	5	O-RING, -112, 70 Duro, .487" ID x .103" Thk,
14	414550A1	1	TUBE ASSY.,
15	414553A1	1	BRACKET,
16	515-2295	1	CLAMP, 3/8", Insul, 5/16" Bolt,

06-21 VALVE ASSEMBLY - POWER TAKE OFF

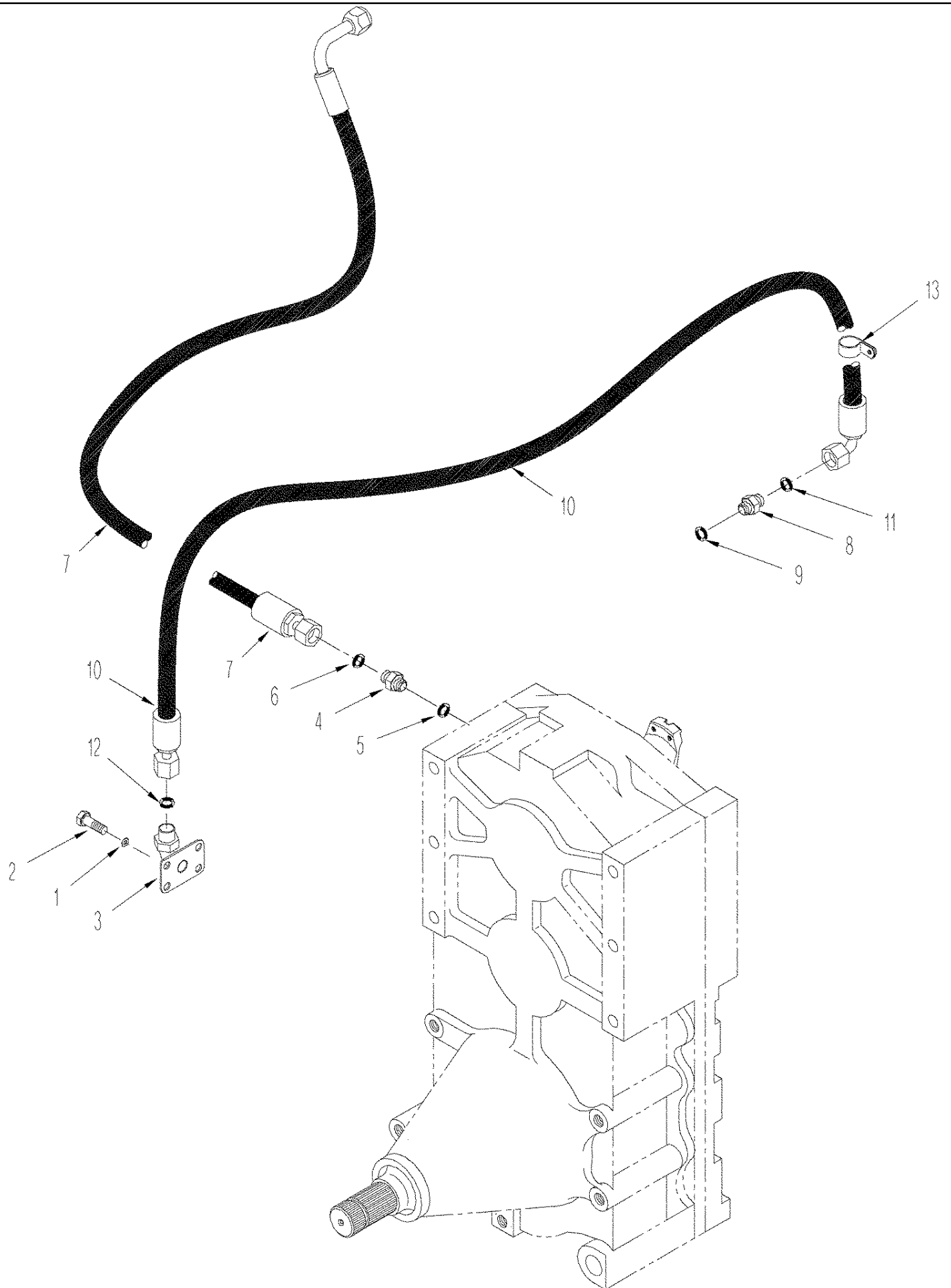


STX530 CASE IH 4WD TRACTOR (BTW Z6F100023 - Z6F105001)

06-21 VALVE ASSEMBLY - POWER TAKE OFF

сылка	Номер детали	Кол-во	Описание
	87697993	1	VALVE, Power Takeoff, Inc. 1 - 24
1	NSS	1	NOT SERVICED SEPARATELY, Body
2	221578A1	4	PLUG, Hex Soc, M18 x 1.5, ORB, Includes 3
3	637-63153	4	O-RING, CI 6, 15.3MM ID x 2.2 Thk,
	318822A1	1	VALVE, SOLENOID, Inc. 4 - 9
4	NSS	1	NOT SERVICED SEPARATELY, Coil
5	NSS	1	NOT SERVICED SEPARATELY, Valve, Solenoid
6	NSS	1	NOT SERVICED SEPARATELY, Nut
7	237-6008	1	O-RING, 8-1, 90 Duro, .644" ID x .087" Thk,
8	238-5014	1	O-RING, -014, 70 Duro, .489" ID x .070" Thk,
9	238-5013	1	O-RING, -013, 70 Duro, .426" ID x .070" Thk,
	315514A1	1	PLUG, Inc. 10 - 13
10	NSS	1	NOT SERVICED SEPARATELY, Plug
11	238-6014	1	O-RING, -014, 90 Duro, .489" ID x .070" Thk,
12	238-6013	1	O-RING, -012, 90 Duro, .364" ID x .070" Thk,
13	237-6008	1	O-RING, 8-1, 90 Duro, .644" ID x .087" Thk,
	345794A1	1	PLUG, Inc. 14, 15
14	NSS	1	NOT SERVICED SEPARATELY, Plug
15	637-64236	1	O-RING, CI 6, 23.6MM ID x 2.9 Thk,
16	87697995	1	SLEEVE,
17	319665A1	1	PISTON,
18	319661A1	1	SPRING, Inner
19	319660A1	1	SPRING, Outer
20	221576A1	1	PLUG, Hex Soc, M14 x 1.5, ORB, Includes 21
21	637-63113	1	O-RING, CI 6, 11.3MM ID x 2.2 Thk,
22	320036A1	1	SPOOL,
23	322118A1	1	NUT,
24	319659A1	1	SPRING,

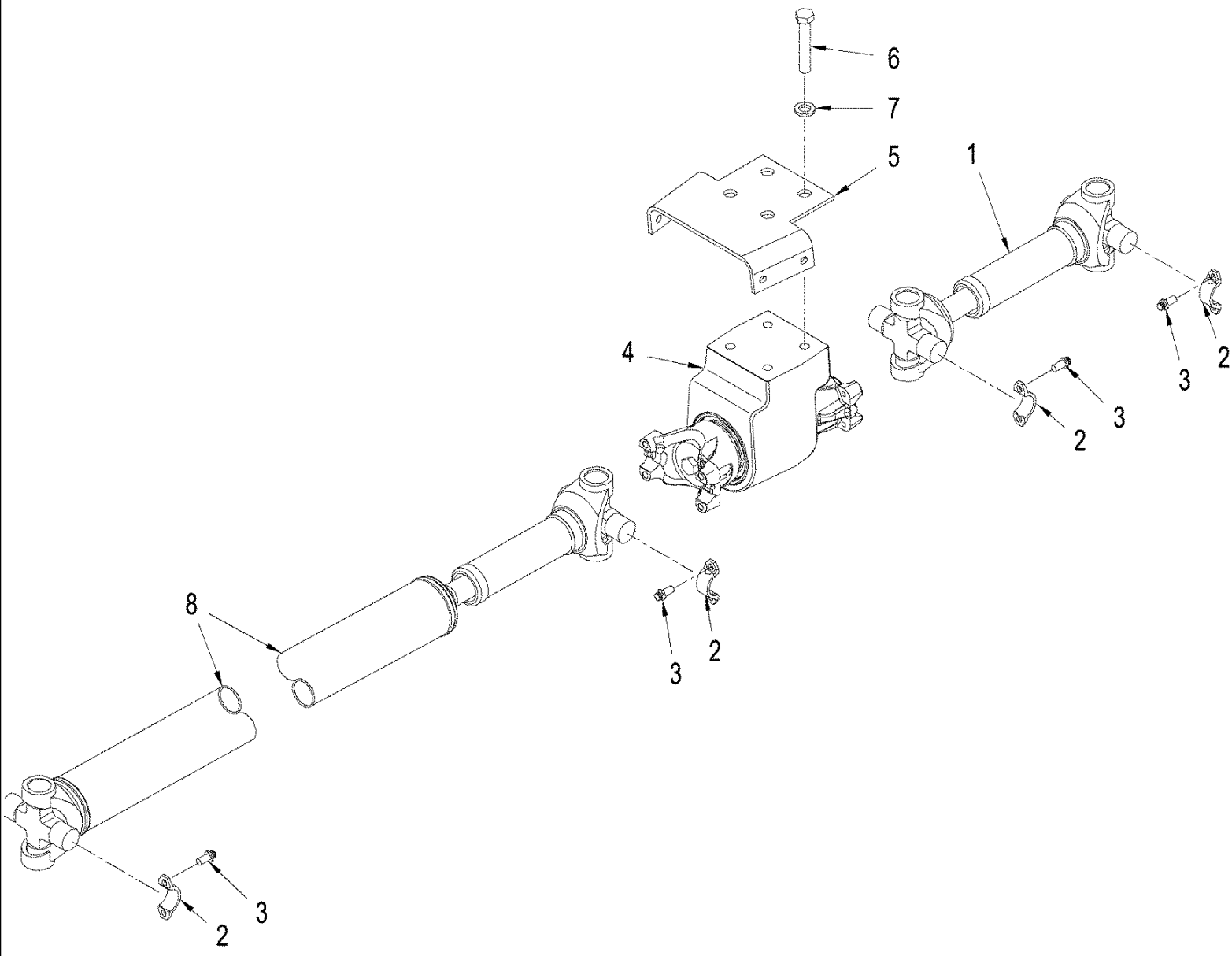
06-22 POWER TAKEOFF - LUBRICATION



STX530 CASE IH 4WD TRACTOR (BTW Z6F100023 - Z6F105001)

06-22 POWER TAKEOFF - LUBRICATION

сылка	Номер детали	Кол-во	Описание
1	895-11010	4	WASHER, M10 x 20 x 2,
2	627-10025	4	BOLT, Hex, M10 x 25, 10.9, Full Thd,
3	86992408	1	FITTING, Flange
4	700-102	3	CONNECTOR, HYD., 13/16"-16 ORFS x M18 x 1.5 ORB, Inc. 14, 15
5	637-63153	1	O-RING, CI 6, 15.3MM ID x 2.2 Thk,
6	238-6014	1	O-RING, -014, 90 Duro, .489" ID x .070" Thk,
7	86994525	1	HOSE ASSY., 3251 mm (128 in)
8	700-103	1	CONNECTOR, HYD., 1"-14 ORFS x M22 x 1.5 ORB, Incl. 9, 11
9	637-63133	1	O-RING, CI 6, 13.3MM ID x 2.2 Thk,
10	86994526	1	HOSE ASSY., 1270 mm (50 in), Rear Axle to PTO, With 450 Series Axles
10	87400234	1	HOSE ASSY., 1803 mm (71 in), Rear Axle to PTO, With 500 Series Axles
10	87400403	1	HOSE ASSY., 1563 mm (61-1/2 in), Rear Axle to PTO, QUADTRAC Tractor
11	238-6016	2	O-RING, -016, 90 Duro, .614" ID x .070" Thk,
12	238-6018	1	O-RING, -018, 90 Duro, .739" ID x .070" Thk,
13	515-23238	1	CLAMP, 15/16", Insul, 3/8" Bolt, , With 500 Series Axles

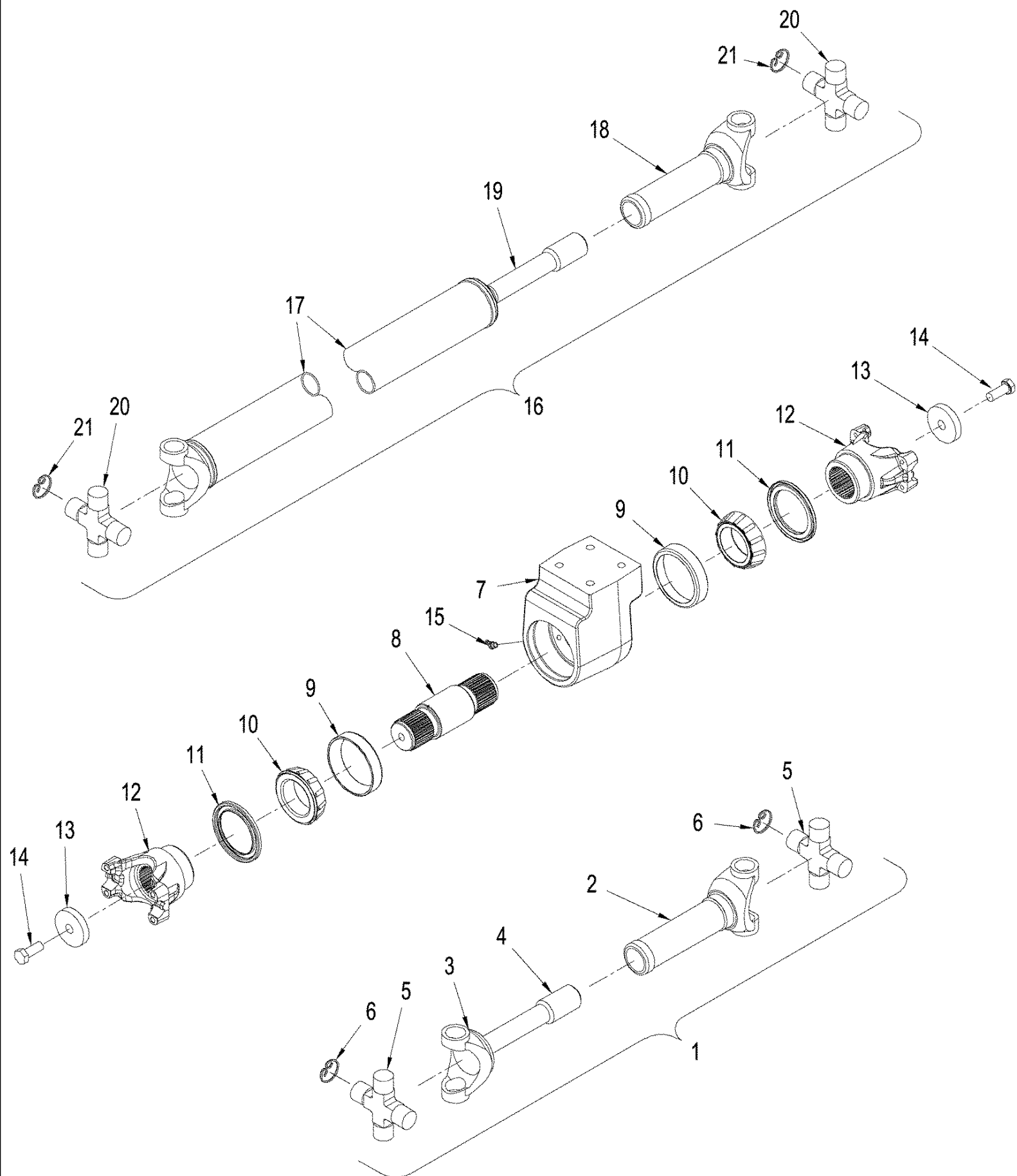


STX530 CASE IH 4WD TRACTOR (BTW Z6F100023 - Z6F105001)

06-23 POWER TAKEOFF - DRIVE SHAFT MOUNTING

сылка	Номер детали	Кол-во	Описание
1	404798A1	1	SHAFT, Articulation, See Figure: 06-24
2	L116943	8	SPIDER, U-JOINT,
3	868-10020	16	SCREW, 12 Pt Hd, M10 x 20, 12.9,
4	NSS	1	NOT SERVICED SEPARATELY, Support Assy, Hanger, Order Components, See Figure: 06-24
5	404604A1	1	BRACKET,
6	827-16080	4	BOLT, Hex, M16 x 80, 10.9, , With 450 Series Axles, STX Wheel Tractor
6	827-16090	4	BOLT, Hex, M16 x 90, 10.9, , STX Wheel Tractor, With 500 Series Axles
6	827-16100	4	BOLT, Hex, M16 x 100, 10.9, , QUADTRAC Tractor
7	896-11016	4	WASHER, M17.5 x 30 x 4, HT,
8	404799A1	1	SHAFT, DRIVE, Rear, See Figure: 06-24

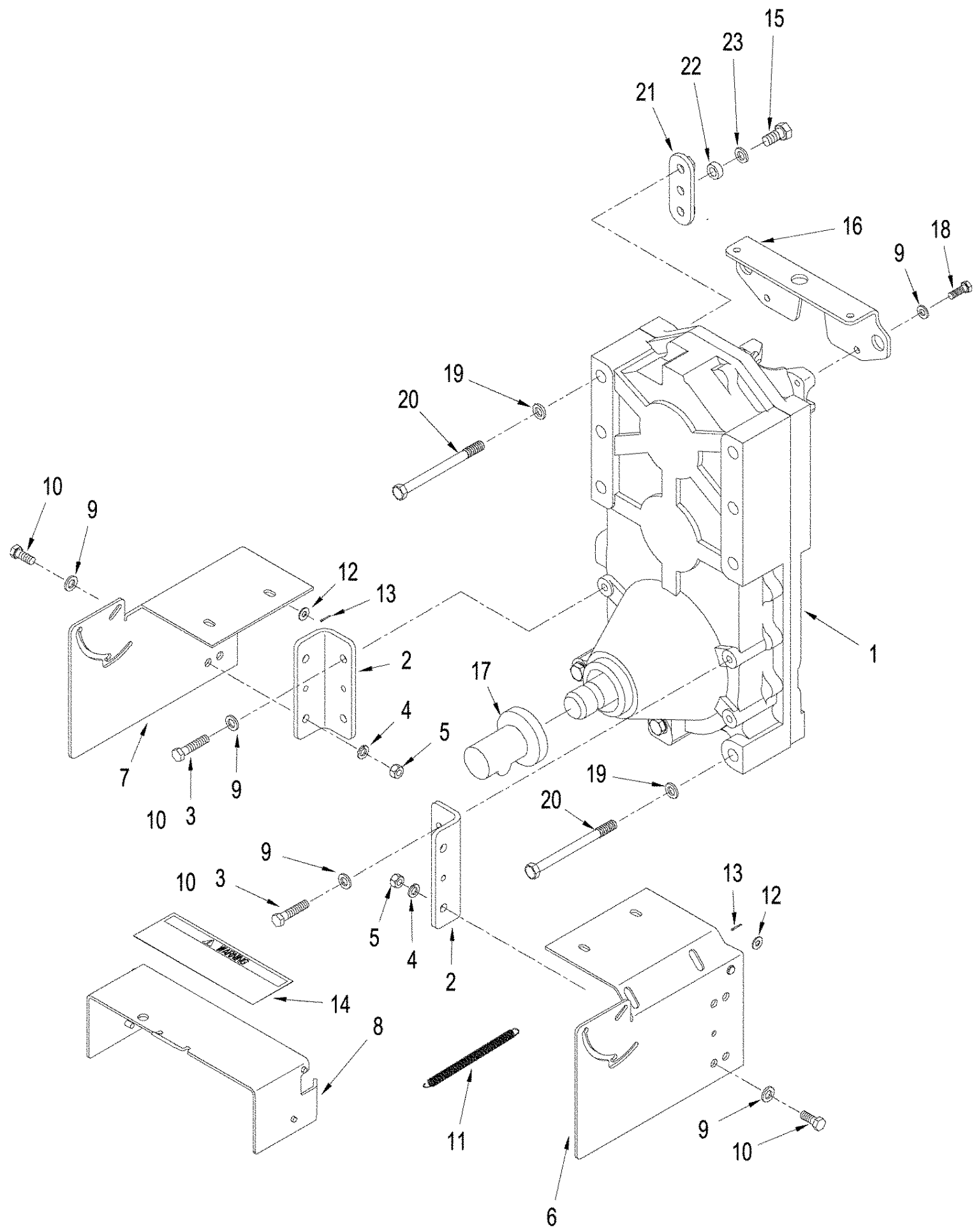
06-24 POWER TAKEOFF - DRIVE SHAFT ASSEMBLIES



STX530 CASE IH 4WD TRACTOR (BTW Z6F100023 - Z6F105001)

06-24 POWER TAKEOFF - DRIVE SHAFT ASSEMBLIES

сылка	Номер детали	Кол-во	Описание
1	404798A1	1	SHAFT, Articulation, Inc. 2 - 6
2	NSS	1	NOT SERVICED SEPARATELY, Yoke, Slip
3	NSS	1	NOT SERVICED SEPARATELY, Shaft
4	33-1001T1	1	RETAINER, SEAL,
5	S300313	2	SPIDER ASSY., Inc. 6
6	S92378	4	SNAP RING,
7	399447A1	1	HOUSING, BEARING,
8	399446A1	1	SHAFT, PTO Hanger Bearing
9	90-1322T1	2	BEARING SET,
10	90-1862T1	2	BEARING, CONE,
11	435537A1	2	SEAL,
12	398554A1	2	YOKE,
13	19-5864	2	WASHER, 5/8 x 2-3/4 x 1/2
14	627-16040	2	BOLT, Hex, M16 x 40, 10.9,
15	219-36	1	NIPPLE, LUBE, 45c, 1/8" NPT x 7/8" lg,
16	404799A1	1	SHAFT, DRIVE, Rear, Inc. 17 - 21
17	NSS	1	NOT SERVICED SEPARATELY, Shaft
18	NSS	1	NOT SERVICED SEPARATELY, Yoke, Slip
19	33-1001T1	1	RETAINER, SEAL,
20	S300313	2	SPIDER ASSY., Inc. 21
21	S92378	4	SNAP RING,

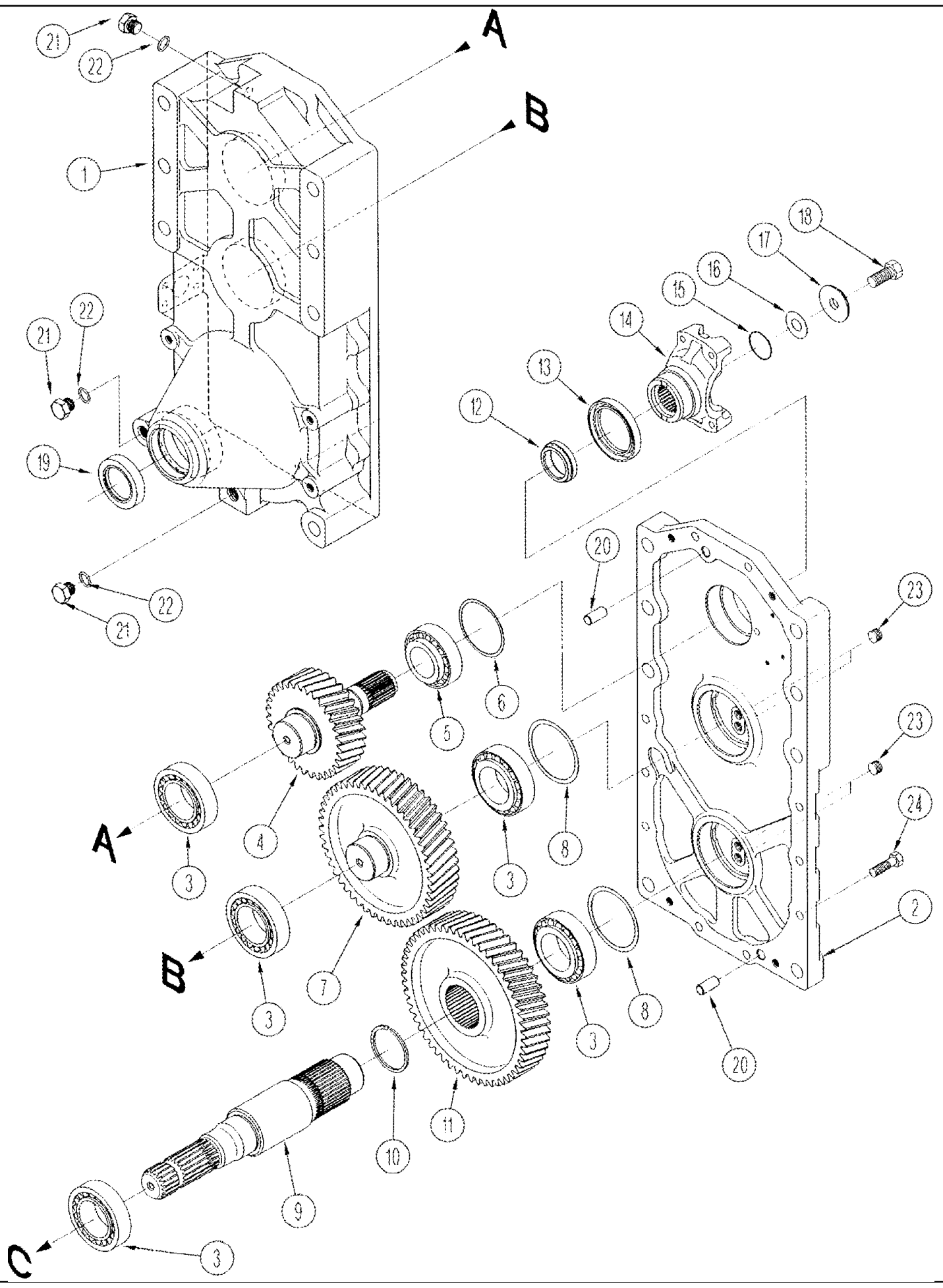


STX530 CASE IH 4WD TRACTOR (BTW Z6F100023 - Z6F105001)

06-25 POWER TAKEOFF - SAFETY SHIELDS

сылка	Номер детали	Кол-во	Описание
1	403073A1	1	GEARBOX ASSY, See Figure: 06-26
2	405394A1	2	BRACE, Mounting, PTO Safety Shields
3	827-12055	4	BOLT, Hex, M12 x 55, 10.9, , Mating Male Quick Connect Adapter is P/n 86544945.
4	892-11012	4	WASHER, LOCK, M12,
5	829-1412	4	NUT, M12, CI 10,
6	405396A1	1	COVER, Right-Hand
7	405395A1	1	COVER, Left-Hand
8	405397A1	1	SHIELD, Flip-up
9	896-11012	10	WASHER, M13.5 x 24.5 x 3, HT,
10	627-12030	6	BOLT, Hex, M12 x 30, 10.9, , Mating Male Quick Connect Adapter is P/n 86544945.
10	627-12030	10	BOLT, Hex, M12 x 30, 10.9, , Without Three Point Hitch
11	365853A1	2	SPRING,
12	895-15008	2	WASHER, M8 x 20 x 1.6,
13	733-2012	2	PIN, SPLIT (COTTER), M2 x 12,
14	327567A3	1	DECAL, PTO Safety Sheild
15	627-16025	2	BOLT, Hex, M16 x 25, 10.9, Full Thd,
16	405398A1	1	BRACKET, Optional PTO, If Used
17	383716A1	1	SHIELD, PTO Shaft
18	627-10030	2	BOLT, Hex, M10 x 30, 10.9, Full Thd,
19	896-11020	4	WASHER, M20 x 37.5 x 4, HT,
20	827-20230	4	BOLT, Hex, M20 x 230, 10.9,
21	259389A1	2	PLATE,
22	70-5967T1	2	SPACER,
23	896-11016	2	WASHER, M17.5 x 30 x 4, HT,

06-26 POWER TAKEOFF - TRANSFER CASE ASSEMBLY

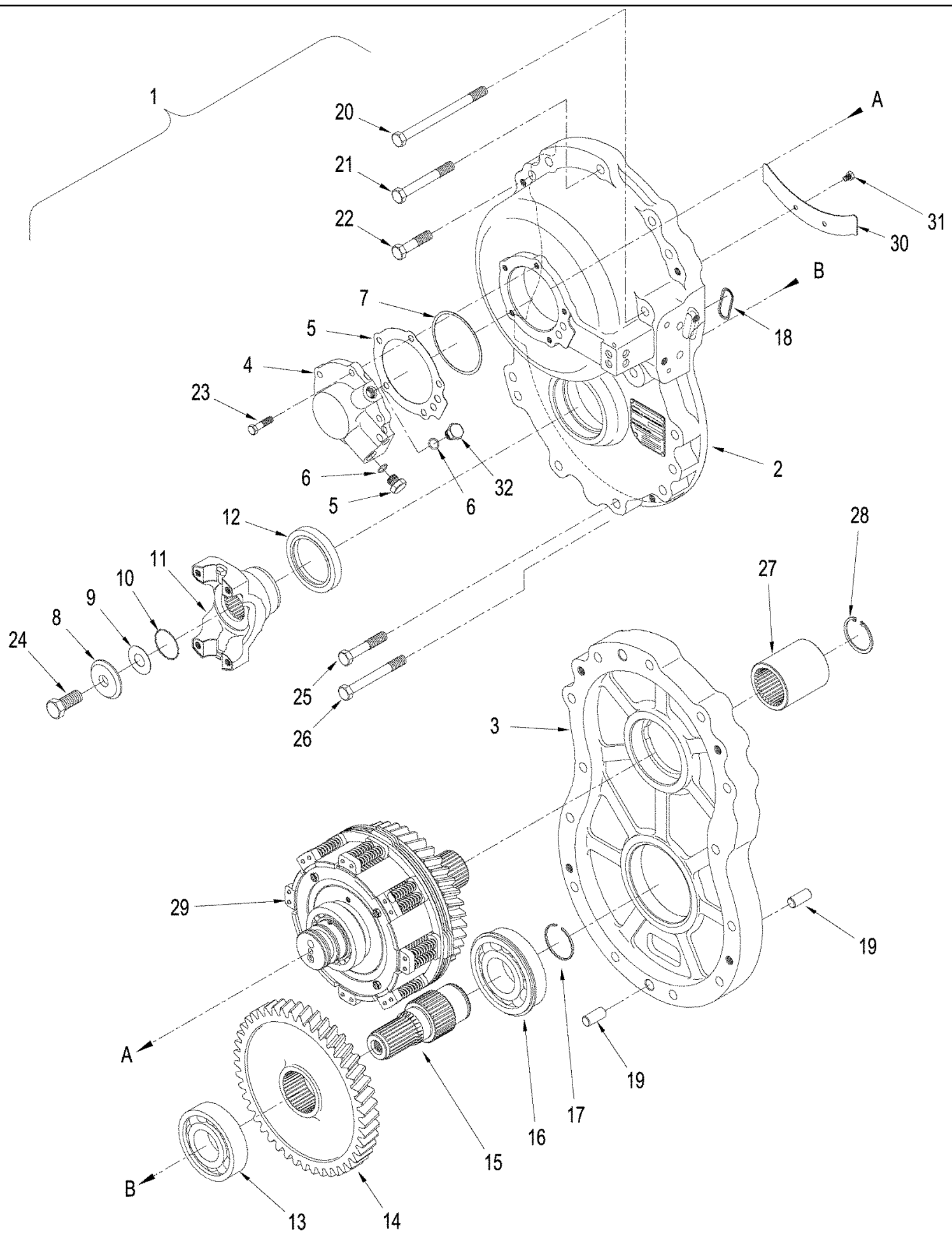


STX530 CASE IH 4WD TRACTOR (BTW Z6F100023 - Z6F105001)

06-26 POWER TAKEOFF - TRANSFER CASE ASSEMBLY

сылка	Номер детали	Кол-во	Описание
	403073A1	1	GEARBOX ASSY, Transfer, Inc. 1 - 24
1	375500A1	1	HOUSING, Rear
2	375501A1	1	HOUSING, Front
3	428183A1	5	BEARING,
4	375502A1	1	GEAR, Input
5	375503A1	1	BEARING,
6	375504A1	AR	SHIM,
6	375505A1	AR	SHIM,
6	375506A1	AR	SHIM,
6	375507A1	AR	SHIM,
7	375508A1	1	GEAR, Idler
8	428665A1	AR	SHIM, 0,10 mm (0,004 in)
8	428666A1	AR	SHIM, 0,30 mm (0,012 in)
8	428667A1	AR	SHIM, 0,50 mm (0,020 in)
8	428668A1	AR	SHIM, 0,70 mm (0,027 in)
8	428669A1	AR	SHIM, 0,15 mm (0,006 in)
9	375509A1	1	SHAFT, Output
10	S2240S00F	1	SNAP RING,
11	375510A1	1	GEAR, Output
12	375511A1	1	SPACER,
13	S8820S00F	1	SEAL, OIL,
14	398447A1	1	YOKE,
15	375512A1	1	O-RING,
16	S9950S00F	AR	SHIM, 0,10 mm (0,004 in)
16	S9960S00F	AR	SHIM, 0,30 mm (0,012 in)
16	S9970S00F	AR	SHIM, 0,51 mm (0,020 in)
16	S9980S00F	AR	SHIM, 0,71 mm (0,027 in)
17	S8860S00F	1	WASHER, THRUST,
18	514-1021	1	BOLT, Hex, M16 x 1.5 x 35, 10.9, Full Thd,
19	375514A1	1	SEAL, OIL,
20	427530A1	2	DOWEL,
21	220066A1	3	PLUG, M18 x 1.5, ORB, Inc. 22
22	637-63153	3	O-RING, CI 6, 15.3MM ID x 2.2 Thk,
23	375515A1	4	PLUG,
24	514-830	10	BOLT, Hex, M12 x 1.25 x 25, 8.8, Full Thd,

06-27 POWER TAKEOFF - CLUTCH ASSEMBLY

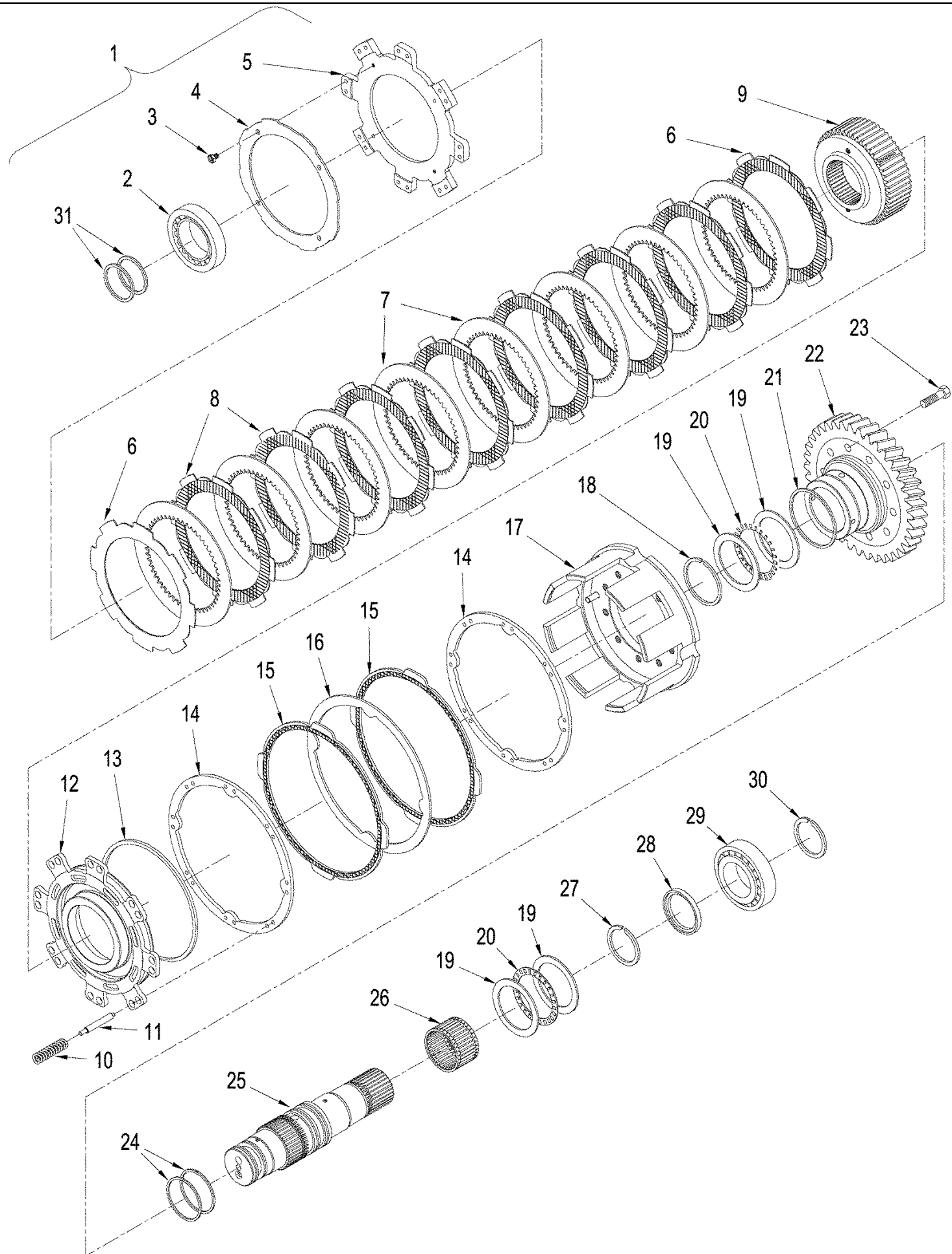


STX530 CASE IH 4WD TRACTOR (BTW Z6F100023 - Z6F105001)

06-27 POWER TAKEOFF - CLUTCH ASSEMBLY

сылка	Номер детали	Кол-во	Описание
1	87601931	1	CLUTCH. PTO, Inc. 2 - 32
2	375550A1	1	HOUSING, Front Cover
3	87601932	1	HOUSING, Rear Cover
4	375552A1	1	HOUSING,
5	375553A1	1	GASKET,
6	637-63113	1	O-RING, CI 6, 11.3MM ID x 2.2 Thk,
7	S9910S00F	AR	SHIM, 0,10 mm (0,004 in)
7	S9920S00F	AR	SHIM, 0,30 mm (0,012 in)
7	S9930S00F	AAR	SHIM, 0,50 mm (0,020 in)
7	S9940S00F	AR	SHIM, 0,70 mm (0,027 in)
8	S8860S00F	1	WASHER, THRUST,
9	S9950S00F	AR	SHIM, 0,10 mm (0,004 in)
9	S9960S00F	AR	SHIM, 0,30 mm (0,012 in)
9	S9970S00F	AR	SHIM, 0,51 mm (0,020 in)
9	S9980S00F	AR	SHIM, 0,71 mm (0,027 in)
10	375512A1	1	O-RING,
11	398447A1	1	YOKE,
12	S8820S00F	1	SEAL, OIL,
13	ST293	1	BEARING ASSY,
14	375554A1	1	GEAR, Driven
15	375555A1	1	SHAFT, Output
16	375559A1	1	BEARING, BALL,
17	375560A1	1	SNAP RING,
18	375556A1	1	GASKET,
19	427530A1	4	DOWEL,
20	SM8124208	2	BOLT,
21	514-846	4	BOLT, Hex, M12 x 1.25 x 90, 8.8,
22	514-855	2	BOLT, Hex, M12 x 1.25 x 50, 8.8, Full Thd,
23	614-8030	5	BOLT, Hex, M8 x 30, 8.8,
24	514-1021	1	BOLT, Hex, M16 x 1.5 x 35, 10.9, Full Thd,
25	514-847	2	BOLT, Hex, M12 x 1.25 x 50, 8.8,
26	514-854	7	BOLT, Hex, M12 x 1.25 x 100, 8.8, Full Thd,
27	428660A1	1	SLEEVE, , Used on Power Shift Models
28	800-2147	1	RING, SNAP, M47, Int, , Used on Power Shift Models
29	NSS	1	NOT SERVICED SEPARATELY, Input Shaft, See Figure: 06-28
30	376972A1	1	TROUGH,
31	614-6012	2	BOLT, Hex, M6 x 12, 8.8,
32	86611704	9	PLUG, Inc. 6

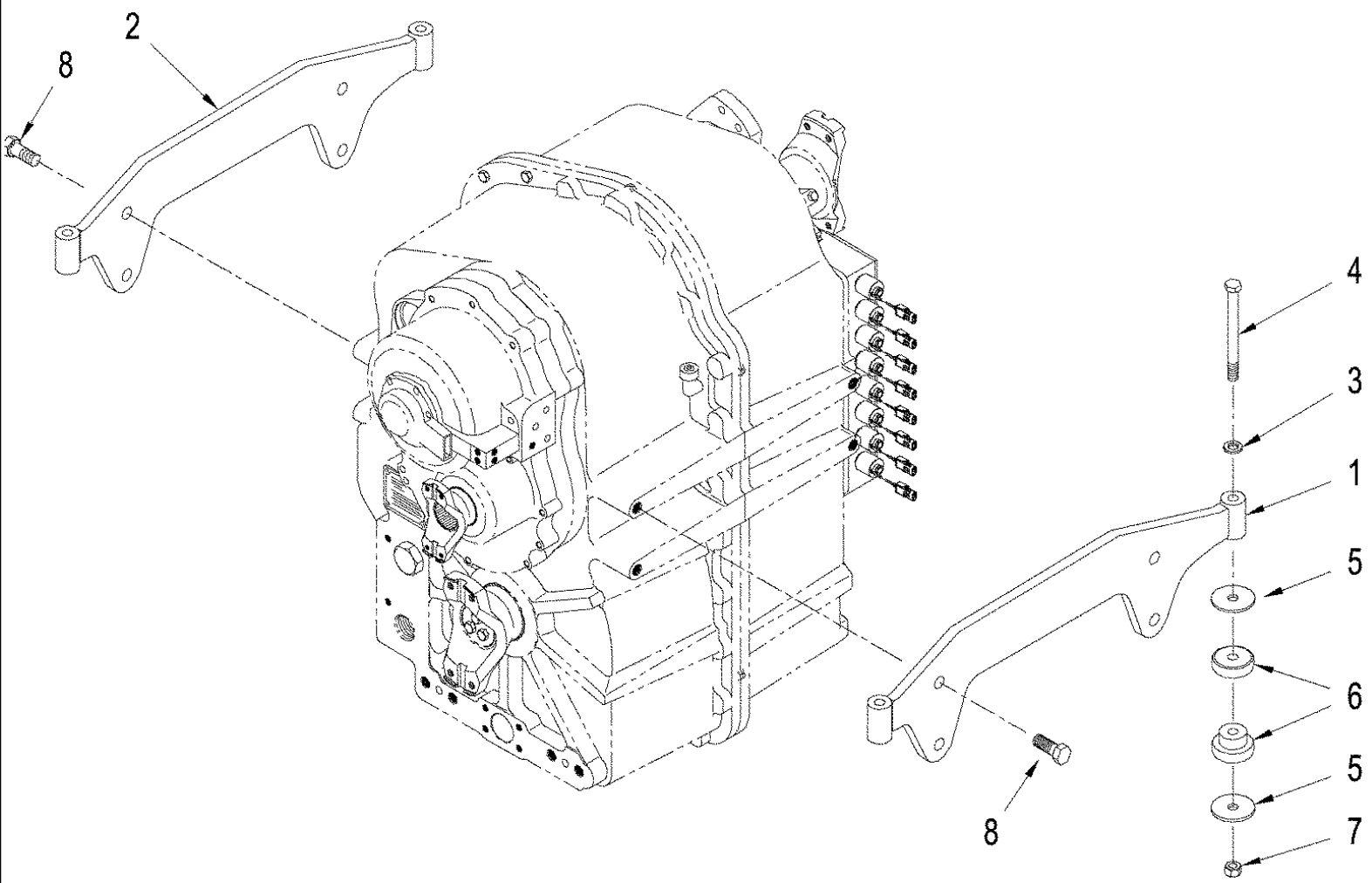
06-28 POWER TAKEOFF - INPUT SHAFT ASSEMBLY



STX530 CASE IH 4WD TRACTOR (BTW Z6F100023 - Z6F105001)

06-28 POWER TAKEOFF - INPUT SHAFT ASSEMBLY

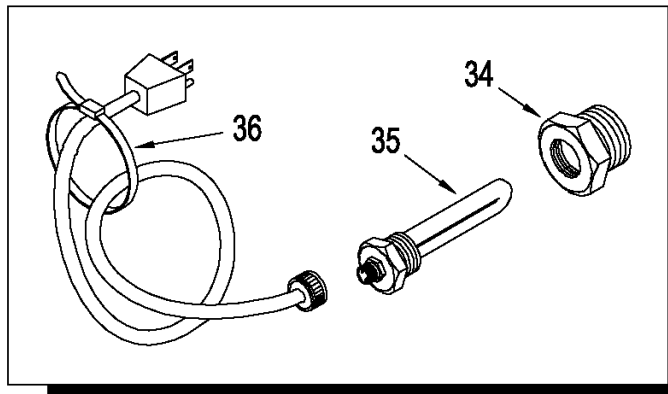
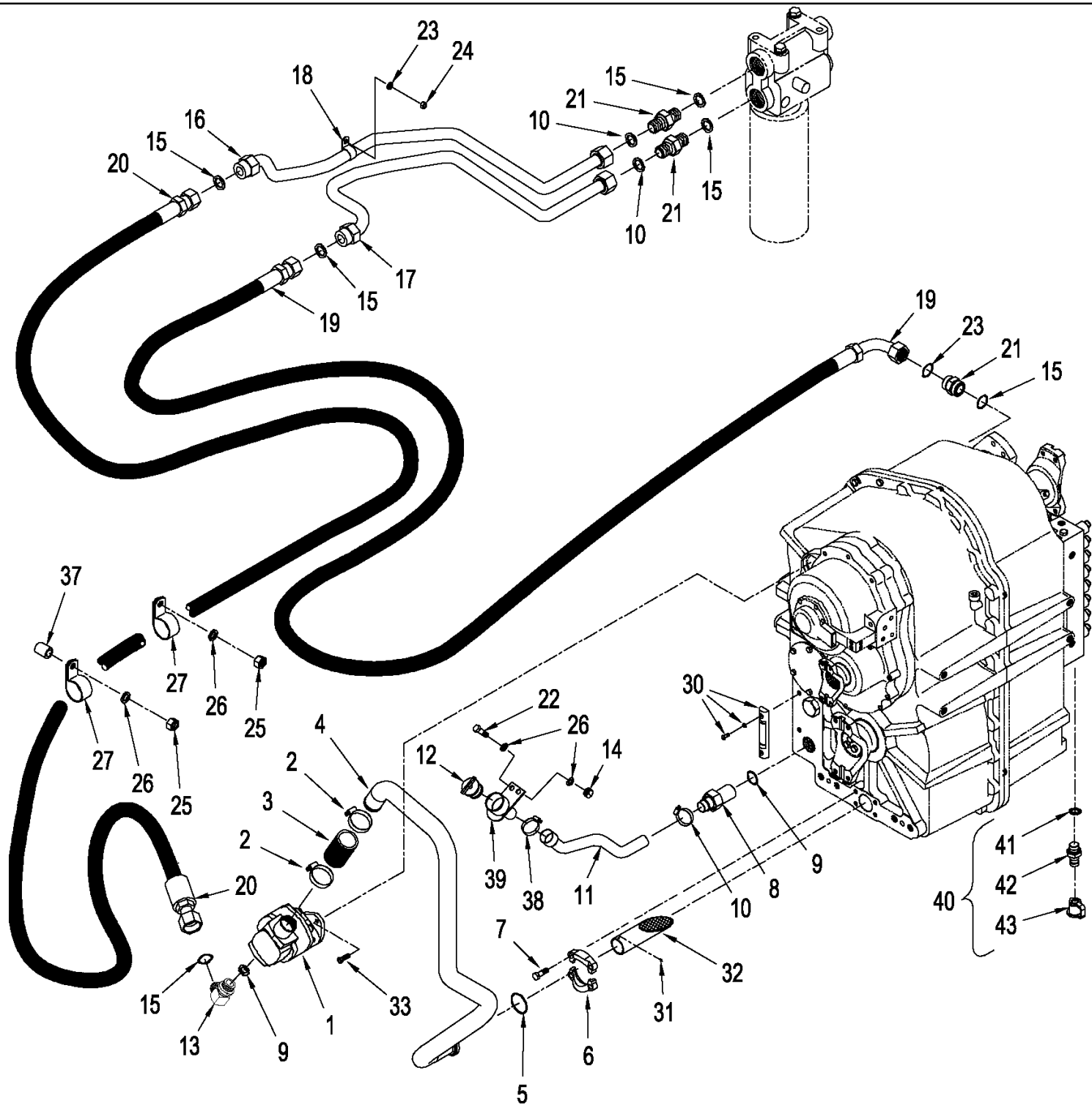
сылка	Номер детали	Кол-во	Описание
1	87601933	1	SHAFT, PTO, Input, Inc. 1 - 31
2	S8730S00F	1	BEARING, ROLLER,
3	375523A1	4	BOLT,
4	375525A1	1	PLATE,
5	375527A1	1	PLATE,
6	375528A1	2	DISC, CLUTCH, Faced
7	S2080S00F	8	DISC, CLUTCH, 2,4 mm
8	375529A1	7	DISC, CLUTCH, Faced
9	375530A1	1	HUB,
10	375531A1	16	SPRING, COIL, Brake Return
11	375532A1	16	PIN,
12	375533A1	1	PISTON,
13	352834A1	1	RING,
14	375534A1	2	PLATE, BRAKE, Steel
15	375535A1	2	PLATE, BRAKE, Faced
16	375536A1	1	PLATE, BRAKE, Steel
17	375538A1	1	DRUM,
18	S2240S00F	1	SNAP RING,
19	S2220S00F	4	WASHER, THRUST, 2,4 mm
20	572182R1	2	BEARING, THRUST,
21	S5510S00F	1	RING,
22	375540A1	1	PINION, Drive
23	514-730	10	BOLT, Hex, M10 x 1.25 x 35, 8.8, Full Thd,
24	375541A1	2	RETAINER, SEAL,
25	87601935	1	SHAFT, PTO, Input
26	375543A1	1	BEARING,
27	375544A1	1	RING, SNAP,
28	375545A1	1	WASHER,
29	375546A1	1	BEARING, CUP,
29	186621A1	1	BEARING, CONE,
30	375547A1	AR	RING, SNAP,
30	375548A1	AR	RING, SNAP,
30	375544A1	AR	RING, SNAP,
31	S3070S00F	2	RING,



STX530 CASE IH 4WD TRACTOR (BTW Z6F100023 - Z6F105001)

06-30 TRANSMISSION MOUNTING, POWER SHIFT TRANSMISSION

сылка	Номер детали	Кол-во	Описание
1	408706A1	1	PLATE, Transmission Mounting, LH
2	87335427	1	PLATE, MOUNTING, Transmission, RH
3	896-11022	4	WASHER, M22 x 44 x 4, HT,
4	828-22190	4	BOLT, Hex, M22 x 190, 10.9,
5	379611A1	8	WASHER,
6	340967A1	4	MOUNT, RUBBER,
7	829-1422	4	NUT, M22 x 2.5, CI 10,
8	627-20060	8	BOLT, Hex, M20 x 60, 10.9,



STX530 CASE IH 4WD TRACTOR (BTW Z6F100023 - Z6F105001)

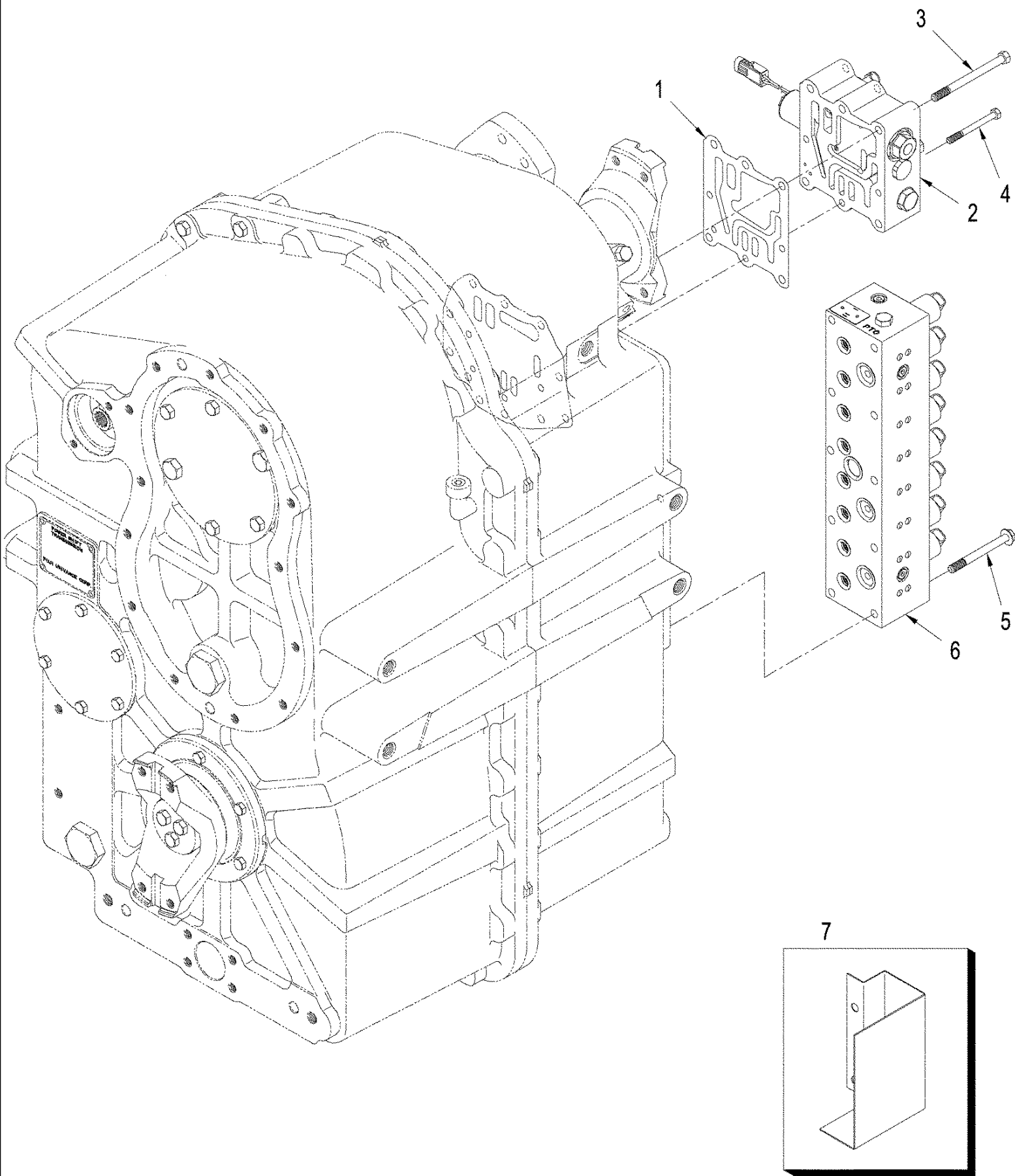
06-32 TRANSMISSION - LUBRICATION, WITH POWER SHIFT TRANSMISSION

сылка	Номер детали	Кол-во	Описание
1	370546A1	1	PUMP, Oil
2	214-3140	2	CLAMP, HOSE, 1.25/2.625 HD Worm,
3	31-2427	1	HOSE, 102 mm (4 in), Transmission to Oil Pump
4	408581A1	1	TUBE, Transmission to Oil Pump
5	238-6228	1	O-RING, -228, 90 Duro, 2.234" ID x .139" Thk,
6	A14141	2	FLANGE,
7	627-12035	4	BOLT, Hex, M12 x 35, 10.9,
8	87340823	1	CONNECTOR, HYD., Transmission Fill, Inc. 9
9	637-64386	3	O-RING, CI 6, 38.6MM ID x 2.9 Thk,
10	214-1420	1	CLAMP, HOSE, #20, 0.81/1.75 Type F Worm,
11	87597484	1	HOSE, Transmission Fill
12	325737A1	1	CAP, Transmission Fill
13	700-308	1	ELBOW, 90°, 1 7/16"-12 ORFS x M33 x 2 ORB, Inc. 10, 15
14	832-10410	2	NUT, LOCK, M10 x 1.5, CI 8,
15	238-6021	4	O-RING, -021, 90 Duro, .926" ID x .070" Thk,
16	87305825	1	TUBE ASSY., Transmission Pump to Filter
17	87338377	1	TUBE, HYD, Filter to Transmission Return
18	515-23254	3	CLAMP, 1", Insul, 3/8" Bolt,
19	87305833	1	HOSE ASSY., 775 mm (30-1/2 in), Supply, Filter to Transmission
19	437255A1S	1	HOSE ASSY., 1811 mm (71-5/16"), Supply, Filter to Transmission, Arctic QUADTRAC Tractor Application
20	87305831	1	HOSE ASSY., 1399 mm (55 in), Outlet, Oil Pump to Filter
20	437254A1S	1	HOSE ASSY., Outlet, Oil Pump to Filter, Arctic QUADTRAC Tractor Application
21	700-105	3	CONNECTOR, HYD., 1 7/16"-12 ORFS x M22 x 2 ORB, Inc. 10, 15
22	827-10045	2	BOLT, Hex, M10 x 45, 10.9,
23	895-11008	4	WASHER, M8 x 16 x 1.6,
24	829-1408	3	NUT, M8, CI 10,
25	829-1410	2	NUT, M10, CI 10,
26	895-11010	4	WASHER, M10 x 20 x 2,
27	515-22349	2	CLAMP, 1 3/8", Insul, 5/16" Bolt,
28	832-10410	2	NUT, LOCK, M10 x 1.5, CI 8,
29	895-11008	3	WASHER, M8 x 16 x 1.6,
30	L116247	1	GAUGE, Sight, Inc. Hardware
31	S14701960	1	BALL,
32	370551A1	1	TUBE ASSY.,
33	514-721	2	BOLT, Hex, M10 x 1.25 x 30, CI 8.8, Full Thd,
	186135A1	1	KIT, Transmission Heater, Inc. 34 - 35
34	367930A1	1	ADAPTER,
35	A164503	1	HEATER ASSY., 120 W, with Cord Set
35	387062A1	1	HEATER UNIT, 240 V, with Cord Set
36	22-824	5	STRAP, CABLE, 3/16" x 7 1/4",
37	432444A1	1	SPACER,
38	214-1428	1	CLAMP, HOSE, #28, 1.31/2.25 Type F Worm,
39	414480A2	1	TUBE ASSY., Fill
40	178889A1	1	FITTING, Diagnostic, Inc. 41 - 43

STX530 CASE IH 4WD TRACTOR (BTW Z6F100023 - Z6F105001)

06-32 TRANSMISSION - LUBRICATION, WITH POWER SHIFT TRANSMISSION

сылка	Номер детали	Кол-во	Описание
41	637-63113	1	O-RING, CI 6, 11.3MM ID x 2.2 Thk,
42	NSS	1	NOT SERVICED SEPARATELY, Fitting
43	H434163	1	DUST CAP, Dust

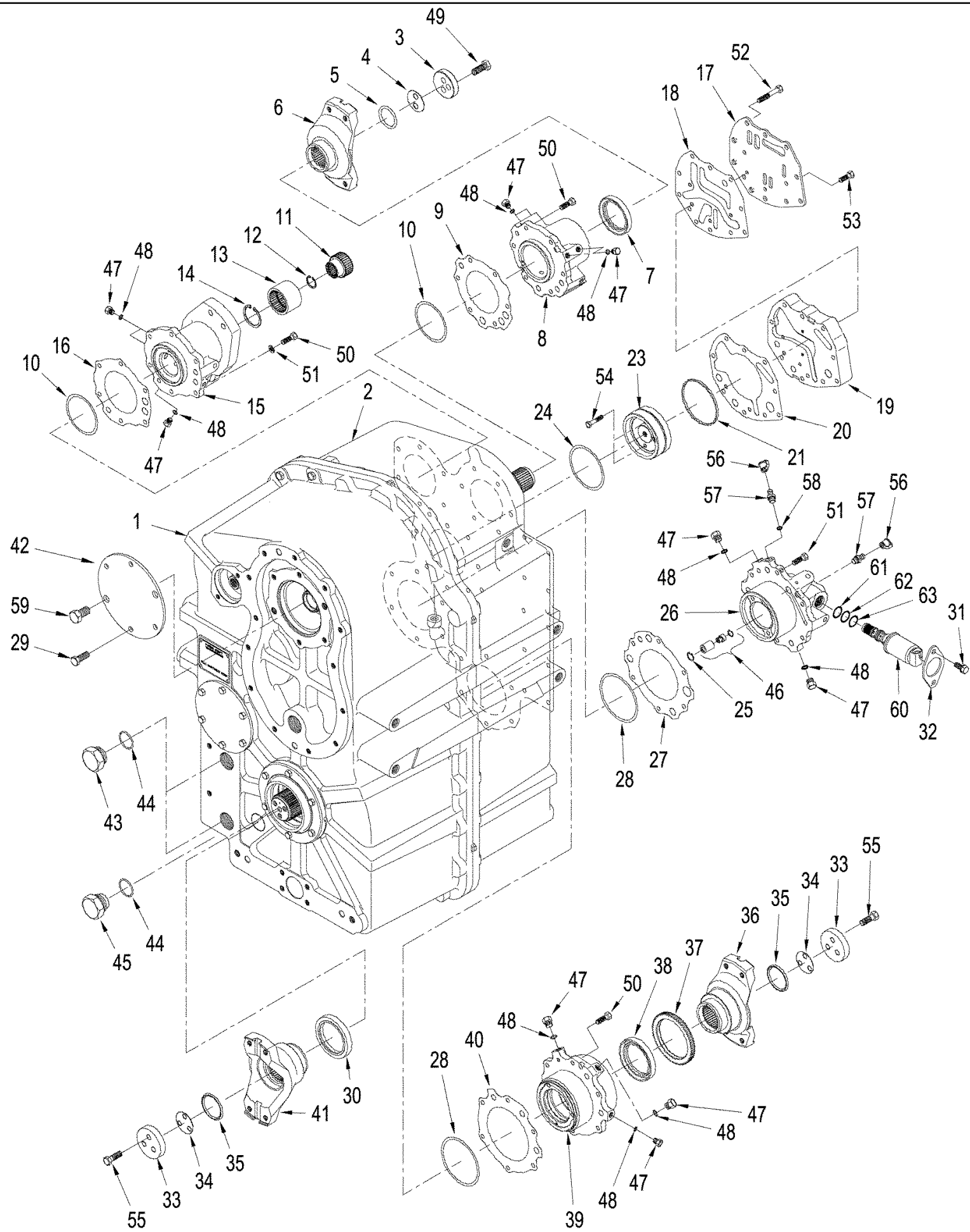


STX530 CASE IH 4WD TRACTOR (BTW Z6F100023 - Z6F105001)

06-48 POWER SHIFT TRANSMISSION - VALVE AND PUMP MOUNTING

сылка	Номер детали	Кол-во	Описание
1	87351408	1	GASKET, Regulator
2	87350388	1	VALVE, Regulator, See Figure: 06-60
3	514-739	5	BOLT, Hex, M10 x 1.25 x 120, 8.8,
4	614-8080	3	BOLT, Hex, M8 x 80, 8.8, Full Thd,
5	87362227	10	BOLT,
6	87350421	1	VALVE, Range Selector, See Figure: 06-61
7	87335429	1	COVER, Solenoid

06-49 POWER SHIFT TRANSMISSION - COVERS AND YOKES



STX530 CASE IH 4WD TRACTOR (BTW Z6F100023 - Z6F105001)

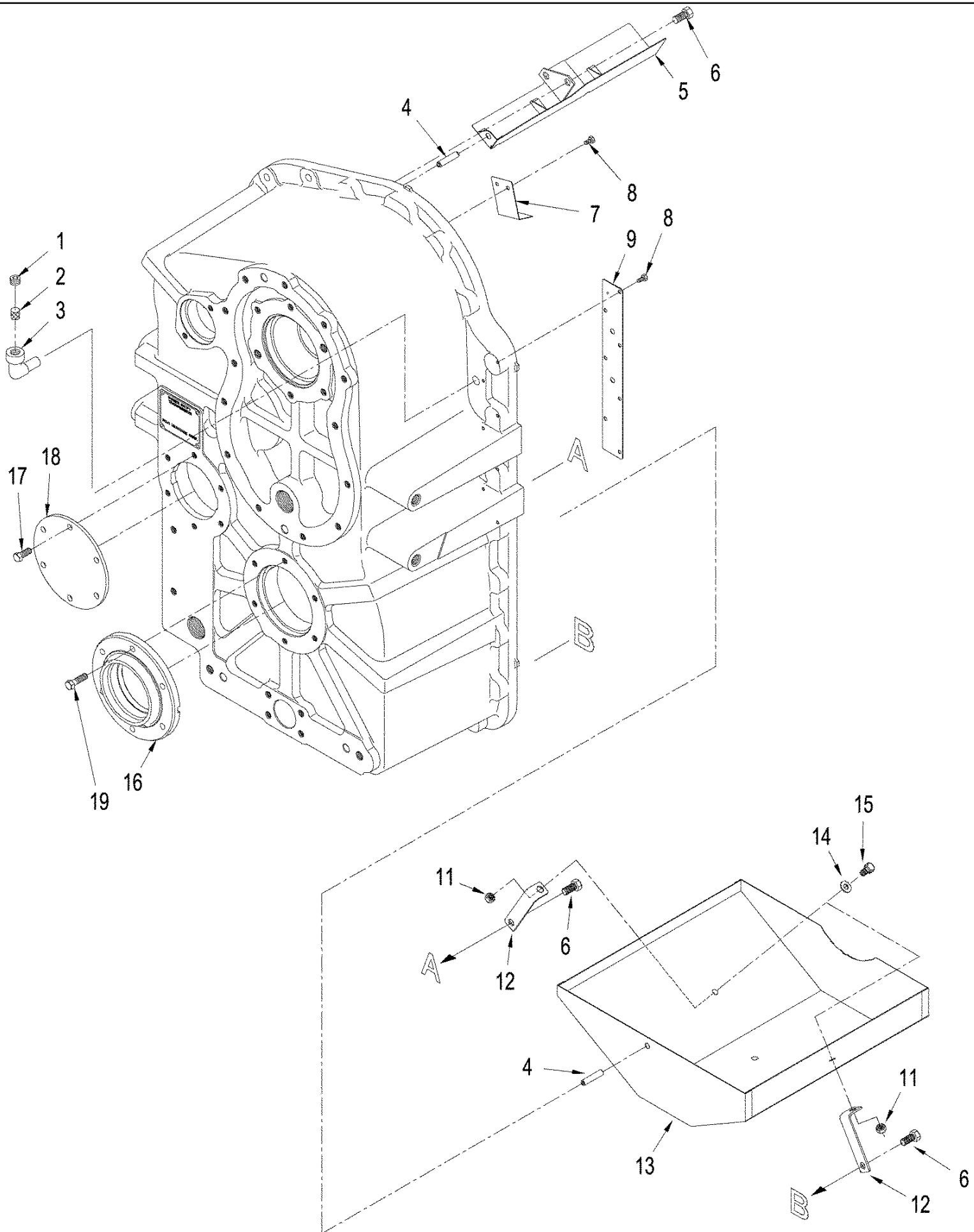
06-49 POWER SHIFT TRANSMISSION - COVERS AND YOKES

сылка	Номер детали	Кол-во	Описание
1	87350466	1	TRANSMISSION HOUSING, Rear
2	87350479	1	HOUSING, Transmision, Front
3	427539A1	1	PLATE, RETAINING,
4	427560A1	AR	SHIM, 0,10 mm (0,004 in)
4	427561A1	AR	SHIM, 0,30 mm (0,012 in)
4	427562A1	AR	SHIM, 0,50 mm (0,020in)
5	428162A1	1	O-RING,
6	373136A1	1	COUPLING FLANGE, 8C, Input, With 450 Series Axles
6	362563A1	1	COUPLING FLANGE, 8,5C, Input, With 500 Series Axles
7	428159A1	1	SEAL, OIL,
8	362564A1	1	RETAINER, Input
9	362565A1	1	GASKET, Input Retainer
10	359242A1	AR	SHIM, 0,10 mm (0,004 in)
10	359243A1	AR	SHIM, 0,15 mm (0,006 in)
10	359244A1	AR	SHIM, 0,3 mm (0,012)
10	359251A1	AR	SHIM, 0,5 mm (0,020)
11	362566A1	1	ADAPTER,
12	800-2128	1	RING, SNAP, M28, Int,
13	362567A1	1	COUPLING,
14	428681A1	1	SNAP RING,
15	87542516	1	RETAINER, Second Shaft
16	362569A1	1	GASKET, Second Shaft
17	87351326	1	PLATE, Valve
18	87351331	1	GASKET, Valve
19	87351392	1	PLATE, Ditch
20	87351393	1	GASKET, Third Shaft
21	362574A1	1	O-RING,
23	87362252	1	RETAINER, Third Shaft
24	359252A1	AR	SHIM, 0,10 mm (0,004 in)
24	359253A1	AR	SHIM, 0,15 mm (0,006 in)
24	362576A1	AR	SHIM, 0,3 mm (0,012 in)
24	362577A1	AR	SHIM, 0,5 mm (0,020 in)
25	100-2156	1	RING, SNAP, 0.562", Int, #56,
26	87351399	1	MANIFOLD VALVE, Clutch
27	362580A1	1	GASKET, Clutch Manifold Valve
28	427564A1	AR	SHIM, 0,10 mm (0,004 in)
28	427565A1	AR	SHIM, 0,15 mm (0,006 in)
28	427566A1	AR	SHIM, 0,30 mm (0,012 in)
28	427567A1	AR	SHIM, 0,50 mm (0,020 in)
28	427568A1	AR	SHIM, 0,70 mm (0,027 in)
29	514-842	4	BOLT, Hex, M12 x 1.25 x 25, 8.8, Full Thd,
30	87351325	1	SEAL, OIL, Oil
31	614-8020	2	BOLT, Hex, M8 x 20, 8.8,
32	87351402	1	PLATE, Valve Retainer
33	427515A1	2	PLATE, RETAINING,

STX530 CASE IH 4WD TRACTOR (BTW Z6F100023 - Z6F105001)

06-49 POWER SHIFT TRANSMISSION - COVERS AND YOKES

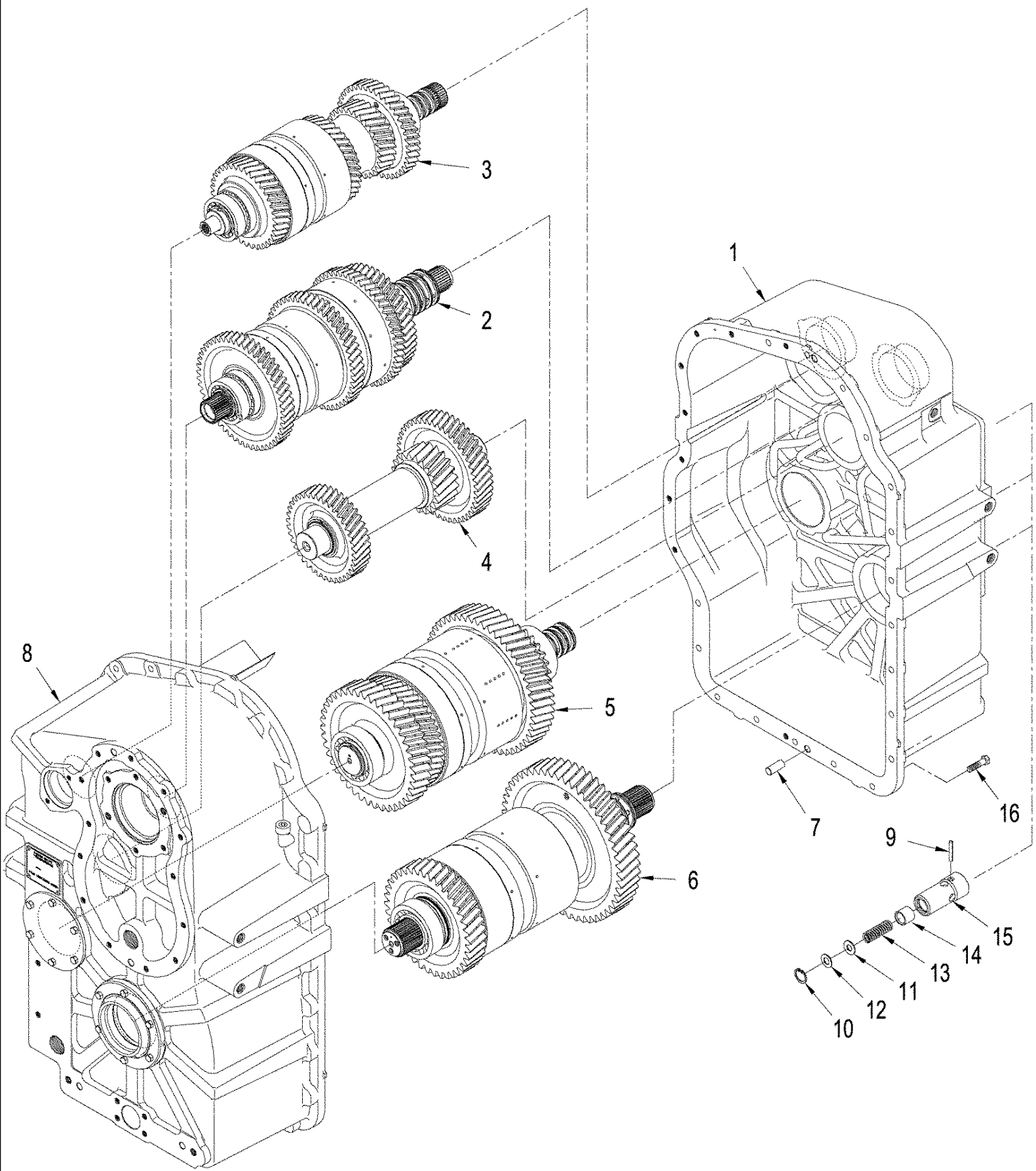
сылка	Номер детали	Кол-во	Описание
34	427517A1	AR	SHIM, 0,10 mm
34	427519A1	AR	SHIM, 0,30 mm
35	428165A1	2	O-RING,
36	373137A1	1	COUPLING FLANGE, 8C, Output, With 450 Series Axles
36	362598A1	1	COUPLING FLANGE, 8,5C, Output, With 500 Series Axles
37	362601A1	1	RING, Speed Pick-up
38	427514A1	2	SEAL, OIL,
39	362602A1	1	RETAINER, Output
40	362603A1	1	GASKET, Output Retainer
41	87351323	1	YOKE, 8C, Output, With 450 Series Axles
41	87351322	1	YOKE, 8,5C, Output, With 500 Series Axles
42	427558A1	1	COVER, Power Takeoff
43	303493A1	2	PLUG, Hex Soc, M42 x 2, ORB, Inc. 44
44	637-64386	3	O-RING, CI 6, 38.6MM ID x 2.9 Thk,
45	375456A1	1	PLUG, DRAIN, M42 orb x 2, Inc. 46
46	87350436	1	VALVE, CHECK, 4,45 mm
47	220064A1	14	PLUG, M14 x 1.5, ORB, Inc. 48
48	637-63113	1	O-RING, CI 6, 11.3MM ID x 2.2 Thk,
49	514-915	2	BOLT, Hex, M14 x 1.5 x 35, 8.8, Full Thd,
50	514-730	24	BOLT, Hex, M10 x 1.25 x 35, 8.8, Full Thd,
51	892-11010	6	WASHER, LOCK, M10,
52	514-712	2	BOLT, Hex, M10 x 1.25 x 25, 8.8, Full Thd,
53	514-723	4	BOLT, Hex, M10 x 1.25 x 60, 8.8,
54	614-8040	2	BOLT, Hex, M8 x 40, 8.8, Full Thd,
55	514-853	6	BOLT, Hex, M12 x 1.25 x 35, 10.9, Full Thd,
	178889A1	1	FITTING, Diagnostic, Inc. 56 - 58
56	H434163	1	DUST CAP, Dust
57	NSS	1	NOT SERVICED SEPARATELY, Fitting, Diagnostic
58	637-63113	1	O-RING, CI 6, 11.3MM ID x 2.2 Thk,
59	427559A1	2	SCREW,
60	87357396	AR	VALVE, SOLENOID, Pulse with Modulation, Inc. 61 - 63
61	87014033	1	O-RING, -019, CI 7, .801" ID x .070" Thk,
62	238-7016	1	O-RING, -016, CI 7, .614" ID x .070" Thk,
63	238-7015	1	O-RING, -015, CI 7, .551" ID x .070" Thk,



STX530 CASE IH 4WD TRACTOR (BTW Z6F100023 - Z6F105001)

06-50 POWER SHIFT TRANSMISSION - REAR HOUSING

сылка	Номер детали	Кол-во	Описание
1	428156A1	1	PLUG,
2	427524A1	1	BREATHER,
3	370632A1	1	TUBE, Breather
4	838-51040	2	PIN, LOCK, M10 x 40, Slotted,
5	87350473	1	GUTTER, Oil
6	514-842	2	BOLT, Hex, M12 x 1.25 x 25, 8.8, Full Thd,
7	370634A1	1	TROUGH, Second
8	614-6012	9	BOLT, Hex, M6 x 12, 8.8,
9	370635A2	1	BAFFLE, Air
10	87350466	1	TRANSMISSION HOUSING, Rear
11	825-11410	2	NUT, M10 x 1.25, CI 8,
12	370637A1	2	BRACKET, Mounting, Oil Baffle
13	87350496	1	BAFFLE, Transmission Oil
14	895-11010	2	WASHER, M10 x 20 x 2,
15	514-703	2	BOLT, Hex, M10 x 1.25 x 20, 8.8, Full Thd,
16	87350470	1	RETAINER, Rear, Output
17	838-51045	6	PIN, LOCK, M10 x 45, Slotted,
18	87350468	1	COVER, Rear, Fourth
19	514-730	6	BOLT, Hex, M10 x 1.25 x 35, 8.8, Full Thd,

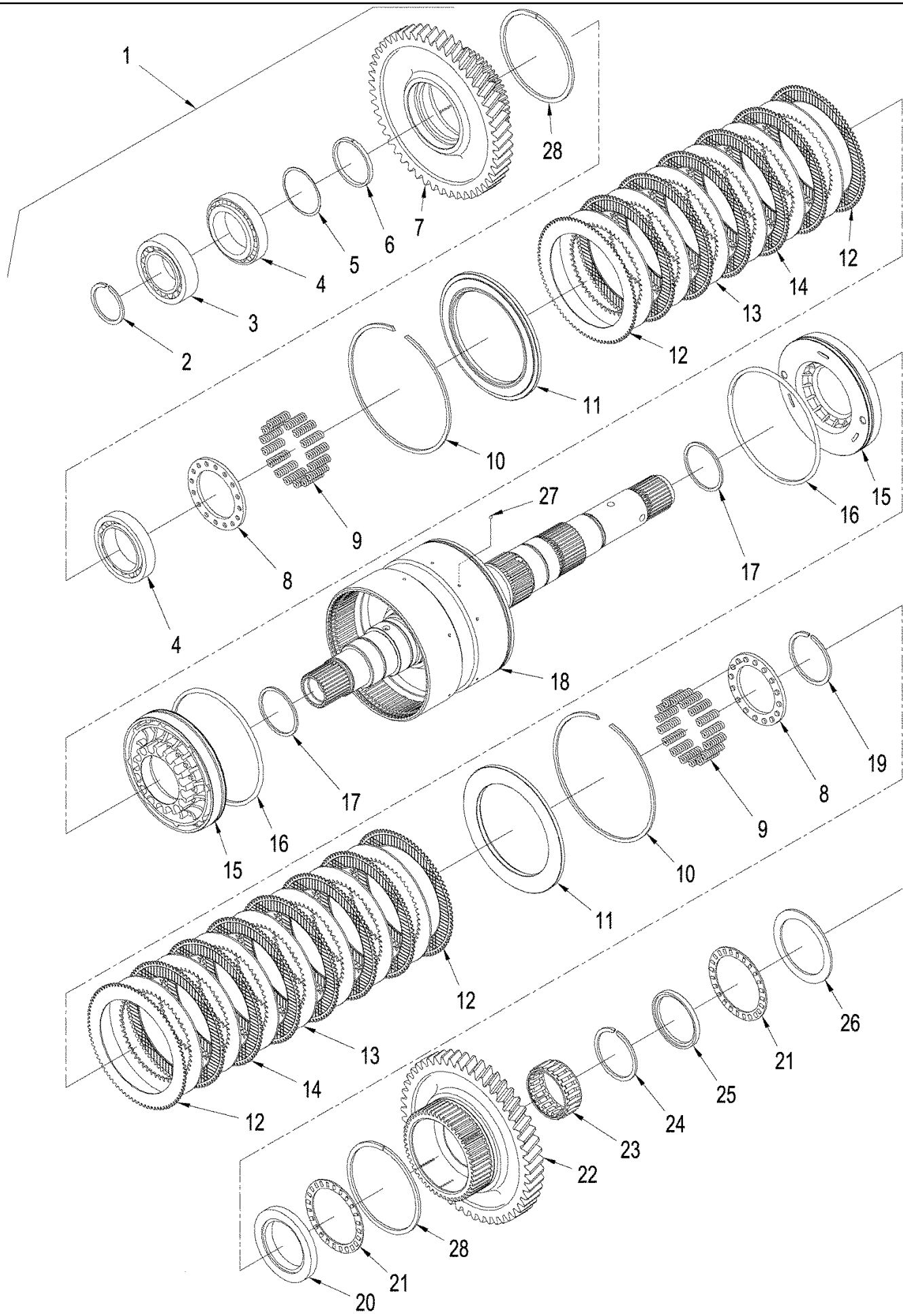


STX530 CASE IH 4WD TRACTOR (BTW Z6F100023 - Z6F105001)

06-51 POWER SHIFT TRANSMISSION - HOUSING AND CLUTCHES

сылка	Номер детали	Кол-во	Описание
1	87350479	1	HOUSING, Front
2	87350228	1	SHAFT, CLUTCH INPUT, Input, 8C, (8" Yoke) See Figure 06-52 & 06-53, BSN Z6F105039
2	87552053	1	SHAFT, CLUTCH INPUT, Input, 8C, (8" Yoke) See Figure 06-52 & 06-53, ASN Z6F105039
2	87350227	1	SHAFT, CLUTCH INPUT, Input, 8,5C, (8.5" Yoke) See Figure 06-52 & 06-53, BSN Z6F105039
2	87552050	1	SHAFT, CLUTCH INPUT, Input, 8,5C, (8.5" Yoke) See Figure 06-52 & 06-53, ASN Z6F105039
3	87350268	1	SHAFT, CLUTCH INPUT, Second, 8C, (8" Yoke) See Figure 06-54
3	87350264	1	SHAFT, CLUTCH INPUT, Second, 8,5C, (8.5" Yoke) See Figure 06-54
4	REF	1	INSTRUCTION, Shaft, Third, Order Components, See Figure 06-65
5	87350312	1	SHAFT, CLUTCH INPUT, Fourth, 8C, (8" Yoke) See Figure 06-56 & 06-57
5	87350309	1	SHAFT, CLUTCH INPUT, Fourth, 8,5C, (8.5" Yoke) See Figure 06-56 & 06-57
6	87350349	1	SHAFT, CLUTCH INPUT, Fifth, 8C, (8" Yoke) See Figure 06-58 & 06-59
6	87350342	1	SHAFT, CLUTCH INPUT, Fifth, 8,5C, (8.5" Yoke) See Figure 06-58 & 06-59
7	427530A1	2	DOWEL,
8	87350466	1	TRANSMISSION HOUSING, Rear
9	838-1318	4	PIN, LOCK, M3 x 18, Slotted,
10	800-2112	4	RING, SNAP, M12, Int,
11	895-11005	4	WASHER, M5 x 10 x 1,
12	370542A1	4	SHIM,
13	370543A1	4	SPRING, Valve Check
14	370544A1	4	SPOOL, Drain
15	370545A1	4	CAP, Press
16	514-831	25	BOLT, Hex, M12 x 1.25 x 45, 8.8, Full Thd,

06-52 POWER SHIFT TRANSMISSION - INPUT SHAFT ASSEMBLY

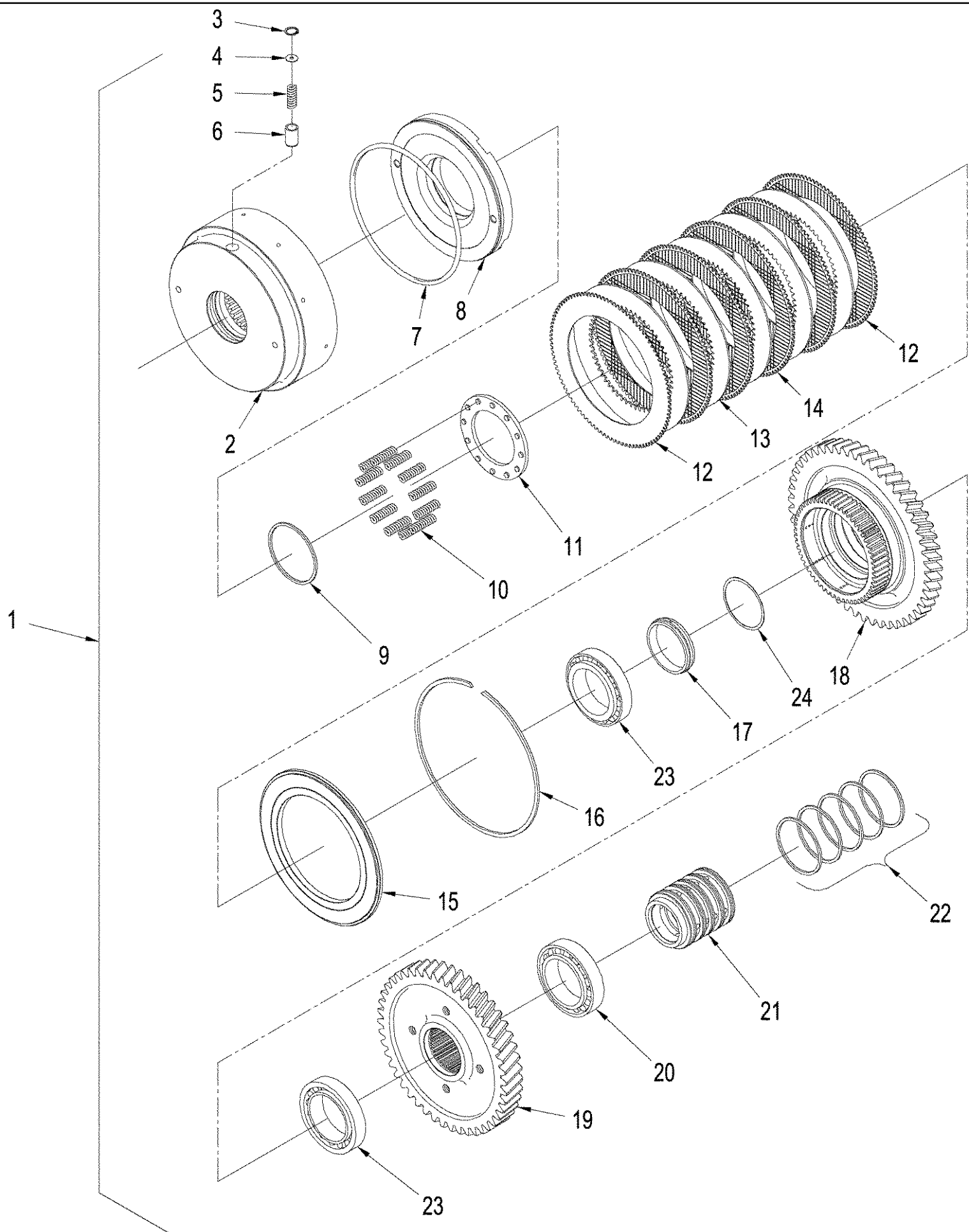


STX530 CASE IH 4WD TRACTOR (BTW Z6F100023 - Z6F105001)

06-52 POWER SHIFT TRANSMISSION - INPUT SHAFT ASSEMBLY

сылка	Номер детали	Кол-во	Описание
1	87350228	1	SHAFT, CLUTCH INPUT, Input, 8C, (8" Yoke) Inc. 2 - 28, Also See Figure 06-53, BSN Z6F105039
	87552053	1	SHAFT, CLUTCH INPUT, Input, 8C, (8" Yoke) Inc. 2 - 28, Also See Figure 06-53, ASN Z6F105039
1	87350227	1	SHAFT, CLUTCH INPUT, Input, 8,5C, (8.5" Yoke) Inc. 2 - 28, Also See Figure 06-53, BSN Z6F105039
	87552050	1	SHAFT, CLUTCH INPUT, Input, 8,5C, (8.5" Yoke) Inc. 2 - 28, Also See Figure 06-53, ASN Z6F105039
2	352378A1	AR	SNAP RING, 2,5 mm
2	352394A1	AR	SNAP RING, 2,6 mm
2	352397A1	AR	SNAP RING, 2,7 mm
2	352400A1	AR	SNAP RING, 2,8 mm
2	352815A1	AR	SNAP RING, 2,9 mm
2	352816A1	AR	SNAP RING, 3,0 mm
3	428183A1	1	BEARING,
4	352817A1	4	BEARING,
5	352818A1	AR	SHIM, 0,15 mm (0.006 in)
5	352819A1	AR	SHIM, 0,18 mm (0.007 in)
5	352820A1	AR	SHIM, 0,20 mm (0.008 in)
5	352821A1	AR	SHIM, 0,25 mm (0.010 in)
5	352822A1	AR	SHIM, 0,30 mm (0.012 in)
5	352823A1	AR	SHIM, 0,50 mm (0.020 in)
6	352825A1	1	SPACER,
7	87350229	1	GEAR, 1R
8	87350230	2	PLATE, Retainer Springs
9	362616A1	32	SPRING, Return
10	352829A1	2	SNAP RING,
11	87350231	2	PLATE, Clutch End, 8C
11	87431390	2	PLATE, Clutch End, 8,5C
12	352831A1	4	DISC, CLUTCH, Faced
13	S2080S00F	AR	DISC, CLUTCH, If Used, 2,4 mm (0.094 in)
13	S2090S00F	AR	DISC, CLUTCH, If Used, 2,1 mm (0.083 in)
14	352832A1	11-13	DISC, CLUTCH, Faced
15	87350236	2	PISTON, 7"
16	87431391	2	RING, Seal
17	S2610S00F	2	RING,
18	87350255	1	SHAFT, Drum Assy., 8C
18	87350251	1	SHAFT, Drum Assy., 8,5C
19	428163A1	1	SNAP RING,
20	353059A1	1	WASHER, THRUST,
21	87640391	2	BEARING, NEEDLE,
22	87350258	1	GEAR, 1M
23	87350260	1	BEARING, NEEDLE,
24	358866A1	1	SNAP RING,
25	358867A1	1	SPACER,
26	358908A1	1	WASHER, THRUST,
27	S14701960	1	BALL,
28	87431394	2	RING, Seal

06-53 POWER SHIFT TRANSMISSION - INPUT SHAFT ASSEMBLY

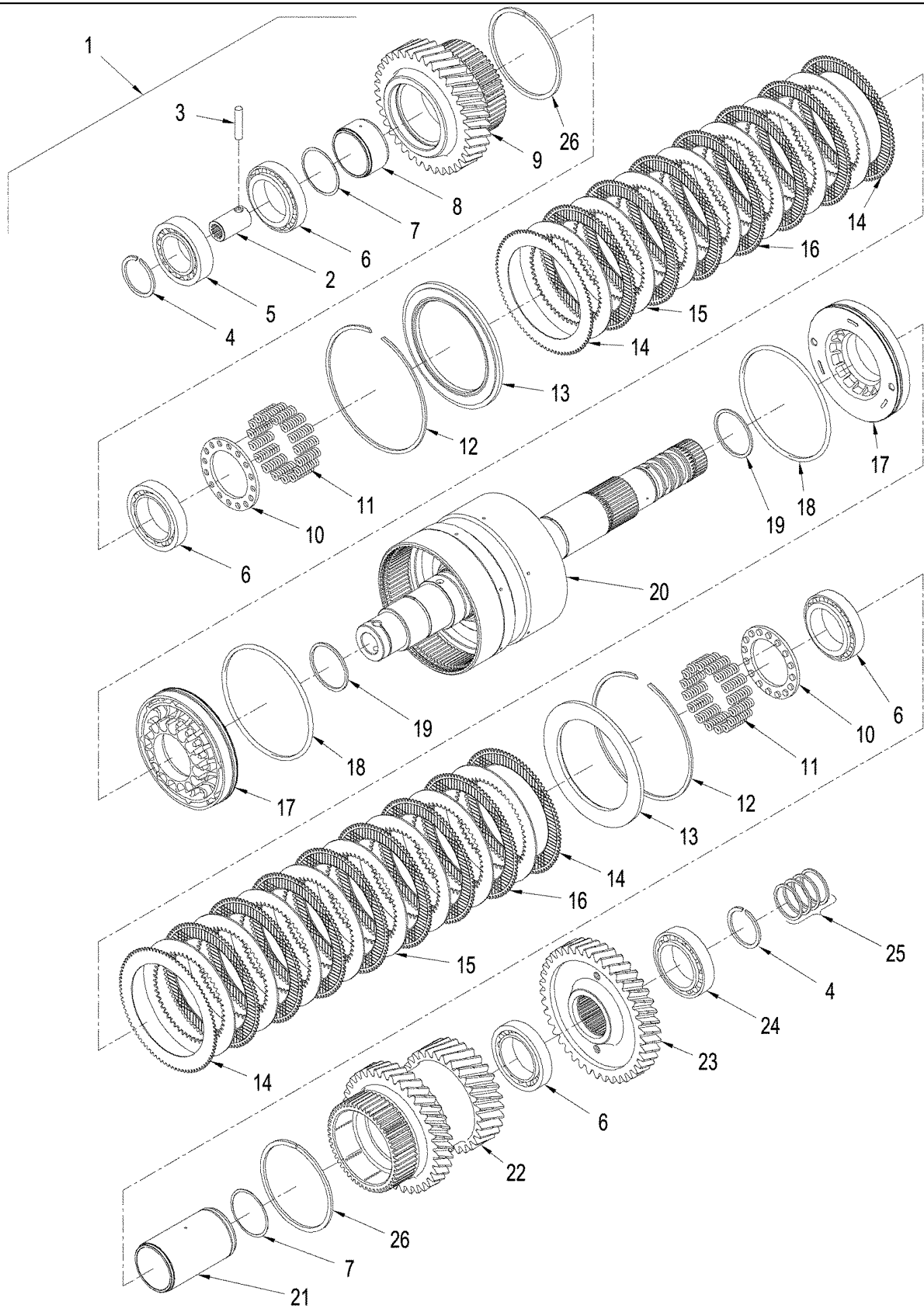


STX530 CASE IH 4WD TRACTOR (BTW Z6F100023 - Z6F105001)

06-53 POWER SHIFT TRANSMISSION - INPUT SHAFT ASSEMBLY

сылка	Номер детали	Кол-во	Описание
1	87350228	1	SHAFT, CLUTCH INPUT, Input, 8C, (8" Yoke) Inc. 2 - 25, Also See Figure 06-52, BSN Z6F105039
1	87552053	1	SHAFT, CLUTCH INPUT, Input, 8C, (8" Yoke) Inc. 2 - 25, Also See Figure 06-52, ASN Z6F105039
1	87350227	1	SHAFT, CLUTCH INPUT, Input, 8,5C, (8.5" Yoke) Inc. 2 - 25, Also See Figure 06-52, BSN Z6F105039
1	87552050	1	SHAFT, CLUTCH INPUT, Input, 8,5C, (8.5" Yoke) Inc. 2 - 25, Also See Figure 06-52, ASN Z6F105039
2	358918A1	1	DRUM, 1F, Clutch, BSN Z6F105039
2	87552054	1	DRUM, 1F, Clutch, ASN Z6F105039
3	800-2116	1	RING, SNAP, M16, Int, , BSN Z6F105039
4	S3220S00F	1	SHIM, 0,70 mm (0,028 in), BSN Z6F105039
5	S3210S00F	1	SPRING, , BSN Z6F105039
6	S3200S00F	1	VALVE, DRAIN, , BSN Z6F105039
7	87431393	1	RING, Seal, BSN Z6F105039
7	87431391	1	RING, Seal, ASN Z6F105039
8	358970A1	1	PISTON, Clutch, BSN Z6F105039
8	87552055	1	PISTON, Clutch, ASN Z6F105039
9	S5510S00F	1	RING,
10	358971A1	12	SPRING, Return, BSN Z6F105039
10	358971A1	20	SPRING, Return, ASN Z6F105039
11	358972A1	1	PLATE, Spring, BSN Z6F105039
11	87552056	1	SPRING, Plate, ASN Z6F105039
12	370555A1	2	DISC, CLUTCH, Faced
13	S4070S00F	AR	DISC, CLUTCH, If Used, 2,4 mm (0,094 in)
13	S4110S00F	AR	DISC, CLUTCH, If Used, 2,1 mm (0,083 in)
14	370556A1	4	DISC, CLUTCH, Faced
15	442803A1	1	PLATE, End
16	428108A1	1	SNAP RING,
17	359203A1	1	SPACER, 1F Bearing
18	359204A1	1	GEAR, 1F
19	87350261	1	GEAR, DRIVING,
20	359206A1	1	BEARING, ROLLER, TAPERED,
21	359207A1	1	CARRIER, Seal
22	S4150S00F	5	RING, Seal
23	352817A1	2	BEARING, Roller
24	352818A1	AR	SHIM, 0,15 mm
24	352819A1	AR	SHIM, 0,18 mm
24	352820A1	AR	SHIM, 0,20 mm
24	352821A1	AR	SHIM, 0,25 mm
24	352822A1	AR	SHIM, 0,30 mm
24	352823A1	AR	SHIM, 0,50 mm

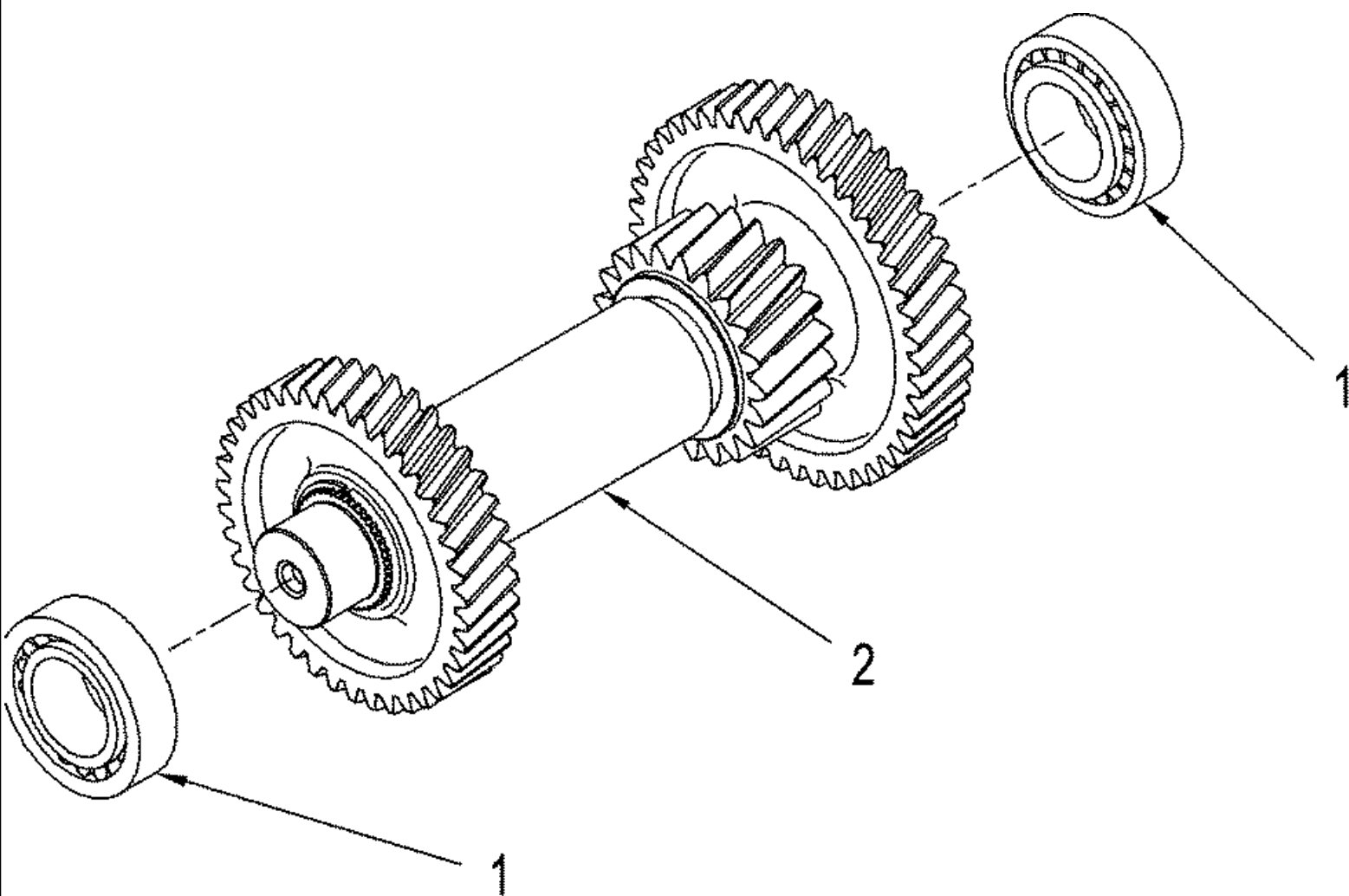
06-54 POWER SHIFT TRANSMISSION - SECOND SHAFT ASSEMBLY



STX530 CASE IH 4WD TRACTOR (BTW Z6F100023 - Z6F105001)

06-54 POWER SHIFT TRANSMISSION - SECOND SHAFT ASSEMBLY

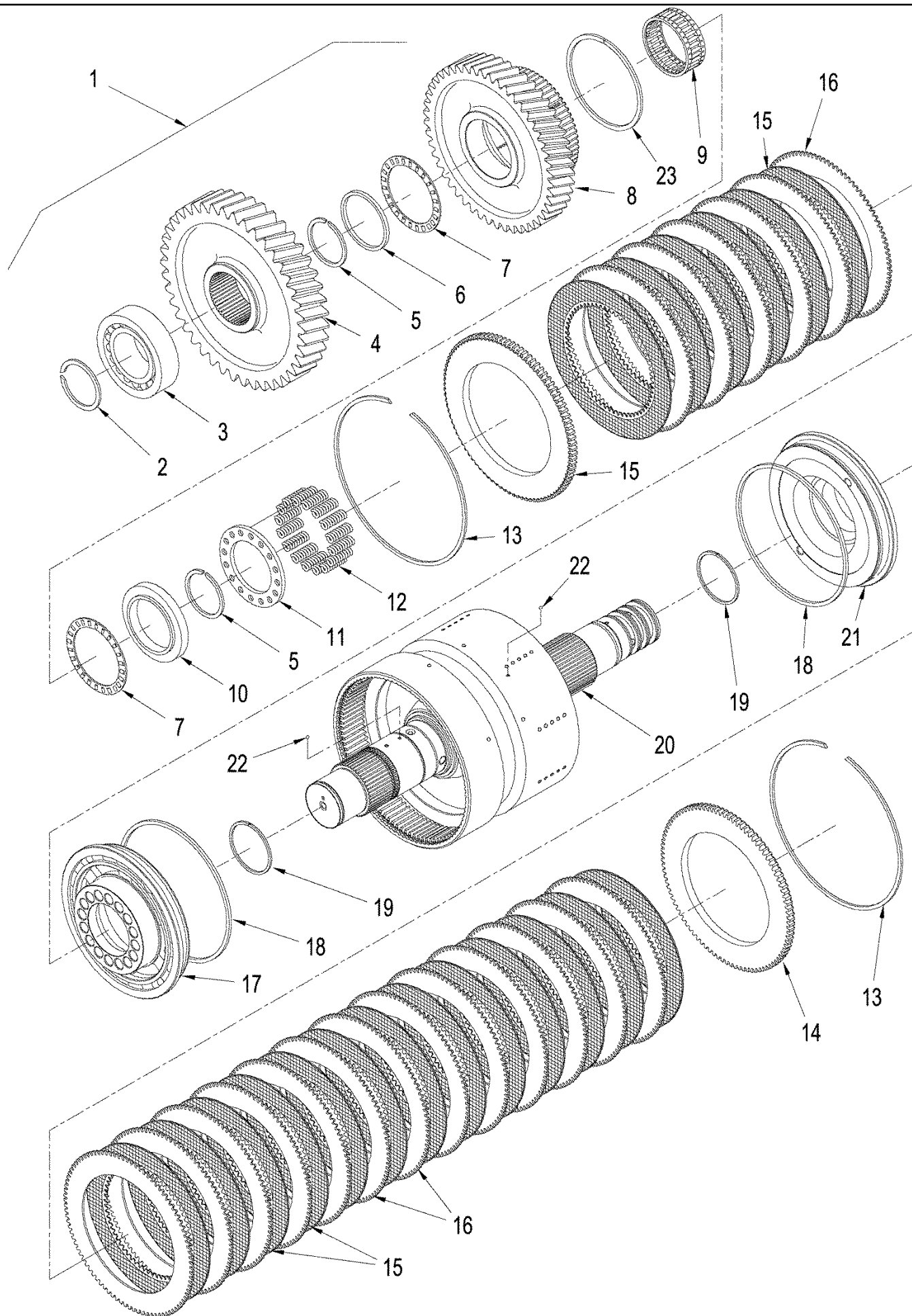
сылка	Номер детали	Кол-во	Описание
1	87350268	1	SHAFT, CLUTCH INPUT, Second, 8C, Inc. 2 - 26
1	87350264	1	SHAFT, CLUTCH INPUT, Second, 8,5C, Inc. 2 - 26
2	428673A1	1	COUPLING, SPLINED,
3	428674A1	1	DOWEL,
4	352378A1	AR	SNAP RING, 2,5 mm
4	352394A1	AR	SNAP RING, 2,6 mm
4	352397A1	AR	SNAP RING, 2,7 mm
4	352400A1	AR	SNAP RING, 2,8 mm
4	352815A1	AR	SNAP RING, 2,9 mm
4	352816A1	AR	SNAP RING, 3,0 mm
5	428183A1	1	BEARING,
6	352817A1	4	BEARING,
7	352818A1	AR	SHIM, 0,15 mm
7	352819A1	AR	SHIM, 0,18 mm
7	352820A1	AR	SHIM, 0,20 mm
7	352821A1	AR	SHIM, 0,25 mm
7	352822A1	AR	SHIM, 0,30 mm
7	352823A1	AR	SHIM, 0,50 mm
8	87350273	1	SPACER, 2R Bearing
9	87350277	1	GEAR, 2R
10	87350230	2	PLATE, Retaining Spring
11	362616A1	32	SPRING, Return
12	352829A1	2	SNAP RING,
13	87350231	2	PLATE, Clutch End, 8C
13	87431390	2	PLATE, Clutch End, 8,5C
14	352831A1	4	DISC, CLUTCH, Faced
15	S2080S00F	AR	DISC, CLUTCH, If Used, 2,4 mm (0.094 in)
15	S2090S00F	AR	DISC, CLUTCH, If Used, 2,1 mm (0.083 in)
16	352832A1	11-13	DISC, CLUTCH, Faced, 7"
17	87350236	2	PISTON, 7"
18	87431391	2	RING, Seal
19	S2610S00F	2	RING,
20	87350301	1	SHAFT, Drum, 8C
20	87350293	1	SHAFT, Drum, 8,5C
21	87350305	1	SPACER, Bearing
22	87350306	1	GEAR, 2M
23	87350307	1	GEAR, DRIVEN, Driven
24	359206A1	1	BEARING, ROLLER, TAPERED,
25	S3070S00F	4	RING, Seal
26	87431394	2	RING, Seal



STX530 CASE IH 4WD TRACTOR (BTW Z6F100023 - Z6F105001)

06-55 POWER SHIFT TRANSMISSION - THIRD SHAFT ASSEMBLY

сылка	Номер детали	Кол-во	Описание
1	87431397	2	BEARING, Roller
2	87350476	1	SHAFT, GEAR, Third

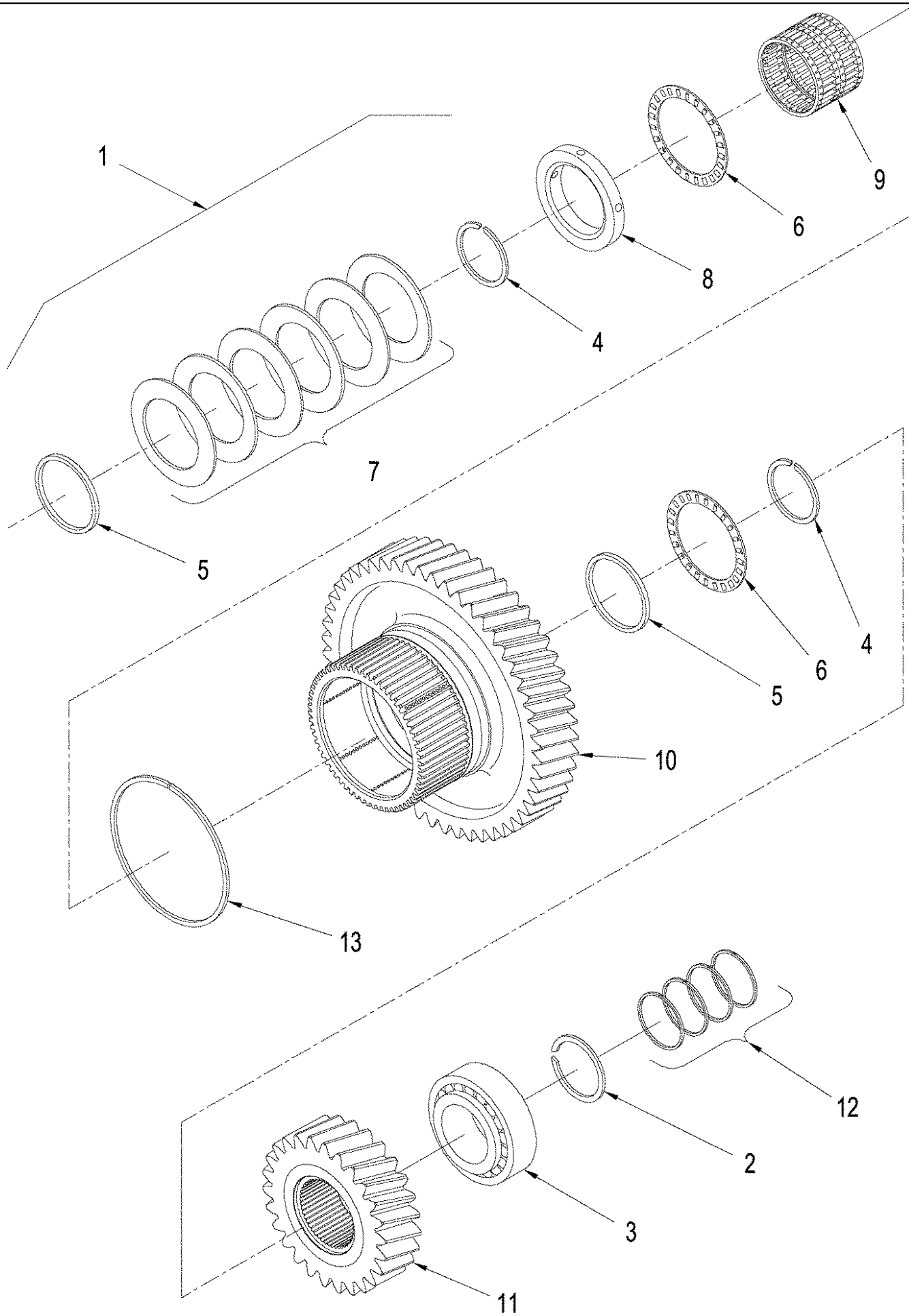


STX530 CASE IH 4WD TRACTOR (BTW Z6F100023 - Z6F105001)

06-56 POWER SHIFT TRANSMISSION - FOURTH SHAFT ASSEMBLY

сылка	Номер детали	Кол-во	Описание
1	87350312	1	SHAFT, CLUTCH INPUT, Fourth, 8C, Inc.2 - 23, Also See Figure: 06-57
1	87350309	1	SHAFT, CLUTCH INPUT, Fourth, 8,5C, Inc. 2 - 23, Also See Figure: 06-57
2	427674A1	AR	SHIM, 2,50 mm
2	427675A1	AR	SHIM, 2,60 mm
2	427676A1	AR	SHIM, 2,70 mm
2	427678A1	AR	SHIM, 2,80 mm
2	427679A1	AR	SHIM, 2,90 mm
2	427680A1	AR	SHIM, 3,00 mm
3	428675A1	2	BEARING, 4R Drive
4	87350315	1	GEAR, DRIVING, 4R
5	S5040S00F	4	RING, Retaining
6	362611A1	3	SPACER, Needle Bearing
7	87640391	4	BEARING, NEEDLE,
8	87350316	1	GEAR, DRIVEN,
9	87350319	1	BEARING, NEEDLE,
10	87350321	1	WASHER, THRUST,
11	362615A1	1	PLATE, Spring Retainer
12	362616A1	16	SPRING, Return
13	359235A1	2	SNAP RING,
14	87350325	2	PLATE, END, Clutch End, 8C
14	362617A1	2	PLATE, Clutch End, 8,5C
15	362618A1	19	DISC, CLUTCH,
16	362628A1	AR	DISC, CLUTCH, If Used, 2,4 mm (0.094 in)
16	362629A1	AR	DISC, CLUTCH, If Used, 2,6 mm (0.102 in)
17	364822A1	1	PISTON, 9" RR Clutch
18	87431400	2	RING, Seal
19	S4410S00F	2	RING, Seal
20	87350328	1	SHAFT, Drum, 8C
20	87350326	1	SHAFT, Drum, 8,5C
21	364825A1	1	PISTON, 9" FR Clutch
22	S14701960	2	BALL,
23	392073A1	2	SEALRING,

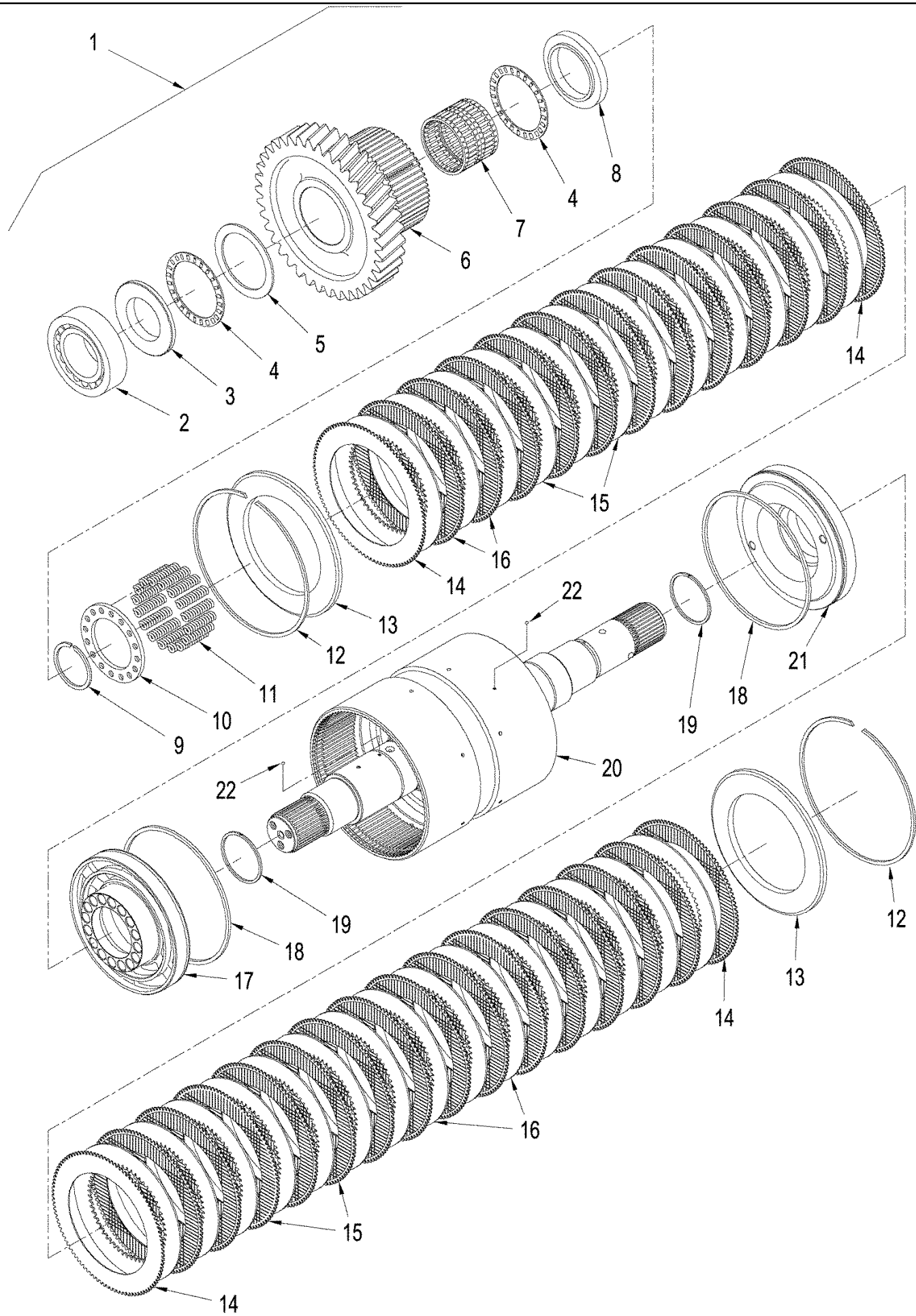
06-57 POWER SHIFT TRANSMISSION - FOURTH SHAFT ASSEMBLY



STX530 CASE IH 4WD TRACTOR (BTW Z6F100023 - Z6F105001)

06-57 POWER SHIFT TRANSMISSION - FOURTH SHAFT ASSEMBLY

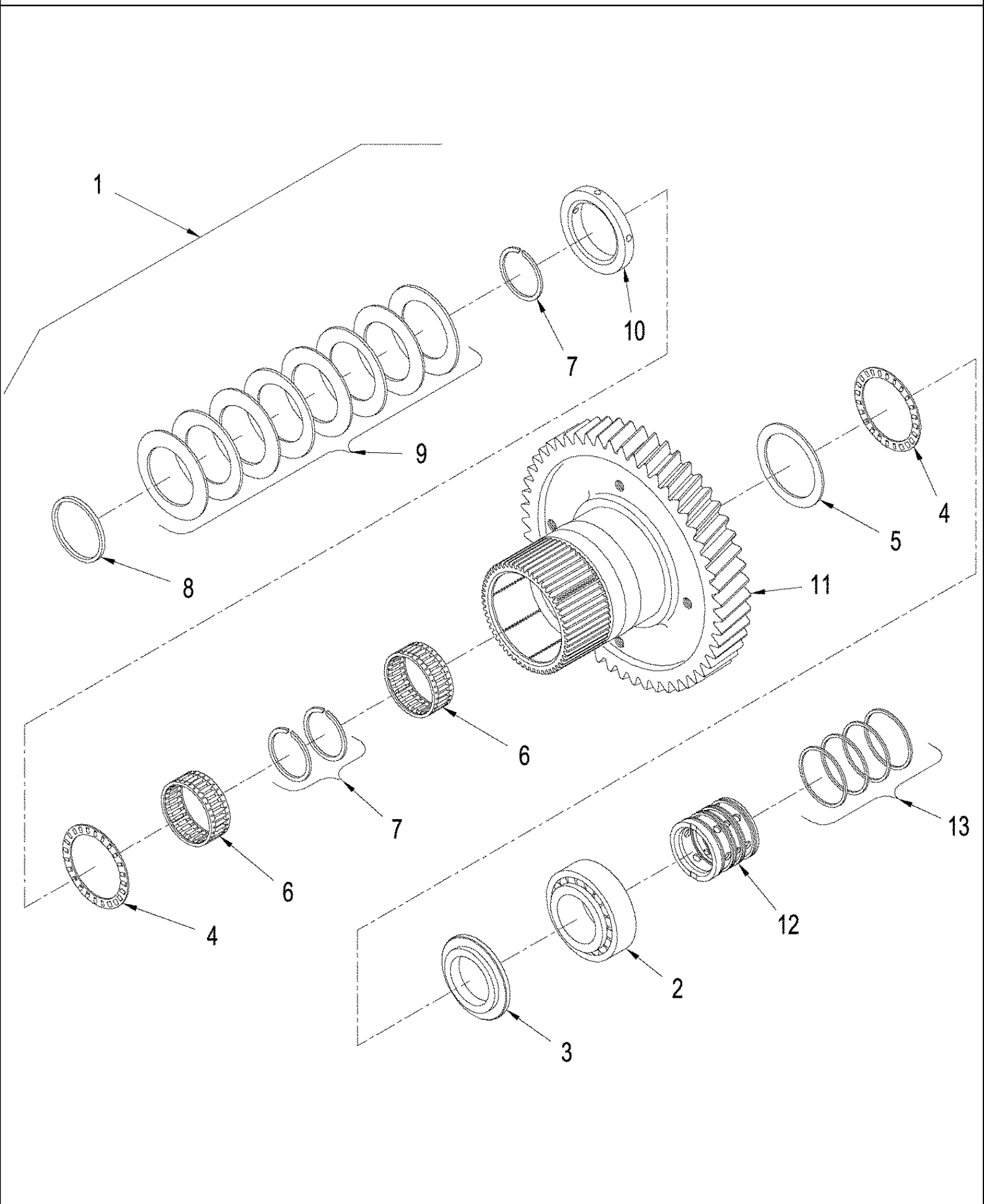
сылка	Номер детали	Кол-во	Описание
1	87350312	1	SHAFT, CLUTCH INPUT, Fourth, 8C, Inc. 2 - 13, Also See Figure: 06-56
1	87350309	1	SHAFT, CLUTCH INPUT, Fourth, 8,5C, Inc. 2 - 13, Also See Figure: 06-56
2	427674A1	AR	SHIM, 2,50 mm
2	427675A1	AR	SHIM, 2,60 mm
2	427676A1	AR	SHIM, 2,70 mm
2	427678A1	AR	SHIM, 2,80 mm
2	427679A1	AR	SHIM, 2,90 mm
2	427680A1	AR	SHIM, 3,00 mm
3	428675A1	2	BEARING, Roller
4	S5040S00F	4	RING, Retaining
5	362611A1	3	SPACER, Needle Bearing
6	87640391	4	BEARING, NEEDLE,
7	364826A1	6	PLATE, Spring
8	87350331	1	WASHER, THRUST,
9	S5070S00F	2	BEARING, NEEDLE,
10	87350334	1	GEAR, DRIVEN, 4F
11	87350339	1	GEAR, DRIVING, 4F
12	87431401	4	RING, Seal
13	392073A1	1	SEALRING,



STX530 CASE IH 4WD TRACTOR (BTW Z6F100023 - Z6F105001)

06-58 POWER SHIFT TRANSMISSION - FIFTH SHAFT ASSEMBLY

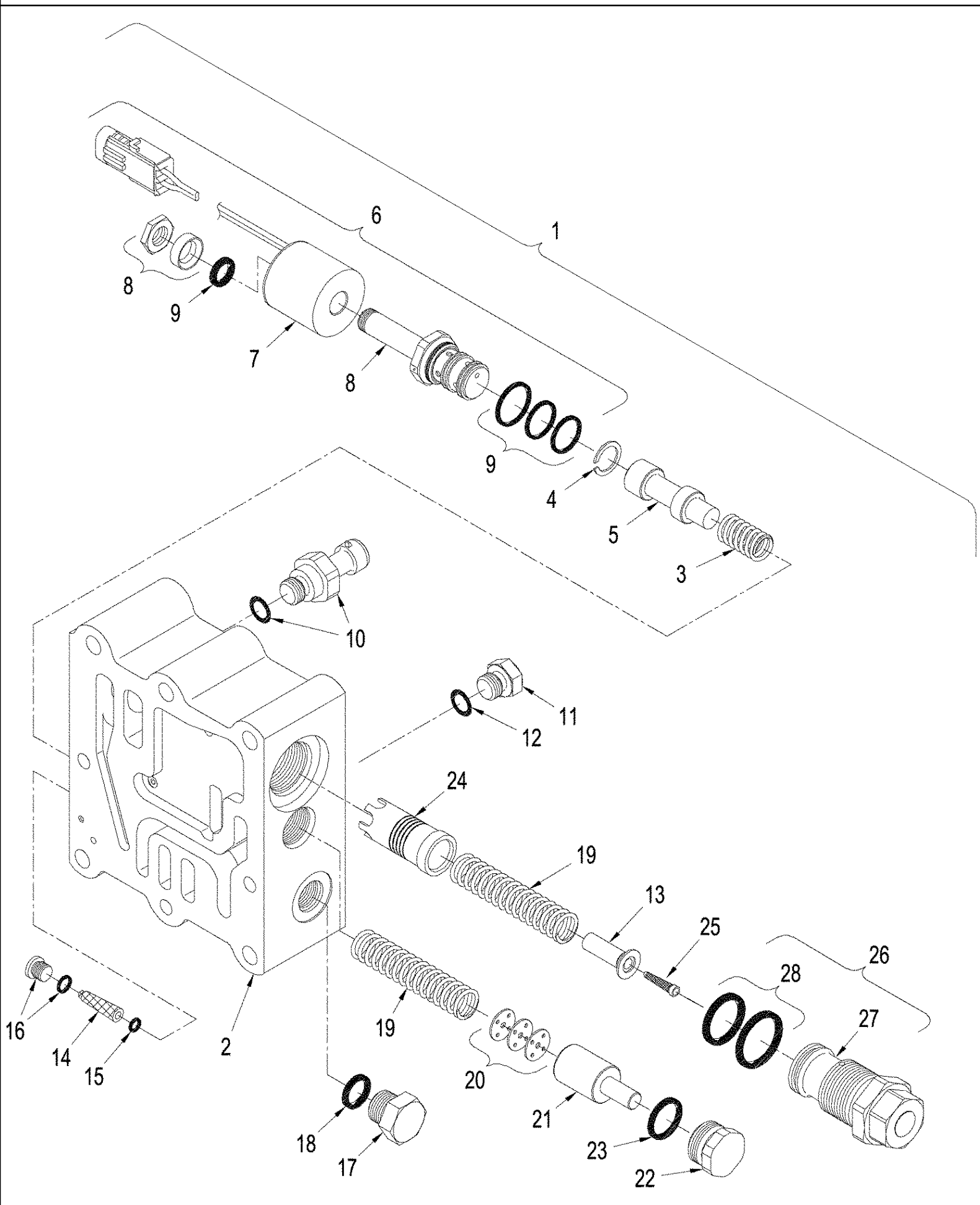
сылка	Номер детали	Кол-во	Описание
1	87350349	1	SHAFT, CLUTCH INPUT, Fifth, 8C, Inc. 2 - 22, Also See Figure: 06-59
1	87350342	1	SHAFT, CLUTCH INPUT, Fifth, 8,5C, Inc. 2 - 22, Also See Figure: 06-59
2	428675A1	2	BEARING, Taper
3	364831A1	2	WASHER, THRUST,
4	87640391	4	BEARING, NEEDLE,
5	358908A1	2	WASHER, THRUST,
6	87350355	1	GEAR, DRIVEN, 5R
7	S5070S00F	4	BEARING, NEEDLE,
8	87350321	1	WASHER, THRUST,
9	S5040S00F	4	RING, Retaining
10	362615A1	1	PLATE, Spring Retaining
11	364833A1	16	SPRING, Return
12	428108A1	2	SNAP RING,
13	87350360	2	PLATE, 8C
13	370554A1	2	DISC, CLUTCH, 8,5C
14	370555A1	4	DISC, CLUTCH, Faced
15	S4070S00F	AR	DISC, CLUTCH, If Used, 2,4 mm (0.094 in)
15	S4110S00F	AR	DISC, CLUTCH, If Used, 2,1 mm (0.083 in)
16	370556A1	25	DISC, CLUTCH, Faced
17	370558A1	1	PISTON, 8" RR Clutch
18	87431400	2	RING, Seal
19	S4410S00F	2	RING, Seal
20	87350368	1	SHAFT, Drum, 8C
20	87350363	1	SHAFT, Drum, 8,5C
21	370562A1	1	PISTON, 8" FR Clutch
22	S14701960	2	BALL,



STX530 CASE IH 4WD TRACTOR (BTW Z6F100023 - Z6F105001)

06-59 POWER SHIFT TRANSMISSION - FIFTH SHAFT ASSEMBLY

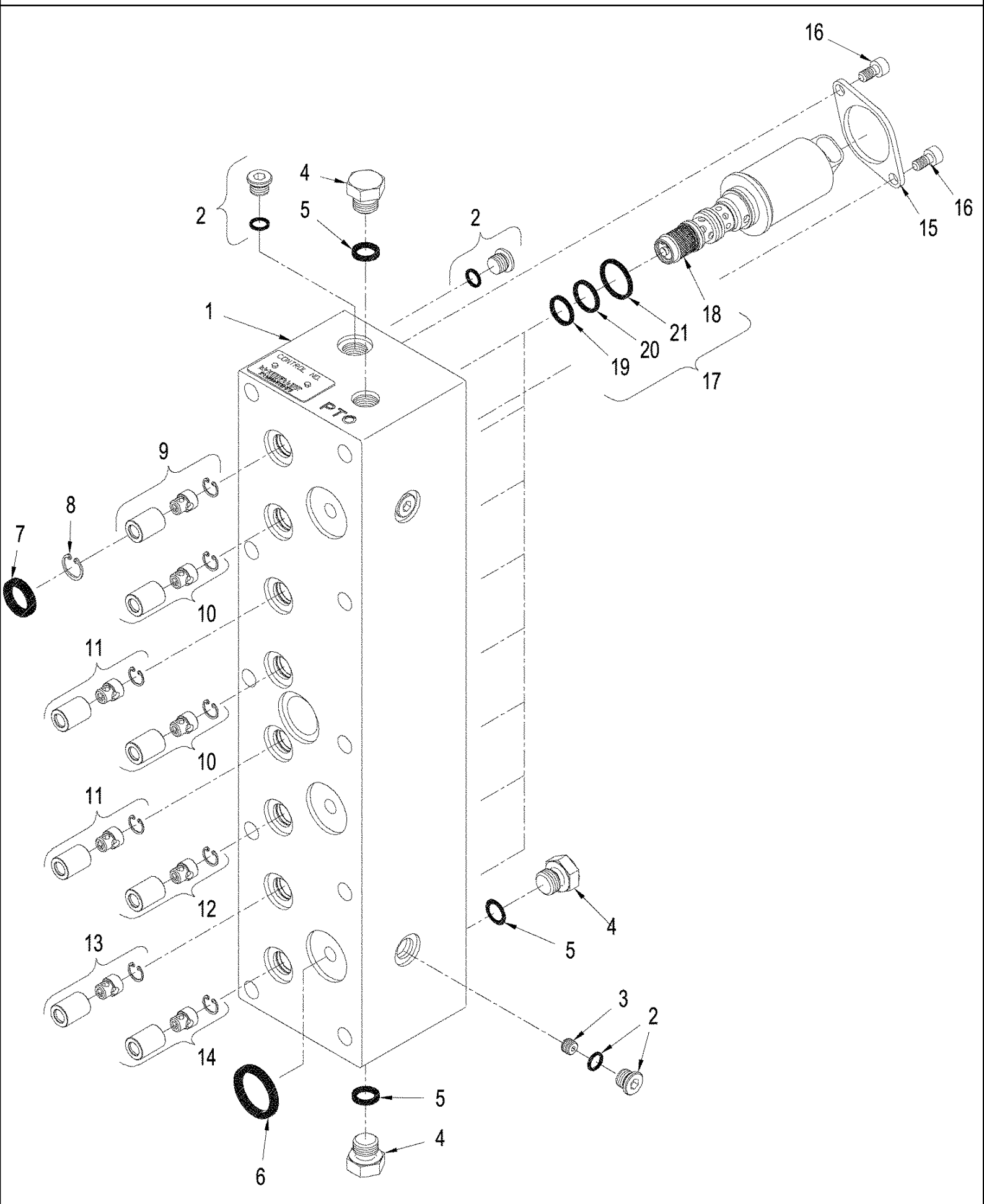
сылка	Номер детали	Кол-во	Описание
1	87350349	1	SHAFT, CLUTCH INPUT, Fifth, 8C, Inc. 2 - 13, Also See Figure: 06-58
1	87350342	1	SHAFT, CLUTCH INPUT, Fifth, 8,5C, Inc. 2 - 13, Also See Figure: 06-58
2	428675A1	1	BEARING, Roller
3	364831A1	1	WASHER, THRUST,
4	87640391	2	BEARING, NEEDLE,
5	358908A1	1	WASHER, THRUST,
6	S5070S00F	1	BEARING, NEEDLE,
7	S5040S00F	4	RING, Retaining
8	362611A1	1	SPACER, Needle Bearing
9	364826A1	8	PLATE, Spring
10	87350331	1	WASHER, THRUST,
11	87350374	1	GEAR, DRIVEN, 5F
12	370568A1	1	CARRIER, Piston
13	S4150S00F	4	RING, Seal



STX530 CASE IH 4WD TRACTOR (BTW Z6F100023 - Z6F105001)

06-60 POWER SHIFT TRANSMISSION - REGULATOR VALVE ASSEMBLY

сылка	Номер детали	Кол-во	Описание
1	87350388	1	VALVE, Regulator, Inc. 2 - 26
2	NSS	1	NOT SERVICED SEPARATELY, Body, Valve
3	370596A1	1	SPRING,
4	428679A1	1	SNAP RING,
5	370597A1	1	SPOOL, M/C Lube
6	371737A1	1	VALVE, SOLENOID, Three Way, Inc. 7 - 9
7	371739A1	2	COIL, Three Way Solenoid
8	370600A1	1	VALVE, SOLENOID, Pilot Assy.
9	371738A1	1	KIT, O-Ring
10	404450A1	1	SENSOR, Pressure
11	220064A1	1	PLUG, M14 x 1.5, ORB, Inc. 12
12	637-63113	1	O-RING, CI 6, 11.3MM ID x 2.2 Thk,
13	87350417	1	COVER, FILTER,
14	87409404	1	FILTER, Conical
15	428676A1	1	O-RING,
16	428678A1	1	PLUG, Inc. O-Ring
17	220066A1	1	PLUG, M18 x 1.5, ORB, Inc. 18
18	637-63153	1	O-RING, CI 6, 15.3MM ID x 2.2 Thk,
19	398443A1	2	SPRING,
20	398445A1	AR	SHIM,
21	398444A1	1	VALVE, Spool
22	87431407	1	PLUG, Inc. 23
23	87431408	1	O-RING,
24	87350419	1	SPOOL, Main Pressure
25	87362229	1	SCREEN, FILTER,
26	87350395	1	VALVE, PILOT, Assy., Inc. 27 - 28
27	NSS	1	NOT SERVICED SEPARATELY, Valve, Pilot
28	87350407	1	KIT, O-Ring

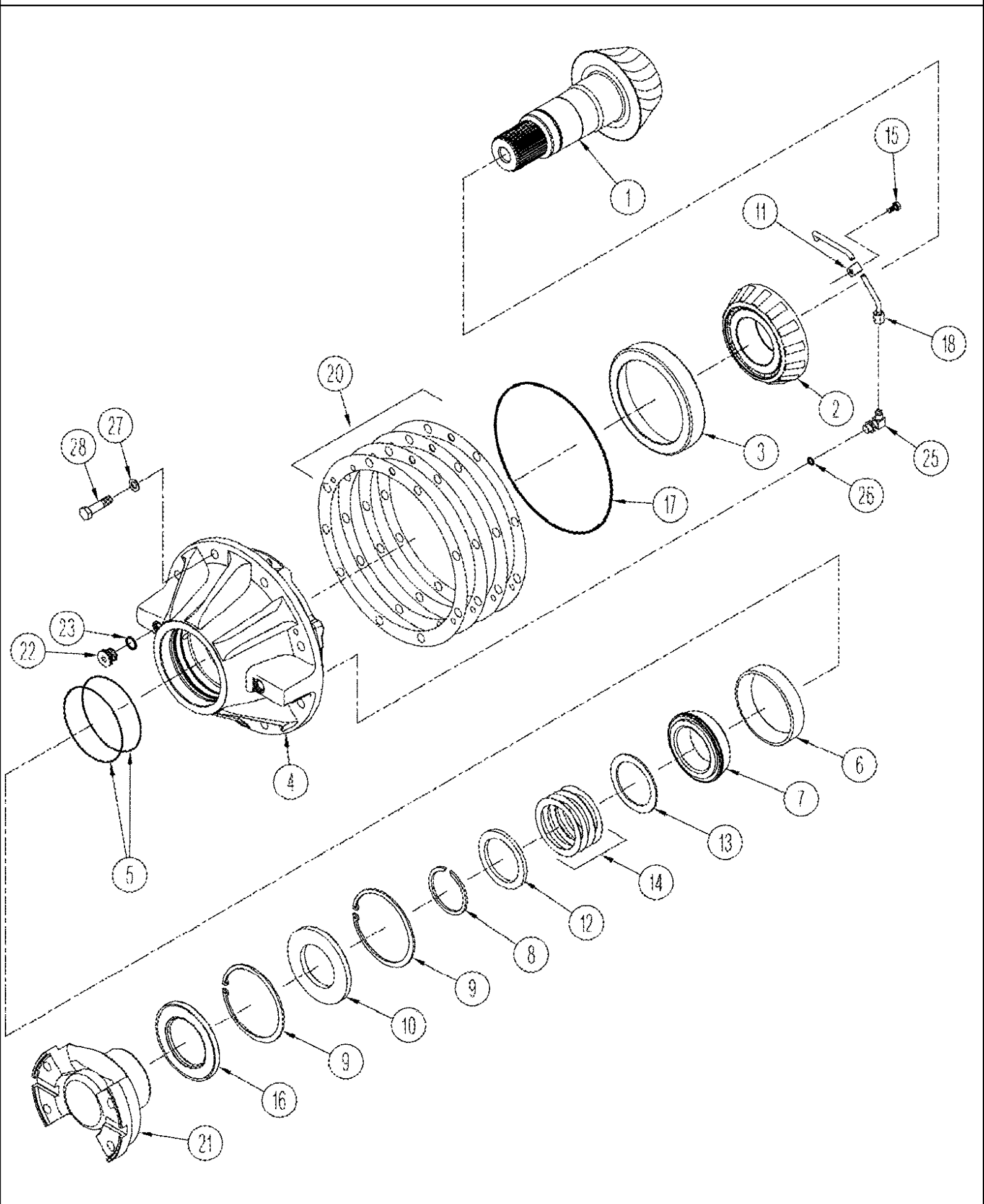


STX530 CASE IH 4WD TRACTOR (BTW Z6F100023 - Z6F105001)

06-61 POWER SHIFT TRANSMISSION - RANGE SELECTOR VALVE

сылка	Номер детали	Кол-во	Описание
	87350421	1	VALVE, Range Selector, Inc. 1 - 17
1	NSS	1	NOT SERVICED SEPARATELY, Body, Valve
2	87350425	7	PLUG, STOP,
3	87350428	2	ORIFICE,
4	220064A1	10	PLUG, M14 x 1.5, ORB, Inc. 5
5	637-63113	1	O-RING, CI 6, 11.3MM ID x 2.2 Thk,
6	238-5214	4	O-RING, -214, 70 Duro, .984" ID x .139" Thk,
7	238-5208	8	O-RING, -208, 70 Duro, .609" ID x .139" Thk,
8	100-2156	8	RING, SNAP, 0.562", Int, #56,
9	87350429	1	VALVE, CHECK, 3,45 mm
10	87350431	2	VALVE, CHECK, 2,51 mm
11	87350432	2	VALVE, CHECK, 2,36 mm
12	87350433	1	VALVE, CHECK, 2,82 mm
13	87350434	1	VALVE, CHECK, 5,54 mm
14	87350435	1	VALVE, CHECK, 4,80 mm
15	87350463	8	PLATE, Valve Retainer
16	864-6012	16	SCREW, Hex Soc Hd, M6 x 12, 8.8,
17	87357396	8	VALVE, SOLENOID, PWM, Inc. 18 - 21
18	NSS	1	NOT SERVICED SEPARATELY, Body, Valve
19	87014033	1	O-RING, -019, CI 7, .801" ID x .070" Thk,
20	238-7016	1	O-RING, -016, CI 7, .614" ID x .070" Thk,
21	238-7015	1	O-RING, -015, CI 7, .551" ID x .070" Thk,

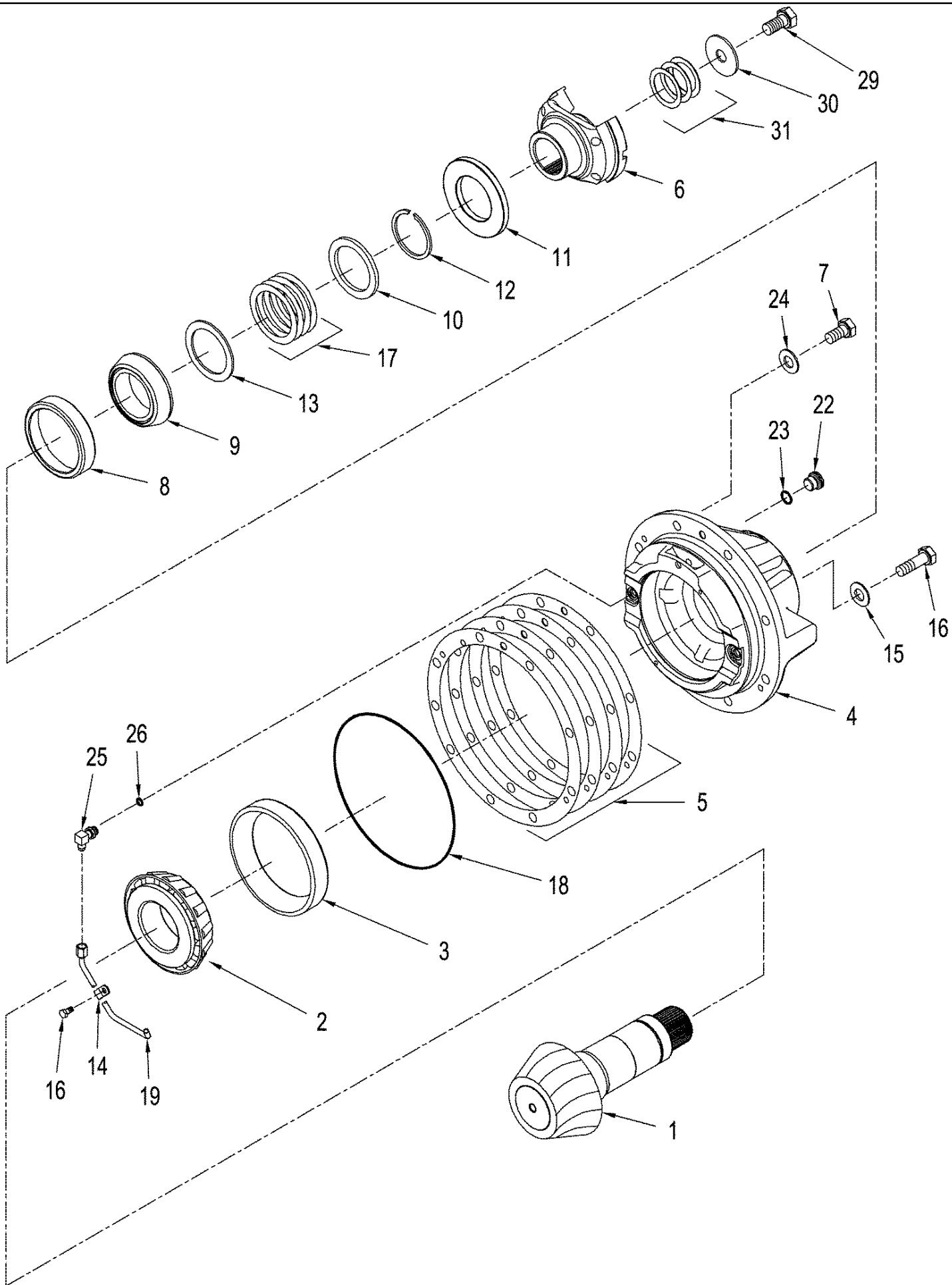
06-70 500 SERIES AXLE ASSEMBLY - FRONT COVER



STX530 CASE IH 4WD TRACTOR (BTW Z6F100023 - Z6F105001)

06-70 500 SERIES AXLE ASSEMBLY - FRONT COVER

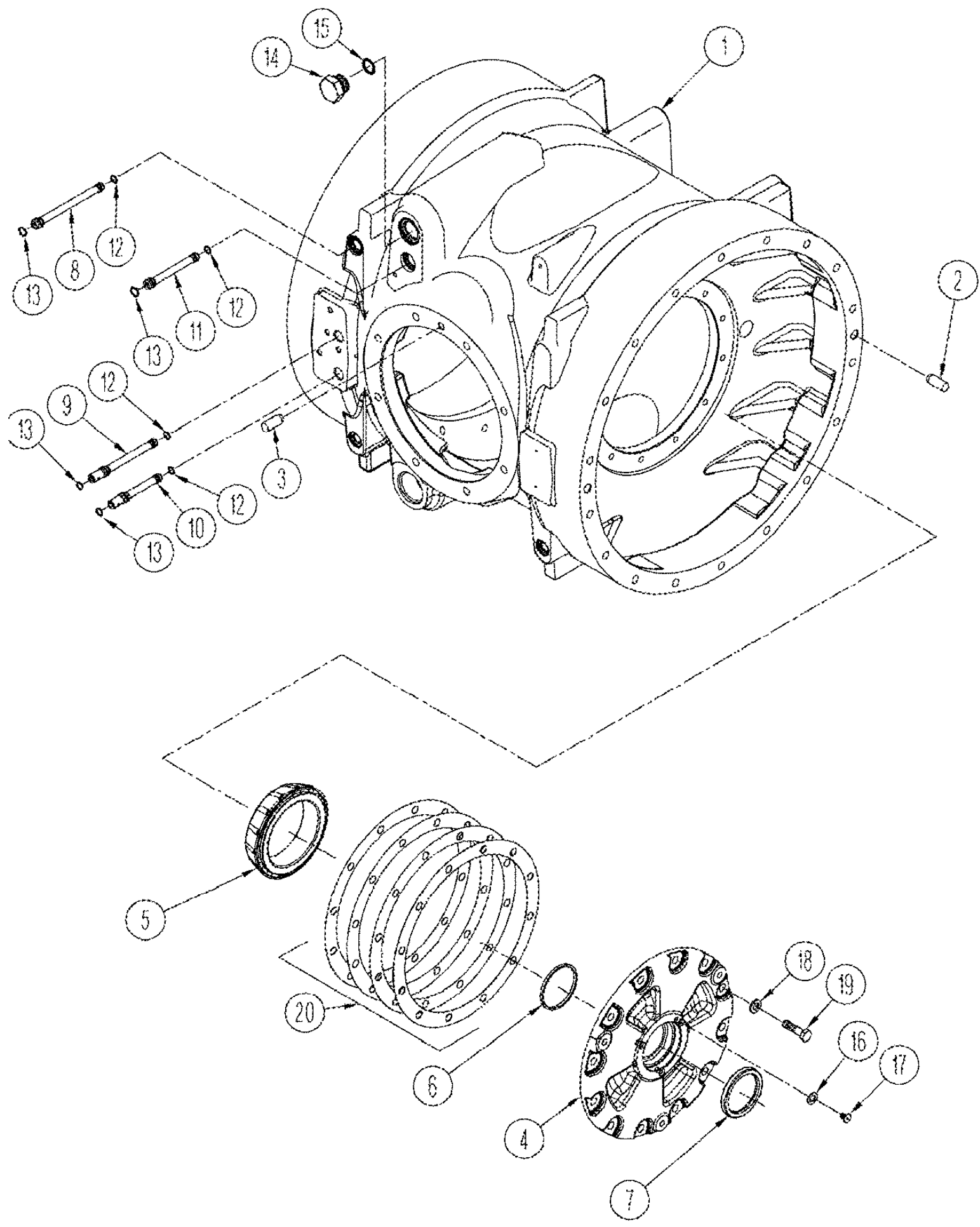
сылка	Номер детали	Кол-во	Описание
	352211A1	1	GEAR SET, Pinion Shaft and Gears, Front Axle Cover, Inc. 1, See Figure 06-74, 06-75
1	NSS	1	NOT SERVICED SEPARATELY, Shaft, Pinion
2	248118A1	1	BEARING, CONE,
3	248114A1	1	BEARING SET,
4	328421A5	1	COVER, Front Axle
5	238-5122	1	O-RING, -122, 70 Duro, 1.112" ID x .103" Thk,
6	191440A1	1	BEARING, CUP,
7	67190R91	1	BEARING, CONE,
8	229515A1	1	SNAP RING, M4
9	100-21550	2	RING, SNAP, 5.50", Int, #550,
10	87432424	1	SEAL, Pinion Input Shaft
11	515-2279	1	CLAMP, 5/16", Insul, 5/16" Bolt, M7,9
12	228968A2	1	SPACER, Thick
13	191713A1	1	SPACER, Thin
14	191709A1	AR	SHIM, 0,076 mm
14	191711A1	AR	SHIM, 0,101 mm
14	191712A1	AR	SHIM, 0,130 mm
14	220785A1	AR	SHIM, 0,508 mm
15	628-8016	1	BOLT, Hex, M8 x 16, 10.9, Full Thd,
16	284186A1	1	SEAL,
17	238-5276	1	O-RING, -276, 70 Duro, 10.984" ID x .139" Thk,
18	284180A1	1	PIPE, Lubrication
19	237-6006	2	O-RING, 6-1, 90 Duro, .468" ID x .078" Thk, Not Illustrated
20	279714A4	AR	SHIM, 0,076 mm
20	279715A4	AR	SHIM, 0,101 mm
20	279716A4	AR	SHIM, 0,130 mm
20	279717A4	AR	SHIM, 0,508 mm
21	284184A1	1	YOKE, 8,5 C
22	221578A1	1	PLUG, Hex Soc, M18 x 1.5, ORB, Includes 23
23	637-63153	1	O-RING, CI 6, 15.3MM ID x 2.2 Thk,
24	9625178	1	PLUG, Hex Soc, 9/16"-18 ORB, Not Illustrated, STX Wheel Tractor
25	86985636	1	ELBOW, Orificed, 5/16 x 3/8, Inc. 26
26	237-6006	1	O-RING, 6-1, 90 Duro, .468" ID x .078" Thk,
27	896-12016	8	WASHER, M17.5 x 30 x 4, HT,
28	828-16055	8	BOLT, Hex, M16 x 55, 10.9, Full Thd,
29	221578A1	1	PLUG, Hex Soc, M18 x 1.5, ORB, Not Illustrated, Inc. 30, STX Wheel Tractor
30	637-63153	1	O-RING, CI 6, 15.3MM ID x 2.2 Thk,



STX530 CASE IH 4WD TRACTOR (BTW Z6F100023 - Z6F105001)

06-71 500 SERIES AXLE ASSEMBLY - REAR COVER

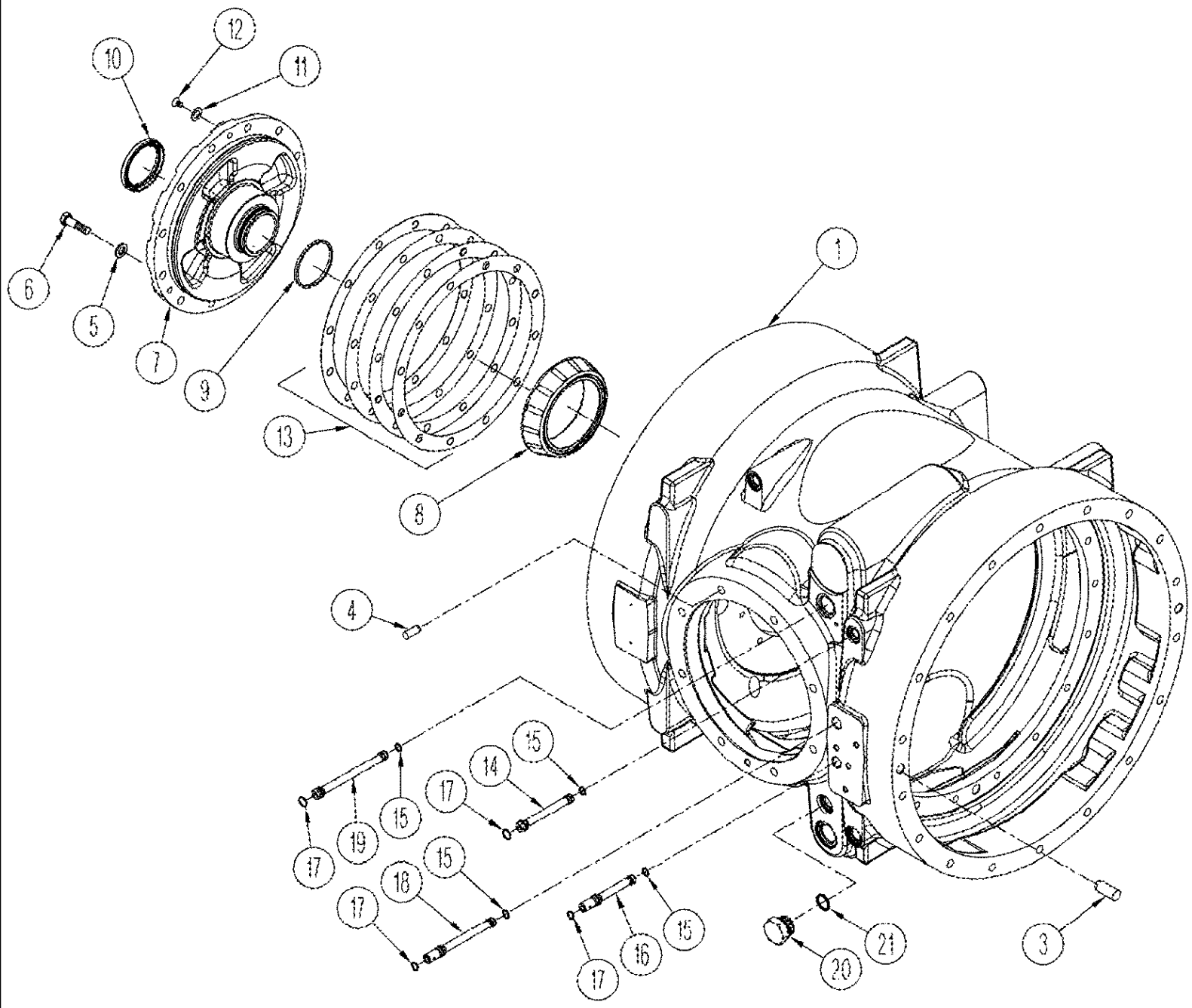
сылка	Номер детали	Кол-во	Описание
	87522604	1	GEAR SET, Pinion Shaft and Gears, Rear Axle Cover, Inc. 1, See Figure 06-74 & 06-75
1	NSS	1	NOT SERVICED SEPARATELY, Shaft, Pinion
2	248118A1	1	BEARING, CONE,
3	248114A1	1	BEARING SET,
4	328422A5	1	COVER, Rear Axle
5	279714A4	AR	SHIM, 0,076 mm
5	279715A4	AR	SHIM, 0,101 mm
5	279716A4	AR	SHIM, 0,130 mm
5	279717A4	AR	SHIM, 0,508 mm
6	284185A1	1	YOKE, 8,5 C
7	828-16055	8	BOLT, Hex, M16 x 55, 10.9, Full Thd,
8	191440A1	1	BEARING, CUP,
9	67190R91	1	BEARING, CONE,
10	228968A2	1	SPACER, Thick
11	87432424	1	SEAL,
12	229515A1	1	SNAP RING, M4
13	191713A1	1	SPACER, Thin
14	515-2279	1	CLAMP, 5/16", Insul, 5/16" Bolt,
15	95-31038	3	WASHER, 5/16",
16	628-8016	4	BOLT, Hex, M8 x 16, 10.9, Full Thd,
17	191709A1	1	SHIM, 0,076 mm
17	191711A1	1	SHIM, 0,101 mm
17	191712A1	1	SHIM, 0.130 mm
17	220785A1	1	SHIM, 0,508 mm
18	238-5276	1	O-RING, -276, 70 Duro, 10.984" ID x .139" Thk,
19	313377A1	1	PIPE, Lubrication
20	221578A1	1	PLUG, Hex Soc, M18 x 1.5, ORB, Not Illustrated, Inc. 21, STX Wheel Tractor
21	637-63153	1	O-RING, CI 6, 15.3MM ID x 2.2 Thk,
22	221573A1	1	PLUG, Hex Soc, M12 x 1.5, ORB, Inc. 23, QUADTRAC Tractor
23	637-63093	1	O-RING, CI 6, 9.3MM ID x 2.2 Thk,
24	896-12016	8	WASHER, M17.5 x 30 x 4, HT,
25	86985636	1	ELBOW, Orificed, 5/16 x 3/8, Inc. 26
27	9625178	1	PLUG, Hex Soc, 9/16"-18 ORB, Not Illustrated, Incl. 28, STX Wheel Tractor
28	238-6012	1	O-RING, -012, 90 Duro, .364" ID x .070" Thk,
29	828-24110	1	BOLT, Hex, M24 x 110, 10.9,
30	228967A2	1	WASHER,
31	178545A1	AR	SHIM, 0,076 mm
31	178546A1	AR	SHIM, 0,101 mm
31	178547A1	AR	SHIM, 0,130 mm
31	220779A1	AR	SHIM, 0,508 mm
26	237-6006	1	O-RING, 6-1, 90 Duro, .468" ID x .078" Thk,



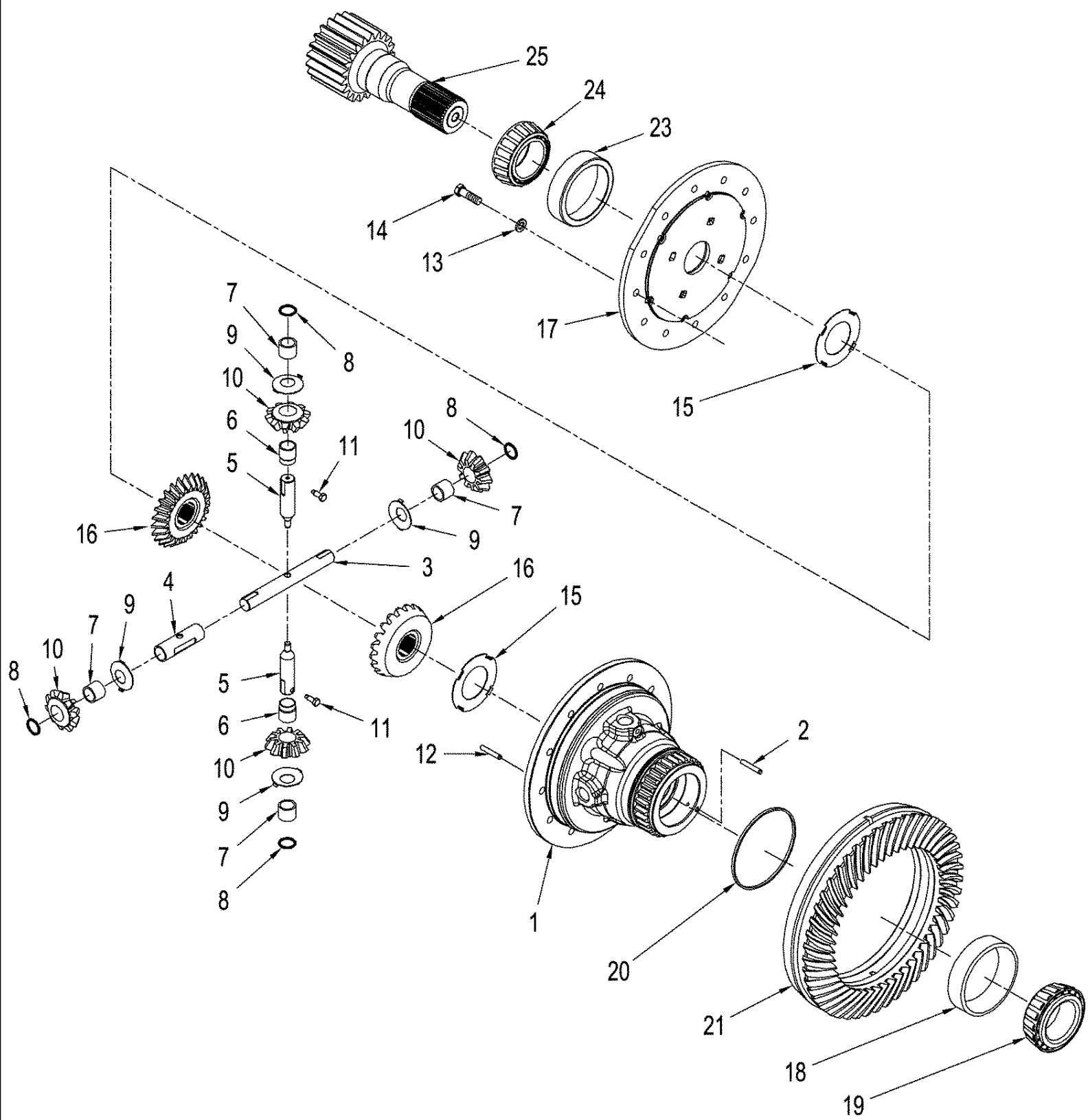
STX530 CASE IH 4WD TRACTOR (BTW Z6F100023 - Z6F105001)

06-72 500 SERIES AXLE ASSEMBLY - CENTER AND LEFT-HAND CARRIER, WHEEL TRACTOR

сылка	Номер детали	Кол-во	Описание
	87438232	1	HOUSING, AXLE, Assy., Center, Inc. 1 - 3
1	NSS	1	NOT SERVICED SEPARATELY, Housing, Center
2	837-16040	6	DOWEL, M16 x 40,
3	837-12025	1	DOWEL, M12 x 25,
4	369765A1	1	CARRIER, BEARING,
5	253932A1	1	BEARING, CONE,
6	139060C2	1	RING,
7	139059C1	1	SEAL,
8	284188A1	1	TUBE, Jumper, Service Brake
9	86985628	1	TUBE, Jumper. Lubrication
10	86985628	1	TUBE, Jumper, Lubrication
11	298567A1	1	TUBE, Jumper, Park Brake
12	238-6013	4	O-RING, -012, 90 Duro, .364" ID x .070" Thk,
13	238-6015	4	O-RING, -015, 90 Duro, .551" ID x .070" Thk,
14	220069A1	1	PLUG, M33 x 2, ORB, M33 orb x 2, Inc. 15
15	637-64296	1	O-RING, CI 6, 29.6MM ID x 2.9 Thk,
16	95-81100	3	WASHER, 33/64" x 7/8" x .049",
17	843-1812	3	SCREW, Hex Flat Hd, M8 x 12, 4.8,
18	896-12012	12	WASHER, M12 x 24.5 x 3, HT,
19	828-12045	12	BOLT, Hex, M12 x 45, 10.9, Full Thd,
20	255121A1	AR	SHIM, 0,076 mm
20	255122A1	AR	SHIM, 0,101 mm
20	255123A1	AR	SHIM, 0,130 mm
20	255124A1	AR	SHIM, 0,508 mm



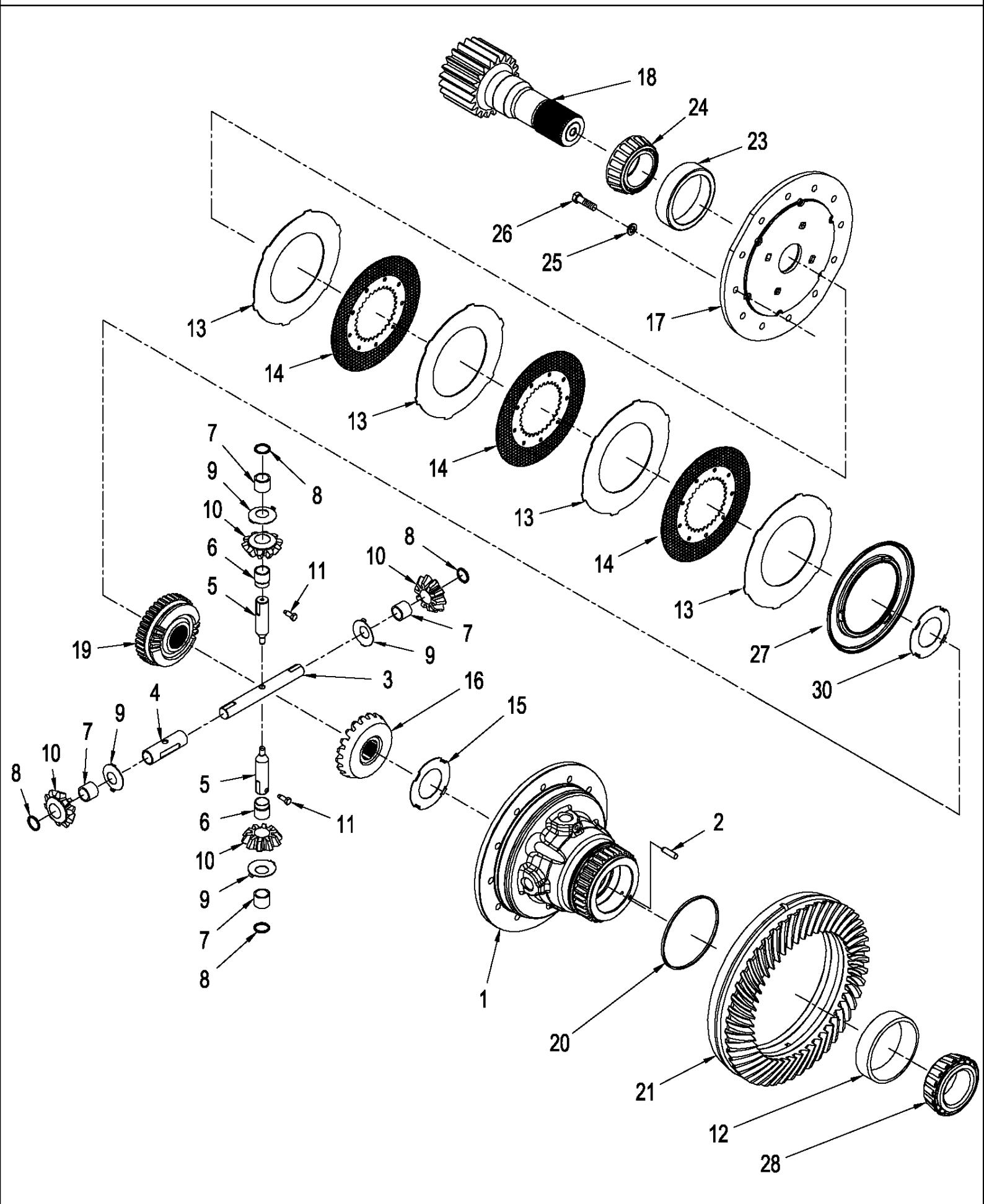
сылка	Номер детали	Кол-во	Описание
	87438235	1	HOUSING, AXLE, Center, Front Axle, Inc. 1 - 4
	87438234	1	HOUSING, AXLE, Center, Rear Axle, Not Illustrated, Inc. 1 - 4
1	NSS	1	NOT SERVICED SEPARATELY, Housing, Axle
3	837-16040	6	DOWEL, M16 x 40,
4	837-12025	1	DOWEL, M12 x 25,
5	896-12012	12	WASHER, M12 x 24.5 x 3, HT,
6	628-12035	12	SCREW, Hex, M12 x 35, 10.9, Full Thd,
7	369765A1	1	CARRIER, BEARING, Left-Hand
8	253932A1	1	BEARING, CONE,
9	139060C2	1	RING,
10	139059C1	1	SEAL,
11	95-81100	3	WASHER, 33/64" x 7/8" x .049",
12	843-1812	3	SCREW, Hex Flat Hd, M8 x 12, 4.8,
13	255121A1	AR	SHIM, 0,076 mm
13	255122A1	AR	SHIM, 0,101 mm
13	255123A1	AR	SHIM, 0,130 mm
13	255124A1	AR	SHIM, 0,508 mm
14	284188A1	1	TUBE, Jumper, Service Brake
15	238-6013	4	O-RING, -012, 90 Duro, .364" ID x .070" Thk,
16	86985628	1	TUBE, Jumper, Lubrication
17	238-6015	4	O-RING, -015, 90 Duro, .551" ID x .070" Thk,
18	86985628	1	TUBE, Jumper, Lubrication
19	298567A1	1	TUBE, Jumper, Park Brake
20	220069A1	1	PLUG, M33 x 2, ORB, Inc. 21
21	637-64296	1	O-RING, CI 6, 29.6MM ID x 2.9 Thk,



STX530 CASE IH 4WD TRACTOR (BTW Z6F100023 - Z6F105001)

06-74 500 SERIES AXLE ASSEMBLY - DIFFERENTIAL, WITHOUT DIFFERENTIAL LOCKS

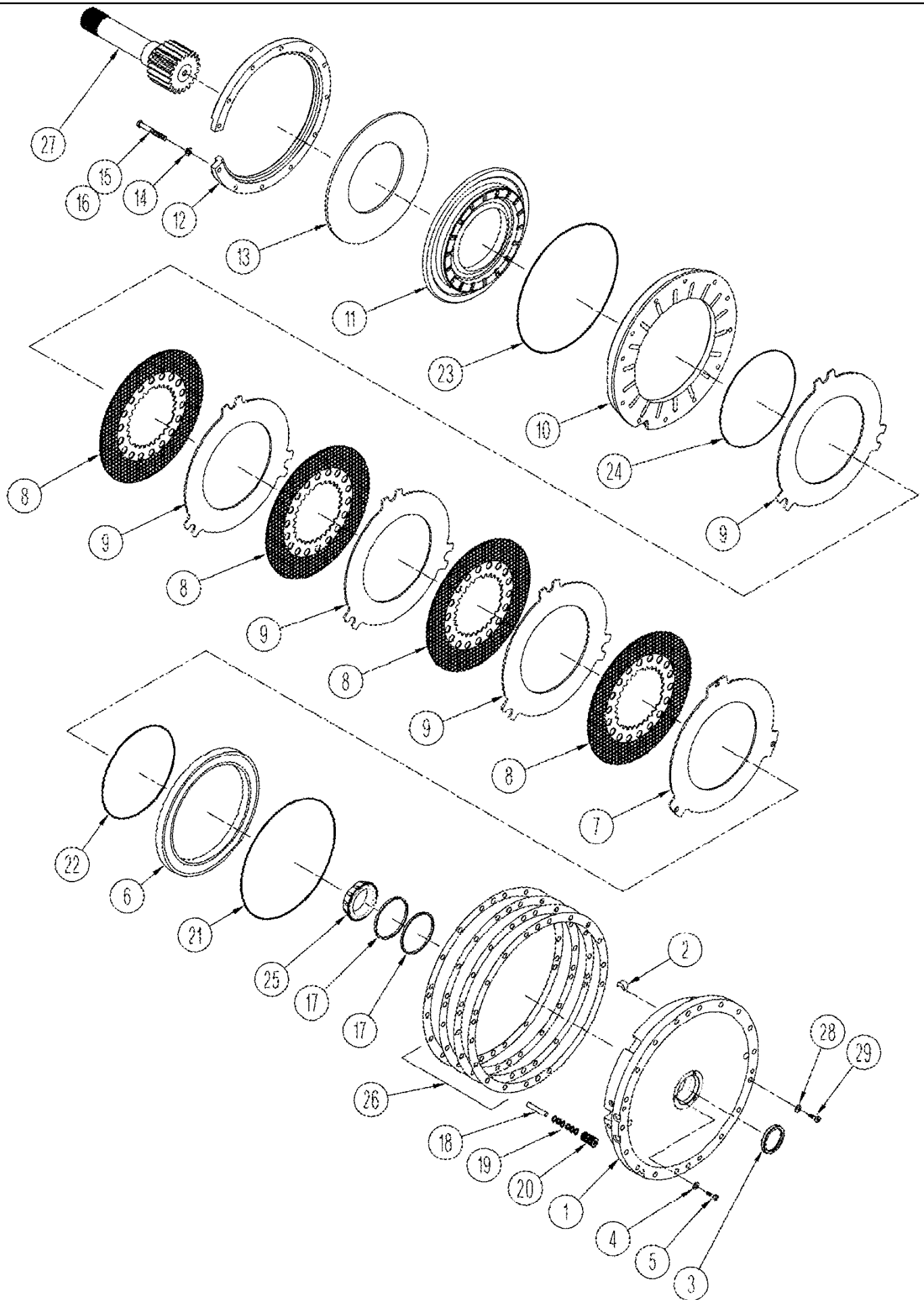
сылка	Номер детали	Кол-во	Описание
	413410A1	1	DIFFERENTIAL ASSY, Without Diff Lock, Inc. 1 & 2
1	NSS	1	NOT SERVICED SEPARATELY, Housing, Differential
2	87520606	1	PLUG, 10 mm
3	92907C1	1	SHAFT, Pinion, Long
4	1289349C1	1	SPACER, Long Pinion
5	92906C1	2	SHAFT, SHORT, Pinion
6	1289350C1	2	SPACER, Short Pinion
7	1270697C1	112	NEEDLE, 28 Per Gear
8	1289348C1	4	RING, Retaining
9	92718C2	4	WASHER,
10	92905C1	4	PINION,
11	1997421C1	2	BOLT, Cross Pin
12	137023A1	6	DOWEL, 10 x 60 mm
13	896-11016	24	WASHER, M17.5 x 30 x 4, HT,
14	828-16055	24	BOLT, Hex, M16 x 55, 10.9, Full Thd,
15	227116A2	2	WASHER, THRUST,
16	1259633C3	2	GEAR, Bevel, 20T
17	314226A3	1	COVER, Housing
18	622337C1	1	BEARING, CUP,
19	622336C1	1	BEARING, CONE,
20	148939C1	1	SEAL,
	87522606	1	GEAR SET, Pinion Shaft and Gears, Front Axle, Inc. 21, See Figure 06-70
	87522604	1	GEAR SET, Pinion Shaft and Gears, Rear Axle, Not Illustrated, Inc. 22, See Figure 06-71
21	NSS	1	NOT SERVICED SEPARATELY, Gear, Drive, Front Axle
22	NSS	1	NOT SERVICED SEPARATELY, Gear, Drive, Rear Axle, Not Illustrated
23	253931A1	1	BEARING SET,
24	253932A1	1	BEARING, CONE,
25	279844A2	2	SHAFT, Sun Gear, Short, QUADTRAC Tractor
25	279719A2	1	SUN GEAR, Short, STX Wheel Tractor



STX530 CASE IH 4WD TRACTOR (BTW Z6F100023 - Z6F105001)

06-75 500 SERIES AXLE ASSEMBLY - DIFFERENTIAL, WITH DIFFERENTIAL LOCKS

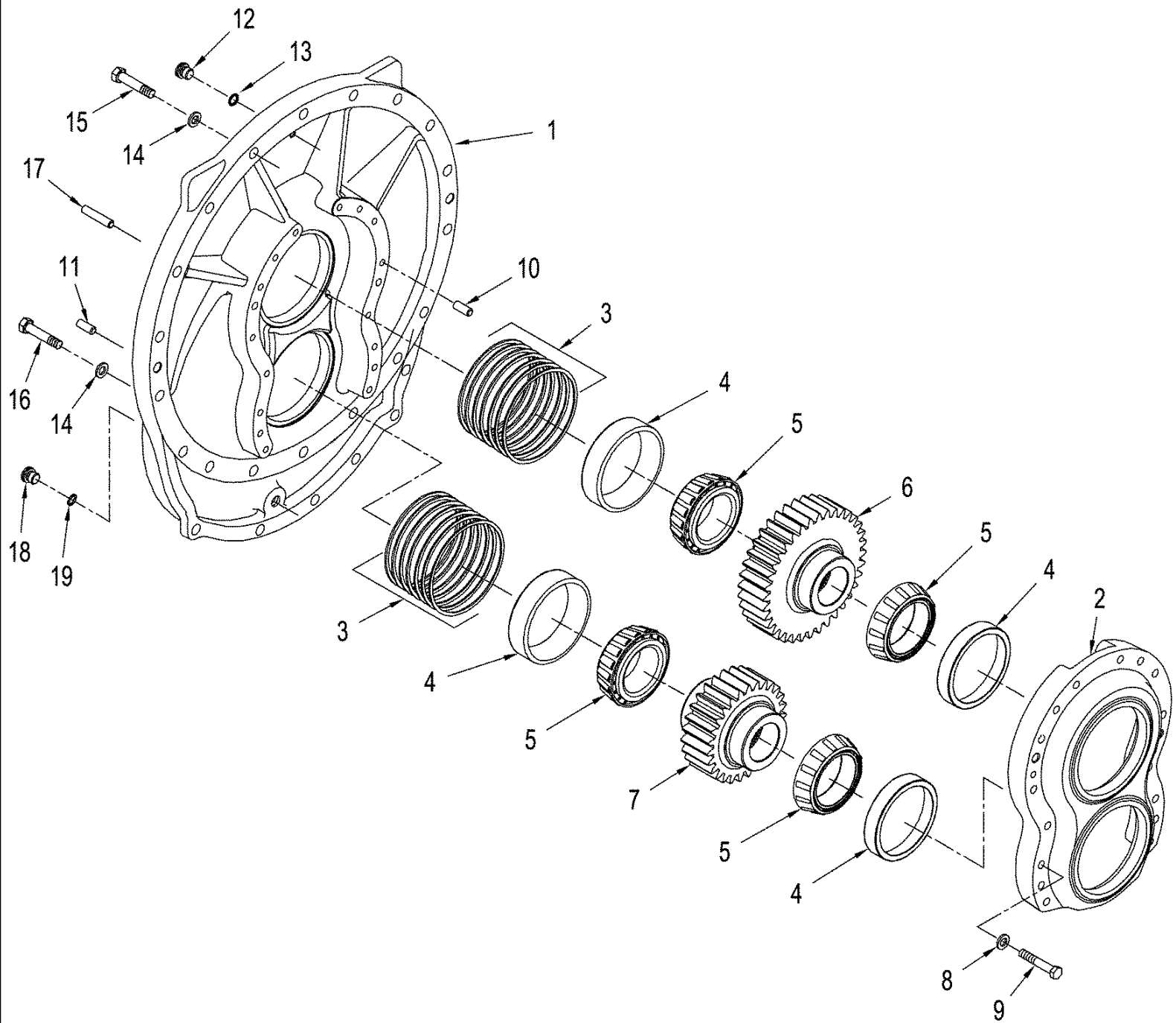
сылка	Номер детали	Кол-во	Описание
	413410A1	1	DIFFERENTIAL ASSY, With Diff Lock, Inc. 1 & 2
1	NSS	1	NOT SERVICED SEPARATELY, Housing, Differential
2	87520606	1	PLUG, 10 mm
3	92907C1	1	SHAFT, Pinion, Long
4	1289349C1	1	SPACER, Long Pinion
5	92906C1	2	SHAFT, SHORT, Pinion
6	1289350C1	2	SPACER, Short Pinion
7	1270697C1	112	NEEDLE, 28 Per Gear
8	1289348C1	4	RING,
9	92718C2	4	WASHER,
10	92905C1	4	PINION,
11	1997421C1	2	BOLT, Cross Pin
12	622337C1	1	BEARING, CUP,
13	87452270	4	PLATE, Separator
14	120679C1	3	PLATE, Friction
15	227116A2	1	WASHER, THRUST,
16	1259633C3	1	GEAR, Bevel, 20T
17	253609A4	1	COVER, Housing
18	279844A2	2	SHAFT, Sun Gear, Short, QUADTRAC Tractor
18	279719A2	1	SUN GEAR, Short, STX Wheel Tractor
19	1259634C3	1	PINION, Lock
20	148939C1	1	SEAL,
	87522606	1	GEAR SET, Pinion Shaft and Gears, Front Axle, Inc. 21, See Figure 06-70
	87522604	1	GEAR SET, Pinion Shaft and Gears, Rear Axle, Not Illustrated, Inc. 22, See Figure 06-71
21	NSS	1	NOT SERVICED SEPARATELY, Gear, Drive, Front Axle
22	NSS	1	NOT SERVICED SEPARATELY, Gear, Drive, Rear Axle, Not Illustrated
23	253931A1	1	BEARING SET,
24	253932A1	1	BEARING, CONE,
25	896-11016	24	WASHER, M17.5 x 30 x 4, HT,
26	828-16055	24	BOLT, Hex, M16 x 55, 10.9, Full Thd,
27	1997422C1	1	PISTON, Brake
28	622336C1	1	BEARING, CONE,
30	227117A2	1	WASHER, THRUST,



STX530 CASE IH 4WD TRACTOR (BTW Z6F100023 - Z6F105001)

06-76 500 SERIES AXLE ASSEMBLY - BRAKE AND RIGHT-HAND CARRIER

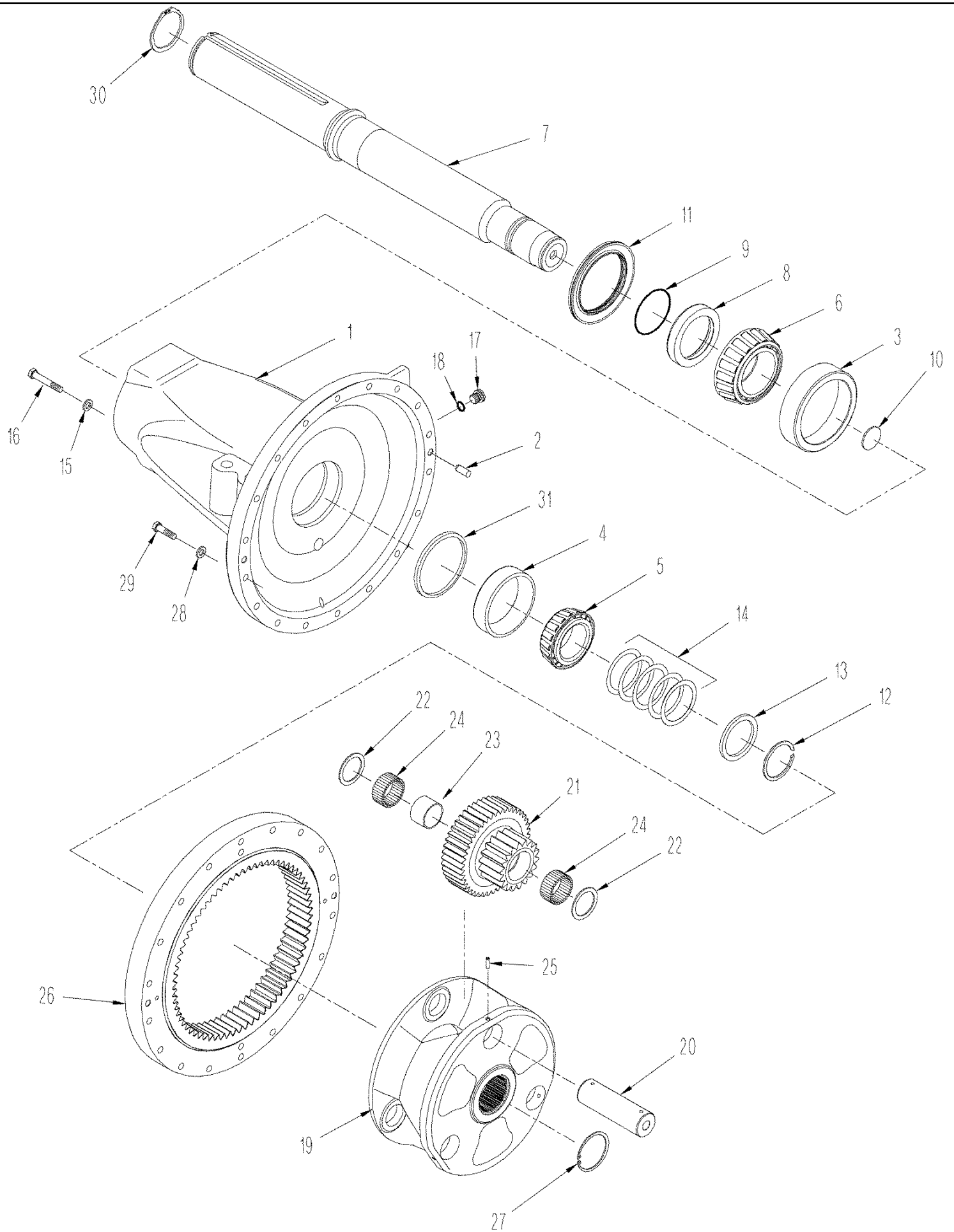
сылка	Номер детали	Кол-во	Описание
	398453A1	1	CARRIER, Assy., RH, Inc. 1, 2
	398454A1	1	CARRIER, Assy., RH, Inc. 1, 2, QUADTRAC Tractor
1	NSS	1	NOT SERVICED SEPARATELY, Carrier, Brake, QUADTRAC Tractor
1	NSS	1	NOT SERVICED SEPARATELY, Carrier, Brake, STX Wheel Tractor
2	NSS	1	NOT SERVICED SEPARATELY, 6,5 mm, Plug, Expansion
3	139059C1	1	SEAL,
4	95-81100	3	WASHER, 33/64" x 7/8" x .049",
5	843-1812	3	SCREW, Hex Flat Hd, M8 x 12, 4.8,
6	353364A1	1	PISTON, Service Brake
7	228194A3	1	PLATE, Return
8	353363A1	4	PLATE, Friction
9	228193A1	4	PLATE, Separator
10	353366A3	1	PLATE, Backing, QUADTRAC Tractor
10	353367A3	1	PLATE, Backing, STX Wheel Tractor
11	353369A1	1	PISTON, Park Brake
12	279707A1	1	RETAINER,
13	226320A1	1	SPRING,
14	896-12012	12	WASHER, M12 x 24.5 x 3, HT,
15	828-12100	10	BOLT, Hex, M12 x 100, 10.9,
11	353369A1	1	PISTON,
16	828-12090	2	BOLT, Hex, M12 x 90, 10.9,
17	388308A1	2	SEAL, Ring
	363254A1	3	ADJUSTER, Inc. 18 - 20
18	NSS	1	NOT SERVICED SEPARATELY, Pin, Dowel
19	100-1450	6	RING, SNAP, #50, Ext,
20	1342928C1	12	WASHER,
21	238-7281	1	O-RING, -281, CI 7, 14.484" ID x .139" Thk,
22	238-7277	1	O-RING, -277, CI 7, 11.484" ID x .139" Thk,
23	238-7282	1	O-RING, -282, CI 7, 15.955" ID x .139" Thk,
24	238-7278	1	O-RING, -277, CI 7, 11.984" ID x .139" Thk,
25	622336C1	1	BEARING, CONE,
26	279709A1	AR	SHIM, 0,076 mm
26	279710A1	AR	SHIM, 0,101 mm
26	279711A1	AR	SHIM, 0,130 mm
26	279712A1	AR	SHIM, 0,508 mm
27	279843A2	2	SHAFT, Sun Gear, Long, QUADTRAC Tractor
27	279718A2	1	SHAFT, Sun Gear, Long, STX Wheel Tractor
28	896-12014	18	WASHER, M12 x 28.5 x 3, HT,
29	828-14055	18	BOLT, Hex, M14 x 55, 10.9,



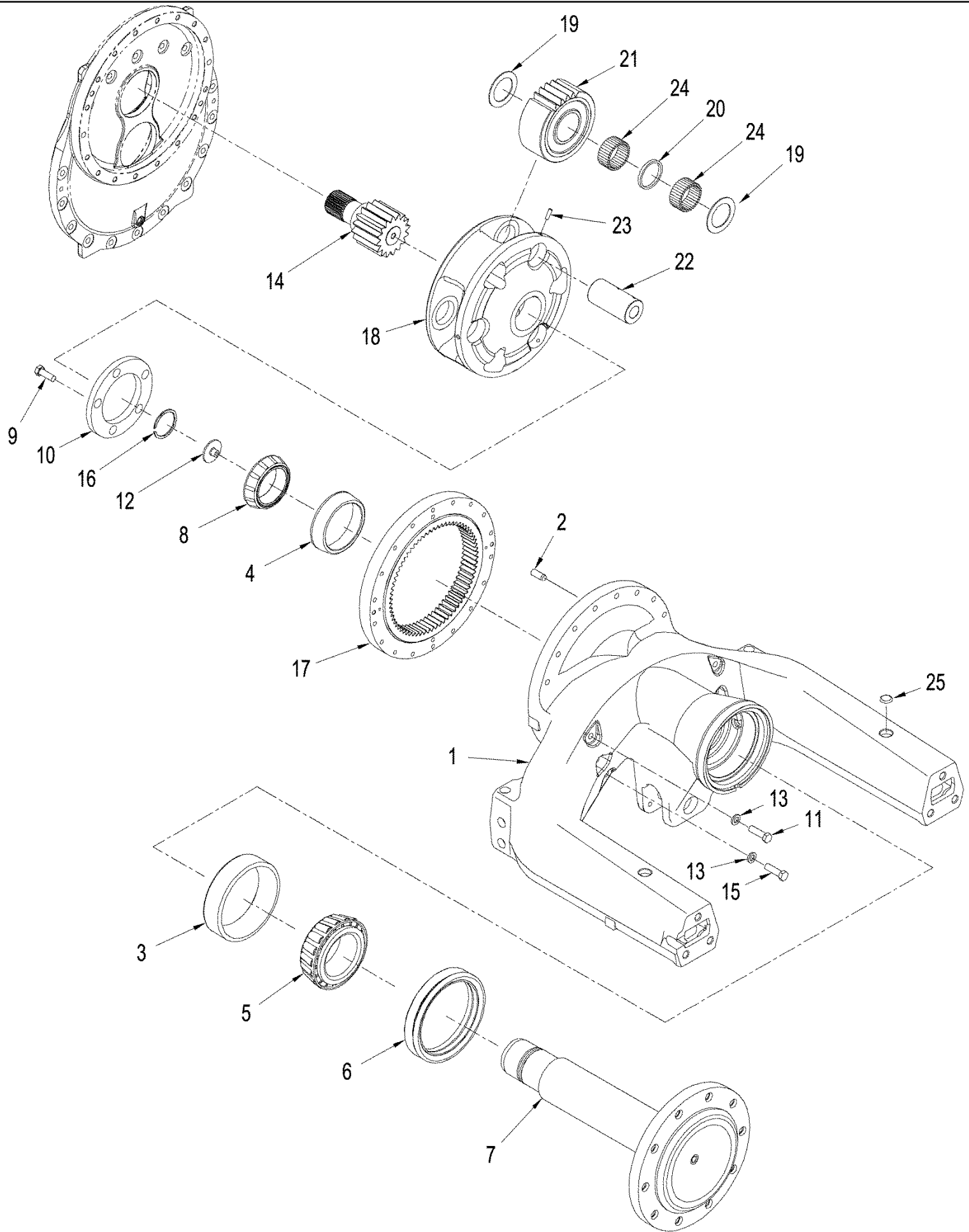
STX530 CASE IH 4WD TRACTOR (BTW Z6F100023 - Z6F105001)

06-77 500 SERIES AXLE ASSEMBLY - OFFSET BEARING, QUADTRAC TRACTOR

сылка	Номер детали	Кол-во	Описание
	87442153	1	HOUSING, AXLE, Offset Bearing, Inc. 1, 2 & 8, 9
1	NSS	1	NOT SERVICED SEPARATELY, Carrier
2	NSS	1	NOT SERVICED SEPARATELY, Cover
3	358064A1	AR	SHIM, 2,2 mm
3	358065A1	AR	SHIM, 2,3 mm
3	358066A1	AR	SHIM, 2,4 mm
3	358067A1	AR	SHIM, 2,5 mm
3	358068A1	AR	SHIM, 2,6 mm
3	358069A1	AR	SHIM, 2,7 mm
3	358070A1	AR	SHIM, 2,8 mm
4	284190A1	4	BEARING, CUP,
5	299245A1	4	BEARING, CONE,
6	279845A1	1	GEAR, 36 T
7	279846A1	1	GEAR, 27 T
8	896-12012	16	WASHER, M12 x 24.5 x 3, HT,
9	828-12070	16	BOLT, Hex, M12 x 70, 10.9,
10	837-12035	2	DOWEL, M12 x 35,
11	837-16040	2	DOWEL, M16 x 40,
12	221578A1	2	PLUG, Hex Soc, M18 x 1.5, ORB, Includes 13
13	637-63153	2	O-RING, CI 6, 15.3MM ID x 2.2 Thk,
14	896-12016	16	WASHER, M17.5 x 30 x 4, HT,
15	828-16070	11	BOLT, Hex, M16 x 70, 10.9,
16	828-16060	5	BOLT, Hex, M16 x 60, 10.9, Full Thd,
17	353-22	14	PLUG, Cap, 1.282" OD,
18	221578A1	1	PLUG, Hex Soc, M18 x 1.5, ORB, Includes 19
19	637-63153	1	O-RING, CI 6, 15.3MM ID x 2.2 Thk,



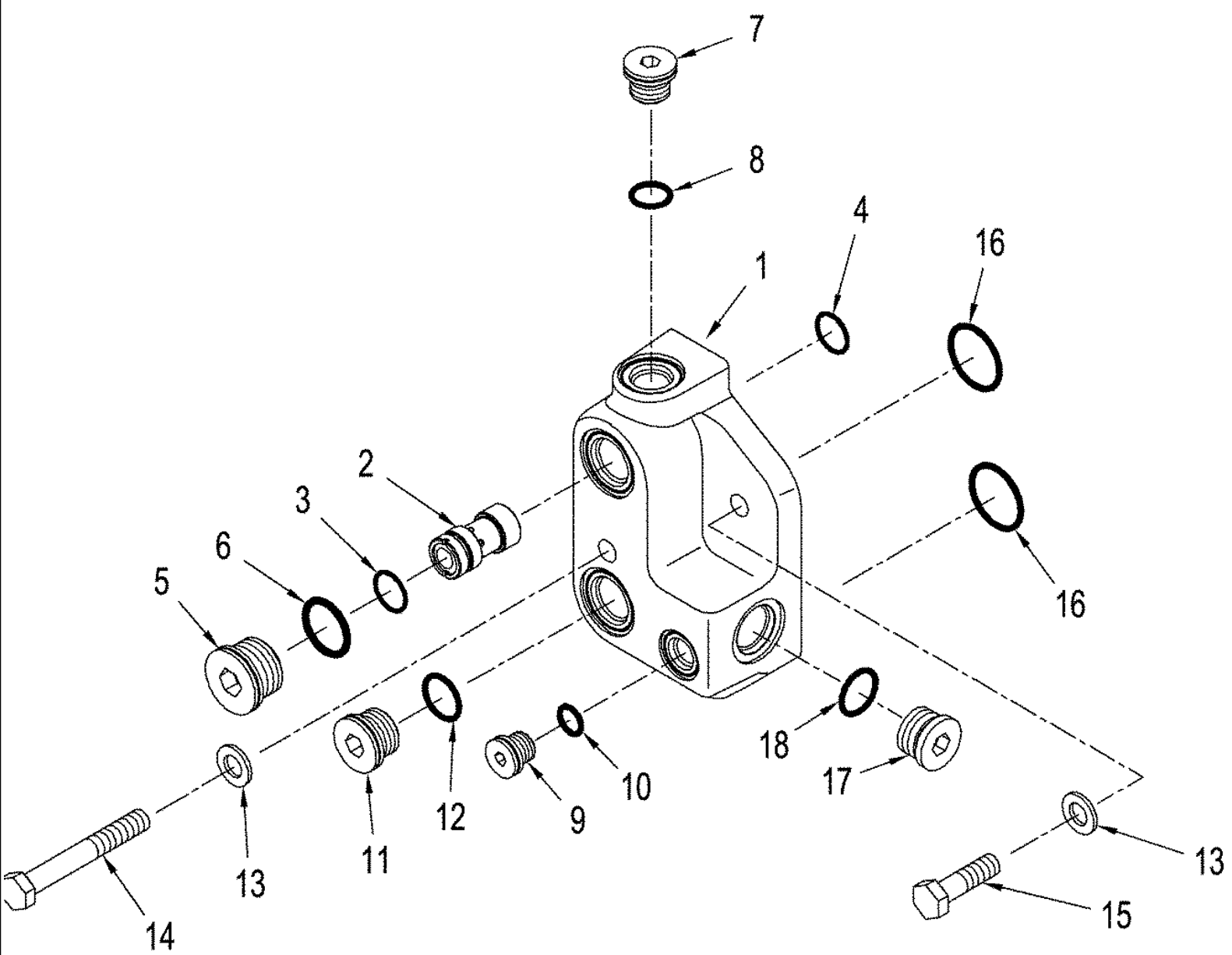
сылка	Номер детали	Кол-во	Описание
	435221A1	1	CARRIER, AXLE, Final Drive, Inc. 1 - 4
1	NSS	1	NOT SERVICED SEPARATELY, Housing, Final Drive
2	837-16040	2	DOWEL, M16 x 40,
3	237698A1	1	BEARING, CUP,
4	1975500C1	1	BEARING, CUP,
5	1975499C1	1	BEARING, CONE,
6	237700A1	1	BEARING, CONE,
	435219A1	1	SHAFT ASSY., Axle, 115 mm (4-1/2 in), Inc. 7 - 10
7	NSS	1	NOT SERVICED SEPARATELY, Shaft, Axle, 115 mm (4-1/2 in)
8	87593684	1	BUSHING, Outboard
9	238-5246	1	O-RING, -246, 70 Duro, 4.484" ID x .139" Thk,
10	1981270C1	1	INSERT,
11	239942A3	1	SEAL,
12	435222A1	1	SNAP RING,
13	436752A1	1	RING, THRUST,
14	437392A1	AR	SHIM,
14	437393A1	AR	SHIM,
14	437394A1	AR	SHIM,
14	437395A1	AR	SHIM,
14	437396A1	AR	SHIM,
15	95-31038	4	WASHER, 5/16",
16	628-8016	4	BOLT, Hex, M8 x 16, 10.9, Full Thd,
17	221578A1	1	PLUG, Hex Soc, M18 x 1.5, ORB, Inc. 18
18	637-63153	1	O-RING, CI 6, 15.3MM ID x 2.2 Thk,
19	435215A1	1	CARRIER, AXLE, Planetary, Large Spline
20	446312A1	3	SHAFT, PLANETARY CARRIER,
21	357347A2	3	GEAR, 18 T / 44 T
22	397449A1	6	WASHER, THRUST,
23	377650A1	3	SPACER,
24	360785A1	156	NEEDLE,
25	838-31025	3	PIN, M10 x 25, Coiled, 10 x 25 mm, Coiled Spring
26	357346A1	2	GEAR, 69 T, Ring
27	101-11350	2	RING, SNAP, #350, Ext,
28	896-12016	36	WASHER, M17.5 x 30 x 4, HT,
29	828-16130	36	BOLT, Hex, M16 x 130, 10.9,
30	800-11115	4	RING, SNAP, M115, Ext,
31	435216A1	2	SPACER,



STX530 CASE IH 4WD TRACTOR (BTW Z6F100023 - Z6F105001)

06-79 500 SERIES AXLE ASSEMBLY - FINAL DRIVE, QUADTRAC TRACTOR

сылка	Номер детали	Кол-во	Описание
	87308304	1	CARRIER, AXLE, Yoke, Inc. 1 - 4
1	NSS	1	NOT SERVICED SEPARATELY, Housing, Yoke
2	837-16040	2	DOWEL, M16 x 40,
3	237698A1	1	BEARING, CUP,
4	64371H0	1	CUP ASSY., Bearing
5	237700A1	1	BEARING, CONE,
6	369532A2	1	SEAL,
7	87441344	1	SHAFT, Axle
8	64370H	1	BEARING, ROLLER, Cone
9	87309531	2	SCREW, SELF TAPPING, Flg Socket Hd, M5 x 0.8, G10.9
10	87449936	1	RING, LOCKING, Nut
11	87301260	4	BOLT, Hex, M16 x 420, 10.9,
12	1981270C1	1	INSERT,
13	896-12016	9	WASHER, M17.5 x 30 x 4, HT,
14	360335A1	2	SHAFT, 16 T, Sun Gear
15	87301259	4	BOLT, Hex, M16 x 350, 10.9,
16	101-11350	2	RING, SNAP, #350, Ext,
17	310695A1	2	GEAR, RING, 77 T, Ring
18	388366A1	1	CARRIER, GEARS, Planetary
19	87435907	16	WASHER,
20	86985634	3	SPACER, RING,
21	310694A2	3	GEAR, PLANETARY, 29 T, Planet
22	310697A3	3	SHAFT, Gear
23	838-3826	3	PIN, M8 x 26, Coiled,
24	1349347C1	198	BEARING, NEEDLE,
25	87326609	2	PLUG, Exp, 2", Expansion

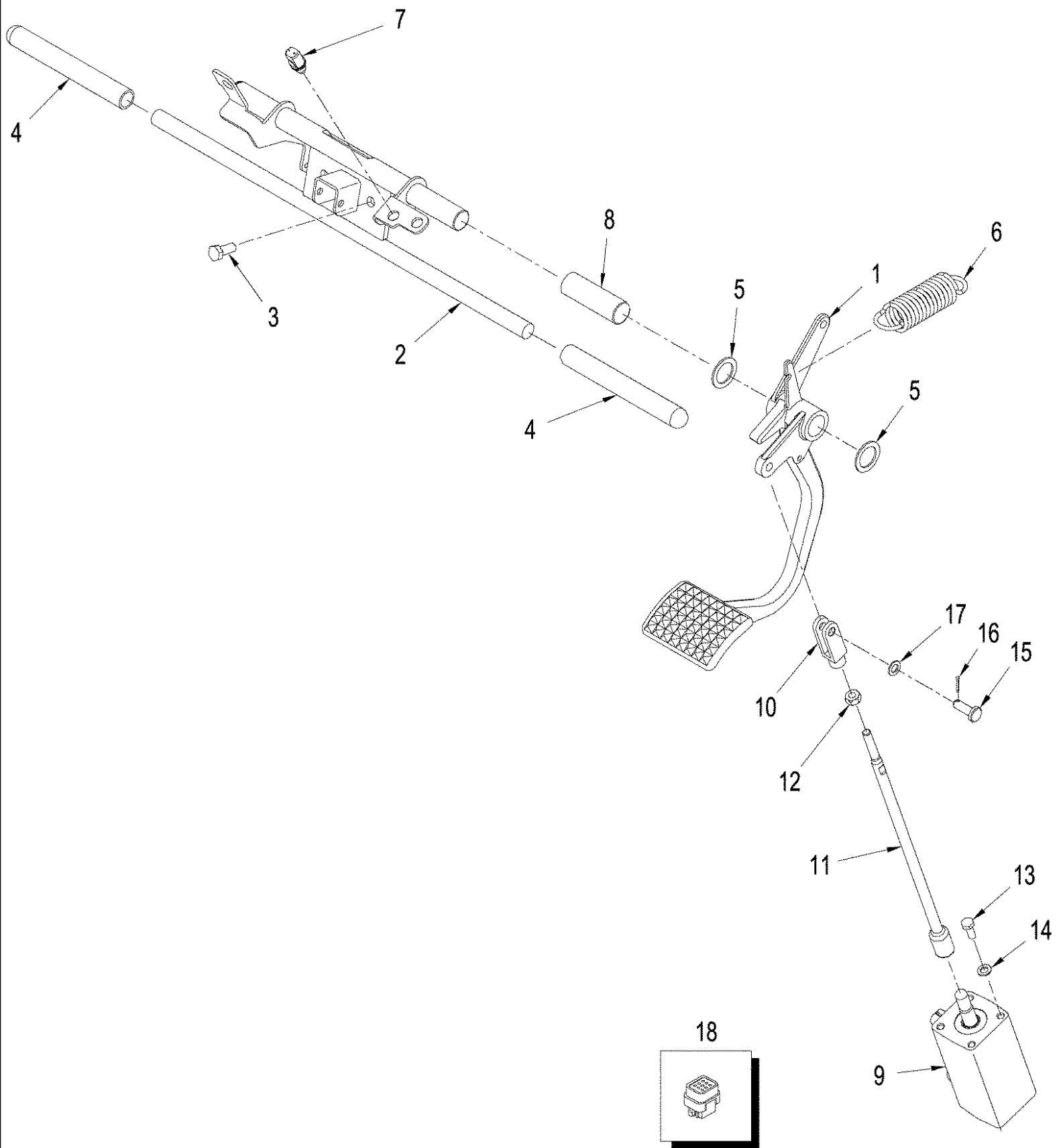


STX530 CASE IH 4WD TRACTOR (BTW Z6F100023 - Z6F105001)

06-80 AXLE ASSEMBLY - JET PUMP

сылка	Номер детали	Кол-во	Описание
1	428862A1	1	PUMP, LUBE, Housing
2	347294A3	1	PUMP, Jet
3	238-6017	1	O-RING, -017, 90 Duro, .676" ID x .070" Thk,
4	238-5110	1	O-RING, -110, 70 Duro, .362" ID x .103" Thk,
5	221580A1	1	PLUG, Hex Soc, M27 x 2, ORB, Inc. 6
6	637-64236	1	O-RING, CI 6, 23.6MM ID x 2.9 Thk,
7	221578A1	2	PLUG, Hex Soc, M18 x 1.5, ORB, Inc. 8
8	637-63153	2	O-RING, CI 6, 15.3MM ID x 2.2 Thk,
9	221576A1	1	PLUG, Hex Soc, M14 x 1.5, ORB, Inc. 10
10	637-63113	1	O-RING, CI 6, 11.3MM ID x 2.2 Thk,
11	221579A1	1	PLUG, Hex Soc, M22 x 1.5, ORB, Inc. 12
12	637-63193	1	O-RING, CI 6, 19.3MM ID x 2.2 Thk,
13	895-11010	3	WASHER, M10 x 20 x 2,
14	828-10075	1	BOLT, Hex, M10 x 75, 10.9,
15	628-10035	2	BOLT, Hex, M10 x 35, 10.9, Full Thd,
16	238-5122	2	O-RING, -122, 70 Duro, 1.112" ID x .103" Thk,
17	86625138	1	PLUG, Hex Soc, 7/8"-14 ORB, Inc. 18
18	237-6010	1	O-RING, 10-1, 90 Duro, .755" ID x .097" Thk,

07-01 BRAKE CONTROL

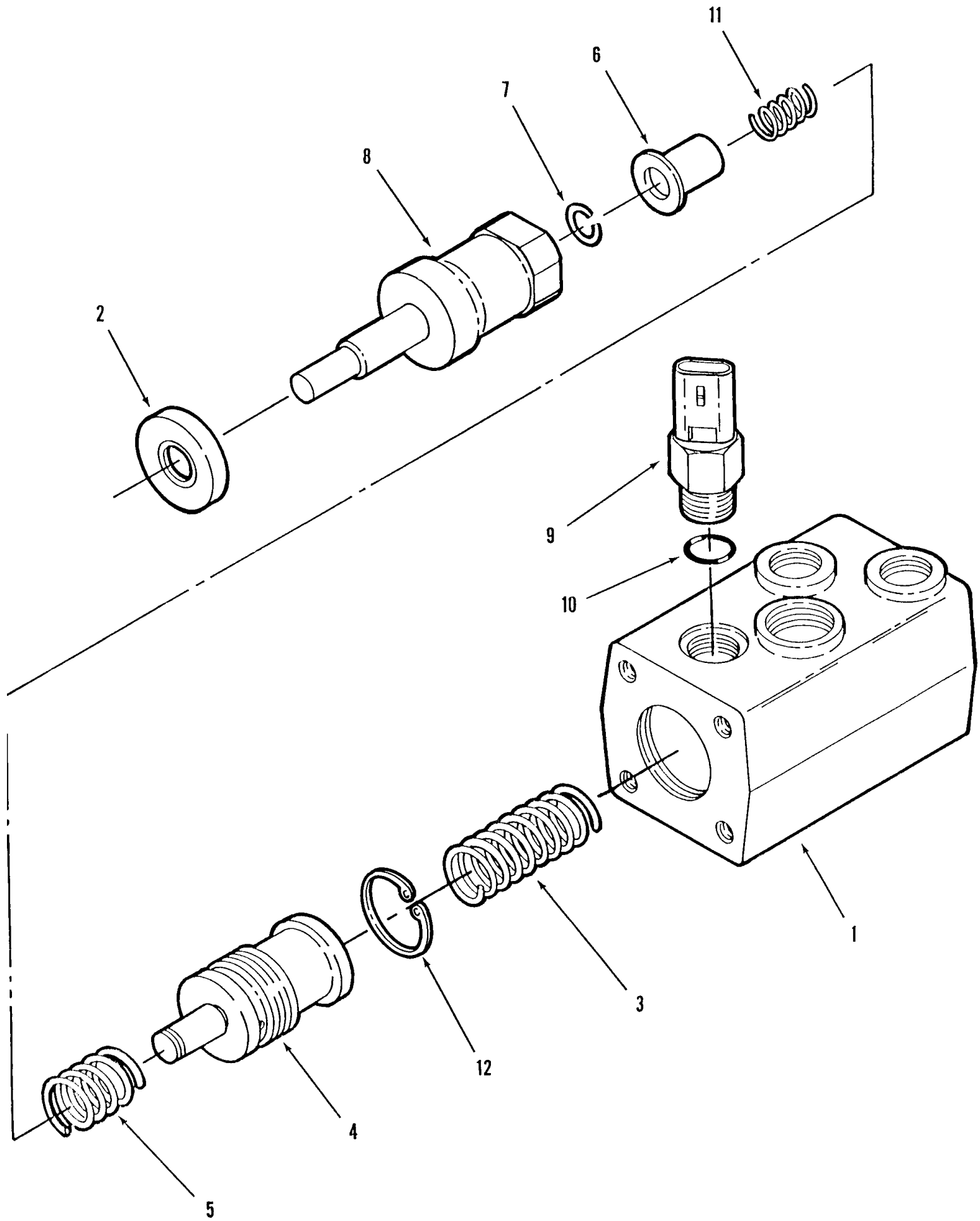


STX530 CASE IH 4WD TRACTOR (BTW Z6F100023 - Z6F105001)

07-01 BRAKE CONTROL

сылка	Номер детали	Кол-во	Описание
1	222462A2	1	PEDAL, Brake
2	87448885	1	SUPPORT, Pedal, Brake / Clutch
3	614-10025	2	BOLT, Hex, M10 x 25, 8.8, Full Thd,
4	321961A1	2	MOLDING, Rubber
5	281093A1	2	WASHER,
6	278210A1	1	SPRING, Extension
7	279265A2	1	SWITCH, Brake Light
8	281893A1	1	BEARING,
9	302822A3	1	VALVE, Brake, See Figure: 07-02
10	713-1110	1	CLEVIS, M10 x 40
11	369851A1	1	ROD,
12	829-1410	1	NUT, M10, CI 10,
13	628-8020	4	BOLT, Hex, M8 x 20, 10.9, Full Thd,
15	729-1030	1	PIN, CLEVIS, M10 x 30,
16	733-2512	1	PIN, SPLIT (COTTER), M2.5 x 12,
17	895-18010	1	WASHER, M10 x 18 x 1.6,
18	345471A1	1	SWITCH, Differential Lock
14	895-11008	4	WASHER, M8 x 16 x 1.6,

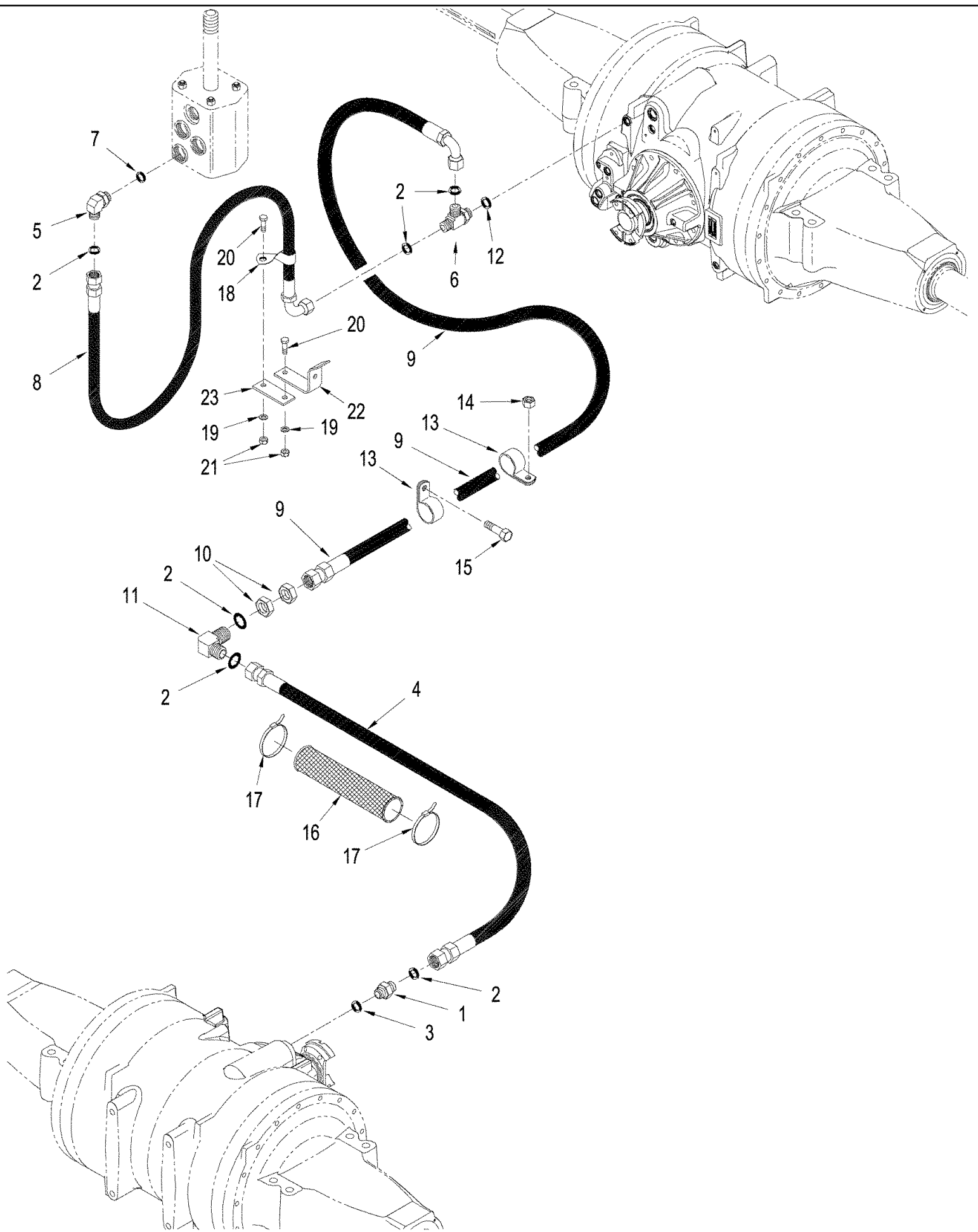
07-02 BRAKE VALVE ASSY



STX530 CASE IH 4WD TRACTOR (BTW Z6F100023 - Z6F105001)

07-02 BRAKE VALVE ASSY

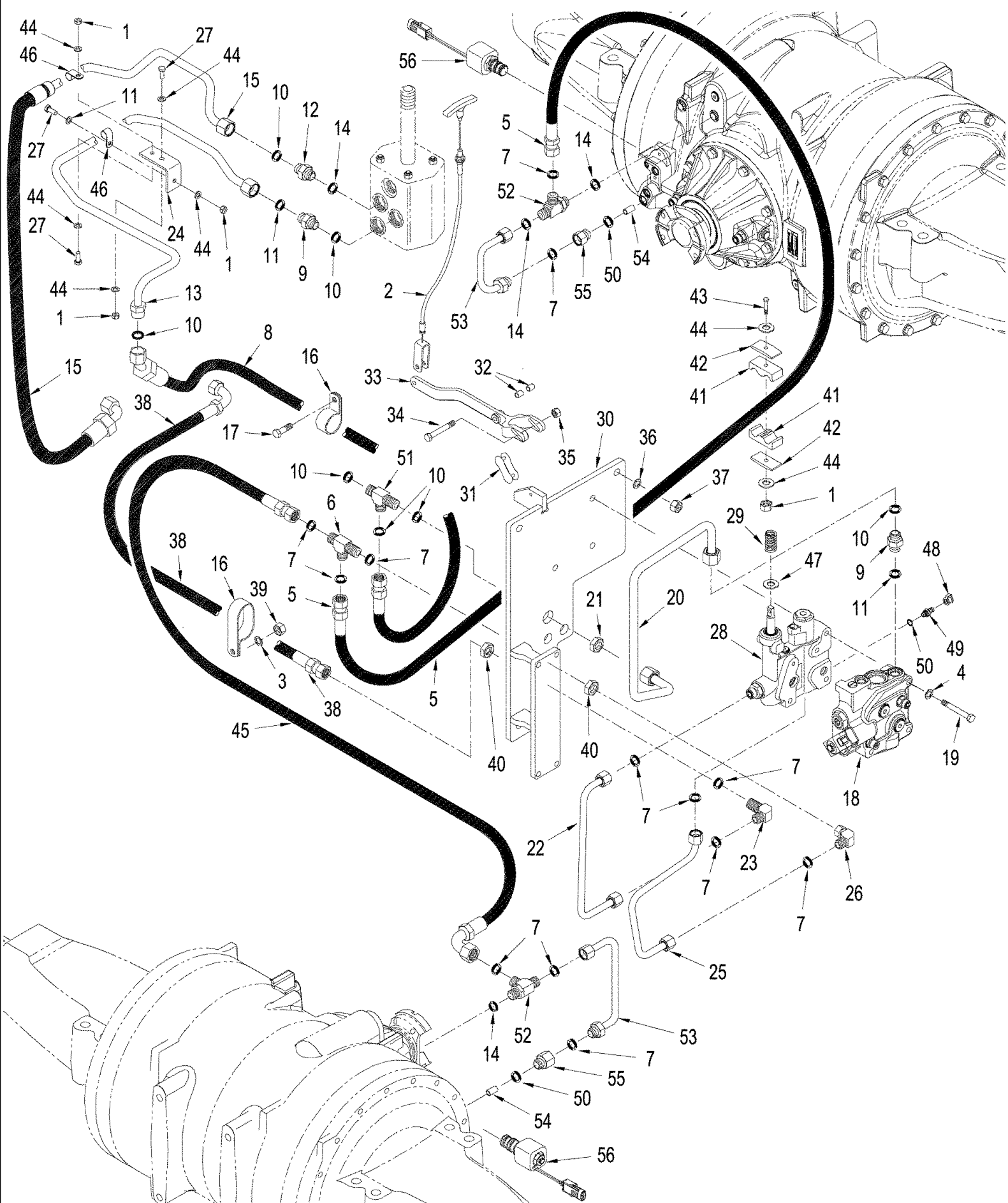
сылка	Номер детали	Кол-во	Описание
	302822A3	1	VALVE, Brake Assy., Inc. 1 - 10
1	NSS	1	NOT SERVICED SEPARATELY, Housing, Brake
2	195806A1	1	SEAL,
3	185613A1	1	SPRING,
4	280297A1	1	SPOOL,
5	291105A1	1	SPRING, Outer
6	291107A1	1	RETAINER,
7	229659A1	1	RING, SNAP,
8	291106A1	1	STEM,
9	279266A1	1	SWITCH, Inc. 10
10	237-6003	1	O-RING, 3-1, .301" ID x .064" Thk,
11	291104A1	1	SPRING,
12	100-21150	1	RING, SNAP, 1.50", Int, #150,



STX530 CASE IH 4WD TRACTOR (BTW Z6F100023 - Z6F105001)

07-06 500 SERIES AXLE - SERVICE BRAKE CIRCUIT, WHEEL TRACTOR

сылка	Номер детали	Кол-во	Описание
1	401760A1	1	VALVE, Check, 13/16 fc sl x 22 or, Inc. 2, 3
2	238-6014	6	O-RING, -014, 90 Duro, .489" ID x .070" Thk,
3	637-63193	1	O-RING, CI 6, 19.3MM ID x 2.2 Thk,
4	391243A2	1	HOSE ASSY., 2184 mm (86 in)
5	700-305	1	ELBOW, 90е, 13/16"-18 ORFS x M18 x 1.5 ORB, Inc. 2, 7
6	700-445	1	TEE, 13/16"-16 ORFS x M22 x 1.5 ORB Run, Inc. 2, 12
7	637-63153	1	O-RING, CI 6, 15.3MM ID x 2.2 Thk,
8	87427437	1	HOSE ASSY., 1051 mm (41-3/8 in)
9	353609A1	1	HOSE ASSY., 2115 mm (83 in)
10	701-903	2	NUT, LOCK, 13/16"-16, ORFS Blkhd,
11	701-301	1	ELBOW, 90е, 13/16"-16, ORFS, Blkhd, Inc. 2
12	637-63193	1	O-RING, CI 6, 19.3MM ID x 2.2 Thk,
13	515-23206	2	CLAMP, 13/16", Insul, 3/8" Bolt, P-type
14	829-1408	1	NUT, M8, CI 10,
15	627-8025	1	BOLT, Hex, M8 x 25, 10.9,
16	S120426	1	SLEEVE, Protection
17	L18331	2	STRAP, CABLE,
18	R43926	1	CLAMP, 90 Twist, 3/4"
19	895-15008	1	WASHER, M8 x 20 x 1.6,
20	627-8030	1	BOLT, Hex, M8 x 30, 10.9,
21	832-10408	1	NUT, LOCK, M8 x 1.25, CI 8,
22	394446A1	1	PLATE, Mounting
23	L50641	1	CONNECTING STRIP, Bracket

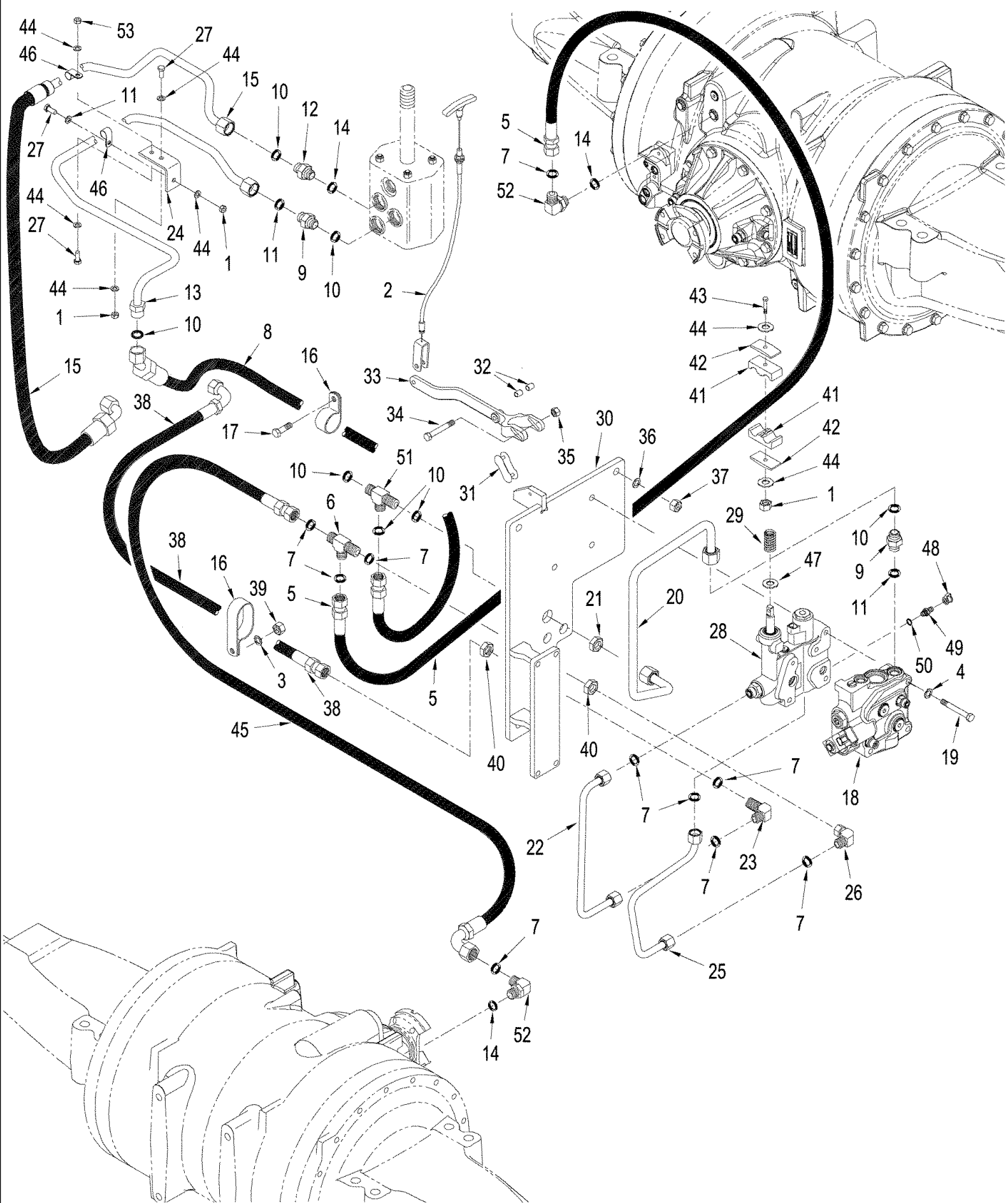


сылка	Номер детали	Кол-во	Описание
1	829-1408	4	NUT, M8, CI 10,
2	349863A2	1	CABLE, Tow Valve, See Figure: 08-17 for Mounting & Parts
3	895-11010	2	WASHER, M10 x 20 x 2,
4	895-18010	3	WASHER, M10 x 18 x 1.6,
5	428171A1	1	HOSE ASSY., 2235 mm (88 in)
6	701-423	1	TEE, 13/16"-16 ORFS, Blkd Run,
7	238-6014	8	O-RING, -014, 90 Duro, .489" ID x .070" Thk,
8	87309670	1	HOSE, 1170 mm (46")
9	700-115	2	CONNECTOR, HYD., 1"-14 ORFS x M18 x 1.5 ORB, Inc. 10, 11
10	238-6016	7	O-RING, -016, 90 Duro, .614" ID x .070" Thk,
11	637-63153	2	O-RING, CI 6, 15.3MM ID x 2.2 Thk,
12	700-103	1	CONNECTOR, HYD., 1"-14 ORFS x M22 x 1.5 ORB, Incl. 10, 14
13	87345208	1	TUBE, Brake Supply
14	637-63193	2	O-RING, CI 6, 19.3MM ID x 2.2 Thk,
15	87365244	1	TUBE, Return
16	515-24206	2	CLAMP, 13/16", Insul, 7/16" Bolt, P-type
17	627-8020	1	BOLT, Hex, M8 x 20, 10.9,
18	87672094	1	VALVE, Regulator, See Figure: 08-14
19	827-10150	3	BOLT, Hex, M10 x 150, 10.9,
20	449827A2	1	TUBE ASSY., Regulator Valve to Mounting Plate Tee
21	701-919	1	NUT, LOCK, 1"-14, ORFS Blkhd,
22	449796A1	1	TUBE ASSY., Tow Valve to Hydraulic Return
23	701-301	1	ELBOW, 90e, 13/16"-16, ORFS, Blkhd, Inc. 7
24	87345210	1	BRACKET, Mounting, Brake Tube
25	449798A1	1	TUBE ASSY., Lower Tow Valve to Mounting Plate Tee
26	701-320	1	ELBOW, 90e, 13/16"-16 ORFS x 13/16"-16 Fem Sw, Inc. 7
27	627-8020	3	BOLT, Hex, M8 x 20, 10.9,
28	87679712	1	VALVE, Control, Tow Block, See Figure: 08-16
29	361897A1	1	SPRING,
30	449830A1	1	PLATE ASSY., Mounting, Tow Valve
31	242-4412	1	LINK, CHAIN, Tow Valve Arm
32	392748A1	2	SPACER,
33	390918A3	1	ARM, Tow Valve
34	827-6070	1	BOLT, Hex, M6 x 70, 10.9,
35	832-10406	1	NUT, LOCK, M6 x 1, CI 8,
36	895-11012	3	WASHER, M12 x 24 x 2.5,
37	829-1412	3	NUT, M12, CI 10,
38	87414079	1	HOSE ASSY., 1298 mm (51 in)
39	829-1410	2	NUT, M10, CI 10,
40	701-903	3	NUT, LOCK, 13/16"-16, ORFS Blkhd,
41	435470A1	2	CLAMP,
42	50-2533T1	2	PLATE,
43	827-8070	1	BOLT, Hex, M8 x 70, 10.9,
44	895-11008	8	WASHER, M8 x 16 x 1.6,
45	352112A3	1	HOSE ASSY., 2336 mm (92 in)

STX530 CASE IH 4WD TRACTOR (BTW Z6F100023 - Z6F105001)

07-07 500 SERIES AXLE - PARK BRAKE CIRCUIT, WITH DIFFERENTIAL LOCK, WHEEL TRACTOR

сылка	Номер детали	Кол-во	Описание
46	515-22159	2	CLAMP, 5/8", Insul, 5/16" Bolt,
47	896-12016	1	WASHER, M17.5 x 30 x 4, HT,
	178889A1	1	FITTING, Diagnostic, Inc. 48, 49
48	H434163	1	DUST CAP, Dust
49	NSS	1	NOT SERVICED SEPARATELY, Fitting, Diagnostic, Inc. 50
50	637-63113	1	O-RING, CI 6, 11.3MM ID x 2.2 Thk,
51	701-429	1	TEE, 1"-14 ORFS, Blkd Run, Inc. 10
52	700-445	2	TEE, 13/16"-16 ORFS x M22 x 1.5 ORB Run, Inc. 7, 14
53	416697A1	2	TUBE ASSY., Jumper
	341195A1	2	ORIFICE, Inc. 54, 55
54	878-10812	2	SET SCREW, Hex Soc, M8 x 12, Cup Pt,
55	700-154	2	CONNECTOR, HYD., 13/16"-16 ORFS x M14 x 1.5 ORB, Inc. 7, 50
56	384977A1	2	VALVE, Solenoid, Differential Lock, See Figure: 07-12



STX530 CASE IH 4WD TRACTOR (BTW Z6F100023 - Z6F105001)

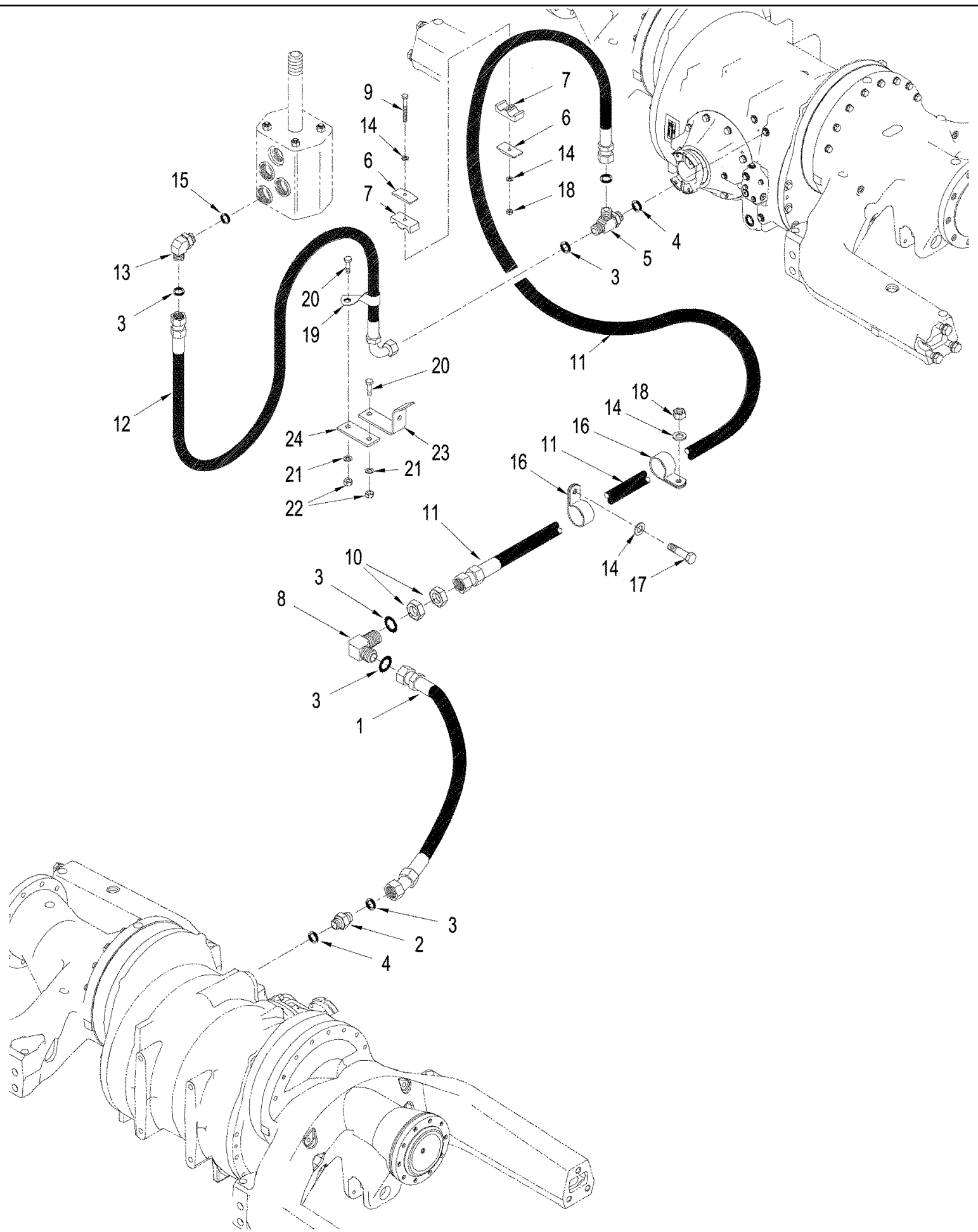
07-08 500 SERIES AXLE - PARK BRAKE CIRCUIT, WITHOUT DIFFERENTIAL LOCK, WHEEL TRACTOR

сылка	Номер детали	Кол-во	Описание
1	829-1408	1	NUT, M8, CI 10,
2	349863A2	1	CABLE, Tow Valve, See Figure: 08-17 for Mounting & Parts
3	895-11010	2	WASHER, M10 x 20 x 2,
4	895-18010	3	WASHER, M10 x 18 x 1.6,
5	428171A1	1	HOSE ASSY., 2235 mm (88 in)
6	701-423	1	TEE, 13/16"-16 ORFS, Blkd Run,
7	238-6014	3	O-RING, -014, 90 Duro, .489" ID x .070" Thk,
8	87309670	1	HOSE, 2286 mm (90 in)
9	700-115	2	CONNECTOR, HYD., 1"-14 ORFS x M18 x 1.5 ORB, Inc. 10, 11
10	238-6016	2	O-RING, -016, 90 Duro, .614" ID x .070" Thk,
11	637-63153	2	O-RING, CI 6, 15.3MM ID x 2.2 Thk,
12	700-103	1	CONNECTOR, HYD., 1"-14 ORFS x M22 x 1.5 ORB, Incl. 10, 14
13	87345208	1	TUBE, Brake Supply
14	637-63193	1	O-RING, CI 6, 19.3MM ID x 2.2 Thk,
15	87365244	1	TUBE, Return
16	515-24206	2	CLAMP, 13/16", Insul, 7/16" Bolt, P-type
17	627-8020	1	BOLT, Hex, M8 x 20, 10.9,
18	87672094	1	VALVE, Regulator, See Figure: 08-14
19	827-10150	3	BOLT, Hex, M10 x 150, 10.9,
20	449827A2	1	TUBE ASSY.,
21	701-919	1	NUT, LOCK, 1"-14, ORFS Blkhd,
22	449796A1	1	TUBE ASSY.,
23	701-301	1	ELBOW, 90°, 13/16"-16, ORFS, Blkhd, Inc. 7
24	87345210	1	BRACKET, Mounting
25	449798A1	1	TUBE ASSY., Lower Tow Valve to Mounting Plate Tee
26	701-320	1	ELBOW, 90°, 13/16"-16 ORFS x 13/16"-16 Fem Sw, Inc. 27
27	627-8020	1	BOLT, Hex, M8 x 20, 10.9,
28	87679712	1	VALVE, Control, Tow Block, See Figure: 08-16
29	361897A1	1	SPRING,
30	449830A1	1	PLATE ASSY.,
31	242-4412	1	LINK, CHAIN,
32	392748A1	2	SPACER,
33	390918A3	1	ARM, Tow Valve
34	827-6070	1	BOLT, Hex, M6 x 70, 10.9,
35	832-10406	1	NUT, LOCK, M6 x 1, CI 8,
36	895-11012	3	WASHER, M12 x 24 x 2.5,
37	829-1412	3	NUT, M12, CI 10,
38	87414079	1	HOSE ASSY., 1358 m (53-7/16 in)
39	829-1410	2	NUT, M10, CI 10,
40	701-903	3	NUT, LOCK, 13/16"-16, ORFS Blkhd,
41	435470A1	2	CLAMP,
42	50-2533T1	2	PLATE,
43	827-8070	1	BOLT, Hex, M8 x 70, 10.9,
44	895-11008	8	WASHER, M8 x 16 x 1.6,
45	352112A3	1	HOSE ASSY., 2336 mm (92 in)

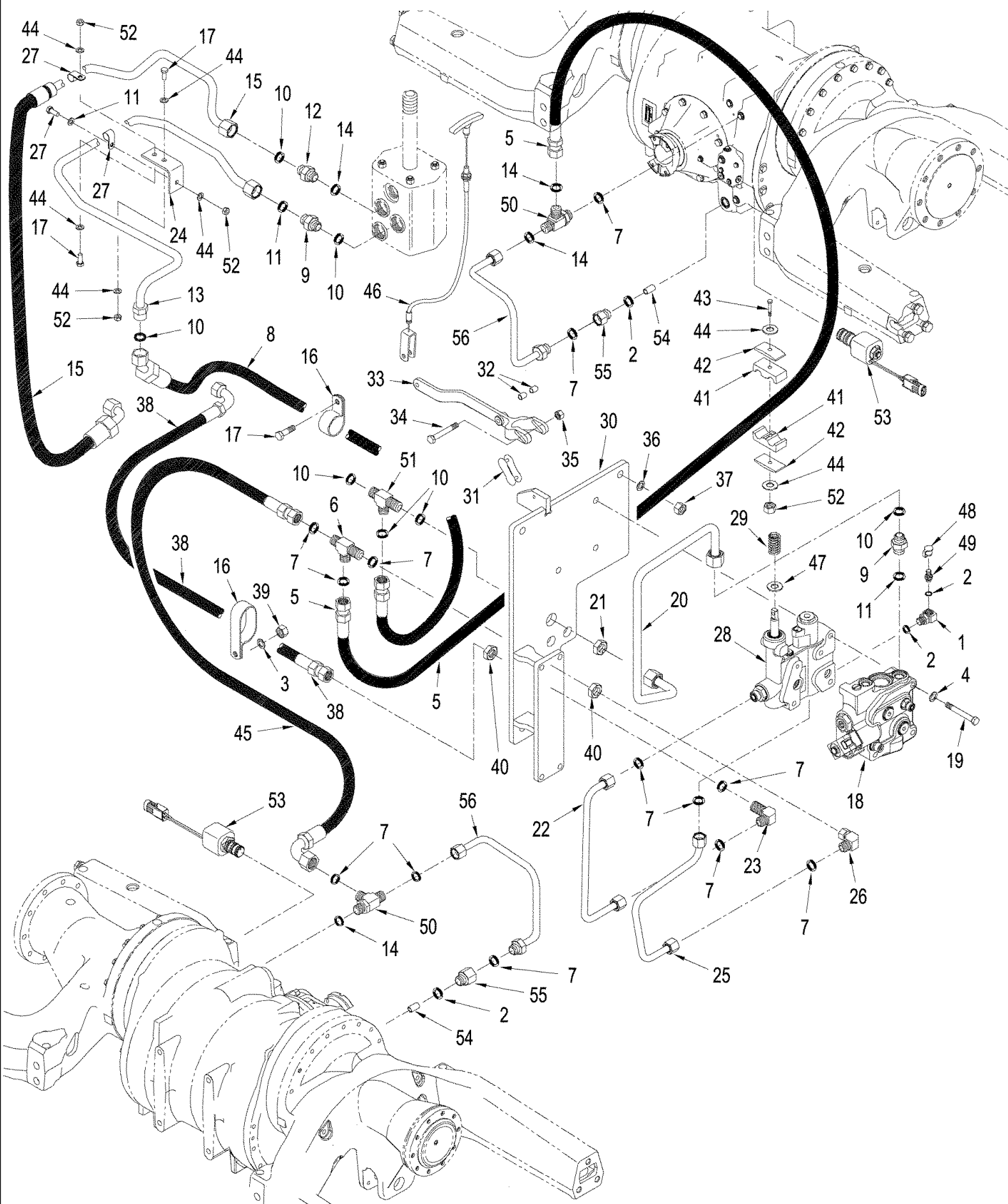
STX530 CASE IH 4WD TRACTOR (BTW Z6F100023 - Z6F105001)

07-08 500 SERIES AXLE - PARK BRAKE CIRCUIT, WITHOUT DIFFERENTIAL LOCK, WHEEL TRACTOR

сылка	Номер детали	Кол-во	Описание
46	515-22159	2	CLAMP, 5/8", Insul, 5/16" Bolt,
47	896-12016	1	WASHER, M17.5 x 30 x 4, HT,
	178889A1	1	FITTING, Diagnostic, Inc. 48, 49
48	H434163	1	DUST CAP, Dust
49	NSS	1	NOT SERVICED SEPARATELY, Fitting, Diagnostic, Inc. 50
50	637-63113	1	O-RING, CI 6, 11.3MM ID x 2.2 Thk,
51	701-429	1	TEE, 1"-14 ORFS, Blkd Run, Inc. 52
52	700-326	2	ELBOW, 90є, 13/16"-18 ORFS x M22 x 1.5 ORB, Incl. 7, 14



сылка	Номер детали	Кол-во	Описание
1	391243A2	1	HOSE ASSY., 2184 mm (86")
2	401760A1	1	VALVE, Check, 13/16 fc sl x 22 or, Inc. 3, 4
3	238-6014	4	O-RING, -014, 90 Duro, .489" ID x .070" Thk,
4	637-63193	1	O-RING, CI 6, 19.3MM ID x 2.2 Thk,
5	700-445	1	TEE, 13/16"-16 ORFS x M22 x 1.5 ORB Run, Inc. 3, 4
6	50-2533T1	2	PLATE,
7	50-2551T1	2	CLAMP,
8	701-301	1	ELBOW, 90є, 13/16"-16, ORFS, Blkhd, Inc. 8
9	827-8070	1	BOLT, Hex, M8 x 70, 10.9,
10	701-903	2	NUT, LOCK, 13/16"-16, ORFS Blkhd,
11	352109A2	1	HOSE ASSY., 2159 mm (84")
12	87364343	1	HOSE, 838 mm (33")
13	700-305	1	ELBOW, 90є, 13/16"-18 ORFS x M18 x 1.5 ORB, Inc. 3, 13
14	895-11008	4	WASHER, M8 x 16 x 1.6,
15	637-63153	1	O-RING, CI 6, 15.3MM ID x 2.2 Thk,
16	515-23206	2	CLAMP, 13/16", Insul, 3/8" Bolt, P-type
17	627-8025	1	BOLT, Hex, M8 x 25, 10.9,
18	829-1408	2	NUT, M8, CI 10,
19	R43926	1	CLAMP, 90 Twist, 3/4"
20	627-8030	1	BOLT, Hex, M8 x 30, 10.9,
21	895-15008	1	WASHER, M8 x 20 x 1.6,
22	832-10408	1	NUT, LOCK, M8 x 1.25, CI 8,
23	394446A1	1	PLATE, Mounting
24	L50641	1	CONNECTING STRIP, Bracket

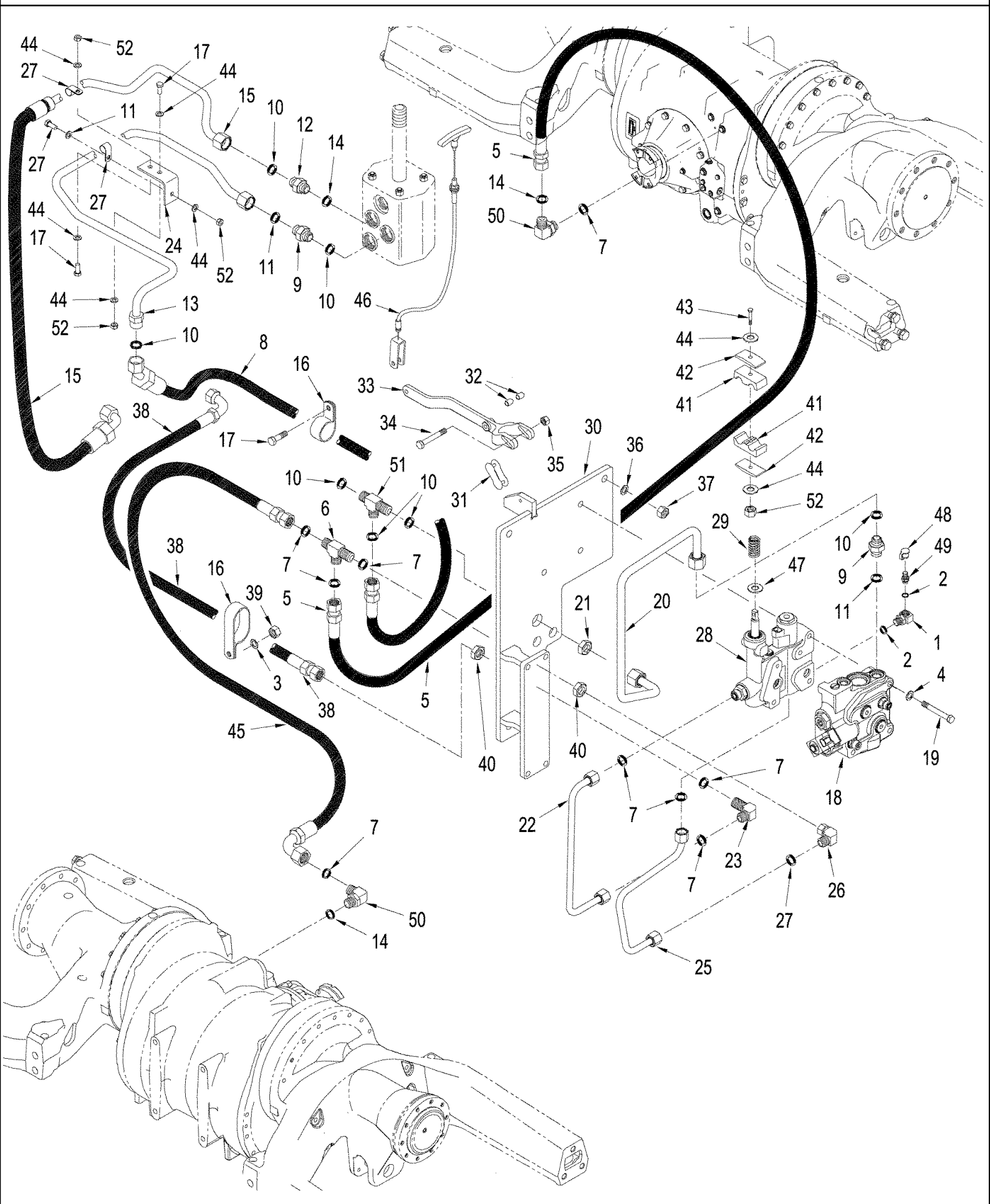


сылка	Номер детали	Кол-во	Описание
1	428078A1	1	ELBOW, 90, M14 or, Inc. 2
2	637-63113	4	O-RING, CI 6, 11.3MM ID x 2.2 Thk,
3	895-11010	2	WASHER, M10 x 20 x 2,
4	895-18010	3	WASHER, M10 x 18 x 1.6,
5	383969A2	1	HOSE ASSY., 1845 mm (73 in)
6	701-423	1	TEE, 13/16"-16 ORFS, Blkd Run, Inc. 7
7	238-6014	7	O-RING, -014, 90 Duro, .489" ID x .070" Thk,
8	87415316	1	HOSE ASSY., 2368 mm (93 in)
9	700-115	2	CONNECTOR, HYD., 1"-14 ORFS x M18 x 1.5 ORB, Inc. 10, 11
10	238-6016	5	O-RING, -016, 90 Duro, .614" ID x .070" Thk,
11	637-63153	2	O-RING, CI 6, 15.3MM ID x 2.2 Thk,
12	700-103	1	CONNECTOR, HYD., 1"-14 ORFS x M22 x 1.5 ORB, Incl. 10, 14
13	87345208	1	TUBE, Brake Supply
14	637-63193	2	O-RING, CI 6, 19.3MM ID x 2.2 Thk,
15	87365244	1	TUBE, Return
16	515-24206	2	CLAMP, 13/16", Insul, 7/16" Bolt, P-type
17	627-8020	4	BOLT, Hex, M8 x 20, 10.9,
18	87672094	1	VALVE, Regulator, See Figure: 08-14
19	827-10150	3	BOLT, Hex, M10 x 150, 10.9,
20	449827A2	1	TUBE ASSY.,
21	701-919	1	NUT, LOCK, 1"-14, ORFS Blkhd,
22	449796A1	1	TUBE ASSY., Tow Valve to Hydraulic Return
23	701-301	1	ELBOW, 90e, 13/16"-16, ORFS, Blkhd, Inc. 7
24	87345210	1	BRACKET, Mounting, Brake Tubes
25	449798A1	1	TUBE ASSY., Lower Tow Valve to Mounting Plate Tee
26	701-320	1	ELBOW, 90e, 13/16"-16 ORFS x 13/16"-16 Fem Sw, Inc. 7
27	515-22159	2	CLAMP, 5/8", Insul, 5/16" Bolt, P-type
28	87679712	1	VALVE, Control, Tow Block, See Figure: 08-16
29	361897A1	1	SPRING,
30	449830A1	1	PLATE ASSY., Mounting, Tow Valve
31	242-4412	1	LINK, CHAIN, Tow Valve Arm
32	392748A1	2	SPACER,
33	390918A3	1	ARM, Tow Valve
34	827-6070	1	BOLT, Hex, M6 x 70, 10.9,
35	832-10406	1	NUT, LOCK, M6 x 1, CI 8,
36	895-11012	3	WASHER, M12 x 24 x 2.5,
37	829-1412	3	NUT, M12, CI 10,
38	87414079	1	HOSE ASSY., 1298 mm (51 in)
39	829-1410	3	NUT, M10, CI 10,
40	701-903	3	NUT, LOCK, 13/16"-16, ORFS Blkhd,
41	50-2551T1	2	CLAMP,
42	50-2533T1	2	PLATE,
43	827-8070	1	BOLT, Hex, M8 x 70, 10.9,
45	352112A3	1	HOSE ASSY., 2336 mm (92 in)
44	895-11008	8	WASHER, M8 x 16 x 1.6,

STX530 CASE IH 4WD TRACTOR (BTW Z6F100023 - Z6F105001)

07-10 500 SERIES AXLE - PARK BRAKE CIRCUIT, WITH DIFFERENTIAL LOCK, QUADTRAC TRACTOR

сылка	Номер детали	Кол-во	Описание
46	349863A2	1	CABLE, Tow Valve, See Figure: 08-17 for Mounting & Parts
47	896-12016	1	WASHER, M17.5 x 30 x 4, HT,
	178889A1	1	FITTING, Diagnostic, Inc. 48, 49
48	H434163	1	DUST CAP, Dust
49	NSS	1	NOT SERVICED SEPARATELY, Fitting, Diagnostic, Inc. 2
50	700-445	2	TEE, 13/16"-16 ORFS x M22 x 1.5 ORB Run, Inc. 7, 14
51	701-429	1	TEE, 1"-14 ORFS, Blkd Run, Inc. 2
52	829-1408	5	NUT, M8, CI 10,
53	384977A1	2	VALVE, Solenoid, Differential Lock, See Figure: 07-12
	341195A1	2	ORIFICE, Inc. 54, 55
54	878-10812	2	SET SCREW, Hex Soc, M8 x 12, Cup Pt,
55	700-154	2	CONNECTOR, HYD., 13/16"-16 ORFS x M14 x 1.5 ORB, Inc. 2, 7
56	413340A1	2	TUBE ASSY.,



STX530 CASE IH 4WD TRACTOR (BTW Z6F100023 - Z6F105001)

07-11 500 SERIES AXLE - PARK BRAKE CIRCUIT, WITHOUT DIFFERENTIAL LOCK, QUADTRAC TRACTOR

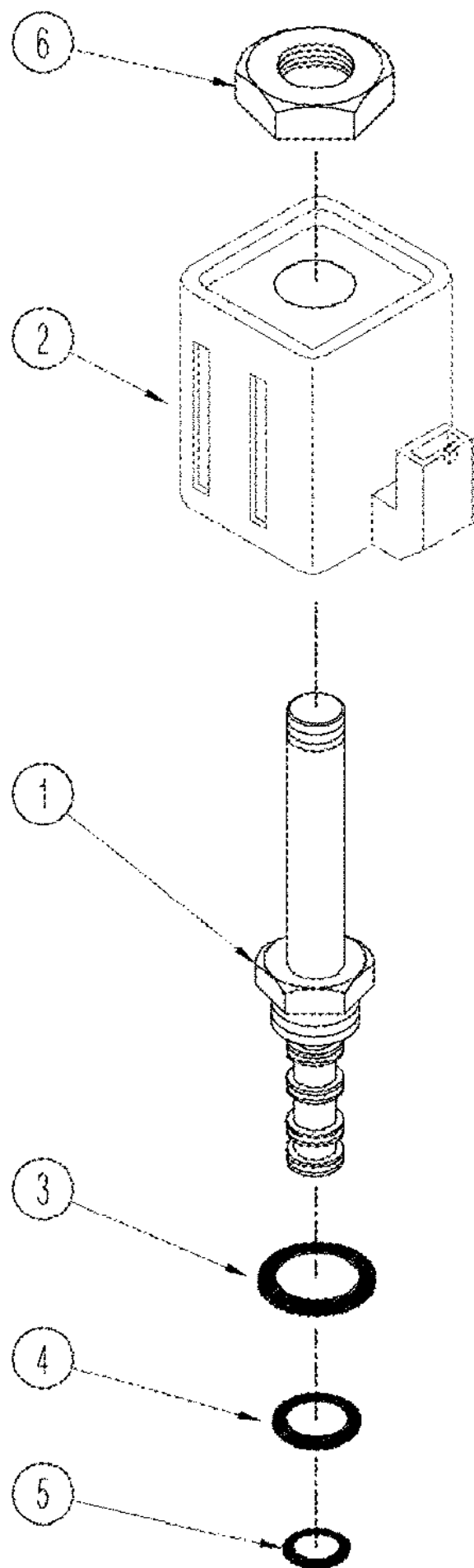
сылка	Номер детали	Кол-во	Описание
1	428078A1	1	ELBOW, 90, M14 or, Inc. 2
2	637-63113	2	O-RING, CI 6, 11.3MM ID x 2.2 Thk,
3	895-11010	2	WASHER, M10 x 20 x 2,
4	895-18010	3	WASHER, M10 x 18 x 1.6,
5	383969A2	1	HOSE ASSY., 1845 mm (73 in)
6	701-423	1	TEE, 13/16"-16 ORFS, Blkd Run,
7	238-6014	8	O-RING, -014, 90 Duro, .489" ID x .070" Thk,
8	87415316	1	HOSE ASSY., 2386 mm (73 in)
9	700-115	2	CONNECTOR, HYD., 1"-14 ORFS x M18 x 1.5 ORB, Inc. 10, 11
10	238-6016	6	O-RING, -016, 90 Duro, .614" ID x .070" Thk,
11	637-63153	2	O-RING, CI 6, 15.3MM ID x 2.2 Thk,
12	700-103	1	CONNECTOR, HYD., 1"-14 ORFS x M22 x 1.5 ORB, Incl. 10, 14
13	87345208	1	TUBE, Brake Supply
14	637-63193	1	O-RING, CI 6, 19.3MM ID x 2.2 Thk,
15	87365244	1	TUBE, Return
16	515-24206	2	CLAMP, 13/16", Insul, 7/16" Bolt, P-type
17	627-8020	4	BOLT, Hex, M8 x 20, 10.9,
18	87672094	1	VALVE, Regulator, See Figure: 08-14
19	827-10150	3	BOLT, Hex, M10 x 150, 10.9,
20	449827A2	1	TUBE ASSY., Regulator to Mounting Plate Tee
21	701-919	1	NUT, LOCK, 1"-14, ORFS Blkhd,
22	449796A1	1	TUBE ASSY.,
23	701-301	1	ELBOW, 90e, 13/16"-16, ORFS, Blkhd, Inc. 7
24	87345210	1	BRACKET, Mounting, Brake Tubes
25	449798A1	1	TUBE ASSY.,
26	701-320	1	ELBOW, 90e, 13/16"-16 ORFS x 13/16"-16 Fem Sw, Inc. 7
27	515-22159	2	CLAMP, 5/8", Insul, 5/16" Bolt, P-type
28	87679712	1	VALVE, Control, Tow Block, See Figure: 08-16
29	361897A1	1	SPRING,
30	449830A1	1	PLATE ASSY., Mounting, Tow Valve
31	242-4412	1	LINK, CHAIN, Tow Valve Arm
32	392748A1	2	SPACER,
33	390918A3	1	ARM, Tow Valve
34	827-6070	1	BOLT, Hex, M6 x 70, 10.9,
35	832-10406	1	NUT, LOCK, M6 x 1, CI 8,
36	895-11012	3	WASHER, M12 x 24 x 2.5,
37	829-1412	3	NUT, M12, CI 10,
38	87414079	1	HOSE ASSY., Return
39	829-1410	2	NUT, M10, CI 10,
40	701-903	3	NUT, LOCK, 13/16"-16, ORFS Blkhd,
41	50-2551T1	2	CLAMP,
42	50-2533T1	2	PLATE,
43	827-8070	1	BOLT, Hex, M8 x 70, 10.9,
44	895-11008	8	WASHER, M8 x 16 x 1.6,
45	352112A3	1	HOSE ASSY., 2336 mm (92")

STX530 CASE IH 4WD TRACTOR (BTW Z6F100023 - Z6F105001)

07-11 500 SERIES AXLE - PARK BRAKE CIRCUIT, WITHOUT DIFFERENTIAL LOCK, QUADTRAC TRACTOR

сылка	Номер детали	Кол-во	Описание
46	349863A2	1	CABLE, Tow Valve, See Figure: 08-17 for Mounting & Parts
47	896-12016	1	WASHER, M17.5 x 30 x 4, HT,
	178889A1	1	FITTING, Diagnostic, Inc. 48, 49
48	H434163	1	DUST CAP, Dust
49	NSS	1	NOT SERVICED SEPARATELY, Fitting, Diagnostic, Inc. 2
50	700-326	2	ELBOW, 90°, 13/16"-18 ORFS x M22 x 1.5 ORB, Incl. 7, 14
51	701-429	1	TEE, 1"-14 ORFS, Blkd Run, Inc. 10
52	829-1408	5	NUT, M8, CI 10,

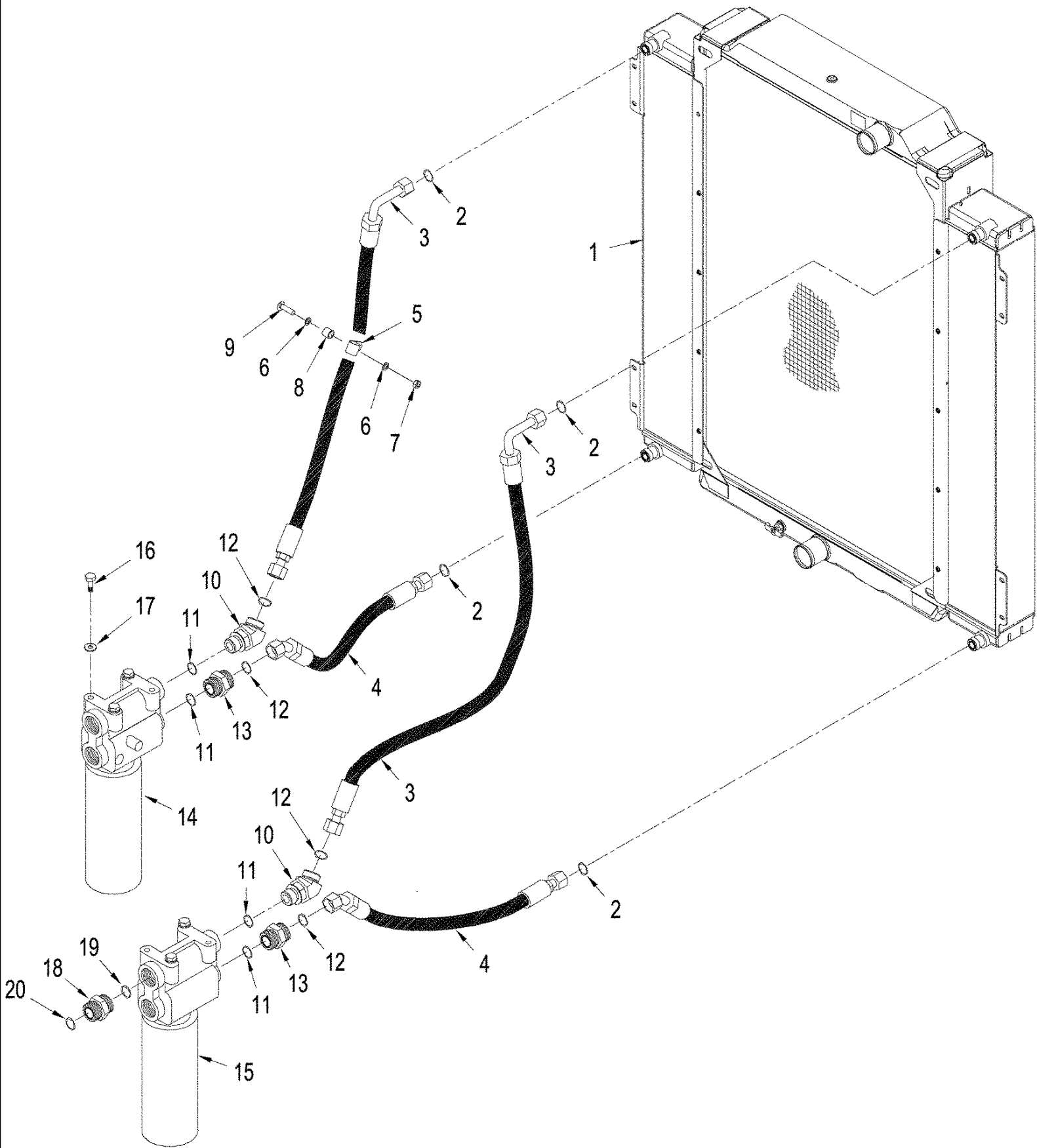
07-12 VALVE ASSEMBLY - DIFFERENTIAL LOCK



STX530 CASE IH 4WD TRACTOR (BTW Z6F100023 - Z6F105001)

07-12 VALVE ASSEMBLY - DIFFERENTIAL LOCK

сылка	Номер детали	Кол-во	Описание
	384977A1	1	VALVE, Differential Lock, Inc. 1 - 6
1	384976A1	1	CARTRIDGE,
2	353941A1	1	COIL,
3	237-6010	1	O-RING, 10-1, 90 Duro, .755" ID x .097" Thk,
4	238-5015	1	O-RING, -015, 70 Duro, .551" ID x .070" Thk,
5	238-5014	1	O-RING, -014, 70 Duro, .489" ID x .070" Thk,
6	NSS	1	NOT SERVICED SEPARATELY, Nut

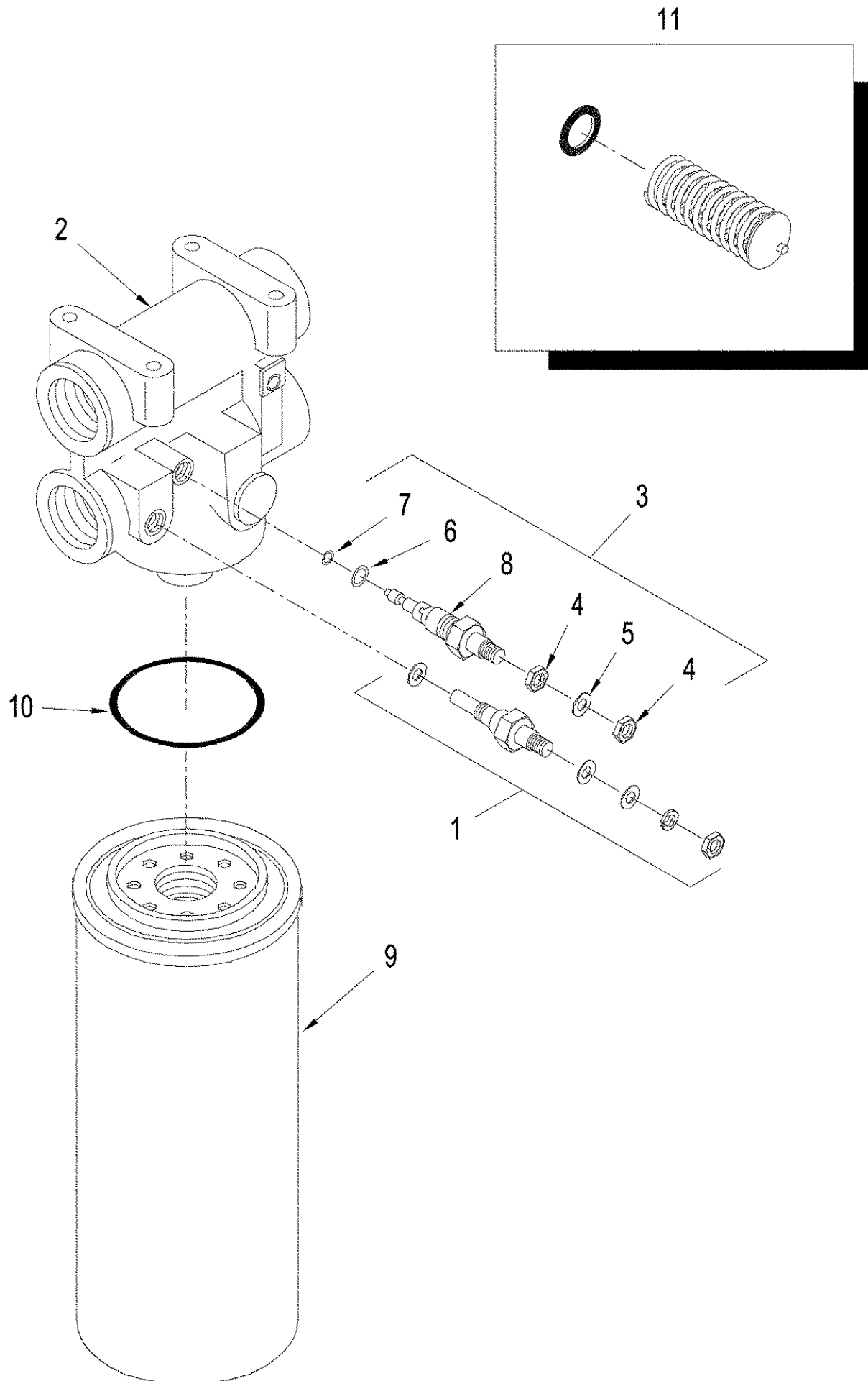


STX530 CASE IH 4WD TRACTOR (BTW Z6F100023 - Z6F105001)

08-02 HYDRAULIC OIL COOLER, STX & STEIGER 480 / 530

сылка	Номер детали	Кол-во	Описание
1	87434388	1	RADIATOR, Oil, See Figure: 02-04
2	238-6018	4	O-RING, -018, 90 Duro, .739" ID x .070" Thk,
3	87440661	2	HOSE ASSY., 1181mm (46-1/2")
4	87440659	2	HOSE ASSY., 685 mm (27")
5	515-25254	2	CLAMP, 1", Insul, 1/2" Bolt,
6	895-18010	2	WASHER, M10 x 18 x 1.6,
7	829-1410	2	NUT, M10, CI 10,
8	87307825	2	SPACER,
9	811-10040	2	BOLT, CARRIAGE, Short NK, M10 x 40, CI8.8, Full Thd,
10	700-387	2	ELBOW, 45e, 1 3/16"-12 ORFS x M27 x 2 ORB, Inc. 11 & 12
11	637-64236	1	O-RING, CI 6, 23.6MM ID x 2.9 Thk,
12	238-6018	1	O-RING, -018, 90 Duro, .739" ID x .070" Thk,
13	700-104	2	CONNECTOR, HYD., 1 3/16"-12 ORFS x M27 x 2 ORB, Incl. 11, 12
14	REF	1	INSTRUCTION, Filter, Transmission, LH, See Figure: 08-04
15	REF	1	INSTRUCTION, Filter, Axle Lubrication, RH, See Figure: 08-04
16	627-10025	4	BOLT, Hex, M10 x 25, 10.9, Full Thd,
17	895-11010	4	WASHER, M10 x 20 x 2,
18	700-105	2	CONNECTOR, HYD., 1 7/16"-12 ORFS x M22 x 2 ORB, Inc. 19 & 20
19	637-64296	2	O-RING, CI 6, 29.6MM ID x 2.9 Thk,
20	238-6021	2	O-RING, -021, 90 Duro, .926" ID x .070" Thk,

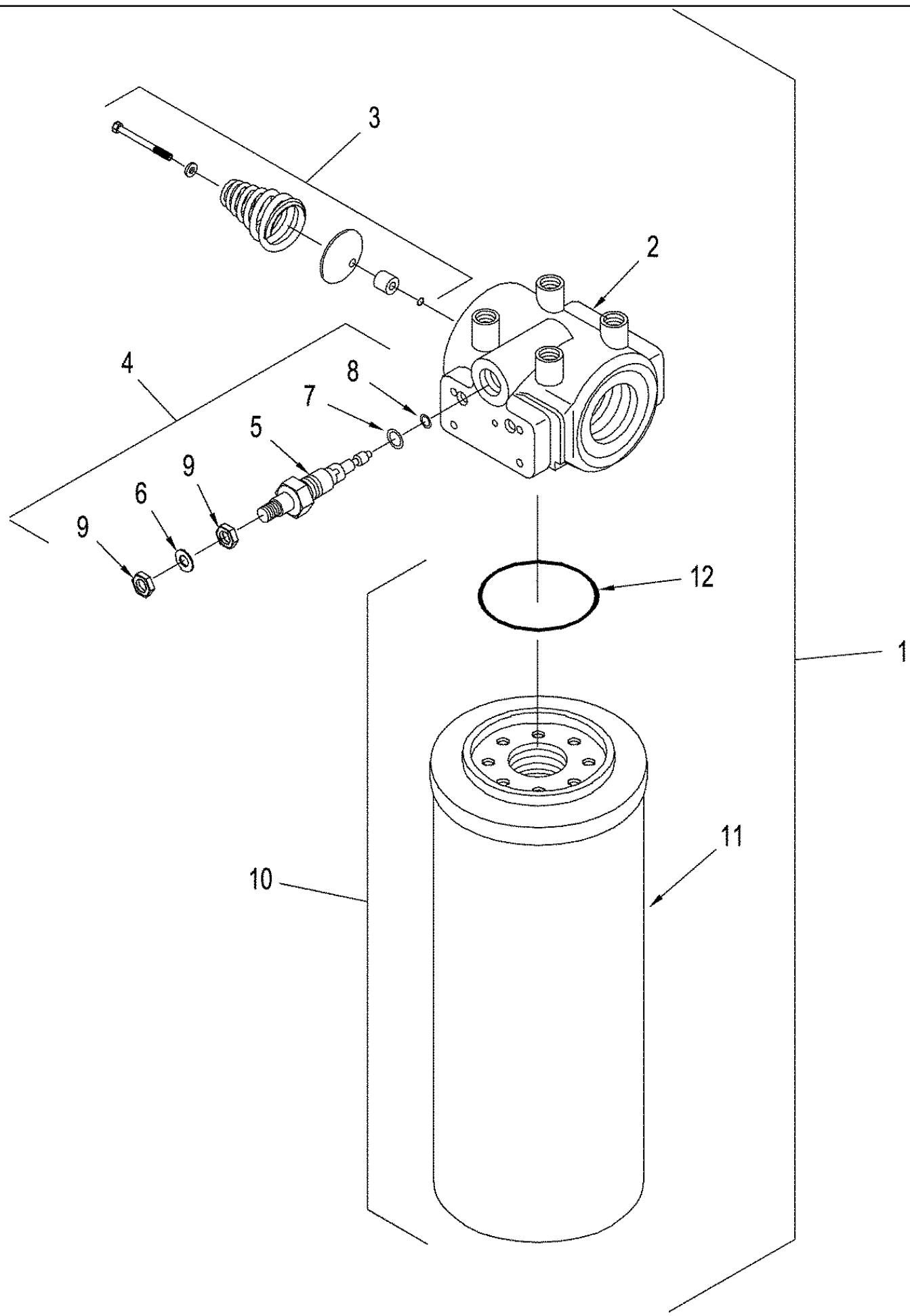
08-04 OIL FILTER - AXLE AND TRANSMISSION



STX530 CASE IH 4WD TRACTOR (BTW Z6F100023 - Z6F105001)

08-04 OIL FILTER - AXLE AND TRANSMISSION

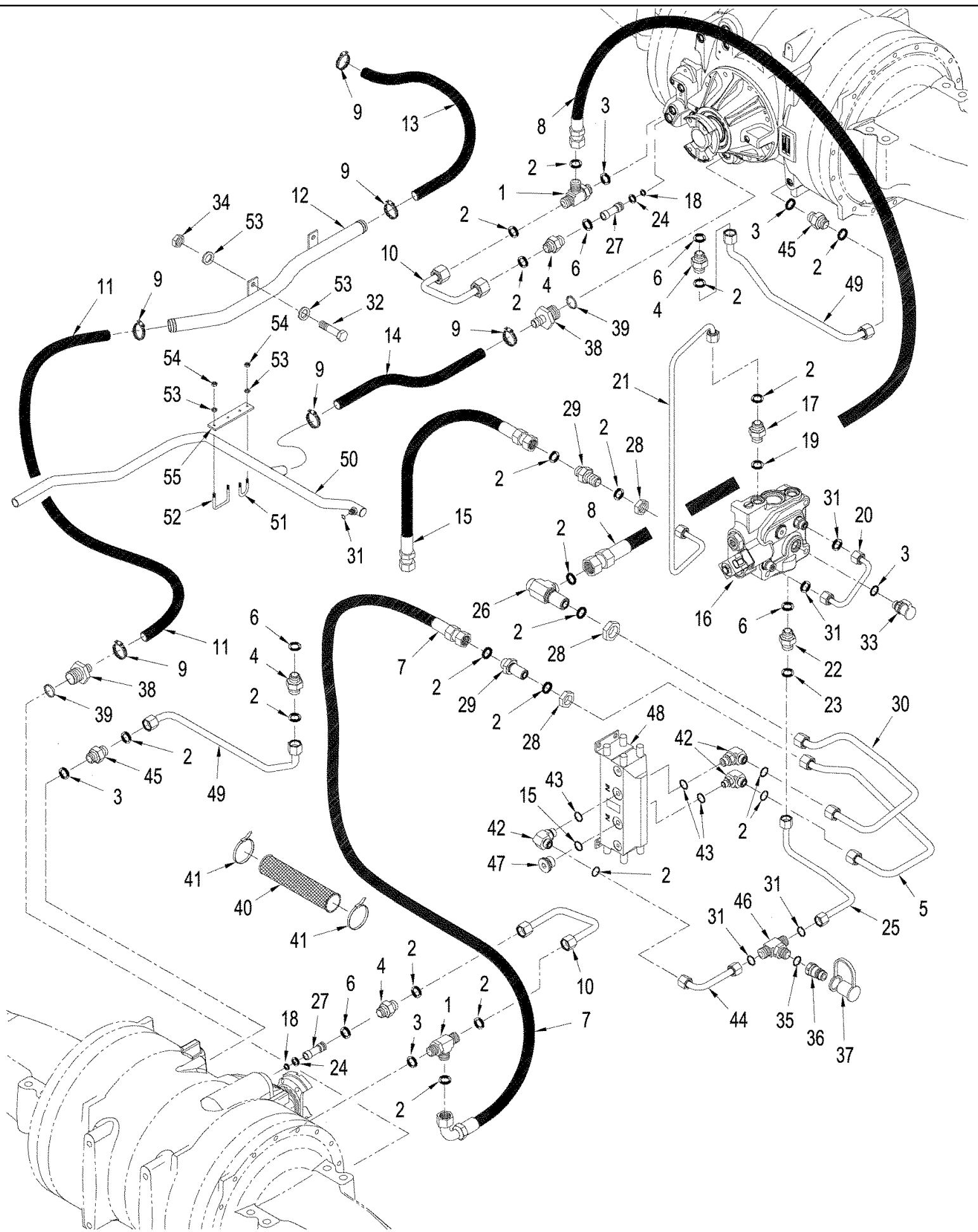
сылка	Номер детали	Кол-во	Описание
1	302557A2	2	SENDER UNIT, Temperature
2	87524848	1	HEAD, FILTER, Transmission Lubrication, LH
2	87524849	1	HEAD, FILTER, Axle Lubrication, RH
3	N6755	1	INDICATOR, Restriction, Inc. 4 - 8
4	129-667	2	NUT, #10-32, LH,
5	493-21020	1	WASHER, LOCK, Int Tooth, #10,
6	237-6006	1	O-RING, 6-1, 90 Duro, .468" ID x .078" Thk,
7	238-5011	1	O-RING, -011, 70 Duro, .301" ID x .070" Thk,
8	NSS	1	NOT SERVICED SEPARATELY, Switch, Indicator Restriction
9	1346028C1	1	ELEMENT, Inc. 10
10	1986552C2	1	O-RING,
11	50-3590T91	1	KIT, Check Valve, Outline



STX530 CASE IH 4WD TRACTOR (BTW Z6F100023 - Z6F105001)

08-05 OIL FILTER - MAIN HYDRAULIC (BELOW BATTERY)

сылка	Номер детали	Кол-во	Описание
1	86991559	1	FILTER ASSY., Main Hydraulic Oil, Inc. 2 - 12
2	87409342	1	HEAD, FILTER,
3	NSS	1	NOT SERVICED SEPARATELY, Valve, By-Pass
4	N6755	1	INDICATOR, Restriction, Inc. 5 - 9
5	NSS	1	NOT SERVICED SEPARATELY, Indicator
6	493-21020	1	WASHER, LOCK, Int Tooth, #10,
8	238-5011	1	O-RING, -011, 70 Duro, .301" ID x .070" Thk,
9	129-667	2	NUT, #10-32, LH,
10	87404986	1	FILTER, HYDRAULIC OIL, Inc. 11 & 12
11	NSS	1	NOT SERVICED SEPARATELY, Element
12	N9026	1	O-RING,
7	237-6006	1	O-RING, 6-1, 90 Duro, .468" ID x .078" Thk,

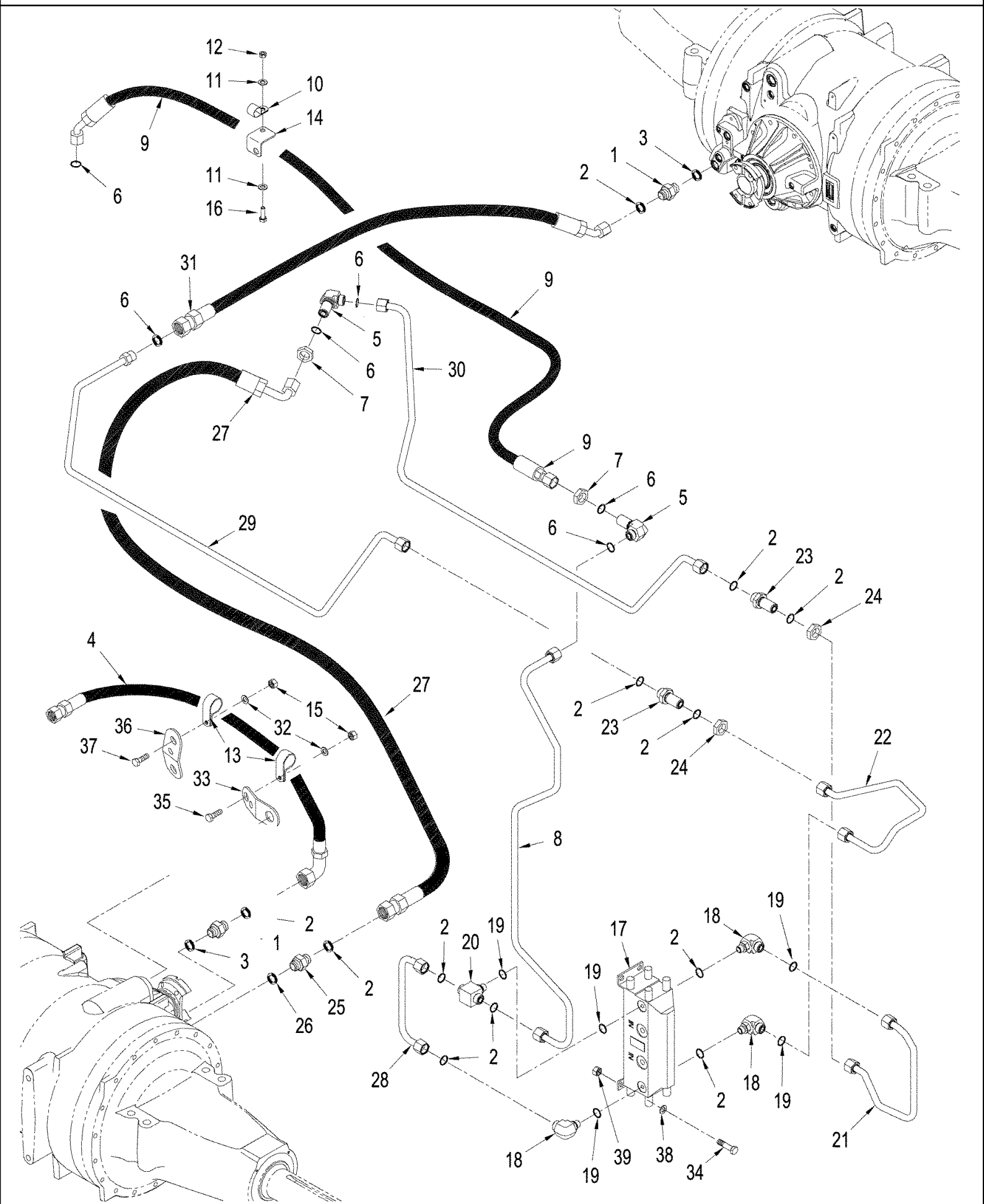


сылка	Номер детали	Кол-во	Описание
1	700-445	2	TEE, 13/16"-16 ORFS x M22 x 1.5 ORB Run, Inc. 2, 3
2	238-6014	15	O-RING, -014, 90 Duro, .489" ID x .070" Thk,
3	637-63193	5	O-RING, CI 6, 19.3MM ID x 2.2 Thk,
4	700-102	4	CONNECTOR, HYD., 13/16"-16 ORFS x M18 x 1.5 ORB, Inc. 2, 6
5	449815A2	1	TUBE ASSY.,
6	637-63153	3	O-RING, CI 6, 15.3MM ID x 2.2 Thk,
7	353607A3	1	HOSE ASSY., 2165 mm (85 in)
8	87413874	1	HOSE ASSY., 2483 mm (97-3/4 in)
9	214-1420	6	CLAMP, HOSE, #20, 0.81/1.75 Type F Worm,
10	451013A1	2	TUBE ASSY., Jumper
11	353649A1	1	HOSE, 1346 mm (53 in), Cut From : 31-2755
12	87376395	1	TUBE, HYD,
13	87390647	1	HOSE, Rerar Axle to Hydraulic Tank
14	395933A1	1	HOSE, 356 mm (14 in), Cut From : S118383
15	237-6012	1	O-RING, 12-1, 90 Duro, .924 ID x .118" Thk,
16	87672094	1	VALVE, Regulator, See Figure: 08-14
17	700-169	1	CONNECTOR, HYD., 13/16"-16 ORFS x M16 x 1.5 ORB, Inc. 2, 19
18	238-5011	2	O-RING, -011, 70 Duro, .301" ID x .070" Thk,
19	637-63133	1	O-RING, CI 6, 13.3MM ID x 2.2 Thk,
20	413338A1	1	TUBE ASSY., Jumper
21	449800A1	1	TUBE ASSY.,
22	700-102	1	CONNECTOR, HYD., 13/16"-16 ORFS x M18 x 1.5 ORB, Inc. 23, 24
23	238-6014	1	O-RING, -014, 90 Duro, .489" ID x .070" Thk,
24	238-5111	2	O-RING, -111, 70 Duro, .424" ID x .103" Thk,
25	87307521	1	TUBE ASSY.,
26	701-301	1	ELBOW, 90e, 13/16"-16, ORFS, Blkhd, Inc. 2
27	87400028	2	ORIFICE, Pinnion Cover
28	701-903	3	NUT, LOCK, 13/16"-16, ORFS Blkhd,
29	701-121	2	UNION, 13/16"-16 ORFS, Blkd, Inc. 2
30	449813A2	1	TUBE ASSY.,
31	238-6012	3	O-RING, -012, 90 Duro, .364" ID x .070" Thk,
32	627-8025	2	BOLT, Hex, M8 x 25, 10.9,
33	358968A1	1	COUPLING, M18 orb x 1,5, Diagnostic, Inc. 3
34	829-1408	6	NUT, M8, CI 10,
35	637-63153	1	O-RING, CI 6, 15.3MM ID x 2.2 Thk,
36	392690A1	1	COUPLING, Diagnostic
37	399032A1	1	CAP, Dust
38	390348A1	2	STEM, M33 orb x barb, Axle Drain, Inc. 39
39	637-64296	2	O-RING, CI 6, 29.6MM ID x 2.9 Thk,
40	334783A1	1	SLEEVE,
41	L18331	2	STRAP, CABLE, Tie
42	201-305	4	ELBOW, 90e, 13/16"-18 x 3/4"-18 Adj, ORFS, Incl. 43, 2
44	87307544	1	TUBE ASSY.,
43	637-63093	1	O-RING, CI 6, 9.3MM ID x 2.2 Thk,
45	700-162	2	CONNECTOR, HYD., 13/16"-16 ORFS x M22 x 1.5 ORB, Inc. 2, 3

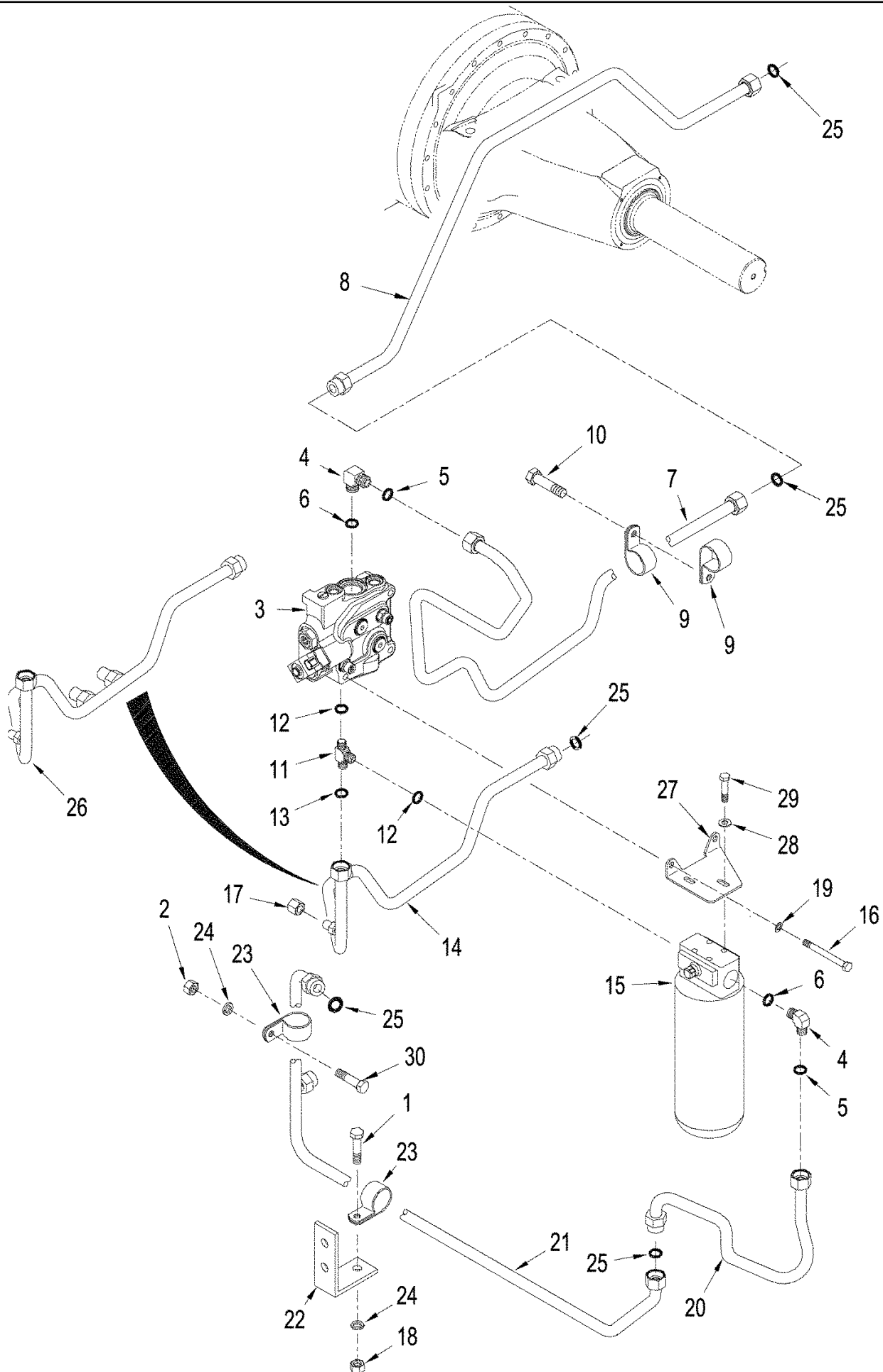
STX530 CASE IH 4WD TRACTOR (BTW Z6F100023 - Z6F105001)

08-08 500 SERIES AXLE HYDRAULICS - LUBRICATION CIRCUIT, WHEEL TRACTOR

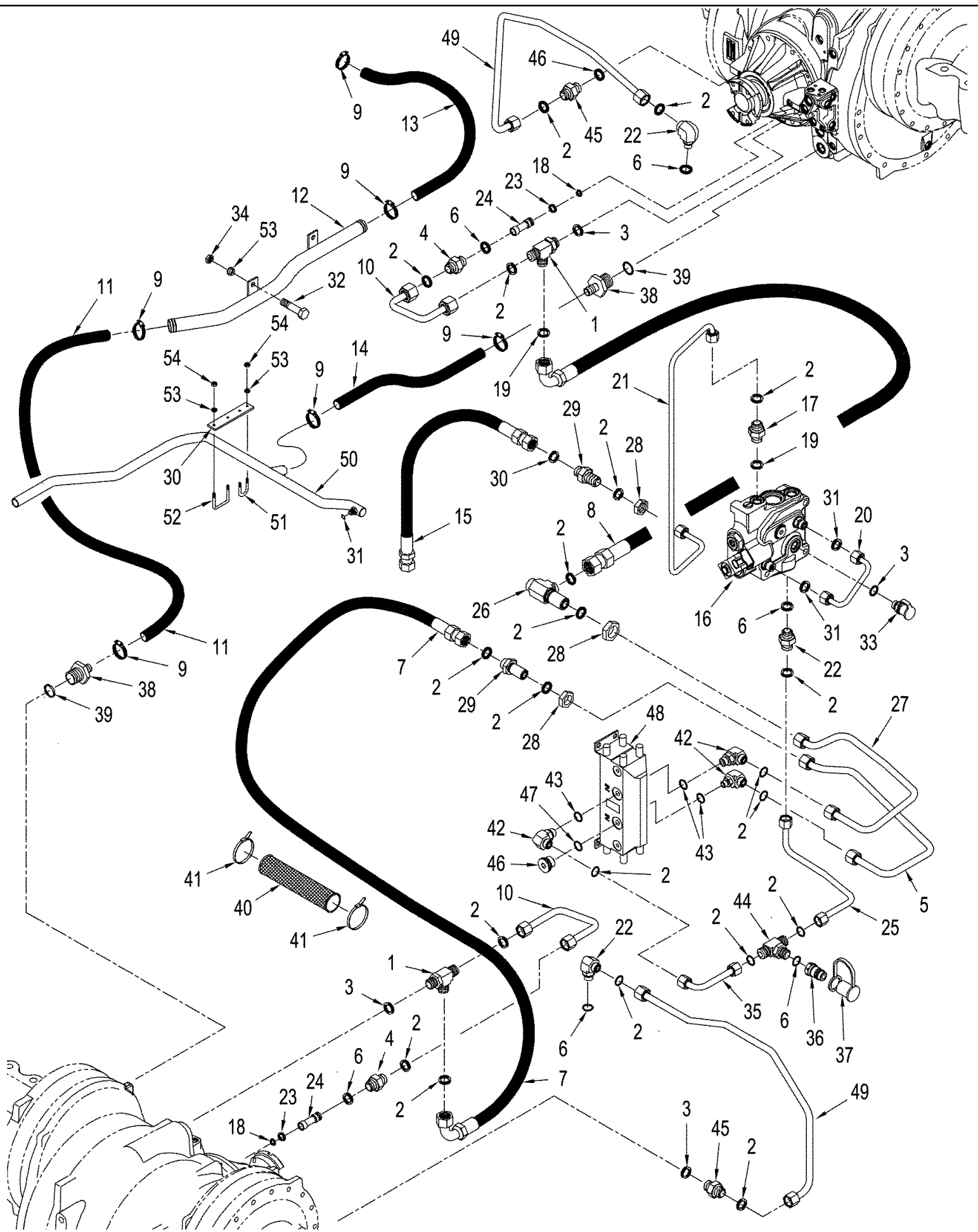
сылка	Номер детали	Кол-во	Описание
46	700-447	1	TEE, 13/16"-16 ORFS x M22 x 1.5 ORB Br, Inc. 2
47	71100209	1	PLUG, Hex Soc, 3/4"-16 ORB, Inc. 56
48	434727A1	1	MOTOR-PUMP, Axle Air / Lube
49	87400024	2	TUBE ASSY., Final Drive, Long
50	409614A1	1	TUBE ASSY., Return
51	253105A1	2	U-BOLT,
52	396490A1	2	U-BOLT,
53	895-11008	16	WASHER, M8 x 16 x 1.6,
54	832-10408	8	NUT, LOCK, M8 x 1.25, Cl 8,
55	87535336	2	BRACKET, Tube Mounting



сылка	Номер детали	Кол-во	Описание
1	700-102	2	CONNECTOR, HYD., 13/16"-16 ORFS x M18 x 1.5 ORB, Inc. 2, 3
2	238-6014	12	O-RING, -014, 90 Duro, .489" ID x .070" Thk,
3	637-63153	1	O-RING, CI 6, 15.3MM ID x 2.2 Thk,
4	436864A1	1	HOSE ASSY., 533 mm (21")
5	701-301	2	ELBOW, 90е, 13/16"-16, ORFS, Blkhd, Inc. 6, 7
6	238-6014	3	O-RING, -014, 90 Duro, .489" ID x .070" Thk,
7	701-903	1	NUT, LOCK, 13/16"-16, ORFS Blkhd,
8	87381645	1	TUBE, Air Supply, Motor Pump
9	86992953	1	HOSE ASSY., 1715 mm (67-1/2 in)
10	515-23206	3	CLAMP, 13/16", Insul, 3/8" Bolt,
11	895-11008	2	WASHER, M8 x 16 x 1.6,
12	829-1408	2	NUT, M8, CI 10,
13	515-23190	2	CLAMP, 3/4", Insul, 3/8" Bolt, P-type
14	416102A1	1	SUPPORT, Bracket
15	829-1408	7	NUT, M8, CI 10,
16	627-8025	1	BOLT, Hex, M8 x 25, 10.9,
17	434727A1	2	MOTOR-PUMP, Axle Air / Lube
18	201-332	3	ELBOW, 90е, 13/16"-16 x 9/16"-18, Adj, ORFS, Inc. 2, 19
19	637-63093	3	O-RING, CI 6, 9.3MM ID x 2.2 Thk,
20	87323932	1	FITTING, Special, 1/2 or x fc sl, Inc. 2, 19
21	449817A2	1	TUBE ASSY.,
22	86992542	1	TUBE ASSY.,
23	701-121	2	UNION, 13/16"-16 ORFS, Blkd, Inc. 2
24	701-903	2	NUT, LOCK, 13/16"-16, ORFS Blkhd,
25	700-162	1	CONNECTOR, HYD., 13/16"-16 ORFS x M22 x 1.5 ORB, Inc. 2, 26
26	637-63193	1	O-RING, CI 6, 19.3MM ID x 2.2 Thk,
27	87400117	1	HOSE ASSY., 2299 mm (90-1/2 in), Used On Applications Without PTO
28	449825A1	1	TUBE ASSY., Air Lube
29	449794A1	1	TUBE ASSY., Return, Charged Pressure
30	449823A1	1	TUBE ASSY.,
31	86993937	4	HOSE ASSY., 1194 mm (47 in)
32	895-11008	4	WASHER, M8 x 16 x 1.6,
33	417271A1	1	BRACKET,
34	627-10030	4	BOLT, Hex, M10 x 30, 10.9, Full Thd,
35	613-8020	1	BOLT, Hex, M8 x 20, 8.8, Full Thd,
36	417272A1	1	BRACKET,
37	627-8030	1	BOLT, Hex, M8 x 30, 10.9,
38	896-11010	4	WASHER, M10 x 21.5 x 2.5, HT,
39	829-1310	4	NUT, M10, CI 10,



сылка	Номер детали	Кол-во	Описание
1	627-8025	4	BOLT, Hex, M8 x 25, 10.9,
2	829-1408	3	NUT, M8, CI 10,
3	87672094	1	VALVE, Regulator, See Figure: 08-14
4	700-308	2	ELBOW, 90°, 1 7/16"-12 ORFS x M33 x 2 ORB, Inc. 18, 19
5	238-6021	2	O-RING, -021, 90 Duro, .926" ID x .070" Thk,
6	637-64296	2	O-RING, CI 6, 29.6MM ID x 2.9 Thk,
7	418818A1	1	TUBE ASSY.,
8	87439123	1	TUBE,
9	R15257	2	CLAMP,
10	827-8040	2	BOLT, Hex, M8 x 40, 10.9,
11	328232A1	1	TEE, Inc. 12 & 13
12	637-64296	2	O-RING, CI 6, 29.6MM ID x 2.9 Thk,
13	238-6021	1	O-RING, -021, 90 Duro, .926" ID x .070" Thk,
14	87310970	1	TUBE, HYD, Pump Supply
15	86991559	1	FILTER ASSY., Main Hydraulic (Below Battery), See Figure: 08-05
16	827-10150	3	BOLT, Hex, M10 x 150, 10.9,
17	701-906	1	CAP, 1"-14 ORFS, , With Electronic Three Point Hitch
18	832-10408	2	NUT, LOCK, M8 x 1.25, CI 8,
19	895-18010	2	WASHER, M10 x 18 x 1.6,
20	418820A1	1	TUBE ASSY.,
21	416708A1	1	TUBE ASSY.,
22	451507A1	2	BRACKET,
23	515-22254	3	CLAMP, 1", Insul, 5/16" Bolt,
24	895-11008	3	WASHER, M8 x 16 x 1.6,
25	238-6021	5	O-RING, -021, 90 Duro, .926" ID x .070" Thk,
26	418816A2	1	TUBE ASSY., Pump Supply, with Mega Flow Hydraulic Application
27	413322A1	1	BRACKET, Mounting, Main Hydraulic Filter
28	895-18010	4	WASHER, M10 x 18 x 1.6,
29	627-10020	4	BOLT, Hex, M10 x 20, 10.9, Full Thd,
30	627-8030	1	BOLT, Hex, M8 x 30, 10.9,

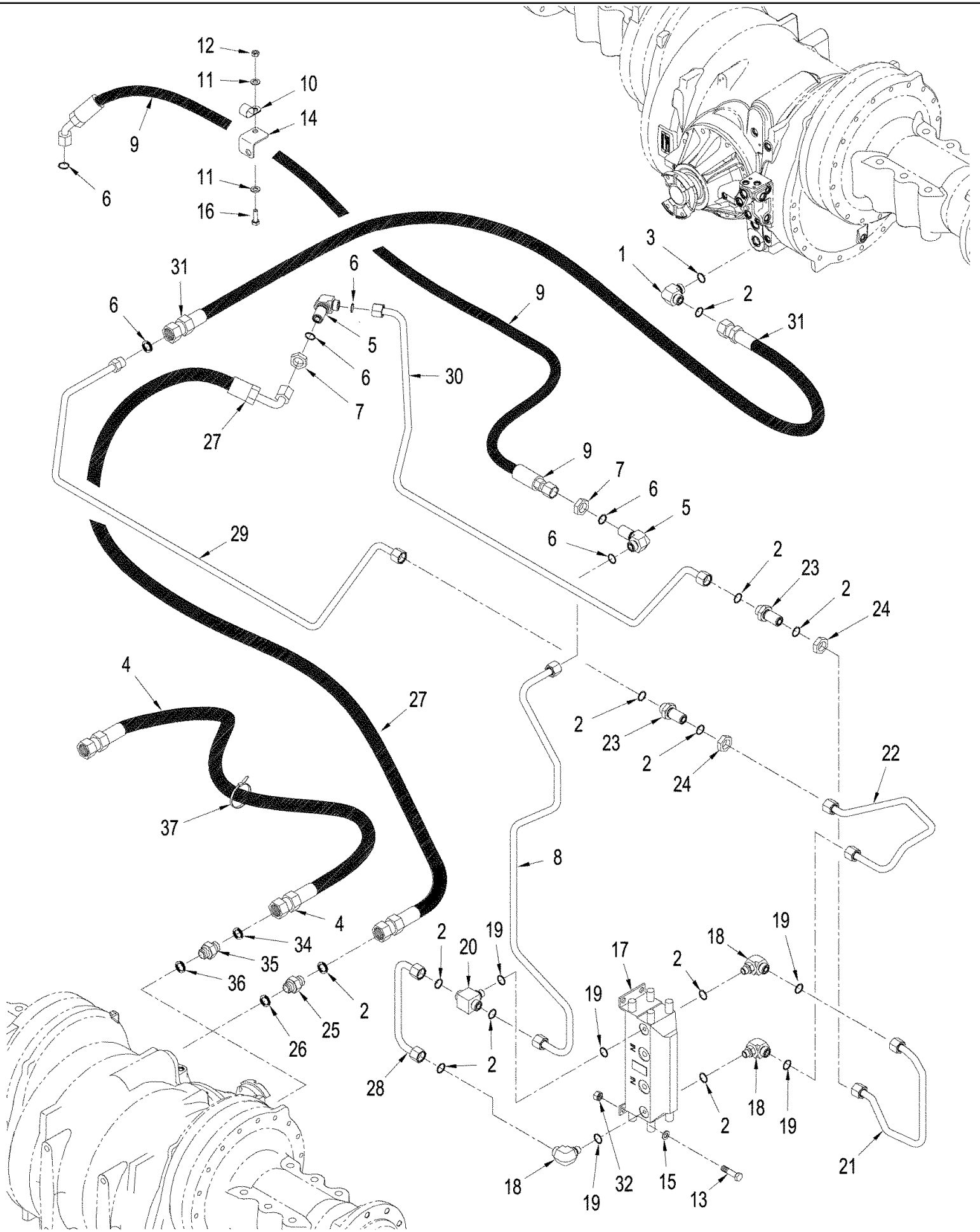


сылка	Номер детали	Кол-во	Описание
1	700-445	2	TEE, 13/16"-16 ORFS x M22 x 1.5 ORB Run, Inc 2, 3
2	238-6014	14	O-RING, -014, 90 Duro, .489" ID x .070" Thk,
3	637-63193	4	O-RING, CI 6, 19.3MM ID x 2.2 Thk,
4	700-102	3	CONNECTOR, HYD., 13/16"-16 ORFS x M18 x 1.5 ORB, Inc. 2, 6
5	449815A2	1	TUBE ASSY.,
6	637-63153	4	O-RING, CI 6, 15.3MM ID x 2.2 Thk,
7	375663A1	1	HOSE ASSY., 2165 mm (85 in)
7	87424325	1	HOSE ASSY., 2165 mm (85"), Arctic QUADTRAC Tractor Application
8	87413873	1	HOSE ASSY., 1898mm (75 in)
9	214-1420	6	CLAMP, HOSE, #20, 0.81/1.75 Type F Worm,
10	451013A1	2	TUBE ASSY.,
11	340971A1	1	HOSE, 1219 mm (48 in), Cut From : 31-2755
12	87388066	1	TUBE, HYD,
13	87390647	1	HOSE,
14	395933A1	1	HOSE, 356 mm (14 in), Cut From : S118383
15	87414080	1	HOSE ASSY., 970 mm (39 in)
15	87424331	1	HOSE ASSY., 990 mm (39"), Arctic QUADTRAC Tractor Application
16	87672094	1	VALVE, Regulator, See Figure: 08-14
17	700-169	1	CONNECTOR, HYD., 13/16"-16 ORFS x M16 x 1.5 ORB, Inc. 2, 19
18	238-5011	2	O-RING, -011, 70 Duro, .301" ID x .070" Thk,
19	637-63133	1	O-RING, CI 6, 13.3MM ID x 2.2 Thk,
20	413338A1	1	TUBE ASSY.,
21	449800A1	1	TUBE ASSY.,
22	700-305	1	ELBOW, 90e, 13/16"-18 ORFS x M18 x 1.5 ORB, Inc. 2, 6
23	238-5111	2	O-RING, -111, 70 Duro, .424" ID x .103" Thk,
24	87400028	2	ORIFICE, Pinnion Cover
25	87307521	1	TUBE ASSY.,
26	701-301	1	ELBOW, 90e, 13/16"-16, ORFS, Blkhd, Inc. 2
27	449813A2	1	TUBE ASSY.,
28	701-903	3	NUT, LOCK, 13/16"-16, ORFS Blkhd,
29	701-121	2	UNION, 13/16"-16 ORFS, Blkd, Inc. 2
30	394302A1	2	PLATE, Mounting
31	238-6012	3	O-RING, -012, 90 Duro, .364" ID x .070" Thk,
32	627-8025	2	BOLT, Hex, M8 x 25, 10.9,
33	358968A1	1	COUPLING, M18 orb x 1,5, Diagnostic, Inc. 3
34	829-1408	4	NUT, M8, CI 10,
35	87307544	1	TUBE ASSY.,
36	392690A1	1	COUPLING, Inc. 35
37	399032A1	1	CAP, Dust
38	390348A1	2	STEM, M33 orb x barb, Axle Drain, Inc. 39
39	637-64296	2	O-RING, CI 6, 29.6MM ID x 2.9 Thk,
40	334783A1	1	SLEEVE,
41	L18331	2	STRAP, CABLE, 15 in
42	201-305	4	ELBOW, 90e, 13/16"-18 x 3/4"-18 Adj, ORFS, 90, 1/2 or x 13/16 fc sl, Incl. 43, 2
43	637-63093	1	O-RING, CI 6, 9.3MM ID x 2.2 Thk,

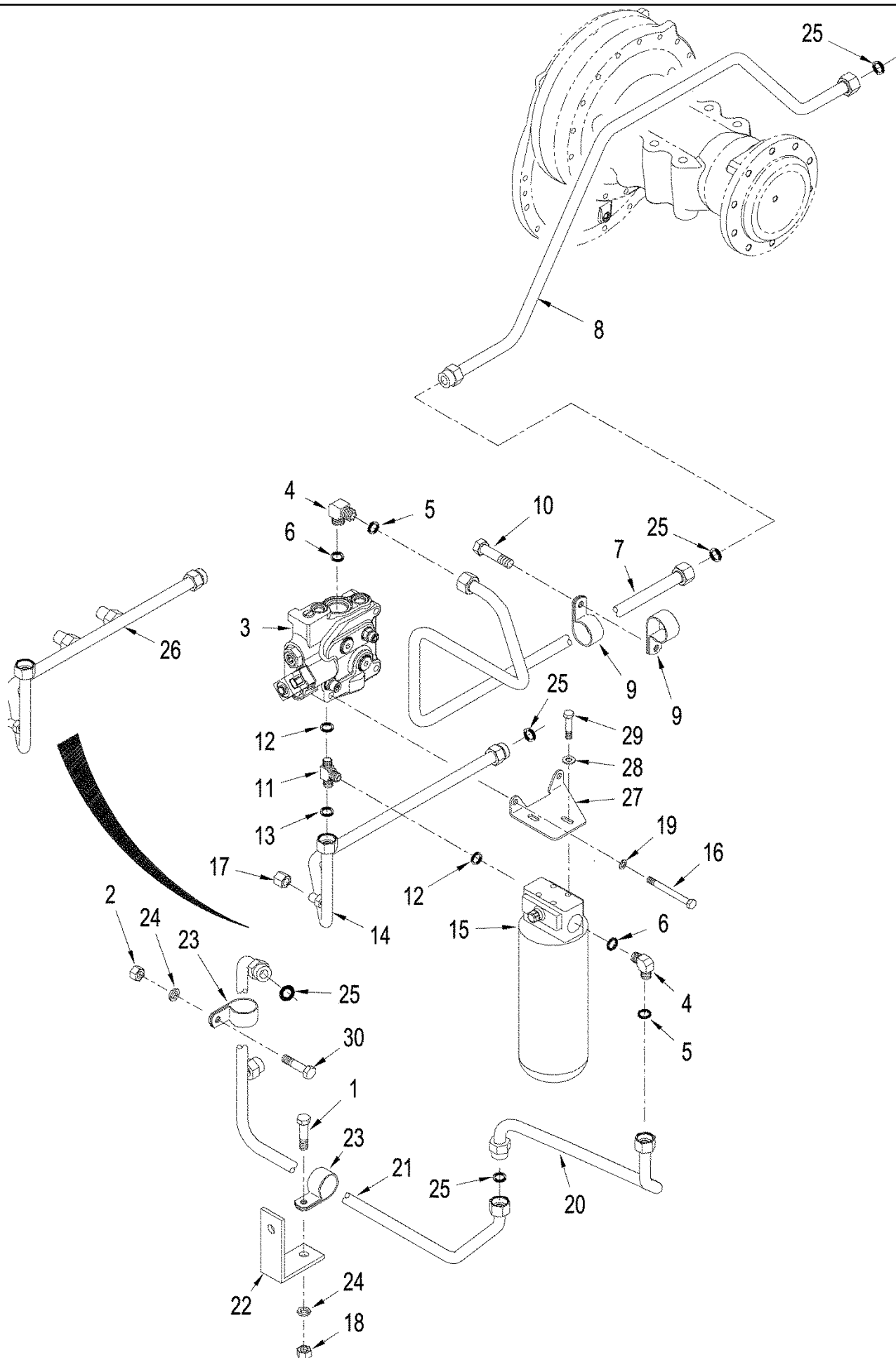
STX530 CASE IH 4WD TRACTOR (BTW Z6F100023 - Z6F105001)

08-11 500 SERIES AXLE HYDRAULICS - LUBRICATION CIRCUIT, QUADTRAC TRACTOR

сылка	Номер детали	Кол-во	Описание
44	700-447	1	TEE, 13/16"-16 ORFS x M22 x 1.5 ORB Br, Inc. 2, 6
45	700-162	2	CONNECTOR, HYD., 13/16"-16 ORFS x M22 x 1.5 ORB, Inc. 2, 3
46	71100209	1	PLUG, Hex Soc, 3/4"-16 ORB, Includes 47
47	237-6012	1	O-RING, 12-1, 90 Duro, .924 ID x .118" Thk,
48	434727A1	1	MOTOR-PUMP, Axle Air / Lube
49	451015A1	2	TUBE ASSY., Final Drive, Long
50	409614A1	1	TUBE ASSY., Return
51	253105A1	2	U-BOLT,
52	396490A1	2	U-BOLT,
53	895-11008	12	WASHER, M8 x 16 x 1.6,
54	832-10408	8	NUT, LOCK, M8 x 1.25, Cl 8,

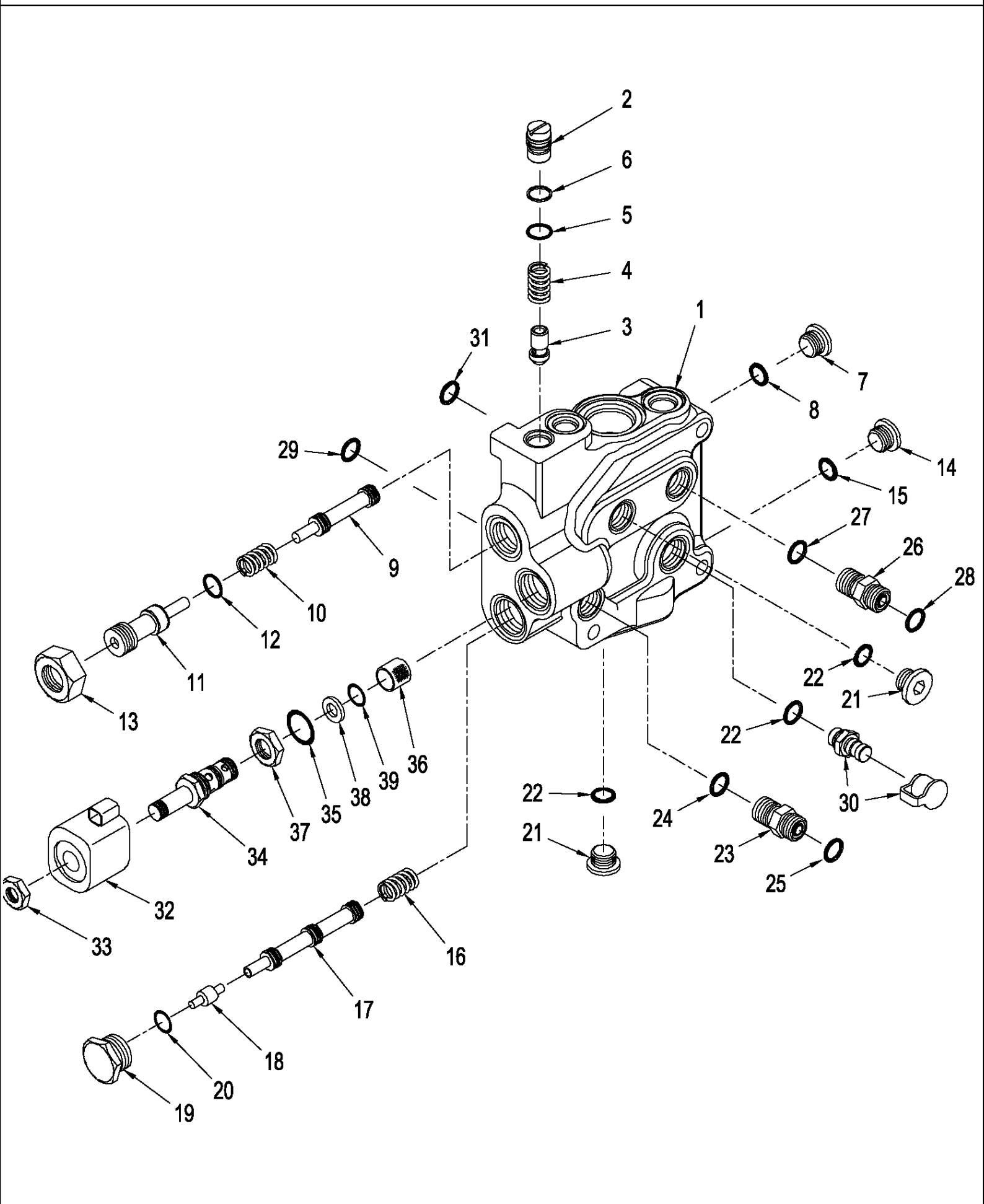


сылка	Номер детали	Кол-во	Описание
1	700-326	1	ELBOW, 90°, 13/16"-18 ORFS x M22 x 1.5 ORB, Incl. 2, 3
2	238-6014	2	O-RING, -014, 90 Duro, .489" ID x .070" Thk,
3	637-63193	1	O-RING, CI 6, 19.3MM ID x 2.2 Thk,
4	437144A1	1	HOSE ASSY., 1733 mm (68 in)
4	87424329	1	HOSE ASSY., 1733 mm (68"), Arctic QUADTRAC Tractor Application
5	701-301	2	ELBOW, 90°, 13/16"-16, ORFS, Blkhd, Inc. 6, 7
6	238-6014	3	O-RING, -014, 90 Duro, .489" ID x .070" Thk,
7	701-903	1	NUT, LOCK, 13/16"-16, ORFS Blkhd,
8	87381645	1	TUBE, Air Supply, Pump Motor
9	86992953	1	HOSE ASSY., 1715 mm (67-1/2")
9	87424333	1	HOSE ASSY., 1715 mm (67-1/2"), Arctic QUADTRAC Tractor Application
10	515-23206	3	CLAMP, 13/16", Insul, 3/8" Bolt,
11	895-11008	1	WASHER, M8 x 16 x 1.6,
12	829-1408	1	NUT, M8, CI 10,
13	627-10030	4	BOLT, Hex, M10 x 30, 10.9, Full Thd,
14	416102A1	1	SUPPORT, Bracket
15	896-11010	4	WASHER, M10 x 21.5 x 2.5, HT,
17	434727A1	2	MOTOR-PUMP, Axle Air / Lube
16	627-8025	1	BOLT, Hex, M8 x 25, 10.9,
18	201-332	3	ELBOW, 90°, 13/16"-16 x 9/16"-18, Adj, ORFS, Inc. 2, 19
19	637-63093	3	O-RING, CI 6, 9.3MM ID x 2.2 Thk,
20	87323932	1	FITTING, Tee, 1/2 or x fc sl, Inc. 2, 19
21	449817A2	1	TUBE ASSY.,
22	86992542	1	TUBE ASSY.,
23	701-121	2	UNION, 13/16"-16 ORFS, Blkd, Inc. 2
24	701-903	2	NUT, LOCK, 13/16"-16, ORFS Blkhd,
25	700-162	1	CONNECTOR, HYD., 13/16"-16 ORFS x M22 x 1.5 ORB, Inc. 2, 26
26	637-63193	1	O-RING, CI 6, 19.3MM ID x 2.2 Thk,
27	87400117	1	HOSE ASSY., 2299 mm (90-1/2 in), Used On Applications Without PTO
28	449794A1	1	TUBE ASSY.,
29	449825A1	1	TUBE ASSY., Air Lube
30	449823A1	1	TUBE ASSY., Return, Charged Pressure
31	449805A1	4	HOSE ASSY., 2413 mm (95 in)
31	87424330	1	HOSE ASSY., 2413 mm (95"), Arctic QUADTRAC Tractor Application
32	829-1410	4	NUT, M10, CI 10,
34	238-6014	1	O-RING, -014, 90 Duro, .489" ID x .070" Thk,
35	700-102	2	CONNECTOR, HYD., 13/16"-16 ORFS x M18 x 1.5 ORB, Inc. 34, 36
36	637-63153	1	O-RING, CI 6, 15.3MM ID x 2.2 Thk,
37	L18331	1	STRAP, CABLE,



сылка	Номер детали	Кол-во	Описание
1	627-8025	4	BOLT, Hex, M8 x 25, 10.9,
2	829-1408	3	NUT, M8, CI 10,
3	87672094	1	VALVE, Regulator, See Figure: 08-14
4	700-308	2	ELBOW, 90°, 1 7/16"-12 ORFS x M33 x 2 ORB, Inc. 18, 19
5	238-6021	2	O-RING, -021, 90 Duro, .926" ID x .070" Thk,
6	637-64296	2	O-RING, CI 6, 29.6MM ID x 2.9 Thk,
7	87385954	1	TUBE, HYD,
8	87439123	1	TUBE,
9	R15257	2	CLAMP,
10	827-8040	2	BOLT, Hex, M8 x 40, 10.9,
11	328232A1	1	TEE,
12	637-64296	2	O-RING, CI 6, 29.6MM ID x 2.9 Thk,
13	238-6021	1	O-RING, -021, 90 Duro, .926" ID x .070" Thk,
14	416703A1	1	TUBE ASSY., Pump Supply
15	86991559	1	FILTER ASSY., Main Hydraulic (Below Battery), See Figure: 08-05
16	827-10150	3	BOLT, Hex, M10 x 150, 10.9,
17	701-906	1	CAP, 1"-14 ORFS, , With Electronic Three Point Hitch
18	832-10406	2	NUT, LOCK, M6 x 1, CI 8,
19	895-18010	4	WASHER, M10 x 18 x 1.6,
20	416699A2	1	TUBE ASSY.,
21	416708A1	1	TUBE ASSY.,
22	451507A1	2	BRACKET, Mounting
23	515-22254	3	CLAMP, 1", Insul, 5/16" Bolt,
24	895-11008	3	WASHER, M8 x 16 x 1.6,
25	238-6021	5	O-RING, -021, 90 Duro, .926" ID x .070" Thk,
26	87311041	1	TUBE, HYD, Pump Supply, with Mega Flow Hydraulic Application
27	413322A1	1	BRACKET, Mounting, Main Hydraulic Filter (Below Battery)
28	895-18010	4	WASHER, M10 x 18 x 1.6,
29	627-10020	4	BOLT, Hex, M10 x 20, 10.9, Full Thd,
30	627-8030	1	BOLT, Hex, M8 x 30, 10.9,

08-14 REGULATOR VALVE ASSEMBLY

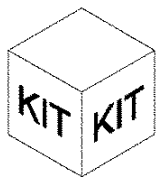
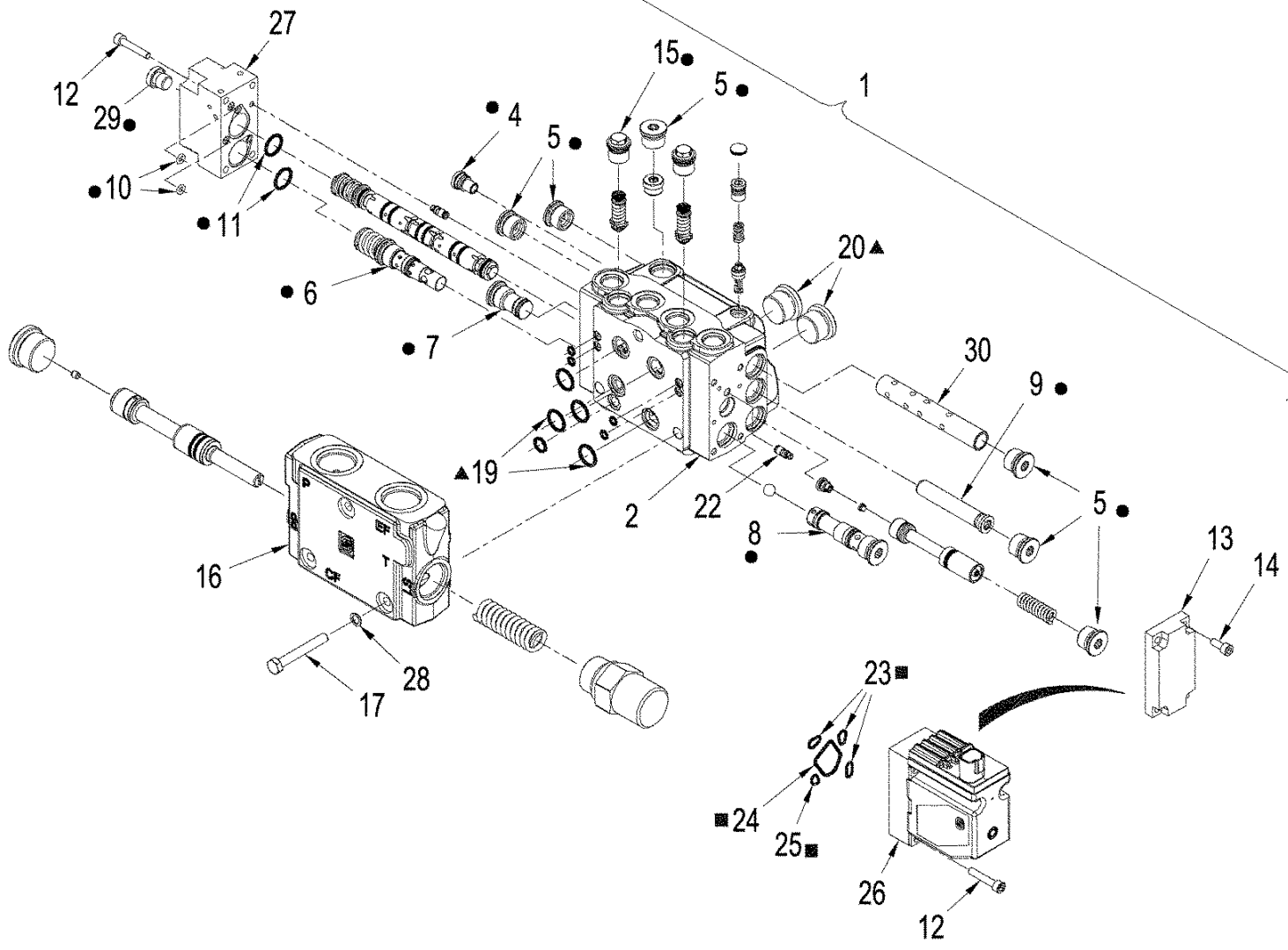


STX530 CASE IH 4WD TRACTOR (BTW Z6F100023 - Z6F105001)

08-14 REGULATOR VALVE ASSEMBLY

сылка	Номер детали	Кол-во	Описание
	87672094	1	VALVE, Regulator, Inc. 1 - 36
1	NSS	1	NOT SERVICED SEPARATELY, Body
	1542563C1	1	VALVE, CHECK, Logic, Inc. 2 - 6
2	1994580C1	1	PLUG,
3	1543329C1	1	POPPET, VALVE,
4	1994581C1	1	SPRING, Check Valve
5	238-6015	1	O-RING, -015, 90 Duro, .551" ID x .070" Thk,
6	G108723	1	RING, Retaining
7	221579A1	1	PLUG, Hex Soc, M22 x 1.5, ORB, M22 - 1,5, Inc. 8
8	637-63193	1	O-RING, CI 6, 19.3MM ID x 2.2 Thk,
9	87613378	1	SPOOL, Regulator
10	176312A1	1	SPRING, Regulator
11	313941A1	1	PLUG, Adjusting
12	237-6012	1	O-RING, 12-1, 90 Duro, .924 ID x .118" Thk,
13	218-1280	1	NUT, LOCK, Blkhd, 1 1/16"-12,
	344573A1	1	PLUG, Lube Special, Inc. 14 - 15
14	NSS	1	NOT SERVICED SEPARATELY, Plug, Adjusting
15	637-63193	1	O-RING, CI 6, 19.3MM ID x 2.2 Thk,
16	330105A1	1	SPRING, Lube Regulator
17	87668085	1	SPOOL, Lube Regulator
18	330104A1	1	PIN, Adjusting
19	9841223	1	PLUG, Hex Soc, 1 1/16"-12 ORB, Incl. 20
21	221578A1	2	PLUG, Hex Soc, M18 x 1.5, ORB, Inc. 22
22	637-63153	2	O-RING, CI 6, 15.3MM ID x 2.2 Thk,
	339487A2	1	CONNECTOR, HYD., Orificed, Inc. 23 - 25
23	NSS	1	NOT SERVICED SEPARATELY, Adapter, 11/16 fc sl x 14 orb
24	637-63113	1	O-RING, CI 6, 11.3MM ID x 2.2 Thk,
25	238-6012	1	O-RING, -012, 90 Duro, .364" ID x .070" Thk,
26	700-101	1	CONNECTOR, HYD., 11/16"-16 ORFS x M14 x 1.5 ORB, Incl. 27, 28
27	238-6014	1	O-RING, -014, 90 Duro, .489" ID x .070" Thk,
28	238-6012	1	O-RING, -012, 90 Duro, .364" ID x .070" Thk,
29	238-6118	1	O-RING, -118, 90 Duro, .862" ID x .103" Thk,
30	358968A1	1	COUPLING, Diagonstic, Inc. 22
31	238-6112	2	O-RING, -112, 90 Duro, .487" ID x .103" Thk,
	87330331	1	VALVE, SOLENOID, Assy., Inc. 32 - 39
32	298614A1	1	SOLENOID,
33	NSS	1	NOT SERVICED SEPARATELY, Nut, Jam
34	NSS	1	NOT SERVICED SEPARATELY, Valve, Cartridge, 2 gpm
35	237-6012	1	O-RING, 12-1, 90 Duro, .924 ID x .118" Thk,
36	NSS	1	NOT SERVICED SEPARATELY, Filter, Screen
37	87330336	1	SOLENOID, Jam Nut
38	G35540	1	RING, Backup
39	238-6018	1	O-RING, -018, 90 Duro, .739" ID x .070" Thk,
20	237-6006	1	O-RING, 6-1, 90 Duro, .468" ID x .078" Thk,

08-15 PRIORITY / STEERING CONTROL VALVE

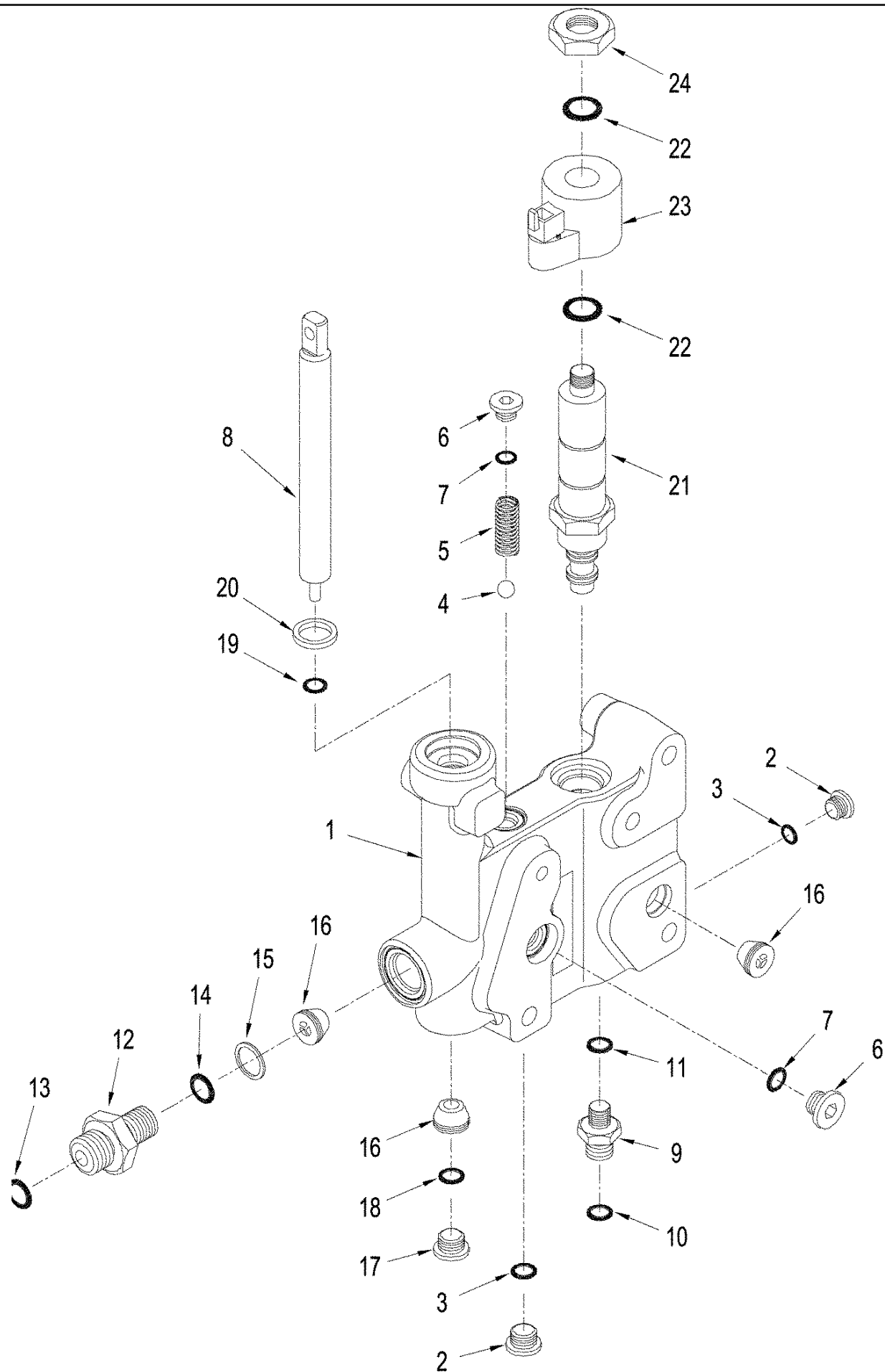


- = 3
- ▲ = 18
- = 21

08-15 PRIORITY / STEERING CONTROL VALVE

сылка	Номер детали	Кол-во	Описание
1	87442925	1	VALVE, CONTROL, Priority / EHPS, Inc. 2 - 20, BSN Z7F105376
1	87585897	1	VALVE, HYDRAULIC, Priority / EHPS, Inc. 2 - 20, ASN Z7F105376
1	87436468	1	VALVE, CONTROL, Priority / EHPS, Inc. 2 - 26, Used with ACCUGUIDE Applications., BSN Z7F10539
	87585898	1	VALVE, HYDRAULIC, Priority / EHPS, Inc. 2 - 26, Used with ACCUGUIDE Applications., ASN Z7F105391
2	NSS	1	NOT SERVICED SEPARATELY, Housing, Steering Valve
3	87397327	1	KIT, SEALS, EHPS
4	NSS	1	NOT SERVICED SEPARATELY, Plug, w/ O-Ring
5	NSS	6	NOT SERVICED SEPARATELY, Plug, w/ O-Ring
6	NSS	1	NOT SERVICED SEPARATELY, Bushing, w/ O-Ring
7	NSS	1	NOT SERVICED SEPARATELY, Plug, w/ O-Ring
8	NSS	1	NOT SERVICED SEPARATELY, Plug, w/ O-Ring
9	NSS	1	NOT SERVICED SEPARATELY, Plug, w/ O-Ring
10	NSS	5	NOT SERVICED SEPARATELY, O-Ring
11	NSS	4	NOT SERVICED SEPARATELY, O-Ring
12	NSS	AR	NOT SERVICED SEPARATELY, Screw
13	NSS	1	NOT SERVICED SEPARATELY, Cover
14	NSS	4	NOT SERVICED SEPARATELY, Screw
15	NSS	2	NOT SERVICED SEPARATELY, Plug, w/ O-Ring
16	NSS	1	NOT SERVICED SEPARATELY, Housing, Priority Valve
17	NSS	3	NOT SERVICED SEPARATELY, Bolt
18	87397328	1	KIT, SEALS, OLS Priority Valve
19	NSS	2	NOT SERVICED SEPARATELY, O-Ring
20	NSS	2	NOT SERVICED SEPARATELY, Plug, w/ O-Ring
21	87397329	1	KIT, SEALS, PVE, Used with ACCUGUIDE Applications.
22	87540544	2	VALVE, Shuttle, Used with ACCUGUIDE Applications.
23	NSS	3	NOT SERVICED SEPARATELY, O-Ring, Used with ACCUGUIDE Applications.
24	NSS	1	NOT SERVICED SEPARATELY, O-Ring, Used with ACCUGUIDE Applications.
25	NSS	1	NOT SERVICED SEPARATELY, O-Ring, Used with ACCUGUIDE Applications.
26	NSS	1	NOT SERVICED SEPARATELY, Solenoid, PVEH, Used with ACCUGUIDE Applications.
27	NSS	1	NOT SERVICED SEPARATELY, Cover
28	NSS	3	NOT SERVICED SEPARATELY, Washer
29	NSS	1	NOT SERVICED SEPARATELY, Plug, w/ O-Ring
30	87637887	1	KIT, Steering

08-16 TOW BLOCK VALVE ASSEMBLY

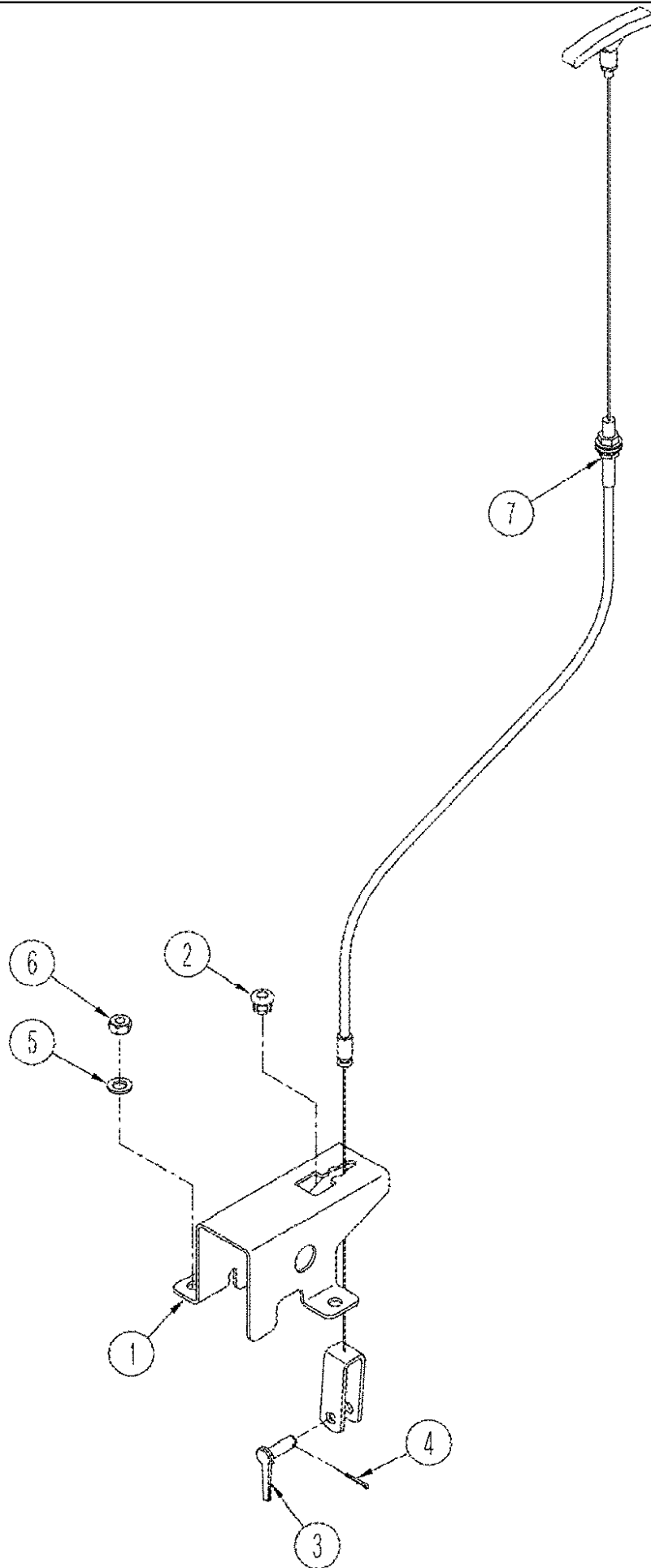


STX530 CASE IH 4WD TRACTOR (BTW Z6F100023 - Z6F105001)

08-16 TOW BLOCK VALVE ASSEMBLY

сылка	Номер детали	Кол-во	Описание
	87679712	1	VALVE, Tow Block, Inc. 1 - 24
1	NSS	1	NOT SERVICED SEPARATELY, Body
2	86598044	2	PLUG, Inc. 3
3	637-63113	3	O-RING, CI 6, 11.3MM ID x 2.2 Thk,
4	511-1060	1	BALL, 6mm Dia,
5	352025A1	1	SPRING, Brake
6	86598043	2	PLUG, Hex Soc, M12 x 1.5, ORB, Inc. 7
7	637-63093	2	O-RING, CI 6, 9.3MM ID x 2.2 Thk,
8	326300A1	1	SPOOL, Manual Pump
9	282839A1	1	PLUG, Inc. 10, 11
10	238-6012	1	O-RING, -012, 90 Duro, .364" ID x .070" Thk,
11	637-63153	1	O-RING, CI 6, 15.3MM ID x 2.2 Thk,
12	86579678	1	CONNECTOR, HYD., 13/16"-16 ORFS x M22 x 1.5 ORB, Inc. 13, 14
13	238-6014	1	O-RING, -014, 90 Duro, .489" ID x .070" Thk,
14	637-63193	1	O-RING, CI 6, 19.3MM ID x 2.2 Thk,
15	86637953	1	WASHER, 11/32" x 11/16" x 0.89", HDN,
16	1994615C2	3	VALVE, CHECK,
17	86598047	1	PLUG, Inc. 18
18	637-63193	1	O-RING, CI 6, 19.3MM ID x 2.2 Thk,
19	238-5208	1	O-RING, -208, 70 Duro, .609" ID x .139" Thk,
20	A63399	1	SEAL, Oil Sensing
	87675608	1	SOLENOID, Inc. 21 - 24
21	NSS	1	NOT SERVICED SEPARATELY, Solenoid
22	238-7115	2	O-RING, -115, CI 7, .674" ID x .103" Thk,
23	NSS	1	NOT SERVICED SEPARATELY, Coil
24	252462A2	1	NUT,

08-17 CABLE - TOW VALVE

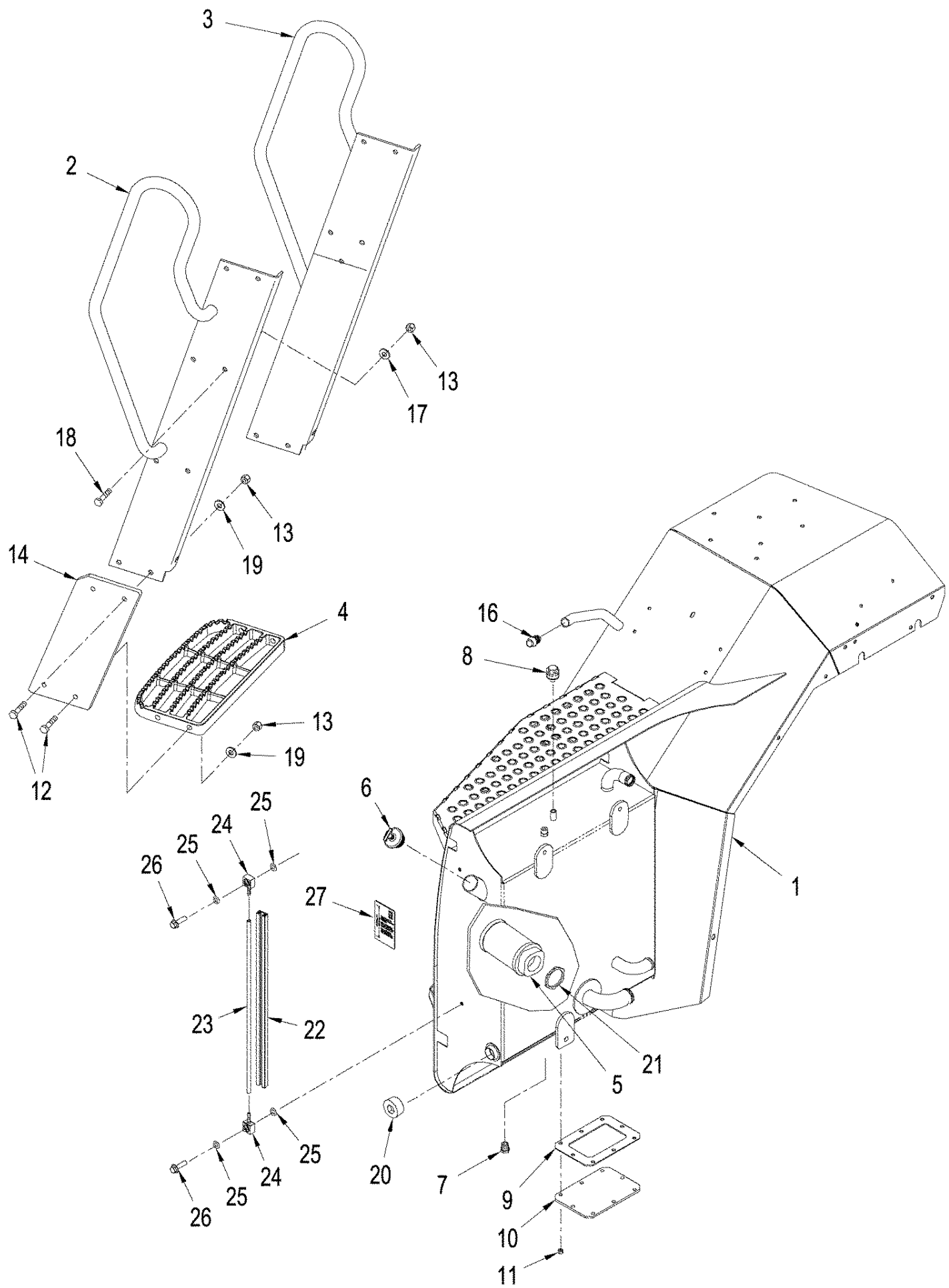


STX530 CASE IH 4WD TRACTOR (BTW Z6F100023 - Z6F105001)

08-17 CABLE - TOW VALVE

сылка	Номер детали	Кол-во	Описание
1	344904A2	1	SUPPORT ASSY., Tow Valve Cable
2	A67295	1	PLUG,
3	527-205	1	PIN, CLEVIS, M8 x 25,
4	136-157	1	PIN, SPLIT (COTTER), Int, 9/64" x .054",
6	829-1408	2	NUT, M8, CI 10,
7	349863A2	1	CABLE, Tow Valve
5	895-11008	2	WASHER, M8 x 16 x 1.6,

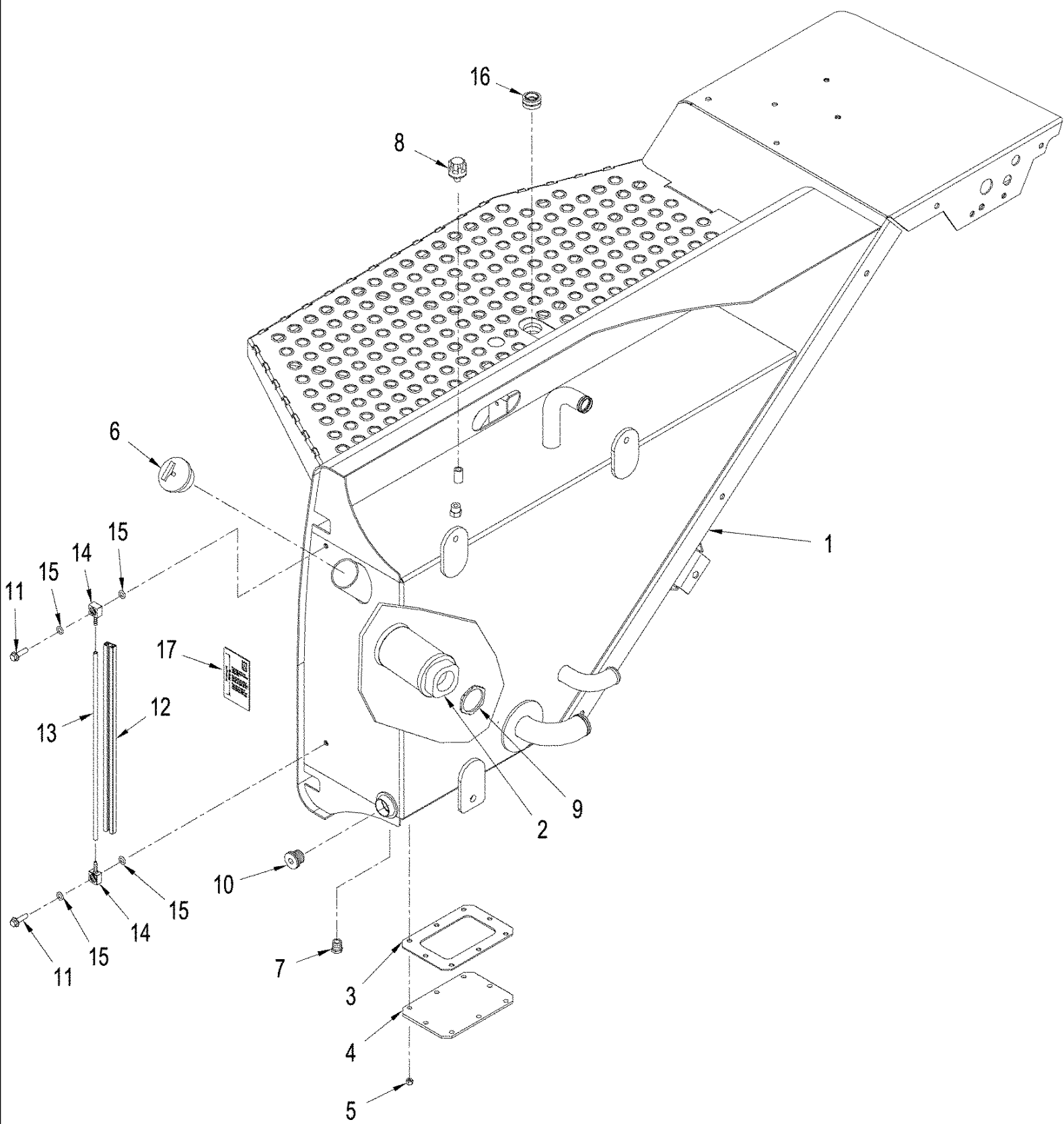
08-18 HYDRAULIC TANK, WHEEL TRACTOR



STX530 CASE IH 4WD TRACTOR (BTW Z6F100023 - Z6F105001)

08-18 HYDRAULIC TANK, WHEEL TRACTOR

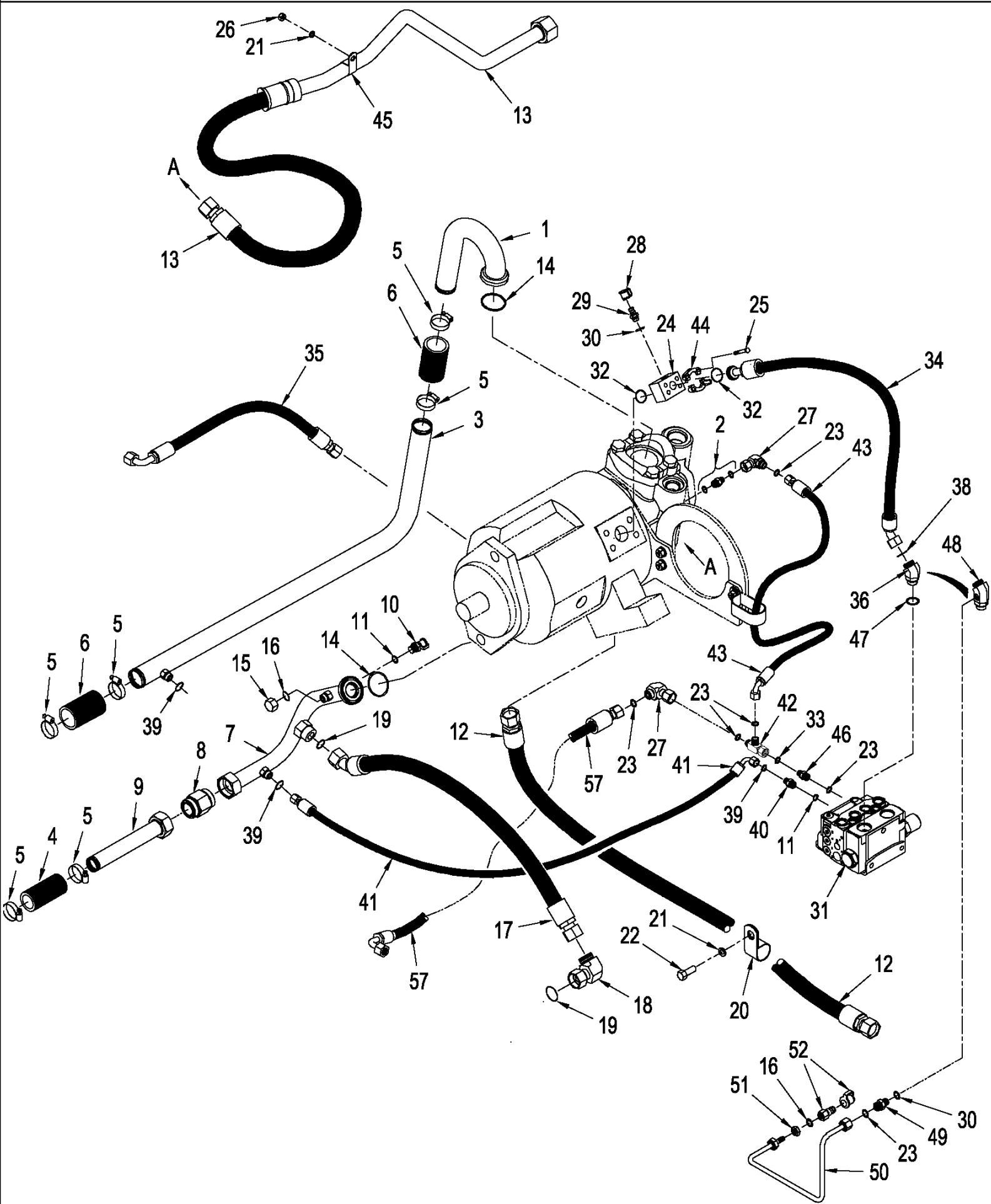
сылка	Номер детали	Кол-во	Описание
1	87313193	1	TANK, Hydraulic, w/ Front LH Fender
2	341858A1	1	LADDER, Rear, Left-Hand
3	341859A1	1	LADDER, Front, Right-Hand
4	87301185	5	STEP,
5	87408715	1	FILTER, STRAINER,
6	325737A1	1	CAP, Oil Filler
7	217-410	1	PLUG, Hex Hd, 1/2"-14 NPTF,
8	1971726C1	1	BREATHER,
9	435031A1	1	GASKET, Hydraulic Access Cover
10	435030A1	1	COVER, Hydraulic Access
11	832-10408	8	NUT, LOCK, M8 x 1.25, CI 8,
12	827-10045	8	BOLT, Hex, M10 x 45, 10.9,
13	832-10410	22	NUT, LOCK, M10 x 1.5, CI 8,
14	376530A1	2	SUPPORT, Step
15	811-10025	2	BOLT, CARRIAGE, Short NK, M10 x 25, CI8.8, Full Thd,
16	363226A1	1	BUMPER, Rubber
17	895-11010	18	WASHER, M10 x 20 x 2,
18	627-10035	12	BOLT, Hex, M10 x 35, 10.9, Full Thd,
19	896-15010	8	WASHER, M10 x 24.5 x 3, HT,
20	217-445	1	PLUG, Hex Soc, 1 1/4"-11 1/2 NPTF,
21	435032A1	1	NUT, LOCK,
22	349869A1	1	CHANNEL, Sight Guage
23	355179A1	1	HOSE, Sight Guage
24	352767A1	2	CONNECTOR, HYD.,
25	337248A1	4	O-RING,
26	844-10035	2	BOLT, Hex Flg, M10 x 35, 8.8,
27	434856A1	1	DECAL, Hydraulic Oil Level



STX530 CASE IH 4WD TRACTOR (BTW Z6F100023 - Z6F105001)

08-19 HYDRAULIC TANK, QUADTRAC TRACTOR

сылка	Номер детали	Кол-во	Описание
1	87384154	1	TANK, Hydraulic, w/ Front LH Fender
2	196955A1	1	SCREEN, FILTER,
3	435031A1	1	GASKET, Hydraulic Access Cover
4	435030A1	1	COVER, Hydraulic Cover
5	832-10408	8	NUT, LOCK, M8 x 1.25, Cl 8,
6	325737A1	1	CAP, Oil Filler
7	217-410	1	PLUG, Hex Hd, 1/2"-14 NPTF,
8	1971726C1	1	BREATHER,
9	435032A1	1	NUT, LOCK,
10	217-445	1	PLUG, Hex Soc, 1 1/4"-11 1/2 NPTF,
11	844-10035	2	BOLT, Hex Flg, M10 x 35, 8.8,
12	349869A1	1	CHANNEL, Sight Guage
13	355179A1	1	HOSE, Sight Guage
14	352767A1	2	CONNECTOR, HYD.,
15	337248A1	4	O-RING,
16	D22200	1	BEARING, Self Aligning
17	434856A1	1	DECAL, Hydraulic Oil Level

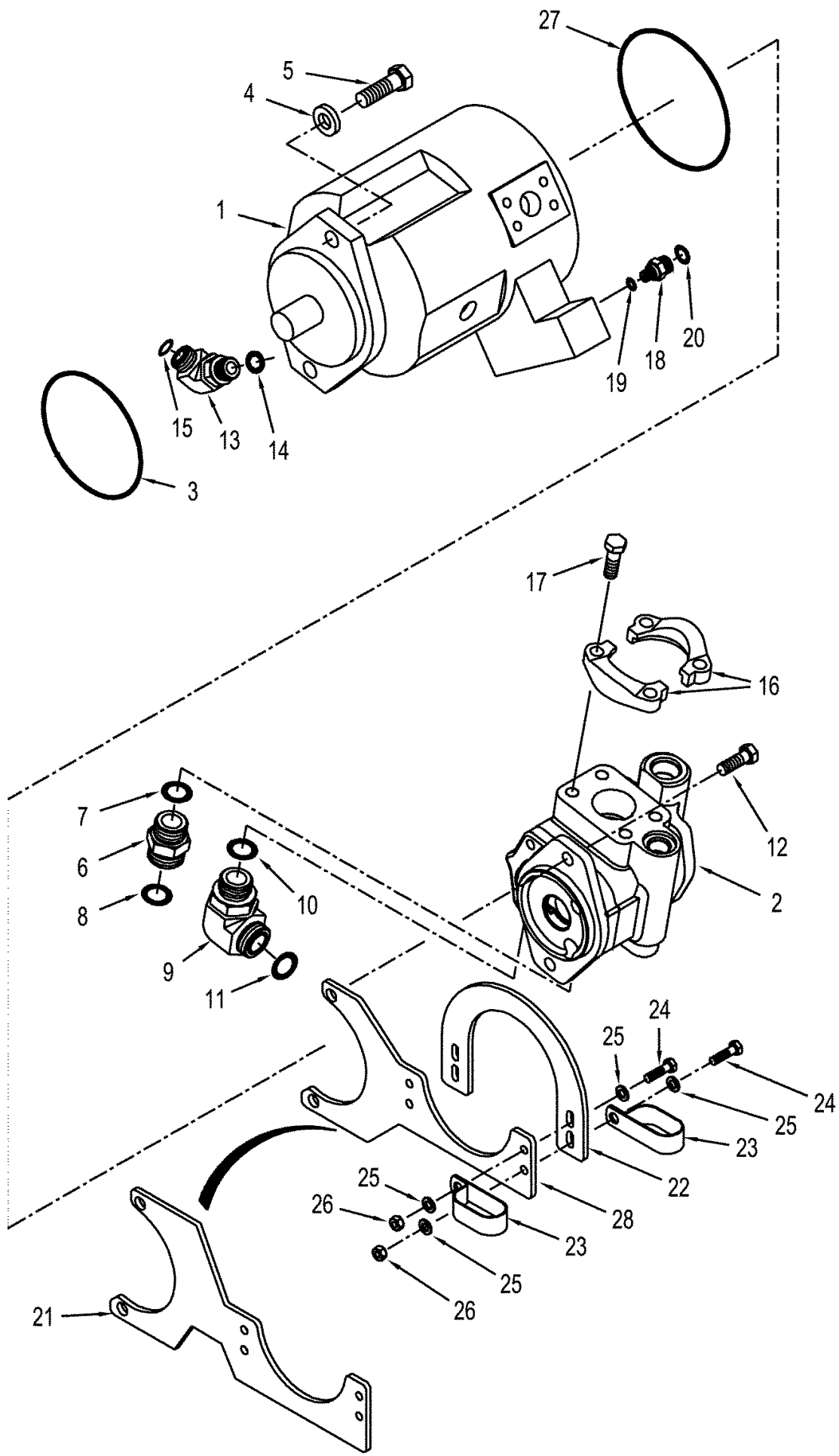


08-21 STANDARD HYDRAULICS - PUMP LUBRICATION CIRCUIT, WITH POWER SHIFT TRANSMISSION

сылка	Номер детали	Кол-во	Описание
1	402484A2	1	TUBE ASSY.,
2	1957867C1	1	SCREEN, FILTER, With O-Rings
3	419665A2	1	TUBE ASSY.,
4	1-4571	1	HOSE, 114 mm (4-1/2 in)
5	214-1436	6	CLAMP, HOSE, #36, 1.81/2.75 Type F Worm,
6	31-2427	2	HOSE, 102 mm (4 in), Cut From 1-4568
7	87438195	1	TUBE ASSY., Inc. 15 & 16
8	87545498	1	VALVE, CHECK,
9	87307318	1	TUBE ASSY.,
10	358968A1	1	COUPLING, M18 orb x 1,5, Diagnostic, Inc. 11
11	637-63153	1	O-RING, CI 6, 15.3MM ID x 2.2 Thk,
12	327466A1	1	HOSE, 1486 mm (58")
13	87357616	1	HOSE, Gear Pump to RH Filter
14	238-6228	2	O-RING, -228, 90 Duro, 2.234" ID x .139" Thk,
15	701-900	1	CAP, 11/16"-16 ORFS, Inc. 16
16	238-6012	2	O-RING, -012, 90 Duro, .364" ID x .070" Thk,
17	335104A2	1	HOSE ASSY., 925 mm (36"), Regulator Valve to Piston Pump Supply
17	437253A1S	1	HOSE ASSY., 925 mm (36-13/32"), Arctic QUADTRAC Tractor Application
18	701-339	1	ELBOW, 90°, 1 7/16"-12 ORFS x 1 7/16"-12 Fem Sw, Inc. 19
19	238-6021	3	O-RING, -021, 90 Duro, .926" ID x .070" Thk,
20	515-24349	1	CLAMP, 1 3/8", Insul, 7/16" Bolt,
21	895-11008	12	WASHER, M8 x 16 x 1.6,
22	627-8030	1	BOLT, Hex, M8 x 30, 10.9,
23	238-6012	5	O-RING, -012, 90 Duro, .364" ID x .070" Thk,
24	87309732	1	BLOCK, Pump
25	426-652	4	BOLT, Hex, 3/8"-16 x 3 1/4", G8,
26	829-1408	1	NUT, M8, CI 10,
27	701-319	2	ELBOW, 90°, 11/16"-16 ORFS x 11/16"-16 Fem Sw, Inc. 23
	178889A1	1	FITTING, Diagnostic, Inc. 28 - 29
28	H434163	1	DUST CAP, Dust
29	NSS	1	NOT SERVICED SEPARATELY, Fitting, Diagnostic
30	637-63113	1	O-RING, CI 6, 11.3MM ID x 2.2 Thk,
31	87436468	1	VALVE, CONTROL, Priority / EHPS, See Figure: 08-15, BSN Z7F105391
31	87585898	1	VALVE, HYDRAULIC, Priority / EHPS, See Figure: 08-15, ASN Z7F105391
32	238-6219	2	O-RING, -219, 90 Duro, 1.296" ID x .139" Thk,
33	238-6011	1	O-RING, -011, 90 Duro, .301" ID x .070" Thk,
34	87309930	1	HOSE, 840 mm (33"), BSN Z7F105578
34	87565932	1	HOSE ASSY., 869 mm (34-1/2"), ASN Z7F105578
36	700-318	1	ELBOW, 45°, 1 7/16"-12 ORFS x M33 x 2 ORB, Inc. 38 & 47, BSN Z7F105578
37	87550213	1	FITTING, 45, Special, Inc. 38 & 47, ASN Z7F105578
38	238-6021	1	O-RING, -021, 90 Duro, .926" ID x .070" Thk,
39	238-6014	2	O-RING, -014, 90 Duro, .489" ID x .070" Thk,
40	700-102	1	CONNECTOR, HYD., 13/16"-16 ORFS x M18 x 1.5 ORB, Inc. 11 & 60
41	87438228	1	HOSE ASSY., 1211 mm (47-1/2")
42	300209A1	1	VALVE, Shuttle

сылка	Номер детали	Кол-во	Описание
43	87389531	1	HOSE, 1820 mm (71-1/2")
44	A12306	2	FLANGE, Split Clamp, 1"
45	515-23254	1	CLAMP, 1", Insul, 3/8" Bolt,
46	700-165	1	CONNECTOR, HYD., 11/16"-16 ORFS x M12 x 1.5 ORB, Inc. 23 & 33
47	637-64296	1	O-RING, CI 6, 29.6MM ID x 2.9 Thk,
48	700-101	1	CONNECTOR, HYD., 11/16"-16 ORFS x M14 x 1.5 ORB, Incl. 23, 30, ASN Z7F105578
49	87565927	1	TUBE, Diagnostic Priority, ASN Z7F105578
50	701-909	1	NUT, LOCK, 11/16"-16, Blkhd, , ASN Z7F105578
51	190119A1	1	COUPLING, Diagnostic, ASN Z7F105578
52	700-105	1	CONNECTOR, HYD., 1 7/16"-12 ORFS x M22 x 2 ORB, Inc. 19 & 56
53	201-308	1	ELBOW, 90e, 1 7/16"-12 x 1 5/8"-12, Adj, ORFS, Inc. 19 & 54
54	237-6016	2	O-RING, 16-1, 90 Duro, 1.171" ID x .118" Thk,
55	201-105	1	CONNECTOR, HYD., 1 7/16"-12 ORFS x 1 5/16"-12 ORB, Inc. 19 & 54
56	637-64296	1	O-RING, CI 6, 29.6MM ID x 2.9 Thk,
57	87394490	1	HOSE, 4384 mm (172-1/2"), from Priority Valve to Manifold Valve Auxiliary Load Sense Port

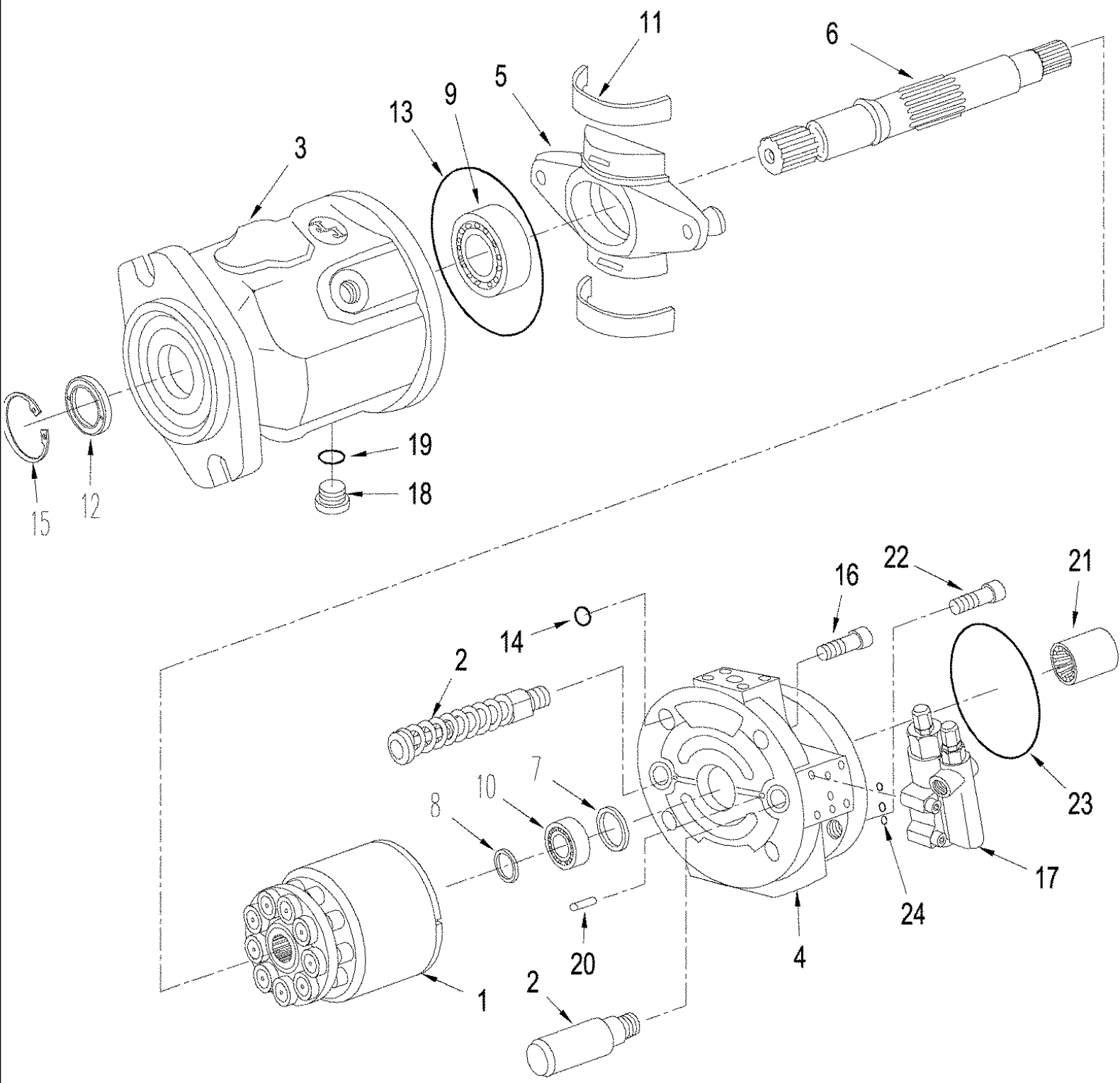
08-22 STANDARD HYDRAULICS - PUMP MOUNTING



08-22 STANDARD HYDRAULICS - PUMP MOUNTING

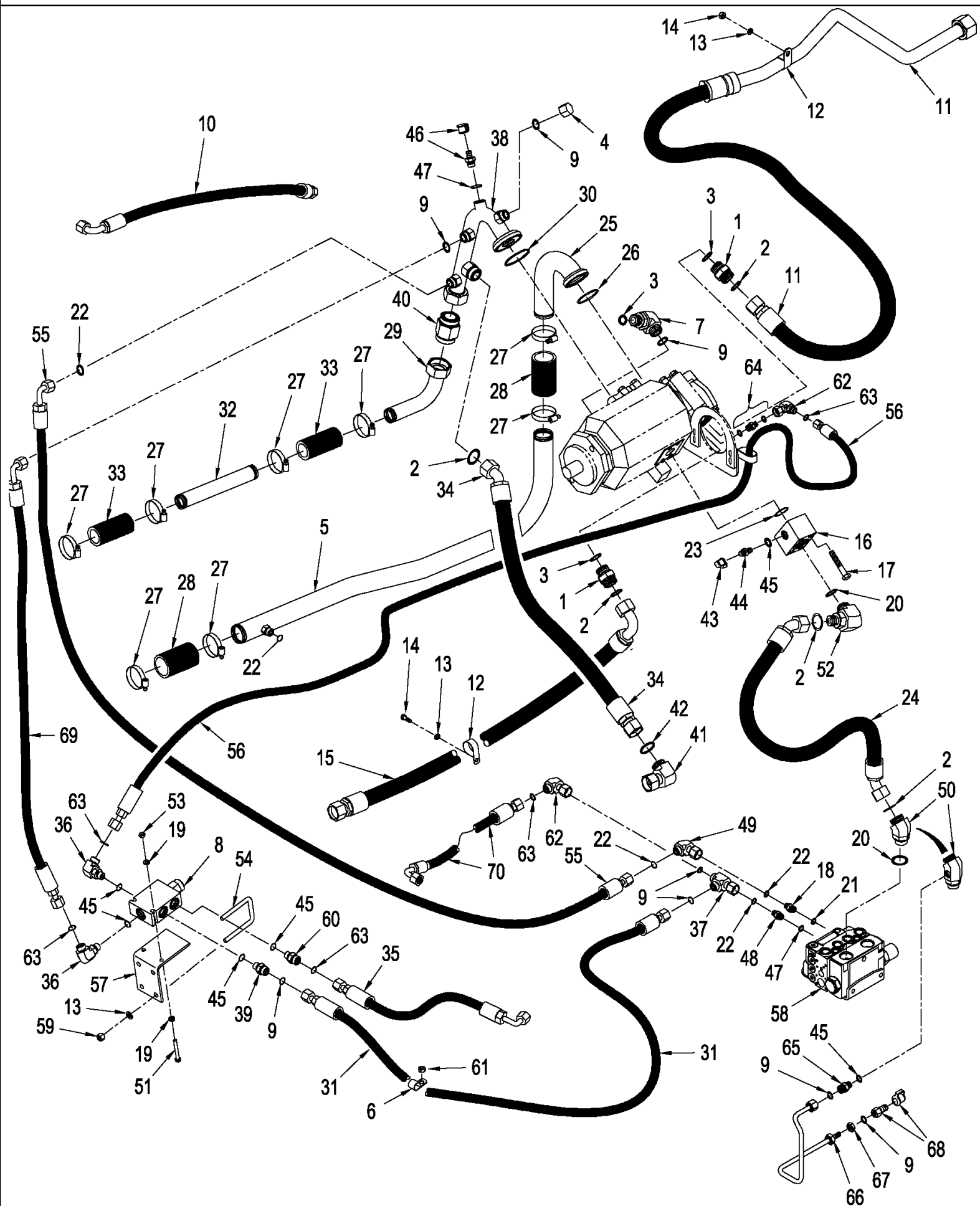
сылка	Номер детали	Кол-во	Описание
1	87308197	1	PUMP, 71 cc, Piston, See Figure: 08-23
2	87428412	1	PUMP, HYDRAULIC, 100 cc, Gear, See Figure: 08-28
3	238-5250	1	O-RING, -250, 70 Duro, 4.984" ID x .139" Thk,
4	496-81022	2	WASHER, 11/16 x 1-1/4 x 1/4 in
5	627-16050	2	BOLT, Hex, M16 x 50, 10.9,
6	201-105	1	CONNECTOR, HYD., 1 7/16"-12 ORFS x 1 5/16"-12 ORB, Inc. 7, 8
7	237-6016	1	O-RING, 16-1, 90 Duro, 1.171" ID x .118" Thk,
8	238-6021	1	O-RING, -021, 90 Duro, .926" ID x .070" Thk,
9	201-308	1	ELBOW, 90e, 1 7/16"-12 x 1 5/8"-12, Adj, ORFS, Inc. 10, 11
10	237-6016	1	O-RING, 16-1, 90 Duro, 1.171" ID x .118" Thk,
11	238-6021	1	O-RING, -021, 90 Duro, .926" ID x .070" Thk,
12	627-12035	2	BOLT, Hex, M12 x 35, 10.9,
13	201-306	1	ELBOW, 90e, 1"-14 x 7/8"-14 Adj, ORFS, Inc. 14, 15
14	237-6010	1	O-RING, 10-1, 90 Duro, .755" ID x .097" Thk,
15	238-6016	1	O-RING, -016, 90 Duro, .614" ID x .070" Thk,
16	A14141	4	FLANGE,
17	426-824	8	BOLT, Hex, 1/2"-13 x 1 1/2", G8, Full Thd,
18	201-125	1	CONNECTOR, HYD., 11/16"-16 ORFS x 7/16"-20 ORB, Inc. 19, 20
19	237-6004	1	O-RING, 4-1, 90 Duro, .351" ID x .072" Thk,
20	238-6012	1	O-RING, -012, 90 Duro, .364" ID x .070" Thk,
21	87419158	1	BRACKET, Mounting, Tandem Pump, With Manual Shift Transmission
22	87419159	1	PLATE,
23	L111928	2	CLAMP,
24	627-8030	4	BOLT, Hex, M8 x 30, 10.9,
25	895-11008	8	WASHER, M8 x 16 x 1.6,
26	832-10408	4	NUT, LOCK, M8 x 1.25, Cl 8,
27	436514A1	1	O-RING,
28	87419460	1	BRACKET, Mounting, Tandem Pump, With Power Shift Transmission

08-23 STANDARD HYDRAULICS - PISTON PUMP ASSEMBLY



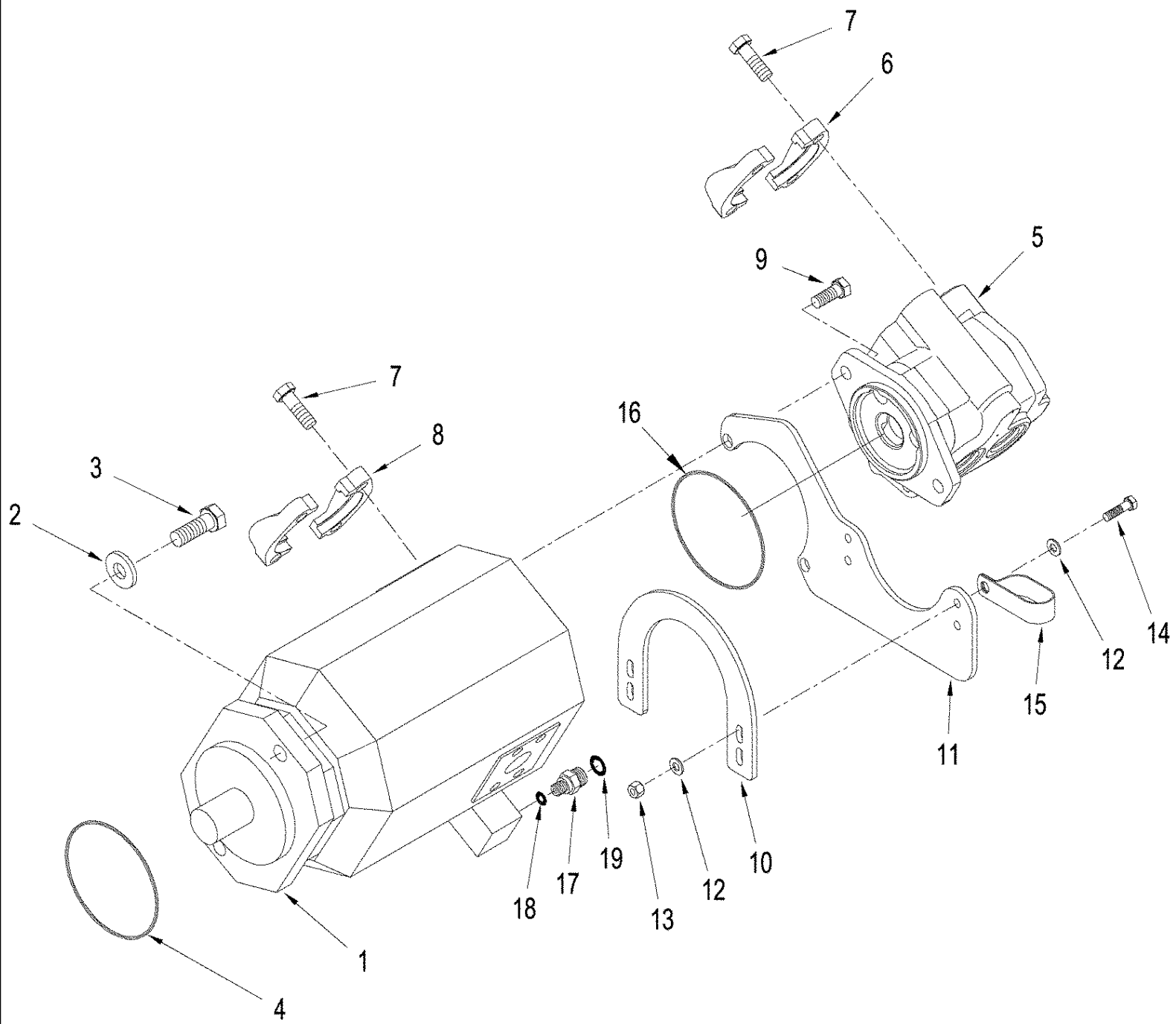
08-23 STANDARD HYDRAULICS - PISTON PUMP ASSEMBLY

сылка	Номер детали	Кол-во	Описание
	87308197	1	PUMP, 71 cc, Inc. 1 - 23
1	NSS	1	NOT SERVICED SEPARATELY, Cylinder Assy
2	NSS	1	NOT SERVICED SEPARATELY, Piston Assy, Control
3	NSS	1	NOT SERVICED SEPARATELY, Housing
4	NSS	1	NOT SERVICED SEPARATELY, Block
5	NSS	1	NOT SERVICED SEPARATELY, Plate, Swash
6	NSS	1	NOT SERVICED SEPARATELY, Shaft
7	NSS	1	NOT SERVICED SEPARATELY, Washer
8	NSS	1	NOT SERVICED SEPARATELY, Spacer
9	NSS	1	NOT SERVICED SEPARATELY, Bearing, Roller
10	NSS	1	NOT SERVICED SEPARATELY, Bearing, Roller
11	NSS	2	NOT SERVICED SEPARATELY, Support
12	NSS	1	NOT SERVICED SEPARATELY, Seal
13	NSS	1	NOT SERVICED SEPARATELY, O-Ring
14	NSS	4	NOT SERVICED SEPARATELY, O-Ring
15	NSS	1	NOT SERVICED SEPARATELY, Ring, Snap
16	NSS	4	NOT SERVICED SEPARATELY, Screw
17	87308198	1	COMPENSATOR, Compensator
18	NSS	1	NOT SERVICED SEPARATELY, Plug
19	NSS	1	NOT SERVICED SEPARATELY, O-Ring
20	NSS	1	NOT SERVICED SEPARATELY, Pin
21	NSS	1	NOT SERVICED SEPARATELY, Coupling
22	NSS	2	NOT SERVICED SEPARATELY, Screw
23	436514A1	1	O-RING,
24	8604965	3	O-RING,
	388293A1	1	KIT, SEALS, Inc. 12 - 14, 19, 23



сылка	Номер детали	Кол-во	Описание
1	201-105	2	CONNECTOR, HYD., 1 7/16"-12 ORFS x 1 5/16"-12 ORB, Inc. 2, 3
2	238-6021	5	O-RING, -021, 90 Duro, .926" ID x .070" Thk,
3	237-6016	3	O-RING, 16-1, 90 Duro, 1.171" ID x .118" Thk,
4	701-900	1	CAP, 11/16"-16 ORFS,
5	413814A2	1	TUBE ASSY.,
6	515-23206	2	CLAMP, 13/16", Insul, 3/8" Bolt,
7	201-341	1	ELBOW, 90e, 1"-14 x 1 1/16"-12, Adj, ORFS, Inc. 3, 9
8	87674690	1	VALVE, Destroke Pump
9	238-6012	10	O-RING, -012, 90 Duro, .364" ID x .070" Thk,
10	363769A1	1	HOSE ASSY., 700 mm (27-1/2 in)
10	437274A1S	1	HOSE ASSY., 700 mm (27-1/2"), Arctic QUADTRAC Tractor Application
11	87357608	1	HOSE, Charge Pump to Right-Hand Front Filter
11	437271A1S	1	HOSE ASSY., 1625 mm (64"), Charge Pump to Right-Hand Front Filter, Arctic QUADTRAC Tractor Application
12	515-23254	1	CLAMP, 1", Insul, 3/8" Bolt,
13	895-11008	6	WASHER, M8 x 16 x 1.6,
14	829-1408	1	NUT, M8, CI 10,
15	335103A1	1	HOSE ASSY., 1525 mm (60 in), Charge Pump to Charge Return Tube
15	437263A1S	1	HOSE ASSY., 1525 mm (60"), Charge Pump to Charge Return Tube, Arctic QUADTRAC Tractor Application
16	86992232	1	BLOCK, Pump, BSN Z7F105578
16	87565931	1	BLOCK, Pump, ASN Z7F105578
17	461-35040	4	SCREW, Hex Soc Hd, 1/2"-13 x 2 1/2",
18	700-165	1	CONNECTOR, HYD., 11/16"-16 ORFS x M12 x 1.5 ORB, Inc. 21 & 22
19	895-11006	4	WASHER, M6,
20	238-6222	1	O-RING, -222, 90 Duro, 1.484" ID x .139" Thk,
21	637-63093	1	O-RING, CI 6, 9.3MM ID x 2.2 Thk,
22	238-6014	2	O-RING, -014, 90 Duro, .489" ID x .070" Thk,
23	238-6222	1	O-RING, -222, 90 Duro, 1.484" ID x .139" Thk,
24	87441879	1	HOSE ASSY.,
24	437285A1S	1	HOSE ASSY., 675 mm (26-1/2"), Arctic QUADTRAC Tractor Application
25	405572A1	1	TUBE ASSY.,
26	238-6228	1	O-RING, -228, 90 Duro, 2.234" ID x .139" Thk,
27	214-1436	8	CLAMP, HOSE, #36, 1.81/2.75 Type F Worm,
28	31-2427	2	HOSE, 102 mm (4 in), Cut From 1-4568
29	413812A1	1	TUBE,
30	238-5232	1	O-RING, -232, 70 Duro, 2.734" ID x .139" Thk,
31	87441950	1	HOSE ASSY., 724 mm (28-1/2"), to Destroke Valve Drain Port
32	87307313	1	TUBE ASSY.,
33	1-4571	2	HOSE, 114 mm (4-1/2 in), Cut From 1-4482
34	335104A2	1	HOSE ASSY., 925 mm (36 in)
34	437264A1S	1	HOSE ASSY., 925 mm (36"), Arctic QUADTRAC Tractor Application
35	87434311	1	HOSE ASSY., 535 mm (21"), to Destroke Valve Sense Port
36	700-304	2	ELBOW, 90e, 11/16"-18 ORFS x M14 x 1.5 ORB, Inc. 45 & 63
37	300209A1	1	VALVE, Shuttle

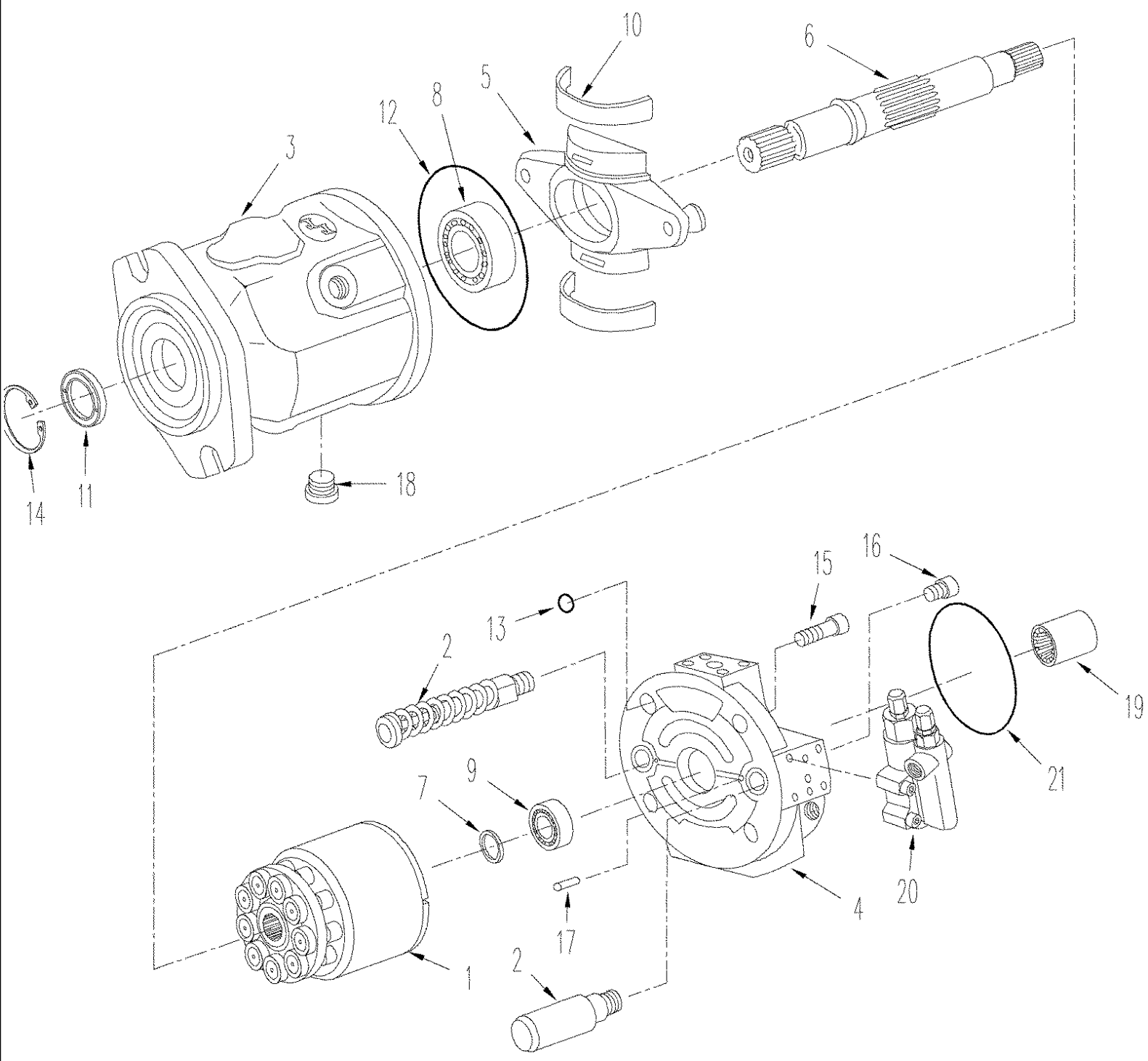
сылка	Номер детали	Кол-во	Описание
38	87441760	1	TUBE ASSY., Piston Pump Supply, Inc. 9, 67
39	334923A1	1	SCREEN, Destroke Pump, 45 gph, Inc. 9 & 45
40	237-6006	1	O-RING, 6-1, 90 Duro, .468" ID x .078" Thk,
41	701-339	1	ELBOW, 90є, 1 7/16"-12 ORFS x 1 7/16"-12 Fem Sw, Inc. 42
42	238-6025	1	O-RING, -025, 90 Duro, 1.176" ID x .070" Thk,
	178889A1	1	FITTING, Diagnostic, Inc. 43 - 45
43	H434163	1	DUST CAP,
44	NSS	1	NOT SERVICED SEPARATELY, Fitting, Diagnostic
45	637-63113	3	O-RING, CI 6, 11.3MM ID x 2.2 Thk,
46	358968A1	1	COUPLING, M18 orb x 1,5, Diagnostic, Inc. 47
47	637-63153	1	O-RING, CI 6, 15.3MM ID x 2.2 Thk,
48	700-102	1	CONNECTOR, HYD., 13/16"-16 ORFS x M18 x 1.5 ORB, Inc. 22 & 47
49	701-320	1	ELBOW, 90є, 13/16"-16 ORFS x 13/16"-16 Fem Sw, Inc. 22, BSN Z7F105578
50	87550213	1	FITTING, 45, Special, Inc. 2 & 22, ASN Z7F105578
51	827-6050	2	BOLT, Hex, M6 x 50, 10.9,
52	700-318	2	ELBOW, 45є, 1 7/16"-12 ORFS x M33 x 2 ORB, Inc. 2, 20
53	829-1406	2	NUT, M6, CI 10,
54	396490A1	2	U-BOLT, M8
55	87441813	1	HOSE ASSY., 1403 mm (55-1/4")
56	87388638	1	HOSE, Destroke Outlet to Piston Pump Compensator
57	87434200	1	BRACKET, Valve
58	87442925	1	VALVE, CONTROL, Priority / EHPS, See Figure: 08-14, BSN Z7F105376
58	87585897	1	VALVE, HYDRAULIC, Priority / EHPS, See Figure: 08-14, ASN Z7F105376
59	832-10408	4	NUT, LOCK, M8 x 1.25, CI 8,
60	700-101	1	CONNECTOR, HYD., 11/16"-16 ORFS x M14 x 1.5 ORB, Inc. 45 & 63
61	829-1406	2	NUT, M6, CI 10,
62	701-319	2	ELBOW, 90є, 11/16"-16 ORFS x 11/16"-16 Fem Sw,
63	238-6012	1	O-RING, -012, 90 Duro, .364" ID x .070" Thk,
64	1957867C1	1	SCREEN, FILTER, w/ O-Rings
65	700-101	1	CONNECTOR, HYD., 11/16"-16 ORFS x M14 x 1.5 ORB, Incl. 9 & 45, ASN Z7F105578
66	87565927	1	TUBE, Diagnostic Priority, ASN Z7F105578
67	701-909	1	NUT, LOCK, 11/16"-16, Bikhhd, , ASN Z7F105578
68	190119A1	1	COUPLING, Diagnostic, ASN Z7F105578
69	87441927	1	HOSE ASSY., 622mm (24-1/2 in)
70	87394490	1	HOSE, 4384 mm (172-1/2"), from Priority Valve to Manifold Valve Auxiliary Load Sense Port



08-26 HIGH OUTPUT HYDRAULICS - PUMP MOUNTING

сылка	Номер детали	Кол-во	Описание
1	87308196	1	PUMP, 100 cc, Piston, See Figure: 08-27
2	496-81022	2	WASHER, .656" x 1.250" x .239"
3	627-16050	2	BOLT, Hex, M16 x 50, 10.9,
4	238-5250	1	O-RING, -250, 70 Duro, 4.984" ID x .139" Thk,
5	87428412	1	PUMP, HYDRAULIC, 100 cc, Gear, See Figure: 08-28
6	A14141	2	FLANGE, Split
7	426-824	8	BOLT, Hex, 1/2"-13 x 1 1/2", G8, Full Thd,
8	L14386	2	CLAMP, Split
9	627-12030	2	BOLT, Hex, M12 x 30, 10.9,
10	87419159	1	PLATE, Lower
11	87419459	1	BRACKET, Mounting, Gear / Piston Pump, With Power Shift Transmission
11	87419160	1	BRACKET, Mounting, Gear / Piston Pump, With Manual Shift Transmission
12	495-11034	8	WASHER, 5/16", SAE,
13	832-10408	4	NUT, LOCK, M8 x 1.25, CI 8,
14	627-8030	4	BOLT, Hex, M8 x 30, 10.9,
15	L111928	2	CLAMP,
16	436514A1	1	O-RING,
17	201-125	1	CONNECTOR, HYD., 11/16"-16 ORFS x 7/16"-20 ORB, Inc. 18 & 19
18	237-6004	1	O-RING, 4-1, 90 Duro, .351" ID x .072" Thk,
19	238-6012	1	O-RING, -012, 90 Duro, .364" ID x .070" Thk,

08-27 HIGH OUTPUT HYDRAULICS - PISTON PUMP ASSY

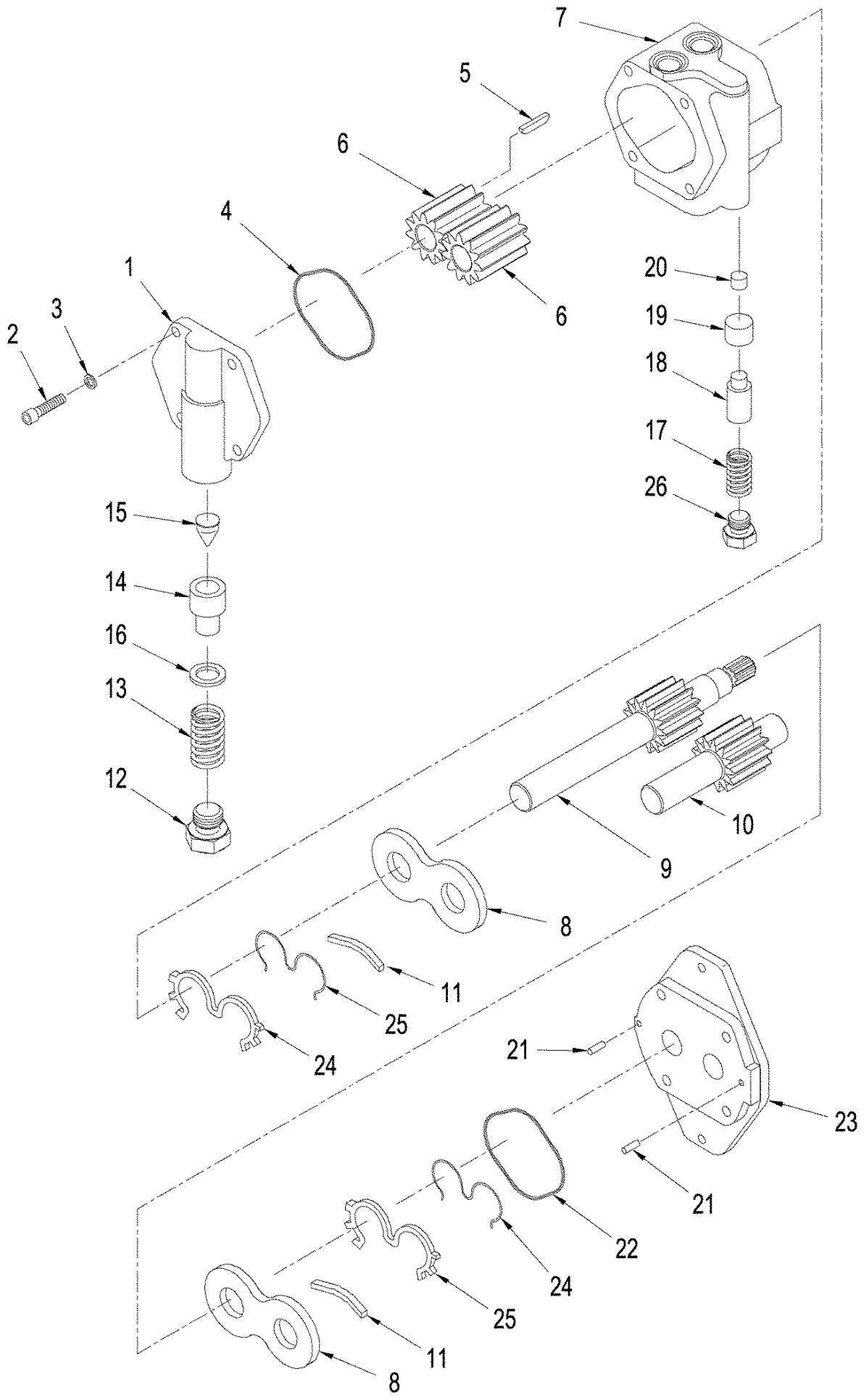


STX530 CASE IH 4WD TRACTOR (BTW Z6F100023 - Z6F105001)

08-27 HIGH OUTPUT HYDRAULICS - PISTON PUMP ASSY

сылка	Номер детали	Кол-во	Описание
	87308196	1	PUMP, Piston, 100 cc, Inc. 1 - 20
1	NSS	1	NOT SERVICED SEPARATELY, Cylinder Assy
2	NSS	1	NOT SERVICED SEPARATELY, Piston Assy
3	NSS	1	NOT SERVICED SEPARATELY, Housing
4	NSS	1	NOT SERVICED SEPARATELY, Block
5	NSS	1	NOT SERVICED SEPARATELY, Plate, Swash
6	NSS	1	NOT SERVICED SEPARATELY, Shaft
7	NSS	1	NOT SERVICED SEPARATELY, Spacer
8	NSS	1	NOT SERVICED SEPARATELY, Bearing, Roller
9	NSS	1	NOT SERVICED SEPARATELY, Bearing, Roller
10	NSS	2	NOT SERVICED SEPARATELY, Support
11	NSS	1	NOT SERVICED SEPARATELY, Seal
12	NSS	1	NOT SERVICED SEPARATELY, O-Ring
13	NSS	4	NOT SERVICED SEPARATELY, O-Ring
14	NSS	1	NOT SERVICED SEPARATELY, Ring, Retaining
15	NSS	4	NOT SERVICED SEPARATELY, Screw
16	NSS	1	NOT SERVICED SEPARATELY, Plug, 1-1/16 Or
17	NSS	1	NOT SERVICED SEPARATELY, Pin, Dowel
18	NSS	2	NOT SERVICED SEPARATELY, Plug
19	NSS	1	NOT SERVICED SEPARATELY, Coupling
20	87308198	1	COMPENSATOR,
21	436514A1	1	O-RING,
	388292A1	1	KIT, SEALS, Inc. 11 - 13, 21

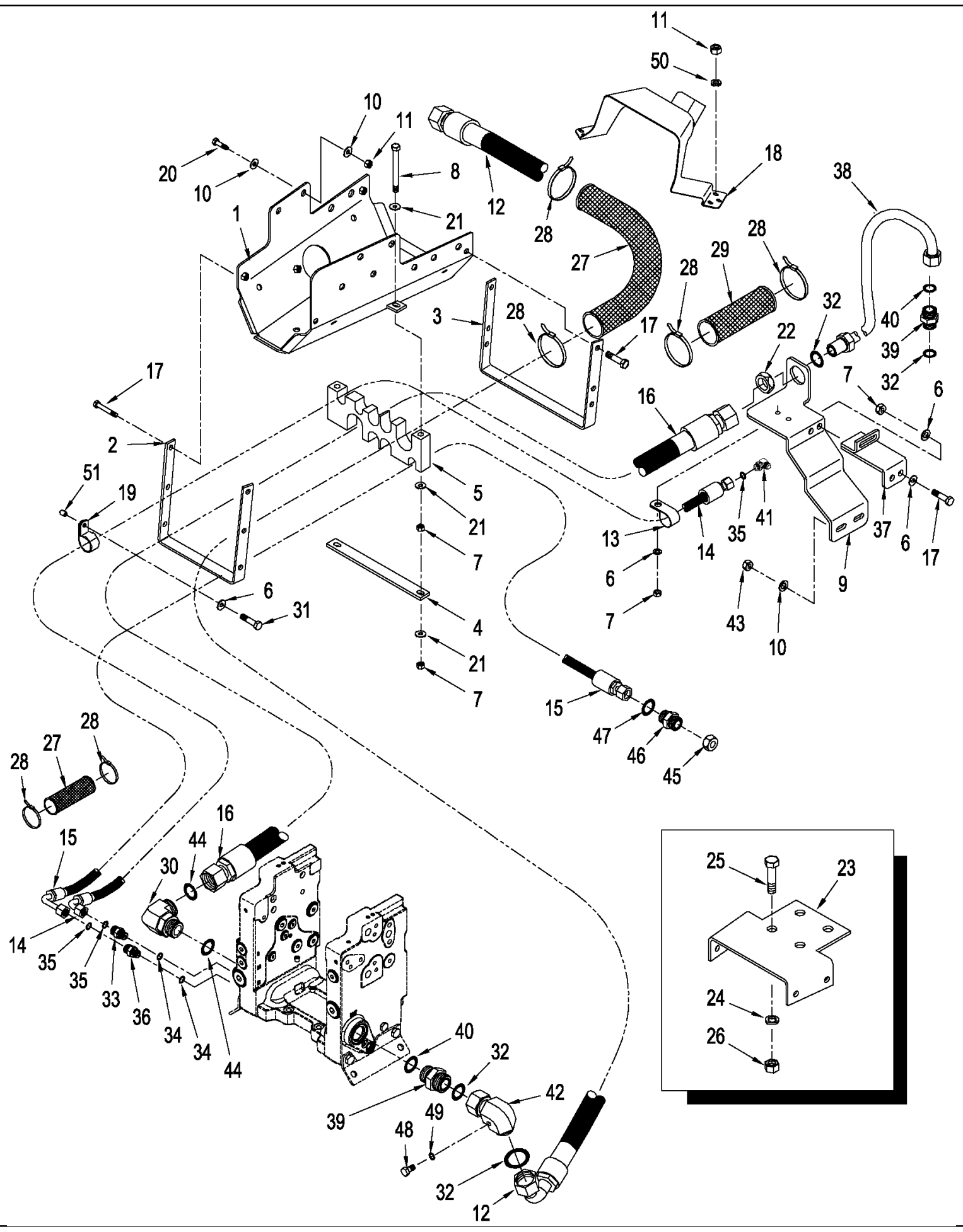
08-28 GEAR PUMP ASSEMBLY



STX530 CASE IH 4WD TRACTOR (BTW Z6F100023 - Z6F105001)

08-28 GEAR PUMP ASSEMBLY

сылка	Номер детали	Кол-во	Описание
	87428412	1	PUMP, HYDRAULIC, Gear, Inc. 1 - 26
1	NSS	1	NOT SERVICED SEPARATELY, Housing, Rear
2	NSS	8	NOT SERVICED SEPARATELY, Screw
3	NSS	8	NOT SERVICED SEPARATELY, Washer
4	NSS	1	NOT SERVICED SEPARATELY, Seal
5	NSS	1	NOT SERVICED SEPARATELY, Pin, Dowel
6	NSS	2	NOT SERVICED SEPARATELY, Gear
7	NSS	1	NOT SERVICED SEPARATELY, Housing, Gear
8	NSS	2	NOT SERVICED SEPARATELY, Plate, Thrust
9	NSS	1	NOT SERVICED SEPARATELY, Shaft, Gear
10	NSS	1	NOT SERVICED SEPARATELY, Shaft, Gear
11	NSS	2	NOT SERVICED SEPARATELY, Seal
	87427777	1	VALVE KIT, Gear Pump, 153 psi, Inc. 12 - 16
12	NSS	1	NOT SERVICED SEPARATELY, Plug
13	NSS	1	NOT SERVICED SEPARATELY, Spring
14	NSS	1	NOT SERVICED SEPARATELY, Poppet, Valve
15	NSS	1	NOT SERVICED SEPARATELY, Seat
16	NSS	1	NOT SERVICED SEPARATELY, Shim
	245847A1	1	PACKAGE, Pressure Relief, Gear Pump, 550 psi, Inc. 17 - 20, 26
17	NSS	1	NOT SERVICED SEPARATELY, Spring
18	NSS	1	NOT SERVICED SEPARATELY, Plunger
19	NSS	1	NOT SERVICED SEPARATELY, Poppet, Valve
20	NSS	1	NOT SERVICED SEPARATELY, Seat
21	NSS	2	NOT SERVICED SEPARATELY, Pin, Dowel
22	NSS	1	NOT SERVICED SEPARATELY, Seal
23	NSS	1	NOT SERVICED SEPARATELY, Housing, Front
24	NSS	2	NOT SERVICED SEPARATELY, Seal, Channel
25	NSS	2	NOT SERVICED SEPARATELY, Seal, Backup
26	NSS	1	NOT SERVICED SEPARATELY, Plug
	334450A1	1	KIT, SEALS, Repair, Inc. 11, 20, 22, 24 & 25



STX530 CASE IH 4WD TRACTOR (BTW Z6F100023 - Z6F105001)

08-29 HYDRAULIC REMOTE HOSES - ELECTRONIC REMOTE

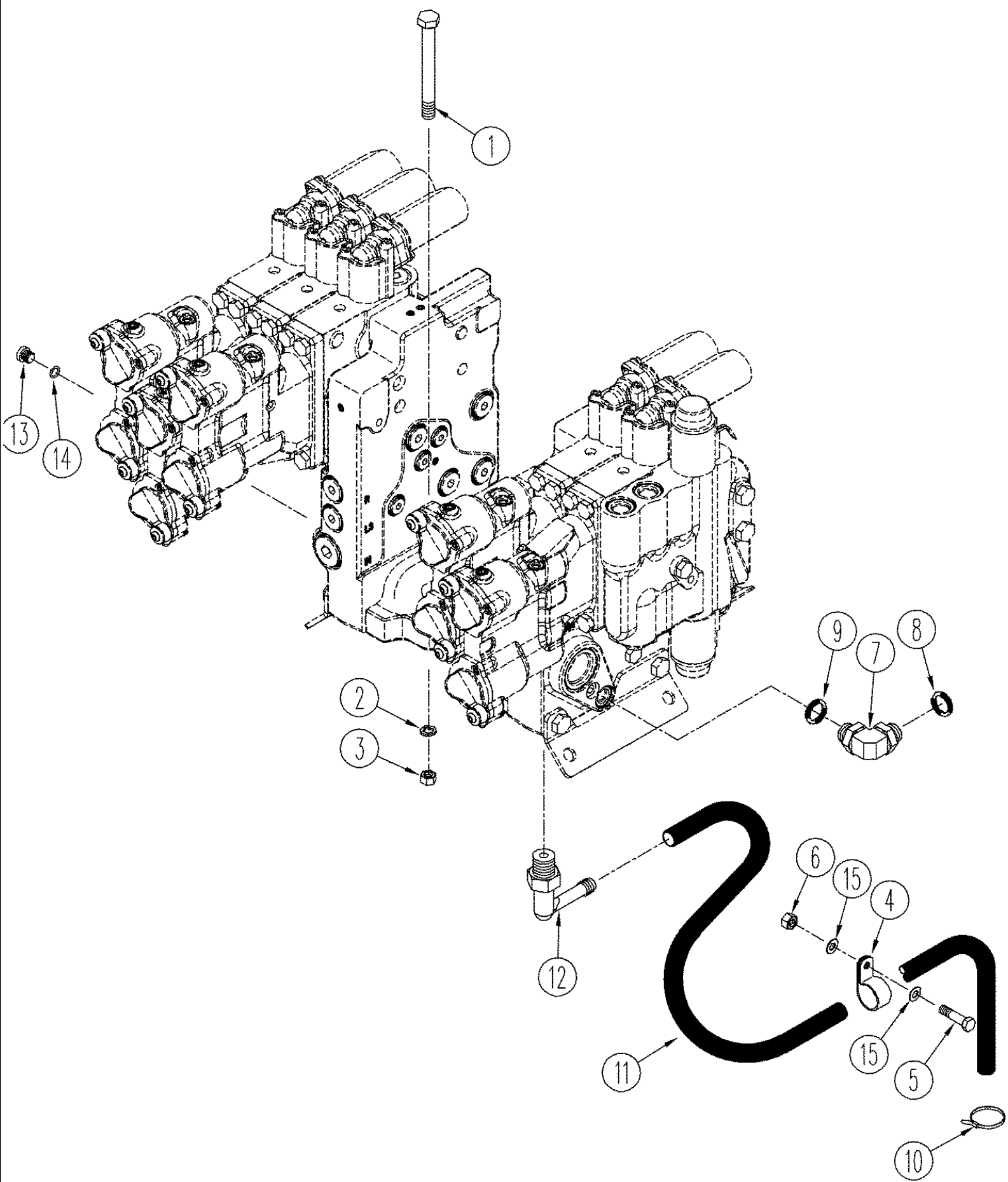
сылка	Номер детали	Кол-во	Описание
1	87385879	1	BRACKET, Hoses
2	405517A1	1	BRACKET, Support
3	87388511	1	BRACKET, Support
4	405520A1	1	PLATE, Mounting
5	362419A1	1	CLAMP,
6	895-11008	10	WASHER, M8 x 16 x 1.6,
7	829-1408	6	NUT, M8, CI 10,
8	627-8100	2	BOLT, Hex, M8 x 100, 10.9, Full Thd,
9	87306262	1	BRACKET,
10	895-11010	10	WASHER, M10 x 20 x 2,
11	829-1410	8	NUT, M10, CI 10,
12	360134A2	1	HOSE ASSY., 3238 mm (127-1/2")
12	437272A1S	1	HOSE ASSY., 3238 mm (127-1/2"), Arctic QUADTRAC Tractor Application
13	515-23206	1	CLAMP, 13/16", Insul, 3/8" Bolt,
14	87394490	1	HOSE, 4384 mm (172-1/2"), from Priority Valve to Manifold Valve Auxiliary Inlet Load Sense Port
14	437270A1S	1	HOSE ASSY., 3487 mm (137-1/4"), from Priority Valve to Manifold Valve Auxiliary Inlet Load Sense Port, Arctic QUADTRAC Tractor Application
15	87539204	1	HOSE, 3323 mm (131")
15	437260A2S	1	HOSE ASSY., 4267 mm (168"), Arctic QUADTRAC Tractor Application
16	87438667	1	HOSE, 3300 mm (130")
16	437273A1S	1	HOSE ASSY., , Arctic QUADTRAC Tractor Application
17	614-8025	7	BOLT, Hex, M8 x 25, 8.8,
18	405521A1	1	SHIELD,
19	515-23159	1	CLAMP, 5/8", Insul, 3/8" Bolt,
20	627-10030	4	BOLT, Hex, M10 x 30, 10.9, Full Thd,
21	895-15008	5	WASHER, M8 x 20 x 1.6,
22	701-908	1	NUT, LOCK, 1 7/16"-12, ORFS Blkhd,
23	404604A1	1	BRACKET, Without Power Takeoff
24	896-11016	4	WASHER, M17.5 x 30 x 4, HT,
25	614-16100	4	BOLT, Hex, M16 x 100, 8.8, Full Thd,
26	829-1416	4	NUT, M16, CI 10,
27	387840A1	2	SLEEVE, 610 mm (24 in)
28	L18331	6	STRAP, CABLE,
29	S120426	1	SLEEVE,
30	700-308	1	ELBOW, 90e, 1 7/16"-12 ORFS x M33 x 2 ORB, Inc. 32 & 40
31	827-8060	1	BOLT, Hex, M8 x 60, 10.9,
32	238-6021	3	O-RING, -021, 90 Duro, .926" ID x .070" Thk,
33	334923A1	1	SCREEN, Inc. 34 & 35
34	637-63113	3	O-RING, CI 6, 11.3MM ID x 2.2 Thk,
35	238-6012	4	O-RING, -012, 90 Duro, .364" ID x .070" Thk,
36	339487A2	1	CONNECTOR, HYD., Inc. 35 & 34
37	87540204	1	BRACKET,
38	87438486	1	TUBE ASSY., EF Outlet
39	700-105	2	CONNECTOR, HYD., 1 7/16"-12 ORFS x M22 x 2 ORB, Inc. 32 & 40
40	637-64296	1	O-RING, CI 6, 29.6MM ID x 2.9 Thk,

STX530 CASE IH 4WD TRACTOR (BTW Z6F100023 - Z6F105001)

08-29 HYDRAULIC REMOTE HOSES - ELECTRONIC REMOTE

сылка	Номер детали	Кол-во	Описание
41	701-319	1	ELBOW, 90є, 11/16"-16 ORFS x 11/16"-16 Fem Sw, Incl. 35
42	311834A1	1	ELBOW, 90, 1-7/16 fc sl x swl, Inc. 32
43	832-10410	3	NUT, LOCK, M10 x 1.5, CI 8,
44	238-6014	1	O-RING, -014, 90 Duro, .489" ID x .070" Thk,
45	703-903	1	NUT, TUBE, 1"-14, ORFS,
46	201-146	1	REDUCER, 13/16"-16 Male x 1"-14 Fem, ORFS, Inc. 47
47	238-6016	1	O-RING, -016, 90 Duro, .614" ID x .070" Thk,
48	220066A1	1	PLUG, M18 x 1.5, ORB, Inc. 49
49	637-63153	1	O-RING, CI 6, 15.3MM ID x 2.2 Thk,
50	896-11010	4	WASHER, M10 x 21.5 x 2.5, HT,
51	371838A1	1	SPACER,

08-30 HYDRAULIC REMOTE CONTROL VALVE

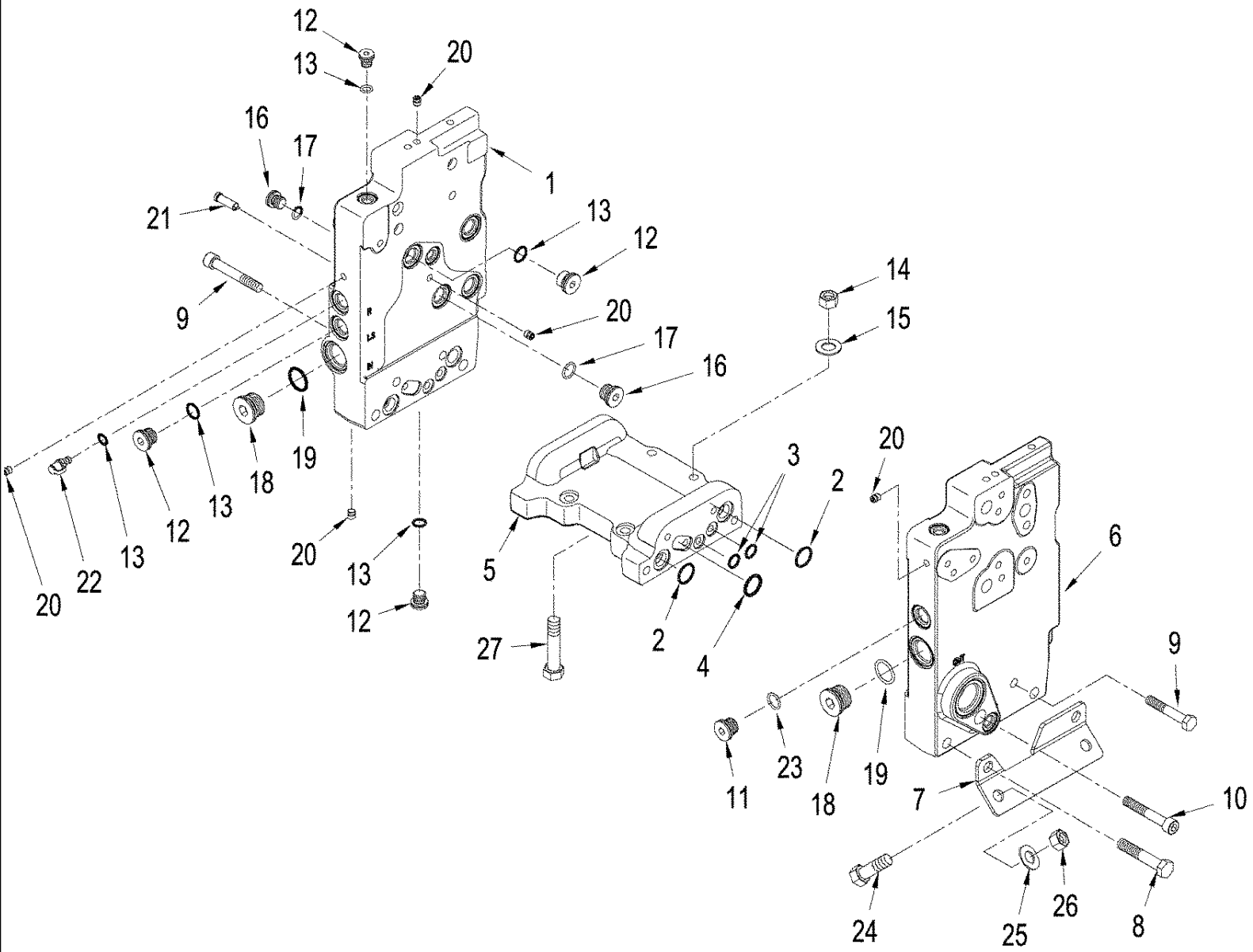


STX530 CASE IH 4WD TRACTOR (BTW Z6F100023 - Z6F105001)

08-30 HYDRAULIC REMOTE CONTROL VALVE

сылка	Номер детали	Кол-во	Описание
1	827-10070	2	BOLT, Hex, M10 x 70, 10.9,
2	896-11010	2	WASHER, M10 x 21.5 x 2.5, HT,
3	832-10410	2	NUT, LOCK, M10 x 1.5, CI 8,
4	515-23254	2	CLAMP, 1", Insul, 3/8" Bolt,
6	829-1410	2	NUT, M10, CI 10,
7	700-332	1	ELBOW, 90є, 13/16"-18 ORFS x M14 x 1.5 ORB, Inc. 8, 9
8	238-6014	1	O-RING, -014, 90 Duro, .489" ID x .070" Thk,
9	637-63113	1	O-RING, CI 6, 11.3MM ID x 2.2 Thk,
10	435437A1	2	STRAP, CABLE, 3/16" x 7 1/4",
11	320374A1	AR	HOSE, 889 mm (35 in), Drain, Cut From 31-1182
12	1289481C1	AR	ELBOW, 1/4" stem x 1/8" PT
13	221576A1	1	PLUG, Hex Soc, M14 x 1.5, ORB, Inc. 14
14	637-63113	1	O-RING, CI 6, 11.3MM ID x 2.2 Thk,
15	895-11010	4	WASHER, M10 x 20 x 2,
5	627-10030	2	BOLT, Hex, M10 x 30, 10.9, Full Thd,

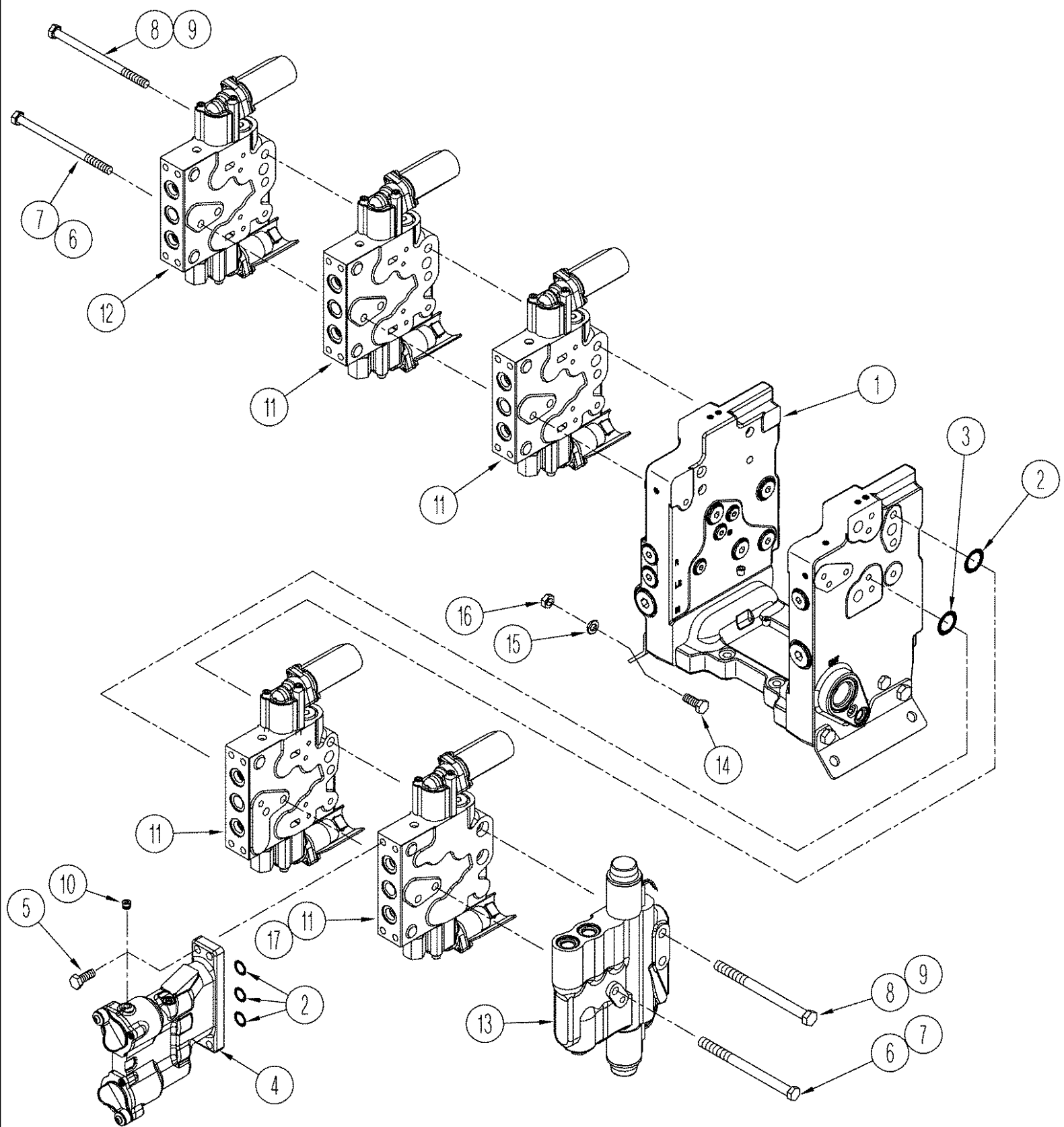
08-31 MANIFOLD VALVE ASSEMBLY



08-31 MANIFOLD VALVE ASSEMBLY

сылка	Номер детали	Кол-во	Описание
	87578889	1	VALVE SECTION, Manifold, Inc. 1 - 21
1	NSS	1	NOT SERVICED SEPARATELY, Valve, Intake, Left-Hand
2	238-6117	4	O-RING, -117, 90 Duro, .799" ID x .103" Thk,
3	238-6112	4	O-RING, -112, 90 Duro, .487" ID x .103" Thk,
4	238-5211	2	O-RING, -211, 70 Duro, .796" ID x .139" Thk,
5	NSS	1	NOT SERVICED SEPARATELY, Valve, Manifold, Connector
6	NSS	1	NOT SERVICED SEPARATELY, Valve, Manifold, Outlet, Right-Hand
7	338681A1	2	BRACKET, Mounting, Manifold
8	828-12065	4	BOLT, Hex, M12 x 65, 10.9,
9	828-10060	2	BOLT, Hex, M10 x 60, 10.9,
10	863-10070	2	SCREW, Hex Soc Hd, M10 x 70, 12.9,
11	86598047	1	PLUG, Inc. 23
12	86598046	10	PLUG, Hex Soc, M18 x 1.5, ORB, Inc. 13
13	637-63153	10	O-RING, CI 6, 15.3MM ID x 2.2 Thk,
14	832-10410	2	NUT, LOCK, M10 x 1.5, CI 8,
15	896-11010	2	WASHER, M10 x 21.5 x 2.5, HT,
16	86598044	7	PLUG, Inc. 17
17	637-63113	7	O-RING, CI 6, 11.3MM ID x 2.2 Thk,
18	221580A1	2	PLUG, Hex Soc, M27 x 2, ORB, Inc. 19
19	637-64236	2	O-RING, CI 6, 23.6MM ID x 2.9 Thk,
20	353828A1	13	PLUG,
21	334923A1	1	SCREEN,
22	358968A1	1	COUPLING, M18 orb x 1,5, Diagnostic, If Used, Inc. 13
23	637-63193	1	O-RING, CI 6, 19.3MM ID x 2.2 Thk,
24	627-12040	4	BOLT, Hex, M12 x 40, 10.9, Full Thd,
25	896-11012	4	WASHER, M13.5 x 24.5 x 3, HT,
26	832-10412	4	NUT, LOCK, M12 x 1.75, CI 8,
27	828-10060	2	BOLT, Hex, M10 x 60, 10.9,

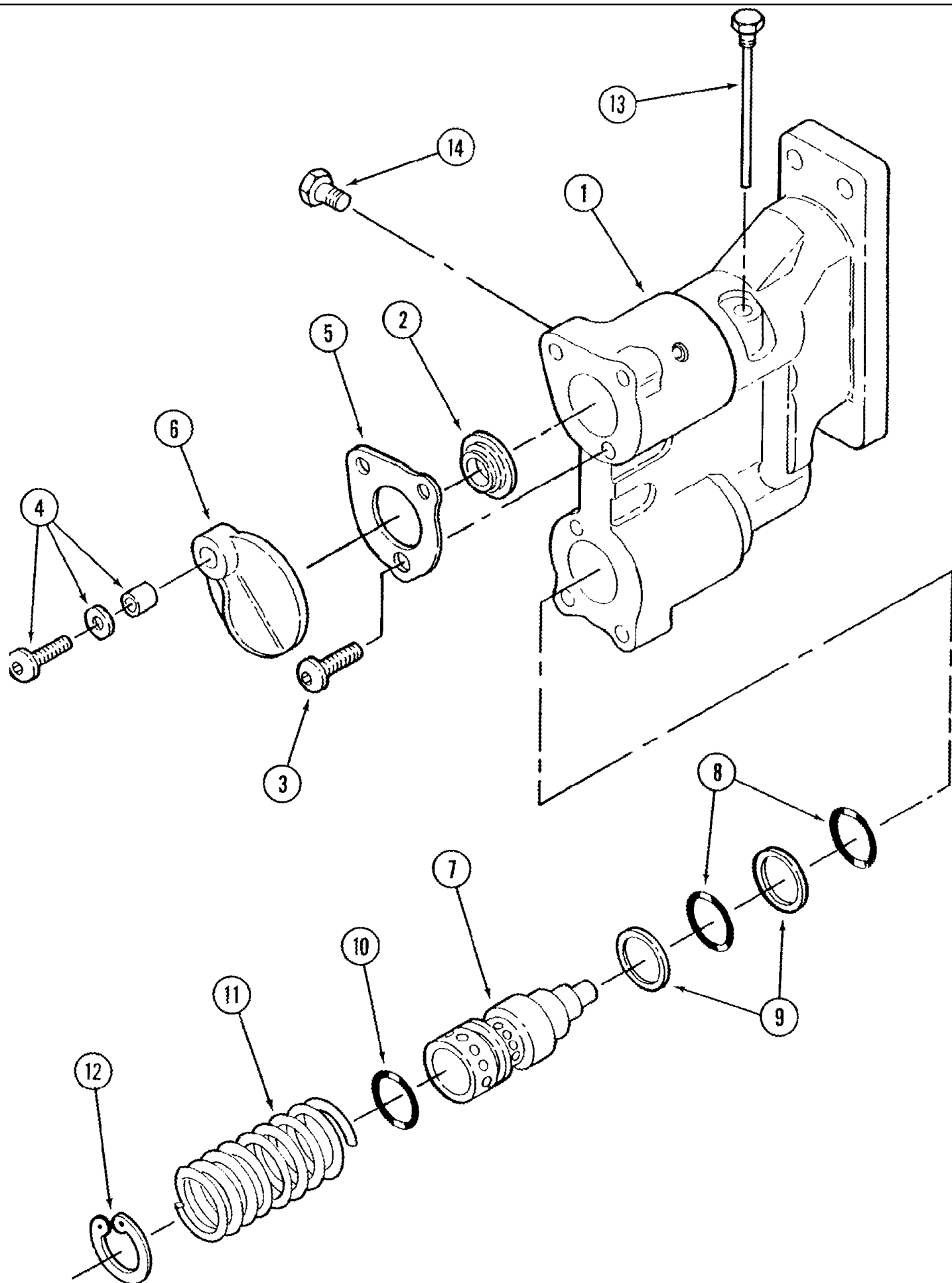
08-32 REMOTE VALVE ASSEMBLY - ELECTRONIC REMOTE



08-32 REMOTE VALVE ASSEMBLY - ELECTRONIC REMOTE

сылка	Номер детали	Кол-во	Описание
1	87578889	1	VALVE SECTION, Manifold, See Figure: 08-31
2	238-6117	AR	O-RING, -117, 90 Duro, .799" ID x .103" Thk,
3	238-6112	AR	O-RING, -112, 90 Duro, .487" ID x .103" Thk,
4	435375A1	AR	COUPLING, BREAK AWAY, See Figure: 08-33, Mating Male Quick Connect Adapter is P/n 86544945.
5	628-10025	AR	BOLT, Hex, M10 x 25, 10.9, Full Thd,
6	828-10110	AR	BOLT, Hex, M10 x 110, 10.9,
7	828-10160	AR	BOLT, Hex, M10 x 160, 10.9,
8	828-12110	AR	BOLT, Hex, M12 x 110, 10.9,
9	828-12160	AR	BOLT, Hex, M12 x 160, 10.9,
10	86637724	5	PLUG, Hex Soc, 1/8"-27 NPTF,
11	292295A3	AR	VALVE, Main, Four and Five Stack, See Figure: 08-34
12	393972A3	1	VALVE, Auxiliary, Left-Hand, See Figure: 08-34
13	319131A4	1	VALVE, Hitch, See Figure: 08-34
14	627-12040	4	BOLT, Hex, M12 x 40, 10.9, Full Thd,
15	896-11012	4	WASHER, M13.5 x 24.5 x 3, HT,
16	832-10412	4	NUT, LOCK, M12 x 1.75, CI 8,
17	393973A3	1	VALVE, Auxiliary, Right-Hand, See Figure: 08-34
	365947A1	1	KIT, Remote Valve, Five Stack, Inc. 2 - 11

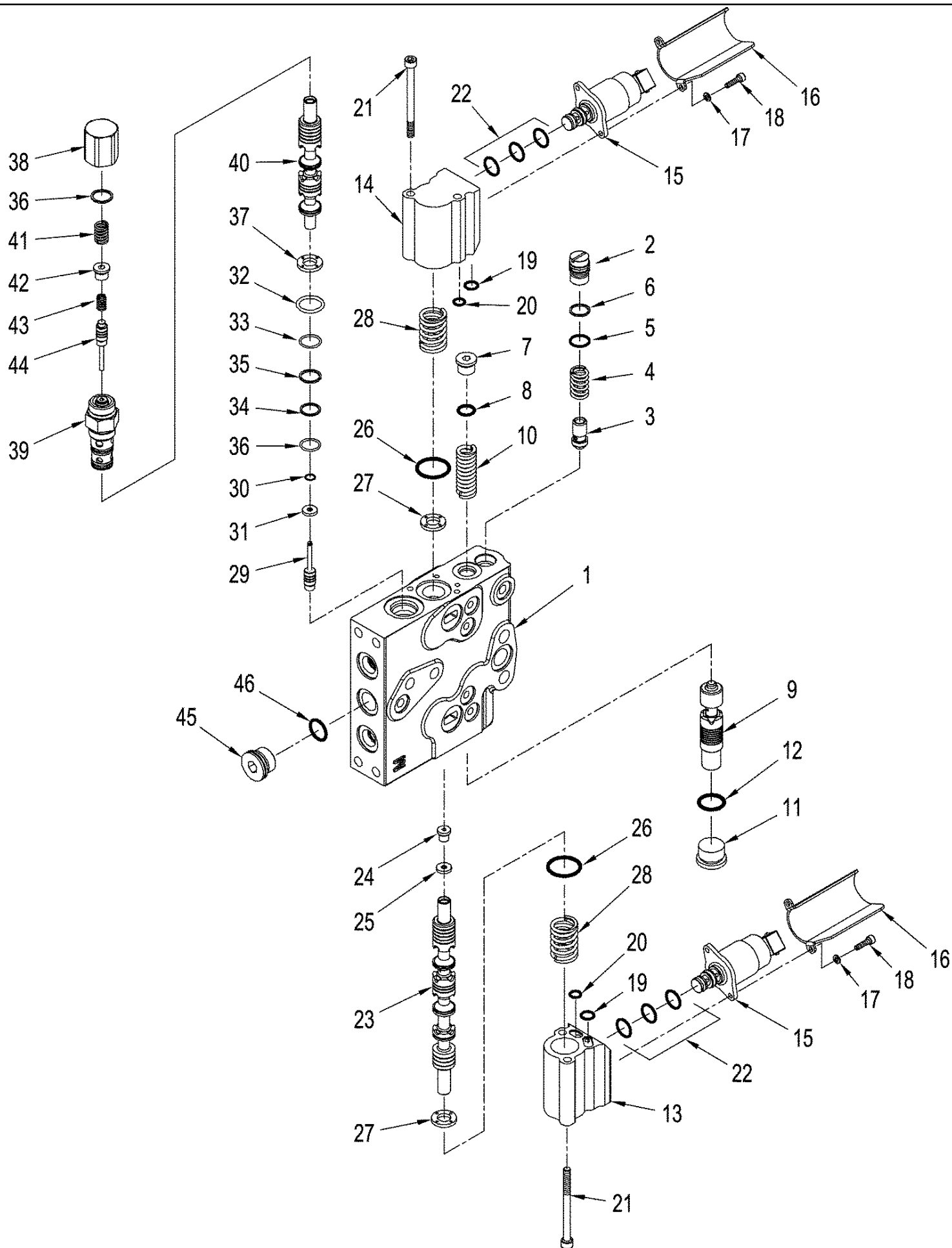
08-33 COUPLER VALVE ASSEMBLY



08-33 COUPLER VALVE ASSEMBLY

сылка	Номер детали	Кол-во	Описание
	435375A1	1	COUPLING, BREAK AWAY, Inc. 1 - 14, Mating Male Quick Connect Adapter is P/n 86544945.
1	NSS	1	NOT SERVICED SEPARATELY, Body
2	240969A1	2	SEAL,
3	427104A1	4	SCREW,
4	240973A2	2	SCREW, With Sleeve and Washer
5	292326A1	2	PLATE, Cover
6	240974A2	2	COVER, DOOR, Dust
7	321623A1	2	CARTRIDGE,
	345193A1	1	KIT, SEALS, Coupler, Inc. 8 - 10
8	238-5027	4	O-RING, -027, 70 Duro, 1.301" ID x .070" Thk,
9	93332C1	4	SEAL ASSY.,
10	345192A1	2	SEAL,
11	93330C1	2	SPRING, VALVE,
12	100-28162	2	RING, SNAP, 1.625", Int, #162,
13	367755A1	2	RETAINER,
14	217-432	1	PLUG, Hex Soc, 1/4"-18,

08-34 MAIN AND AUXILIARY VALVE ASSEMBLY - ELECTRONIC CONTROLLED



STX530 CASE IH 4WD TRACTOR (BTW Z6F100023 - Z6F105001)

08-34 MAIN AND AUXILIARY VALVE ASSEMBLY - ELECTRONIC CONTROLLED

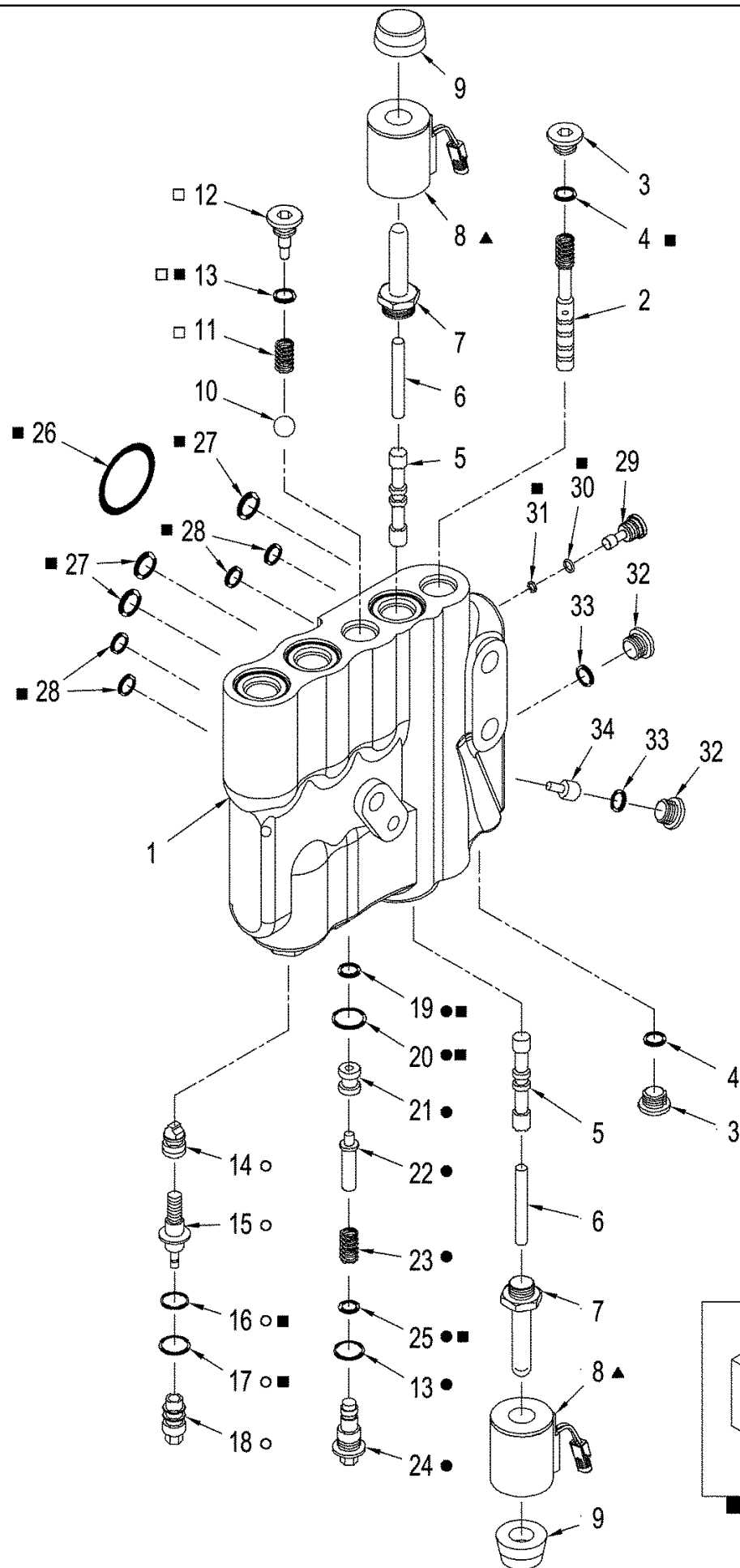
сылка	Номер детали	Кол-во	Описание
	292295A3	1	VALVE, Main Auxiliary, Inc. 1 - 46
	393972A3	1	VALVE, Auxiliary, Left-Hand, Inc. 1 - 46
	393973A3	1	VALVE, Auxiliary, Right-Hand, Inc. 1 - 46
1	NSS	1	NOT SERVICED SEPARATELY, Body
	1542563C1	1	VALVE, CHECK, Logic, Inc. 2 - 6
2	NSS	1	NOT SERVICED SEPARATELY, Plug
3	1543329C1	1	POPPET, VALVE,
4	NSS	1	NOT SERVICED SEPARATELY, Spring
5	G108723	1	RING,
6	238-6015	1	O-RING, -015, 90 Duro, .551" ID x .070" Thk,
7	9625178	1	PLUG, Hex Soc, 9/16"-18 ORB, Incl. 8
8	237-6012	1	O-RING, 12-1, 90 Duro, .924 ID x .118" Thk,
9	292321A2	1	SPOOL,
10	301973A1	1	SPRING,
11	86625138	1	PLUG, Hex Soc, 7/8"-14 ORB, Inc. 12
12	237-6010	1	O-RING, 10-1, 90 Duro, .755" ID x .097" Thk,
	336278A3	1	VALVE SECTION, HYD, EH Pilot Block, Inc. 13, 15 - 22
	392403A2	1	VALVE, PILOT, Block, EH, Inc. 14 - 22
13	NSS	1	NOT SERVICED SEPARATELY, Body, Valve, Lower
14	NSS	1	NOT SERVICED SEPARATELY, Body, Valve, Upper
15	278506A1	1	VALVE, SOLENOID, Proportional
16	353830A1	1	GUARD,
17	892-11004	2	WASHER, LOCK, M4,
18	87536486	2	SCREW,
19	238-5012	1	O-RING, -012, 70 Duro, .364" ID x .070" Thk,
20	238-5011	1	O-RING, -011, 70 Duro, .301" ID x .070" Thk,
21	864-6020	2	SCREW, Hex Soc Hd, M6 x 20, 8.8,
22	372228A1	1	SEAL, O-Ring Kit
23	87410063	1	SPOOL,
24	86632547	1	PLUG, Hex Soc, 5/16"-24 ORB, Inc. 25
25	237-6010	1	O-RING, 10-1, 90 Duro, .755" ID x .097" Thk,
26	238-5120	2	O-RING, -120, 70 Duro, .987" ID x .103" Thk,
27	436518A1	2	WASHER, Centering
28	87706278	2	SPRING, COMPRESSION, Lower, Outer
	1957907C1	1	PISTON ASSY, Load Check, Inc. 29 - 31
29	NSS	1	NOT SERVICED SEPARATELY, Piston
30	NSS	1	NOT SERVICED SEPARATELY, Ring, Snap
31	NSS	1	NOT SERVICED SEPARATELY, Washer
	278550A2	1	VALVE, CHECK, Load, Inc. 32 - 44
32	238-6016	1	O-RING, -016, 90 Duro, .614" ID x .070" Thk,
33	G103862	1	RING,
34	G108723	1	RING,
35	238-6015	1	O-RING, -015, 90 Duro, .551" ID x .070" Thk,
36	237-6010	2	O-RING, 10-1, 90 Duro, .755" ID x .097" Thk,
37	G108727	1	BACK-UP RING,

STX530 CASE IH 4WD TRACTOR (BTW Z6F100023 - Z6F105001)

08-34 MAIN AND AUXILIARY VALVE ASSEMBLY - ELECTRONIC CONTROLLED

сылка	Номер детали	Кол-во	Описание
38	NSS	1	NOT SERVICED SEPARATELY, Cap
39	NSS	1	NOT SERVICED SEPARATELY, Poppet
40	NSS	1	NOT SERVICED SEPARATELY, Body, Poppet
41	NSS	1	NOT SERVICED SEPARATELY, Spring
42	1957964C1	1	RETAINER, Spring
43	NSS	1	NOT SERVICED SEPARATELY, Spring
44	NSS	1	NOT SERVICED SEPARATELY, Poppet
45	86632547	1	PLUG, Hex Soc, 5/16"-24 ORB, Inc. 46
46	9617873	1	O-RING, 6-1, 90 Duro, .468" ID x .078" Thk,

08-35 HITCH VALVE ASSEMBLY - ELECTRONIC CONTROLLED



KIT

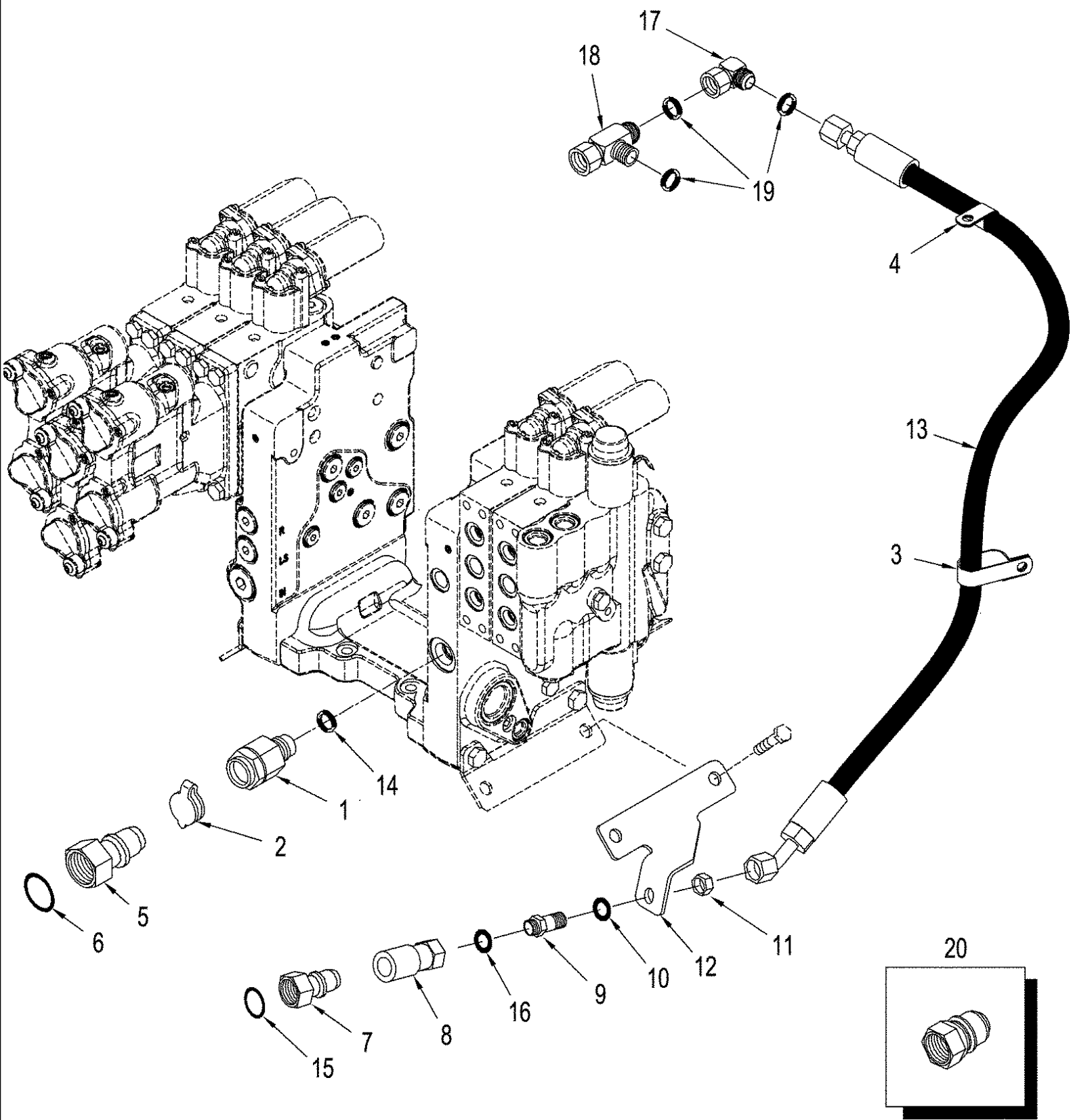
- = 35
- = 36
- ▲ = 37
- = 38
- = 39

STX530 CASE IH 4WD TRACTOR (BTW Z6F100023 - Z6F105001)

08-35 HITCH VALVE ASSEMBLY - ELECTRONIC CONTROLLED

сылка	Номер детали	Кол-во	Описание
	319131A4	1	VALVE, Inc. 1 - 39
1	NSS	1	NOT SERVICED SEPARATELY, Housing
2	NSS	1	NOT SERVICED SEPARATELY, Spool
3	71100209	2	PLUG, Hex Soc, 3/4"-16 ORB, Inc. 4
4	237-6008	2	O-RING, 8-1, 90 Duro, .644" ID x .087" Thk,
5	188104A1	2	SPOOL, Pilot
6	188116A1	2	PIN,
7	188117A1	2	TUBE, Override
8	188105A1	2	SOLENOID, Coil
9	188106A1	2	NUT, Retaining
10	511-10200	1	BALL, 20mm Dia,
11	NSS	1	NOT SERVICED SEPARATELY, Spring, Compression
12	NSS	1	NOT SERVICED SEPARATELY, Plug
13	237-6010	2	O-RING, 10-1, 90 Duro, .755" ID x .097" Thk,
14	NSS	1	NOT SERVICED SEPARATELY, Poppet, Valve
15	NSS	1	NOT SERVICED SEPARATELY, Stem, Servo
16	238-5022	1	O-RING, -022, 70 Duro, .989" ID x .070" Thk,
17	238-5023	1	O-RING, -023, 70 Duro, 1.051" ID x .070" Thk,
18	118111A1	1	TUBE,
19	238-6011	1	O-RING, -011, 90 Duro, .301" ID x .070" Thk,
20	373767A1	1	RING,
21	NSS	1	NOT SERVICED SEPARATELY, Seat
22	NSS	1	NOT SERVICED SEPARATELY, Poppet Valve
23	NSS	1	NOT SERVICED SEPARATELY, Spring, Compression
24	NSS	1	NOT SERVICED SEPARATELY, Plug
25	238-5014	1	O-RING, -014, 70 Duro, .489" ID x .070" Thk,
26	238-5142	1	O-RING, -142, 90 Duro, 2.362" ID x .103" Thk,
27	238-6117	3	O-RING, -117, 90 Duro, .799" ID x .103" Thk,
28	238-6112	5	O-RING, -112, 90 Duro, .487" ID x .103" Thk,
29	373761A1	1	PLUG,
30	237-6004	1	O-RING, 4-1, 90 Duro, .351" ID x .072" Thk,
31	237-6003	2	O-RING, 3-1, .301" ID x .064" Thk,
32	86529630	2	PLUG, Hex Soc, 3/8"-24 ORB,
33	237-6003	2	O-RING, 3-1, .301" ID x .064" Thk,
34	373758A1	1	VALVE, Load Sense
35	373756A1	1	KIT, Relief
36	373757A1	1	KIT, Seal
37	243254A1	2	KIT, Solenoid
38	87430152	1	KIT, SERVICE, Meterout
39	87423671	1	KIT, SPRING, Valve Load Drop Check

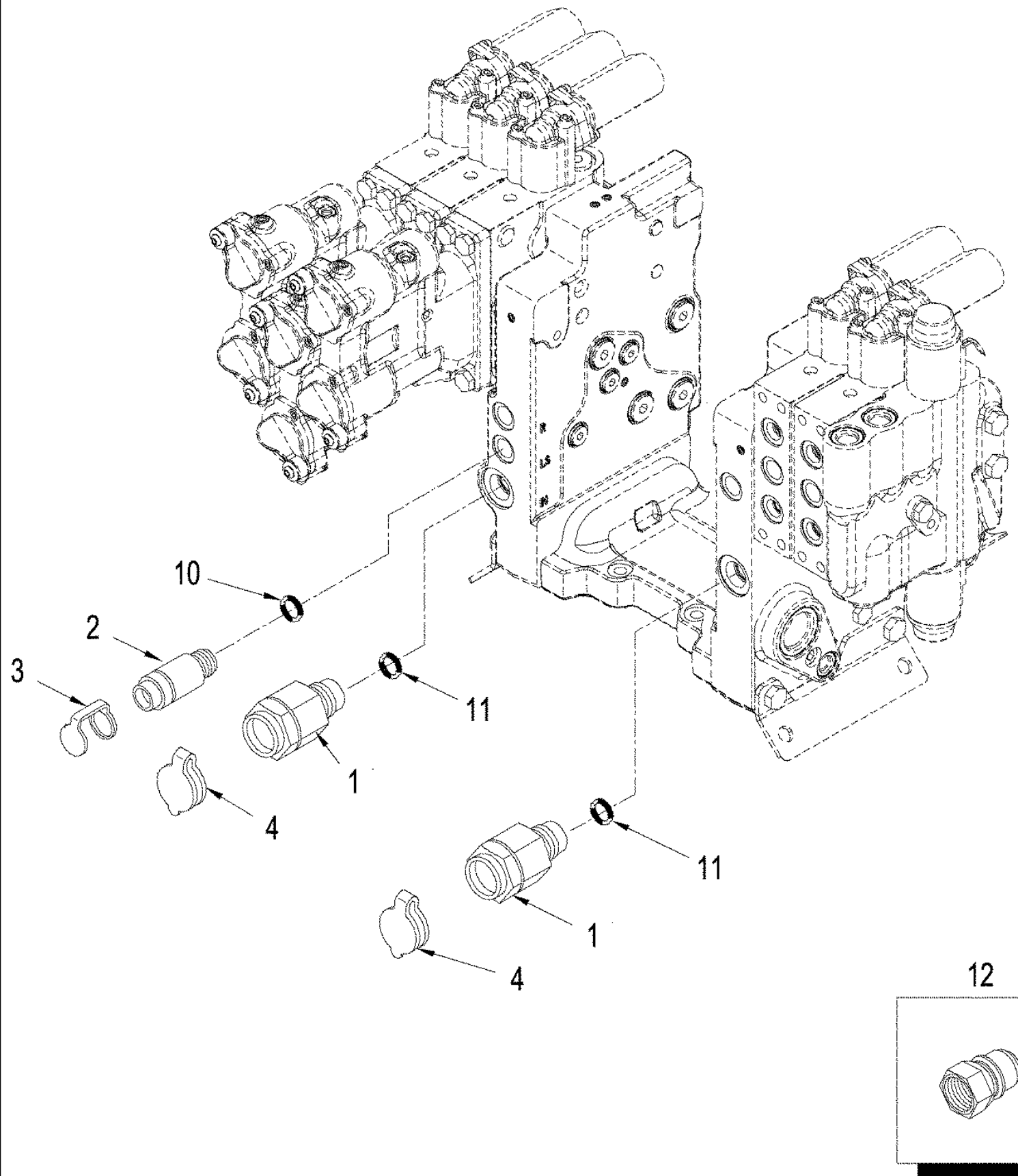
08-36 MOTOR RETURN



STX530 CASE IH 4WD TRACTOR (BTW Z6F100023 - Z6F105001)

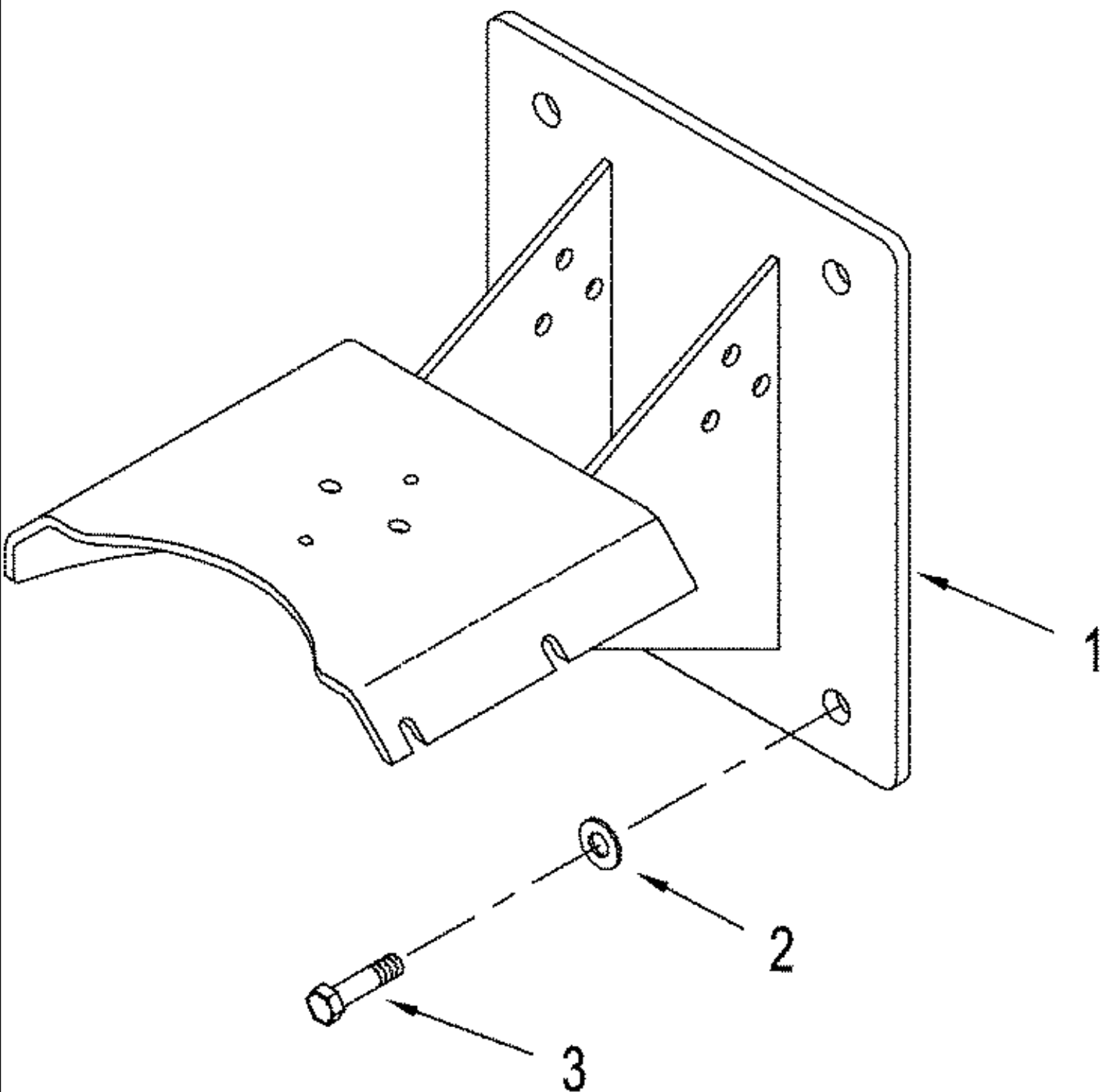
08-36 MOTOR RETURN

сылка	Номер детали	Кол-во	Описание
1	298291A1	1	BODY, Hydr., 3/4", Auxiliary, Main Return
2	334216A1	1	CAP, Dust
3	515-23206	1	CLAMP, 13/16", Insul, 3/8" Bolt,
4	R54363	1	CLAMP,
5	347755A1	1	COUPLING, Hydr., 3/4" Male x 1-1/16" Female orb, Inc. 6
6	237-6012	1	O-RING, 12-1, 90 Duro, .924 ID x .118" Thk,
7	385358A1	1	COUPLING, Hydr., 1/2" Male x 3/8" Female orb, Inc. 15
8	385357A1	1	COUPLING, Hydr., Female
9	436249A1	1	FITTING, Fitting, 3/4" or x 13/16" fc sl, Inc. 10 & 16
10	238-6014	1	O-RING, -014, 90 Duro, .489" ID x .070" Thk,
11	701-903	1	NUT, LOCK, 13/16"-16, ORFS Blkh, d,
12	442477A2	1	BRACKET, Motor Drain
13	444060A1	1	HOSE ASSY., 2171 mm (85 in)
13	436753A1	1	HOSE ASSY., 1651 mm (65-3/4"), QUADTRAC Tractor
13	87424337	1	HOSE ASSY., 1651 mm (65-3/4"), Arctic QUADTRAC Tractor Application
14	637-64236	2	O-RING, CI 6, 23.6MM ID x 2.9 Thk,
15	237-6008	1	O-RING, 8-1, 90 Duro, .644" ID x .087" Thk,
16	237-6006	1	O-RING, 6-1, 90 Duro, .468" ID x .078" Thk,
17	701-320	1	ELBOW, 90°, 13/16"-16 ORFS x 13/16"-16 Fem Sw, Inc. 19
18	701-416	1	TEE, 13/16"-16 ORFS x 13/16"-16 Fem Sw Run, Inc. 19
19	238-6014	3	O-RING, -014, 90 Duro, .489" ID x .070" Thk,
20	87335428	1	FITTING, Implement Coupler, Steel, 1/2"-14 nptf
20	87335430	1	FITTING, Implement Coupler, Steel, 3/4"-16 orb
20	87335431	1	FITTING, Implement Coupler, Steel, 7/8"-14 orb
	719517003	1	KIT, Motor Return / Power Beyond, Inc. 1 - 13



08-37 COUPLERS - POWER BEYOND

сылка	Номер детали	Кол-во	Описание
1	298291A1	2	BODY, Hydr., 3/4", Auxiliary
2	294603A1	1	BODY, Hydr., 1/4", Auxiliary
3	334218A1	1	CAP, Dust
4	334216A1	2	CAP, Dust
5	347755A1	2	COUPLING, Hydr., 3/4", Inc. 10, Not Illustrated
6	237-6012	2	O-RING, 12-1, 90 Duro, .924 ID x .118" Thk, Not Illustrated
7	347756A1	2	COUPLING, Hydr., 1/4", Inc. 8, Not Illustrated
8	237-6006	2	O-RING, 6-1, 90 Duro, .468" ID x .078" Thk, Not Illustrated
9	385358A1	1	COUPLING, Hydr., 3/8", Case Drain, Not Illustrated
10	637-63153	1	O-RING, CI 6, 15.3MM ID x 2.2 Thk,
11	637-64236	2	O-RING, CI 6, 23.6MM ID x 2.9 Thk,
12	87335428	1	FITTING, Implement Coupler, 1/2"-14 nptf
12	87335430	1	FITTING, Implement Coupler, 3/4"-16 orb
12	87335431	1	FITTING, Implement Coupler, 7/8"-14 orb
	719517003	1	KIT, Motor Return / Power Beyond, Inc. 1 - 9

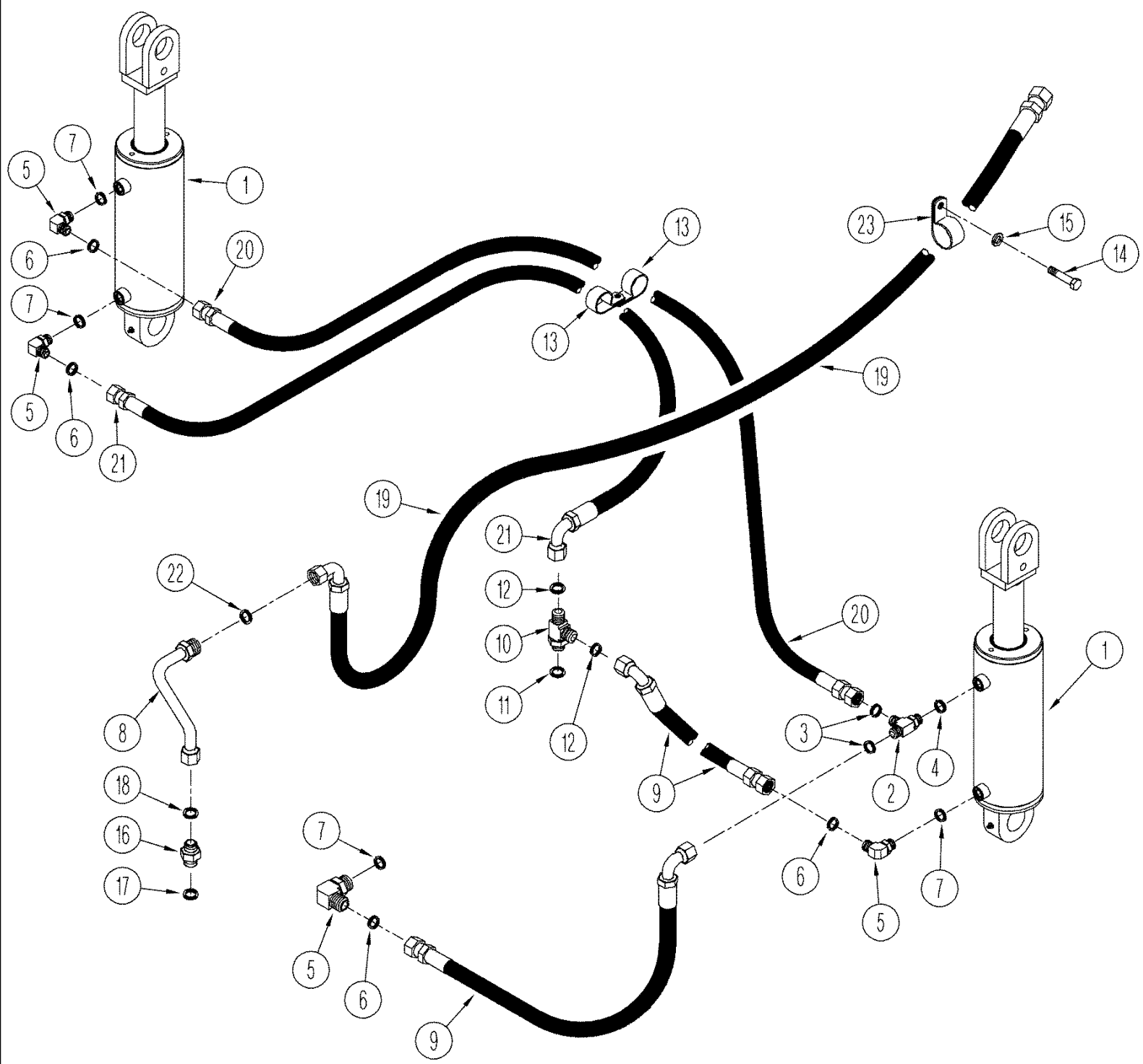


STX530 CASE IH 4WD TRACTOR (BTW Z6F100023 - Z6F105001)

08-38 COUPLER MOUNTS - WITHOUT POWER TAKEOFF AND THREE POINT HITCH

сылка	Номер детали	Кол-во	Описание
1	87311759	1	MOUNTING PARTS, Auxiliary Valve
2	896-11020	4	WASHER, M20 x 37.5 x 4, HT,
3	827-20100	4	BOLT, Hex, M20 x 100, 10.9,

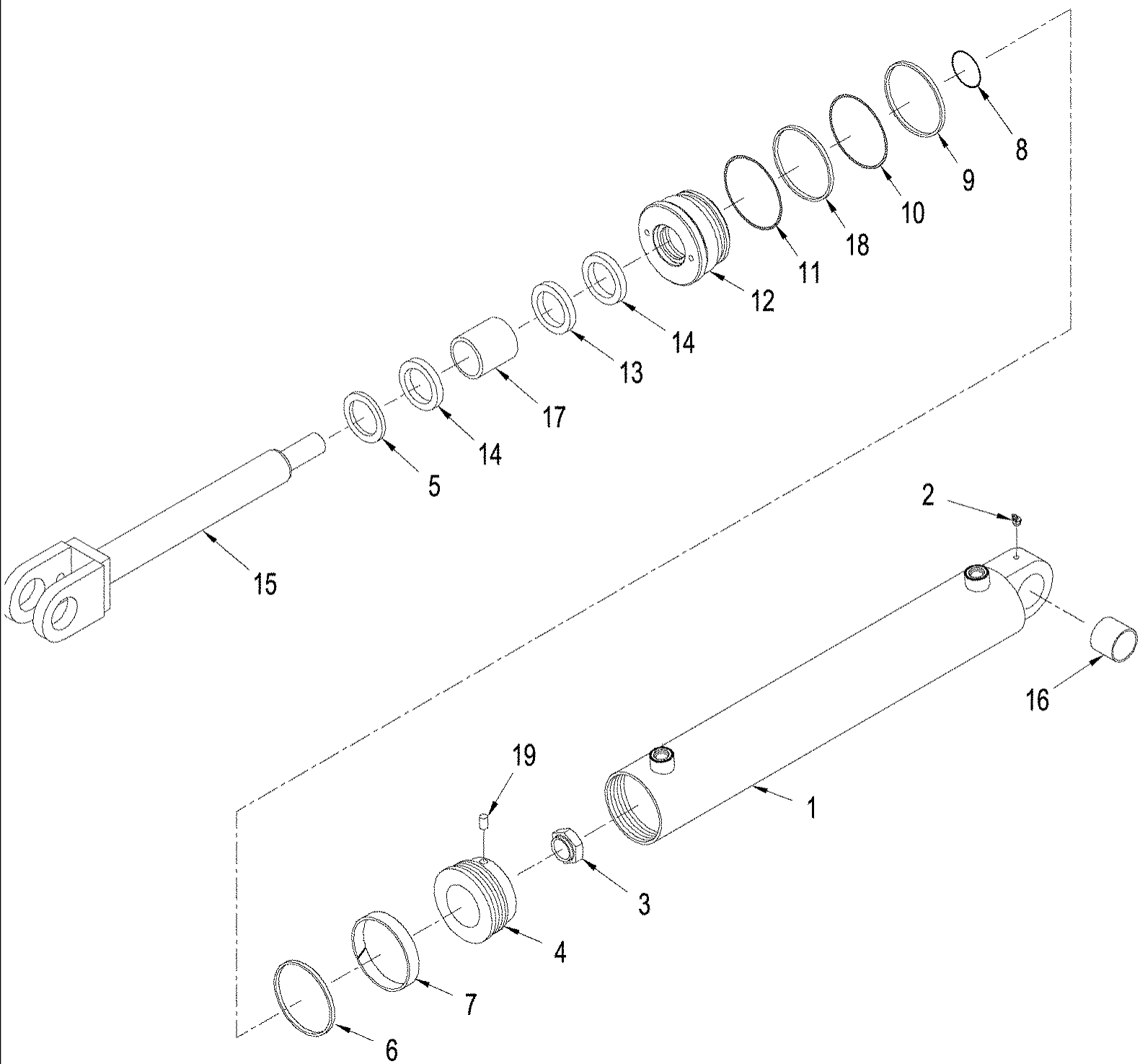
08-39 THREE POINT HITCH HYDRAULICS - ELECTRONIC CONTROLLED HITCH SYSTEM



08-39 THREE POINT HITCH HYDRAULICS - ELECTRONIC CONTROLLED HITCH SYSTEM

сылка	Номер детали	Кол-во	Описание
1	87304295	2	CYLINDER, See Figure: 08-40
2	700-412	1	TEE, 13/16"-16 ORFS x M18 x 1.5 ORB Run, Inc. 3, 4
3	238-6014	2	O-RING, -014, 90 Duro, .489" ID x .070" Thk,
4	637-63153	1	O-RING, CI 6, 15.3MM ID x 2.2 Thk,
5	700-305	4	ELBOW, 90є, 13/16"-18 ORFS x M18 x 1.5 ORB, Inc. 6, 7
6	238-6014	4	O-RING, -014, 90 Duro, .489" ID x .070" Thk,
7	637-63153	4	O-RING, CI 6, 15.3MM ID x 2.2 Thk,
8	370980A1	1	TUBE ASSY.,
9	360496A1	2	HOSE ASSY., 505 mm (20 in), Cylinder Supply
10	700-445	1	TEE, 13/16"-16 ORFS x M22 x 1.5 ORB Run, Inc. 11, 12
11	637-63193	1	O-RING, CI 6, 19.3MM ID x 2.2 Thk,
12	238-6014	2	O-RING, -014, 90 Duro, .489" ID x .070" Thk,
13	515-23206	4	CLAMP, 13/16", Insul, 3/8" Bolt, P-type
14	627-8016	1	BOLT, Hex, M8 x 16, 10.9,
16	700-103	1	CONNECTOR, HYD., 1"-14 ORFS x M22 x 1.5 ORB, Incl. 17, 18
17	637-63193	1	O-RING, CI 6, 19.3MM ID x 2.2 Thk,
18	238-6016	1	O-RING, -016, 90 Duro, .614" ID x .070" Thk,
19	87427995	1	HOSE ASSY., 3540 mm (139 in), Return
20	394732A1	1	HOSE ASSY., 1410 mm (55-1/2 in), Return
21	394733A1	1	HOSE ASSY., 1397 mm (55 in), Pressure Line
22	238-6016	2	O-RING, -016, 90 Duro, .614" ID x .070" Thk,
23	515-23286	1	CLAMP, 1 1/8", Insul, 3/8" Bolt,
15	895-11008	5	WASHER, M8 x 16 x 1.6,

08-40 CYLINDER ASSY - THREE POINT HITCH

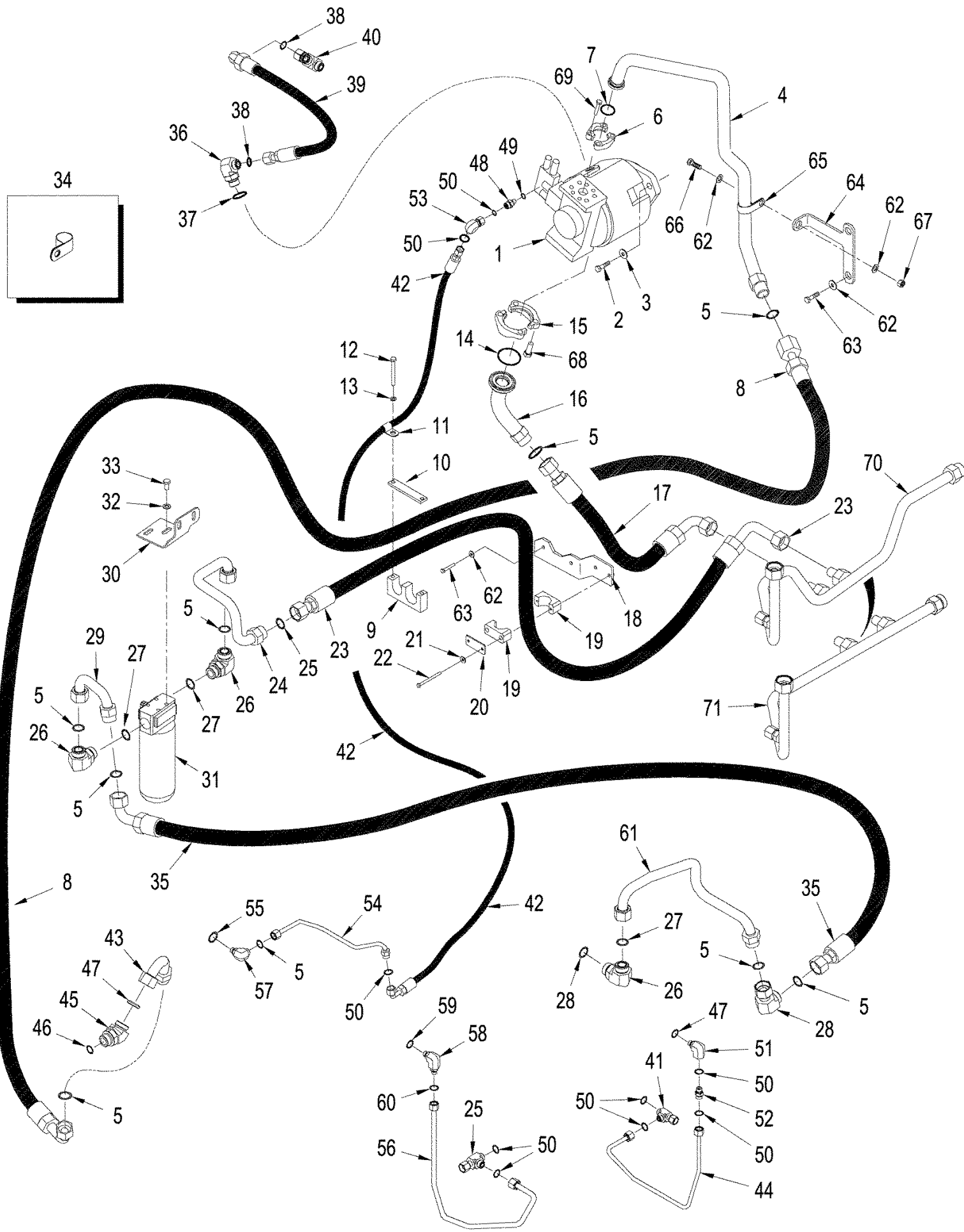


STX530 CASE IH 4WD TRACTOR (BTW Z6F100023 - Z6F105001)

08-40 CYLINDER ASSY - THREE POINT HITCH

сылка	Номер детали	Кол-во	Описание
	87304295	1	CYLINDER, Three Point Hitch, Lift, Inc. 1 - 17
1	87378711	1	TUBE, Barrel
2	219-36	1	NIPPLE, LUBE, 45с, 1/8" NPT x 7/8" lg,
3	NSS	1	NOT SERVICED SEPARATELY, Nut
4	87378709	1	PISTON, TPH Cylinder Assy.
5	87378712	1	WASHER, Ring
6	NSS	1	NOT SERVICED SEPARATELY, Seal, Piston
7	NSS	2	NOT SERVICED SEPARATELY, Ring, Wear
8	NSS	1	NOT SERVICED SEPARATELY, O-Ring
9	NSS	1	NOT SERVICED SEPARATELY, Ring, Backup
10	NSS	1	NOT SERVICED SEPARATELY, O-Ring
11	NSS	1	NOT SERVICED SEPARATELY, O-Ring
12	87378710	1	COVER, TPH Cylinder Assy.
13	NSS	1	NOT SERVICED SEPARATELY, Seal
14	NSS	2	NOT SERVICED SEPARATELY, Wiper
15	87378708	1	ROD, Piston
16	87378707	1	BUSHING,
17	NSS	1	NOT SERVICED SEPARATELY, Bearing, Wear
18	87378712	1	WASHER,
19	NSS	1	NOT SERVICED SEPARATELY, Screw, Set
	87378692	1	KIT, Seal, Inc. 5 - 11, 13, 14

08-41 HYDRAULICS - TWIN FLOW CIRCUITRY



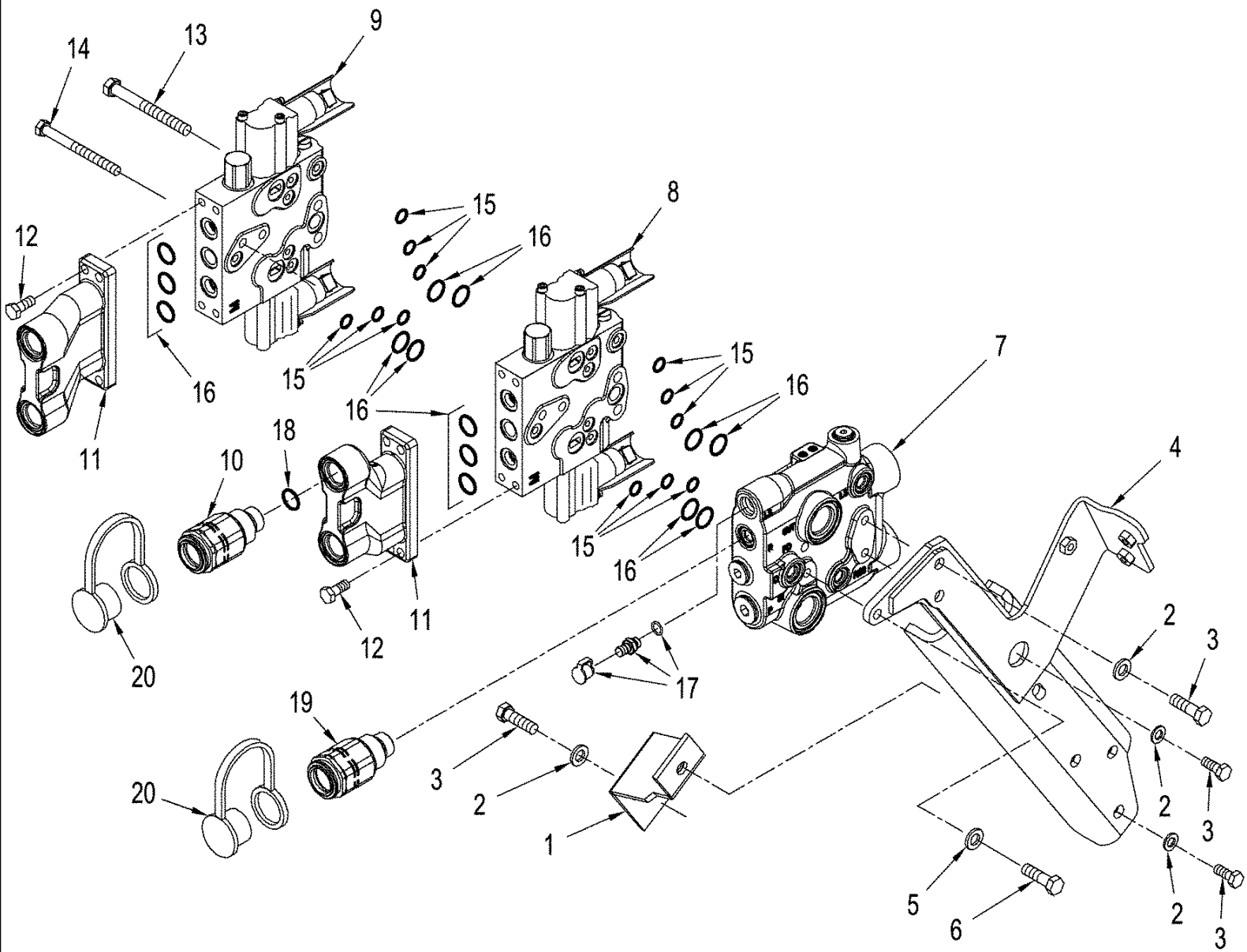
08-41 HYDRAULICS - TWIN FLOW CIRCUITRY

сылка	Номер детали	Кол-во	Описание
1	407476A1	1	PUMP, HYDRAULIC, Twin Flow, See Figure: 08-44
2	627-16055	2	BOLT, , With Manual Shift Transmission
2	627-16045	2	BOLT, Hex, M16 x 45, 10.9, , With Power Shift Transmission
3	896-11016	2	WASHER, M17.5 x 30 x 4, HT,
4	87576188	1	TUBE, Pressure Pump
6	A12306	2	FLANGE, Split, 1
7	238-6219	1	O-RING, -219, 90 Duro, 1.296" ID x .139" Thk,
8	87615313	1	HOSE ASSY., 2942 mm (116")
9	87578492	1	CLAMP, HOSE,
10	414856A1	1	PLATE,
11	515-25159	1	CLAMP, 5/8", Insul, 1/2" Bolt,
12	827-8080	2	BOLT, Hex, M8 x 80, 10.9,
14	238-6228	1	O-RING, -228, 90 Duro, 2.234" ID x .139" Thk,
15	A14141	2	FLANGE, Split, 2
16	414077A1	1	TUBE,
17	414196A1	1	HOSE, 825 mm (32")
18	433047A2	1	BRACKET,
19	429384A1	2	CLAMP,
20	429414A1	1	PLATE, COVER,
21	895-25006	2	WASHER, M6 x 18 x 1.6,
22	827-6080	2	BOLT, Hex, M6 x 80, 10.9,
23	414464A1	1	HOSE, 1626 mm (64")
24	419661A1	1	TUBE,
25	701-416	1	TEE, 13/16"-16 ORFS x 13/16"-16 Fem Sw Run, Inc. 50
26	700-308	3	ELBOW, 90e, 1 7/16"-12 ORFS x M33 x 2 ORB, Inc. 5 & 27
27	637-64296	1	O-RING, CI 6, 29.6MM ID x 2.9 Thk,
28	701-339	1	ELBOW, 90e, 1 7/16"-12 ORFS x 1 7/16"-12 Fem Sw, Inc. 5
29	419655A1	1	TUBE,
30	87341623	1	BRACKET, Mounting, Twin Flow Hydraulic Filter
31	414219A1	1	FILTER, Twin Flow Hydraulic, See Figure: 08-45
32	895-11010	4	WASHER, M10 x 20 x 2,
33	627-10020	2	BOLT, Hex, M10 x 20, 10.9, Full Thd,
34	515-23254	1	CLAMP, 1", Insul, 3/8" Bolt,
34	515-2495	1	CLAMP, 3/8", Insul, 7/16" Bolt,
35	414854A1	1	HOSE, 1956 mm (77")
36	201-306	1	ELBOW, 90e, 1"-14 x 7/8"-14 Adj, ORFS, Inc. 37, 38
37	237-6010	1	O-RING, 10-1, 90 Duro, .755" ID x .097" Thk,
38	238-6016	2	O-RING, -016, 90 Duro, .614" ID x .070" Thk,
39	431461A1	1	HOSE ASSY., 737 mm (29")
40	701-433	1	TEE, 1"-14 ORFS x 1"-14 Fem Sw Run, Inc. 38
42	414855A1	1	HOSE, 2870 mm (113")
41	701-422	1	TEE, 11/16"-16 ORFS x 11/16"-16 Fem Sw Run, Inc. 50
43	429941A2	1	TUBE,
44	430536A1	1	TUBE,
45	700-318	1	ELBOW, 45e, 1 7/16"-12 ORFS x M33 x 2 ORB, Inc. 5 & 46

STX530 CASE IH 4WD TRACTOR (BTW Z6F100023 - Z6F105001)

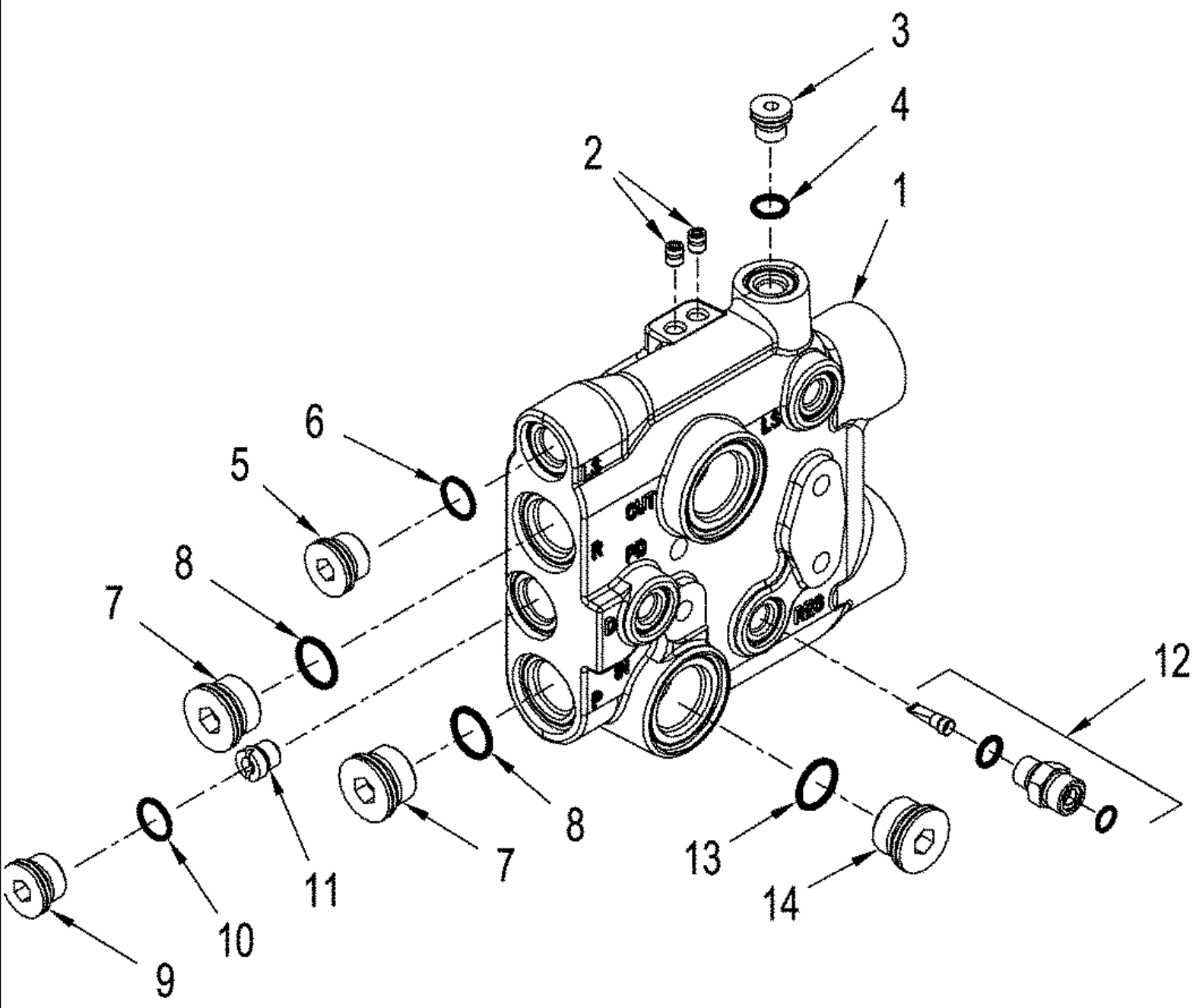
08-41 HYDRAULICS - TWIN FLOW CIRCUITRY

сылка	Номер детали	Кол-во	Описание
46	637-64296	1	O-RING, CI 6, 29.6MM ID x 2.9 Thk,
47	637-63113	1	O-RING, CI 6, 11.3MM ID x 2.2 Thk,
48	1957867C1	1	SCREEN, FILTER, 1/4" orb x 3/8" fc sl, Inc. 49, 50
50	238-6012	8	O-RING, -012, 90 Duro, .364" ID x .070" Thk,
51	428078A1	1	ELBOW, 90, M14 orb, Inc. 47
52	334923A1	1	SCREEN,
53	701-319	1	ELBOW, 90e, 11/16"-16 ORFS x 11/16"-16 Fem Sw, Incl. 50
54	429943A2	1	TUBE,
55	637-63113	1	O-RING, CI 6, 11.3MM ID x 2.2 Thk,
56	445701A1	1	TUBE, HYD,
57	700-304	1	ELBOW, 90e, 11/16"-18 ORFS x M14 x 1.5 ORB, Incl. 5 & 55
58	700-332	1	ELBOW, 90e, 13/16"-18 ORFS x M14 x 1.5 ORB, Inc. 59, 60
59	637-63113	1	O-RING, CI 6, 11.3MM ID x 2.2 Thk,
60	238-6014	1	O-RING, -014, 90 Duro, .489" ID x .070" Thk,
61	419684A1	1	TUBE,
62	418816A2	1	TUBE ASSY., Pump Supply, STX Wheel Tractor
63	87311041	2	TUBE, HYD, Pump Supply, QUADTRAC Tractor
64	896-11012	2	WASHER, M13.5 x 24.5 x 3, HT,
65	514-842	2	BOLT, Hex, M12 x 1.25 x 25, 8.8, Full Thd,
5	238-6021	13	O-RING, -021, 90 Duro, .926" ID x .070" Thk,
13	895-11008	2	WASHER, M8 x 16 x 1.6,



08-42 TWIN FLOW HYDRAULICS - AUXILIARY REMOTE MOUNTING

сылка	Номер детали	Кол-во	Описание
1	429731A1	1	GUSSET, Support
2	896-11012	5	WASHER, M13.5 x 24.5 x 3, HT,
3	627-12040	5	BOLT, Hex, M12 x 40, 10.9, Full Thd,
4	429730A2	1	BRACKET, Mounting, Twin Flow Remote Auxiliary
5	895-11010	1	WASHER, M10 x 20 x 2,
6	627-12025	1	BOLT, Hex, M12 x 25, 10.9,
	411978A4	1	VALVE, HYDRAULIC, Two Section, Inc. 7 - 16
7	418456A4	1	MANIFOLD, Inlet / Outlet, See Figure: 08-43
8	393973A2	1	VALVE, Auxiliary, Right-Hand, See Figure: 08-34
9	292295A3	1	VALVE, Auxiliary, Main, See Figure: 08-34
	418704A2	2	COUPLING, Inc. 10, 11
10	440646A1	2	COUPLING, BREAK AWAY,
11	418705A1	1	COUPLING,
12	628-10025	8	BOLT, Hex, M10 x 25, 10.9, Full Thd,
13	828-12110	2	BOLT, Hex, M12 x 110, 10.9,
14	827-10110	1	BOLT, Hex, M10 x 110, 10.9,
15	238-6112	12	O-RING, -112, 90 Duro, .487" ID x .103" Thk,
16	238-6117	12	O-RING, -117, 90 Duro, .799" ID x .103" Thk,
17	358968A1	1	COUPLING, Diagnostics
18	86598103	2	O-RING, CI 6, 23.6MM ID x 2.9 Thk,
19	298291A1	1	BODY, Coupler, Auxiliary, 3/4"
20	334216A1	5	CAP, Dust

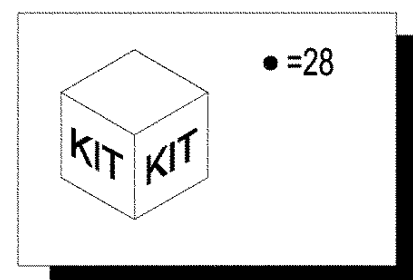
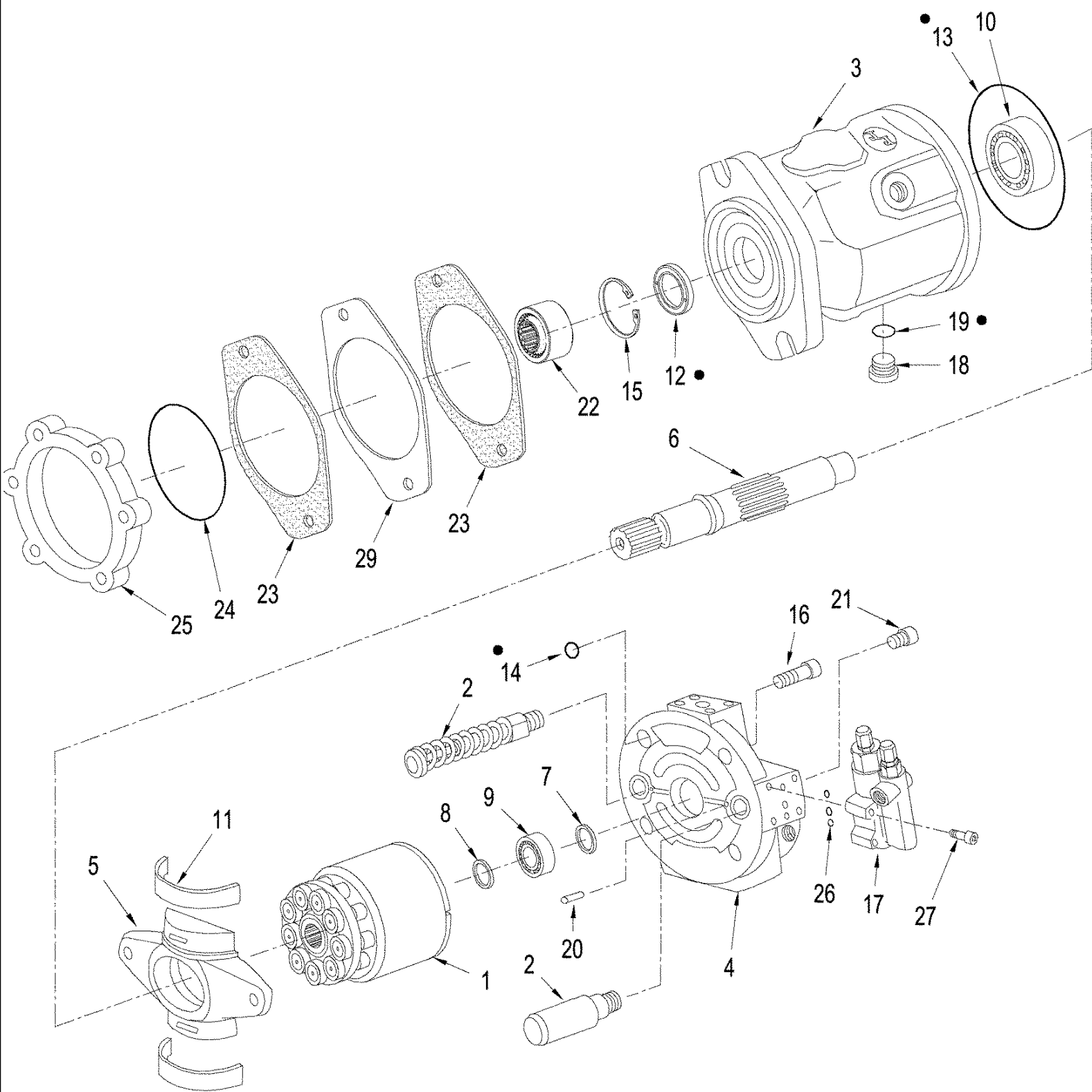


STX530 CASE IH 4WD TRACTOR (BTW Z6F100023 - Z6F105001)

08-43 TWIN FLOW HYDRAULIC MANIFOLD ASSY.

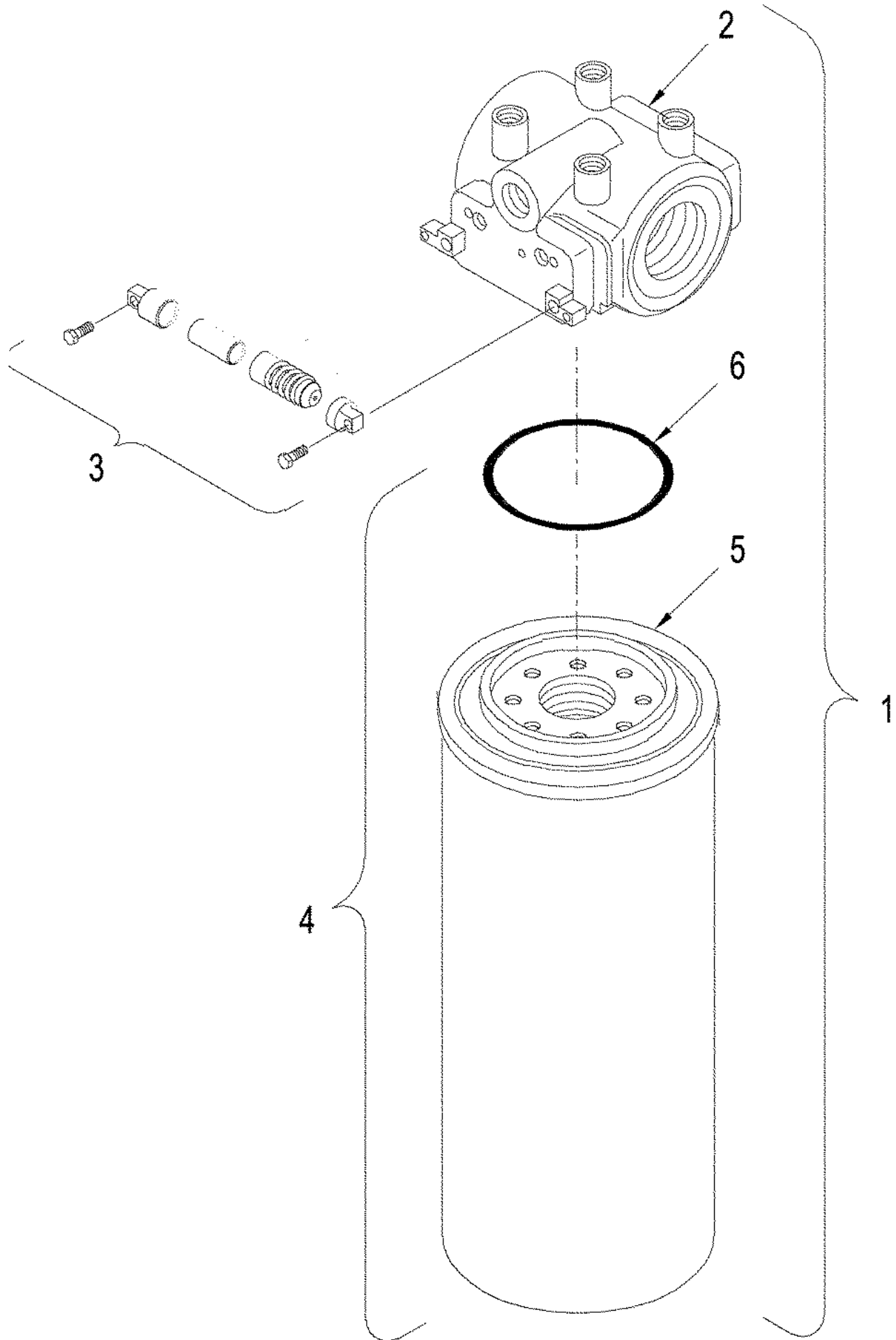
сылка	Номер детали	Кол-во	Описание
	418456A4	1	MANIFOLD, Inlet / Outlet, Inc. 1 - 13
1	NSS	1	NOT SERVICED SEPARATELY, Body
2	353828A1	2	PLUG, Expansion
3	221576A1	1	PLUG, Hex Soc, M14 x 1.5, ORB, Inc. 4
4	637-63113	1	O-RING, CI 6, 11.3MM ID x 2.2 Thk,
5	221578A1	1	PLUG, Hex Soc, M18 x 1.5, ORB, Inc. 6
6	637-63153	1	O-RING, CI 6, 15.3MM ID x 2.2 Thk,
7	221580A1	2	PLUG, Hex Soc, M27 x 2, ORB, Inc. 8
8	637-64236	1	O-RING, CI 6, 23.6MM ID x 2.9 Thk,
9	221579A1	1	PLUG, Hex Soc, M22 x 1.5, ORB, Inc. 10
10	637-63193	1	O-RING, CI 6, 19.3MM ID x 2.2 Thk,
11	431479A1	1	VALVE, CHECK,
12	334923A1	1	SCREEN,
13	221527A1	2	PLUG, Hex Soc, M33 x 2, ORB, Inc. 14
14	637-64296	2	O-RING, CI 6, 29.6MM ID x 2.9 Thk,

08-44 TWIN FLOW HYDRAULIC PUMP ASSY



08-44 TWIN FLOW HYDRAULIC PUMP ASSY

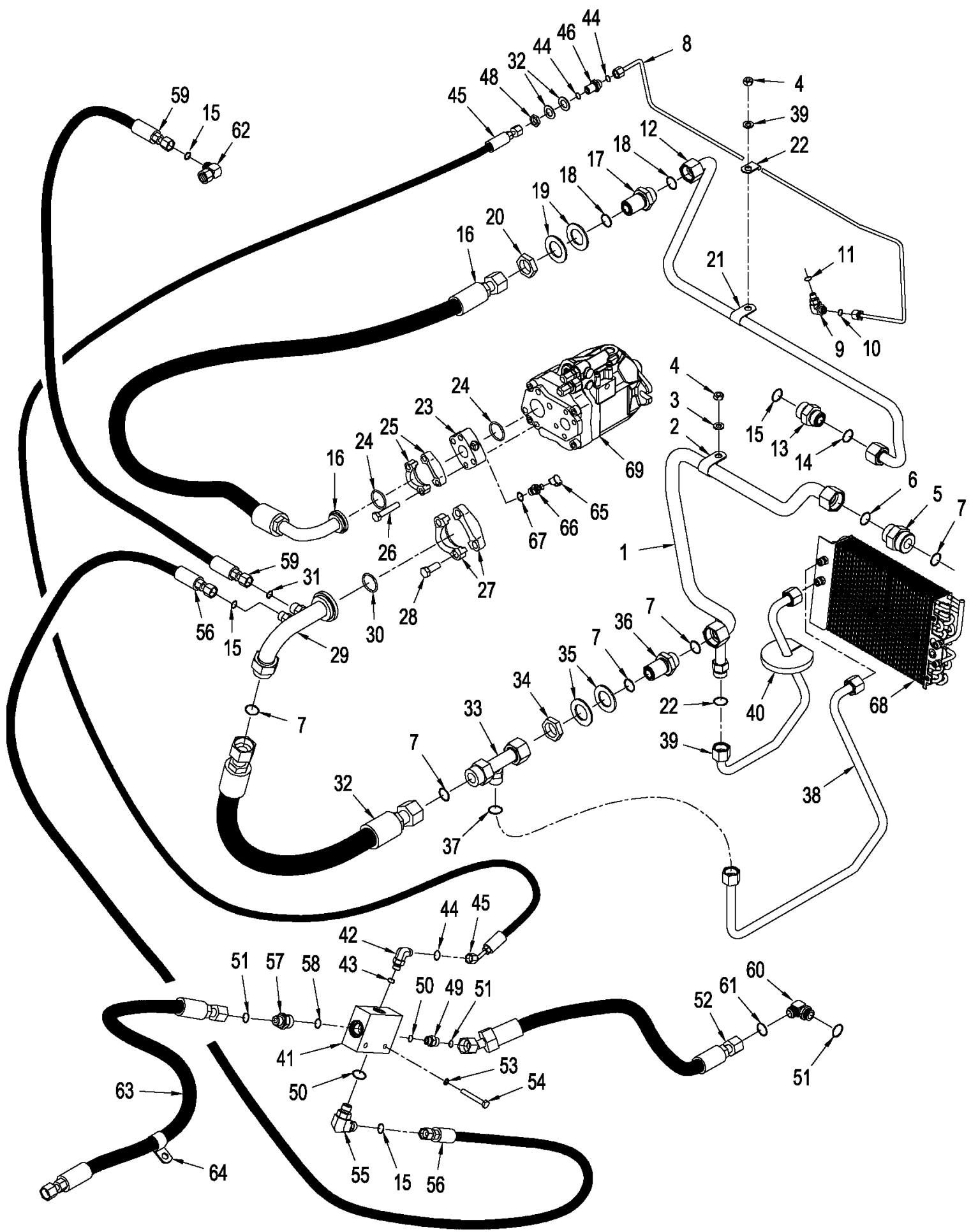
сылка	Номер детали	Кол-во	Описание
	407476A1	1	PUMP, HYDRAULIC, Inc. 1 - 22
1	NSS	1	NOT SERVICED SEPARATELY, Cylinder Assy
2	NSS	1	NOT SERVICED SEPARATELY, Piston Assy, Control
3	NSS	1	NOT SERVICED SEPARATELY, Housing
4	NSS	1	NOT SERVICED SEPARATELY, Block
5	NSS	1	NOT SERVICED SEPARATELY, Plate, Swash
6	NSS	1	NOT SERVICED SEPARATELY, Shaft
7	NSS	1	NOT SERVICED SEPARATELY, Washer
8	NSS	1	NOT SERVICED SEPARATELY, Spacer
9	NSS	1	NOT SERVICED SEPARATELY, Bearing, Roller
10	NSS	1	NOT SERVICED SEPARATELY, Bearing, Roller
11	NSS	2	NOT SERVICED SEPARATELY, Support
12	NSS	1	NOT SERVICED SEPARATELY, Seal
13	NSS	1	NOT SERVICED SEPARATELY, O-Ring
14	NSS	4	NOT SERVICED SEPARATELY, O-Ring
15	NSS	1	NOT SERVICED SEPARATELY, Ring, Snap
16	NSS	4	NOT SERVICED SEPARATELY, Screw
17	352875A2	1	VALVE, CONTROL,
18	NSS	1	NOT SERVICED SEPARATELY, Plug
19	NSS	1	NOT SERVICED SEPARATELY, O-Ring
20	NSS	1	NOT SERVICED SEPARATELY, Pin
21	NSS	2	NOT SERVICED SEPARATELY, Screw
22	430337A1	1	COUPLING, , With Manual Shift Transmission
22	432675A1	1	COUPLING, , With Power Shift Transmission
23	D53692	2	GASKET, , With Power Shift Transmission
24	238-5256	1	O-RING, -256, 70 Duro, 5.734" ID x .139" Thk,
25	414192A1	1	FLANGE, Adapter, With Manual Shift Transmission
26	410995A1	3	O-RING, Control Valve
27	426-620	4	BOLT, Hex, 3/8"-16 x 1 1/4", G8, Full Thd,
28	388293A1	1	KIT, SEALS,
29	86991869	1	SPACER, , With Power Shift Transmission



STX530 CASE IH 4WD TRACTOR (BTW Z6F100023 - Z6F105001)

08-45 OIL FILTER - TWIN FLOW HYDRAULICS

сылка	Номер детали	Кол-во	Описание
1	414219A1	2	FILTER, Twin Flow Hydraulic, Inc. 2 - 6
2	NSS	1	NOT SERVICED SEPARATELY, Head
3	440086A1	1	INDICATOR, Restriction
4	1346028C1	1	ELEMENT, Inc. 5, 6
5	NSS	1	NOT SERVICED SEPARATELY, Element
6	NSS	1	NOT SERVICED SEPARATELY, O-Ring



STX530 CASE IH 4WD TRACTOR (BTW Z6F100023 - Z6F105001)

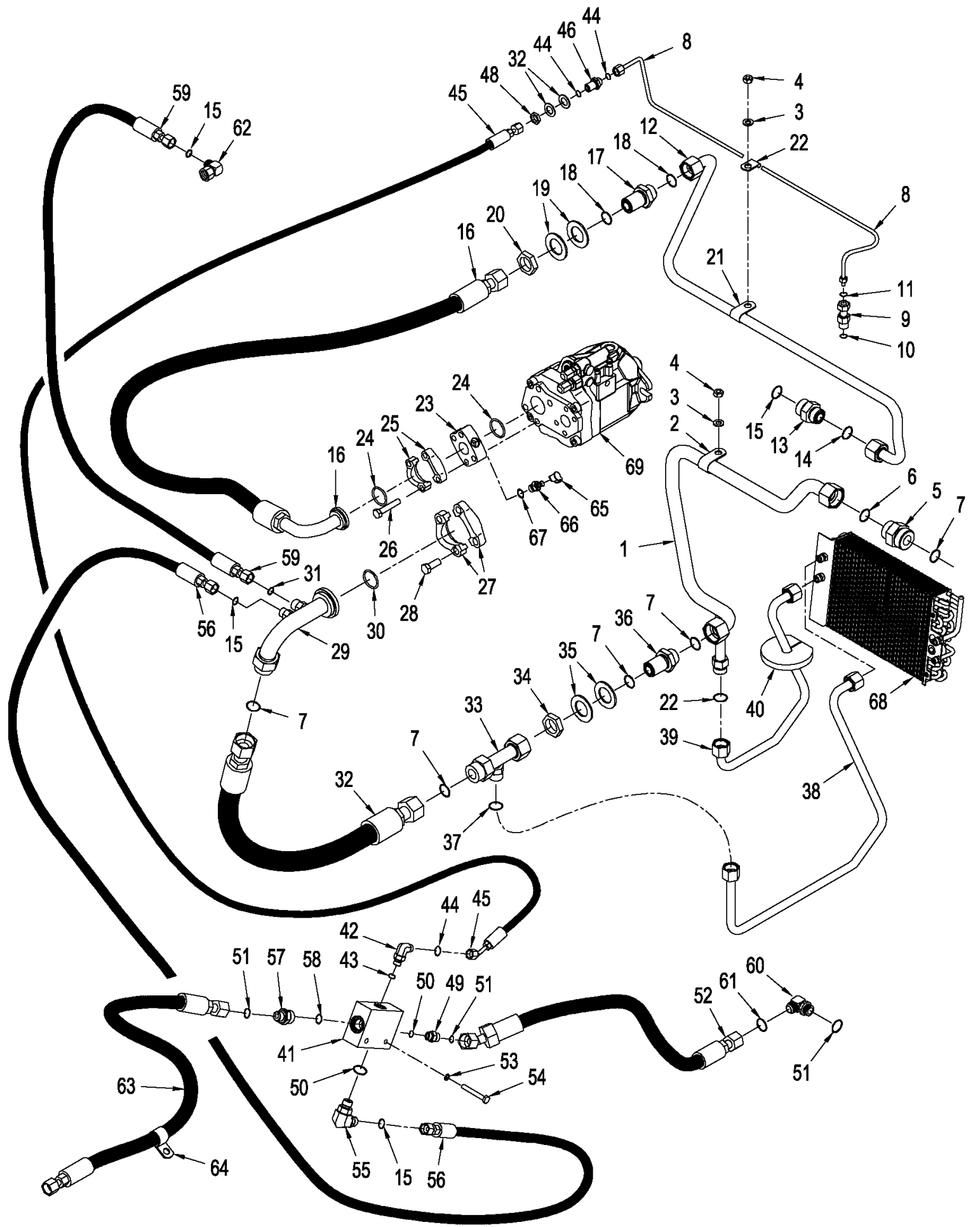
08-46 HYDRAULICS - FAN DRIVE CIRCUITRY, BSN Z6F100996

сылка	Номер детали	Кол-во	Описание
1	87344565	1	TUBE, HYD, Fan Return
2	515-25254	1	CLAMP, 1", Insul, 1/2" Bolt,
3	895-11010	3	WASHER, M10 x 20 x 2,
4	829-1410	3	NUT, M10, CI 10,
5	201-122	1	CONNECTOR, HYD., 1 7/16"-12 ORFS x 1 5/8"-12 ORB, Inc. 6 & 7
6	237-6020	1	O-RING, 20-1, 90 Duro, 1.475" ID x .118" Thk,
7	238-6021	5	O-RING, -021, 90 Duro, .926" ID x .070" Thk,
8	87437447	1	TUBE ASSY., Tube, Case Drain
9	201-303	1	ELBOW, 90e, 9/16"-18 x 7/16"-20 Adj, ORFS, Inc. 10 & 11
10	237-6004	1	O-RING, 4-1, 90 Duro, .351" ID x .072" Thk,
11	238-6011	1	O-RING, -011, 90 Duro, .301" ID x .070" Thk,
12	87437445	1	TUBE ASSY., Pressure Supply
13	201-129	1	CONNECTOR, HYD., 1 3/16"-12 ORFS x 1 5/16"-12 ORB, Inc. 14 & 15
14	237-6016	1	O-RING, 16-1, 90 Duro, 1.171" ID x .118" Thk,
15	238-6012	4	O-RING, -012, 90 Duro, .364" ID x .070" Thk,
16	87436044	1	HOSE ASSY., 876 mm (34-1/2")
17	701-140	1	UNION, 1 3/16"-12 ORFS, Blkd, Inc. 18
18	238-6018	2	O-RING, -018, 90 Duro, .739" ID x .070" Thk,
19	431806A1	2	WASHER,
20	701-1249	1	NUT, LOCK, 1 3/16"-12, ORFS Blkhd,
21	515-25190	2	CLAMP, 3/4", Insul, 1/2" Bolt,
22	238-6016	2	O-RING, -016, 90 Duro, .614" ID x .070" Thk,
23	87440383	1	VALVE BLOCK, 1", Flange Port
24	238-5219	2	O-RING, -219, 70 Duro, 1.296" ID x .139" Thk,
25	A12306	2	FLANGE, Clamp, Half-Split
26	827-10055	4	BOLT, Hex, M10 x 55, 10.9,
27	A14157	1	FLANGE, Clamp, Split, 1,50"
28	627-12030	4	BOLT, Hex, M12 x 30, 10.9,
29	87440350	1	TUBE ASSY., Fan Pump
30	238-5225	1	O-RING, -225, 70 Duro, 1.859" ID x .139" Thk,
31	238-6014	1	O-RING, -014, 90 Duro, .489" ID x .070" Thk,
32	87440035	1	HOSE ASSY.,
33	433891A1	1	TUBE ASSY.,
34	701-908	1	NUT, LOCK, 1 7/16"-12, ORFS Blkhd,
35	431802A1	2	WASHER,
36	434004A1	1	VALVE, CHECK, Blk hd, Inc. 7
37	238-6016	2	O-RING, -016, 90 Duro, .614" ID x .070" Thk,
38	87305670	1	TUBE, HYD, Oil Cooler, Return
39	87344569	1	TUBE, HYD, Oil Cooler, Supply
40	87444087	1	SEAL, Shroud
41	87408680	1	BLOCK, Manifold
42	700-378	1	ELBOW, 90e, 9/16"-18 ORFS x M14 x 1.5 ORB, Inc. 43 & 44
43	637-63113	1	O-RING, CI 6, 11.3MM ID x 2.2 Thk,
44	238-6011	3	O-RING, -011, 90 Duro, .301" ID x .070" Thk,
45	87440034	1	HOSE ASSY., 820 mm (32-1/4")

STX530 CASE IH 4WD TRACTOR (BTW Z6F100023 - Z6F105001)

08-46 HYDRAULICS - FAN DRIVE CIRCUITRY, BSN Z6F100996

сылка	Номер детали	Кол-во	Описание
46	701-108	1	UNION, 9/16"-18 ORFS, Blkd, Inc. 44
47	87307708	2	WASHER,
48	701-1254	1	NUT, LOCK, 9/16"-18, ORFS Blkhd,
49	700-115	1	CONNECTOR, HYD., 1"-14 ORFS x M18 x 1.5 ORB, Inc. 50
50	637-63153	2	O-RING, CI 6, 15.3MM ID x 2.2 Thk,
51	238-6016	3	O-RING, -016, 90 Duro, .614" ID x .070" Thk,
52	87445153	1	HOSE ASSY., 457 mm (18")
53	895-11008	6	WASHER, M8 x 16 x 1.6,
54	827-8060	2	BOLT, Hex, M8 x 60, 10.9,
55	700-345	1	ELBOW, 90є, 11/16"-18 ORFS x M18 x 1.5 ORB, Inc. 15 & 50
56	87437799	1	HOSE ASSY.,
57	700-103	1	CONNECTOR, HYD., 1"-14 ORFS x M22 x 1.5 ORB, Inc. 51 & 58
58	637-63193	1	O-RING, CI 6, 19.3MM ID x 2.2 Thk,
59	87344506	1	HOSE, 2235 mm (88")
60	201-306	1	ELBOW, 90є, 1"-14 x 7/8"-14 Adj, ORFS, Inc. 7 & 61
61	237-6010	1	O-RING, 10-1, 90 Duro, .755" ID x .097" Thk,
62	701-319	1	ELBOW, 90є, 11/16"-16 ORFS x 11/16"-16 Fem Sw, Incl. 15
63	87437797	1	HOSE ASSY., 1714 mm (67-1/2")
64	515-23222	3	CLAMP, 7/8", Insul, 3/8" Bolt,
	178889A1	1	FITTING, Diagnostic, Inc. 66 - 67
65	H434163	1	DUST CAP, Dust
66	NSS	1	NOT SERVICED SEPARATELY, Fitting, Inc. 67
67	637-63113	1	O-RING, CI 6, 11.3MM ID x 2.2 Thk,
68	87434395	1	CONDENSER, Hydraulic Fan
69	87434402	1	PUMP, HYDRAULIC, Hydraulic Fan, See Figure: 08-47



STX530 CASE IH 4WD TRACTOR (BTW Z6F100023 - Z6F105001)

08-46(01) HYDRAULICS - FAN DRIVE CIRCUITRY, ASN Z6F100996

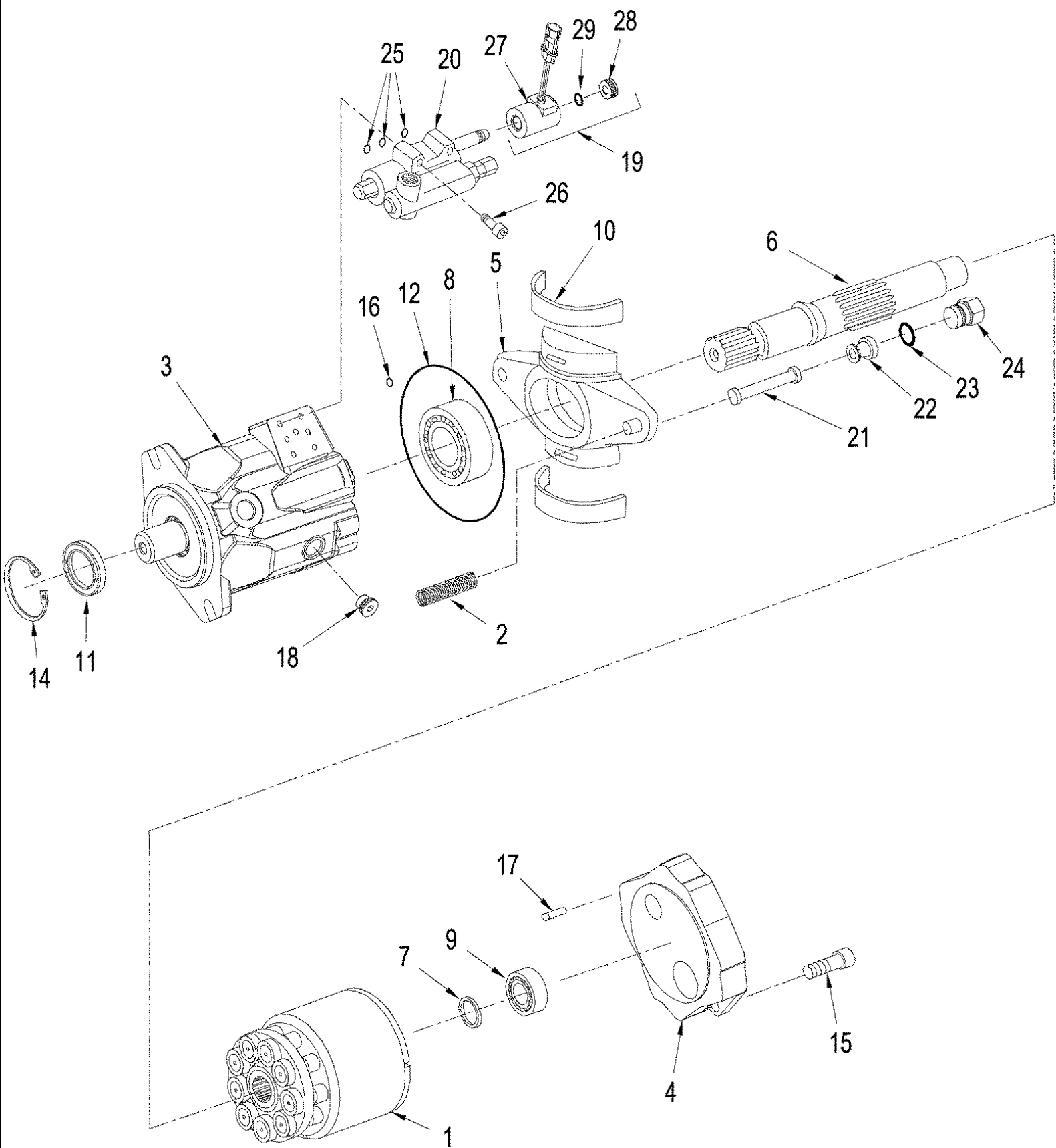
сылка	Номер детали	Кол-во	Описание
1	87387451	1	TUBE, HYD, Fan Return
2	515-25254	1	CLAMP, 1", Insul, 1/2" Bolt,
3	895-11010	3	WASHER, M10 x 20 x 2,
4	829-1410	3	NUT, M10, CI 10,
5	201-122	1	CONNECTOR, HYD., 1 7/16"-12 ORFS x 1 5/8"-12 ORB, Inc. 6 & 7
6	237-6020	1	O-RING, 20-1, 90 Duro, 1.475" ID x .118" Thk,
7	238-6021	5	O-RING, -021, 90 Duro, .926" ID x .070" Thk,
8	87387455	1	TUBE, HYD, Case Drain
9	87530057	1	FITTING, Inc. 10 & 11
10	237-6004	1	O-RING, 4-1, 90 Duro, .351" ID x .072" Thk,
11	238-6011	1	O-RING, -011, 90 Duro, .301" ID x .070" Thk,
12	87387453	1	TUBE, HYD, Pressure Supply
13	201-129	1	CONNECTOR, HYD., 1 3/16"-12 ORFS x 1 5/16"-12 ORB, Inc. 14 & 15
14	237-6016	1	O-RING, 16-1, 90 Duro, 1.171" ID x .118" Thk,
15	238-6012	4	O-RING, -012, 90 Duro, .364" ID x .070" Thk,
16	87436044	1	HOSE ASSY., 876 mm (34-1/2")
17	701-140	1	UNION, 1 3/16"-12 ORFS, Blkd, Inc. 18
18	238-6018	2	O-RING, -018, 90 Duro, .739" ID x .070" Thk,
19	431806A1	2	WASHER,
20	701-1249	1	NUT, LOCK, 1 3/16"-12, ORFS Blkhd,
21	515-25190	2	CLAMP, 3/4", Insul, 1/2" Bolt,
22	515-2563	2	CLAMP, 1/4", Insul, 1/2" Bolt,
23	87440383	1	VALVE BLOCK, 1", Flange Port
24	238-5219	2	O-RING, -219, 70 Duro, 1.296" ID x .139" Thk,
25	A12306	2	FLANGE, Clamp, Half-Split
26	827-10055	4	BOLT, Hex, M10 x 55, 10.9,
27	A14157	1	FLANGE, Clamp, Split, 1,50"
28	627-12030	4	BOLT, Hex, M12 x 30, 10.9,
29	87440350	1	TUBE ASSY., Fan Pump
30	238-5225	1	O-RING, -225, 70 Duro, 1.859" ID x .139" Thk,
31	238-6014	1	O-RING, -014, 90 Duro, .489" ID x .070" Thk,
32	87440035	1	HOSE ASSY., 889 mm (35")
33	433891A1	1	TUBE ASSY.,
34	701-908	1	NUT, LOCK, 1 7/16"-12, ORFS Blkhd,
35	431802A1	2	WASHER,
36	434004A1	1	VALVE, CHECK, Blk hd, Inc. 7
37	238-6016	2	O-RING, -016, 90 Duro, .614" ID x .070" Thk,
38	87305670	1	TUBE, HYD, Oil Cooler, Return
39	87344569	1	TUBE, HYD, Oil Cooler, Supply
40	87444087	1	SEAL, Shroud
41	87408680	1	BLOCK, Manifold
42	700-378	1	ELBOW, 90e, 9/16"-18 ORFS x M14 x 1.5 ORB, Inc. 43 & 44
43	637-63113	1	O-RING, CI 6, 11.3MM ID x 2.2 Thk,
44	238-6011	3	O-RING, -011, 90 Duro, .301" ID x .070" Thk,
45	87440034	1	HOSE ASSY., 820 mm (32-1/4")

STX530 CASE IH 4WD TRACTOR (BTW Z6F100023 - Z6F105001)

08-46(01) HYDRAULICS - FAN DRIVE CIRCUITRY, ASN Z6F100996

сылка	Номер детали	Кол-во	Описание
46	701-108	1	UNION, 9/16"-18 ORFS, Blkd, Inc. 44
47	87307708	2	WASHER,
48	701-1254	1	NUT, LOCK, 9/16"-18, ORFS Blkhd,
49	700-115	1	CONNECTOR, HYD., 1"-14 ORFS x M18 x 1.5 ORB, Inc. 50
50	637-63153	2	O-RING, CI 6, 15.3MM ID x 2.2 Thk,
51	238-6016	3	O-RING, -016, 90 Duro, .614" ID x .070" Thk,
52	87445153	1	HOSE ASSY., 457 mm (18")
53	895-11008	6	WASHER, M8 x 16 x 1.6,
54	827-8060	2	BOLT, Hex, M8 x 60, 10.9,
55	700-345	1	ELBOW, 90є, 11/16"-18 ORFS x M18 x 1.5 ORB, Inc. 15 & 50
56	87437799	1	HOSE ASSY.,
57	700-103	1	CONNECTOR, HYD., 1"-14 ORFS x M22 x 1.5 ORB, Inc. 51 & 58
58	637-63193	1	O-RING, CI 6, 19.3MM ID x 2.2 Thk,
59	87344506	1	HOSE, 2235 mm (88")
60	201-306	1	ELBOW, 90є, 1"-14 x 7/8"-14 Adj, ORFS, Inc. 7 & 61
61	237-6010	1	O-RING, 10-1, 90 Duro, .755" ID x .097" Thk,
62	701-319	1	ELBOW, 90є, 11/16"-16 ORFS x 11/16"-16 Fem Sw, Incl. 15
63	87437797	1	HOSE ASSY., 1714 mm (67-1/2")
64	515-23222	3	CLAMP, 7/8", Insul, 3/8" Bolt,
	178889A1	1	FITTING, Diagnostic, Inc. 66 - 67
65	H434163	1	DUST CAP, Dust
66	NSS	1	NOT SERVICED SEPARATELY, Fitting, Inc. 67
67	637-63113	1	O-RING, CI 6, 11.3MM ID x 2.2 Thk,
68	87434395	1	CONDENSER, Hydraulic Fan
69	87434402	1	PUMP, HYDRAULIC, Hydraulic Fan, See Figure: 08-47

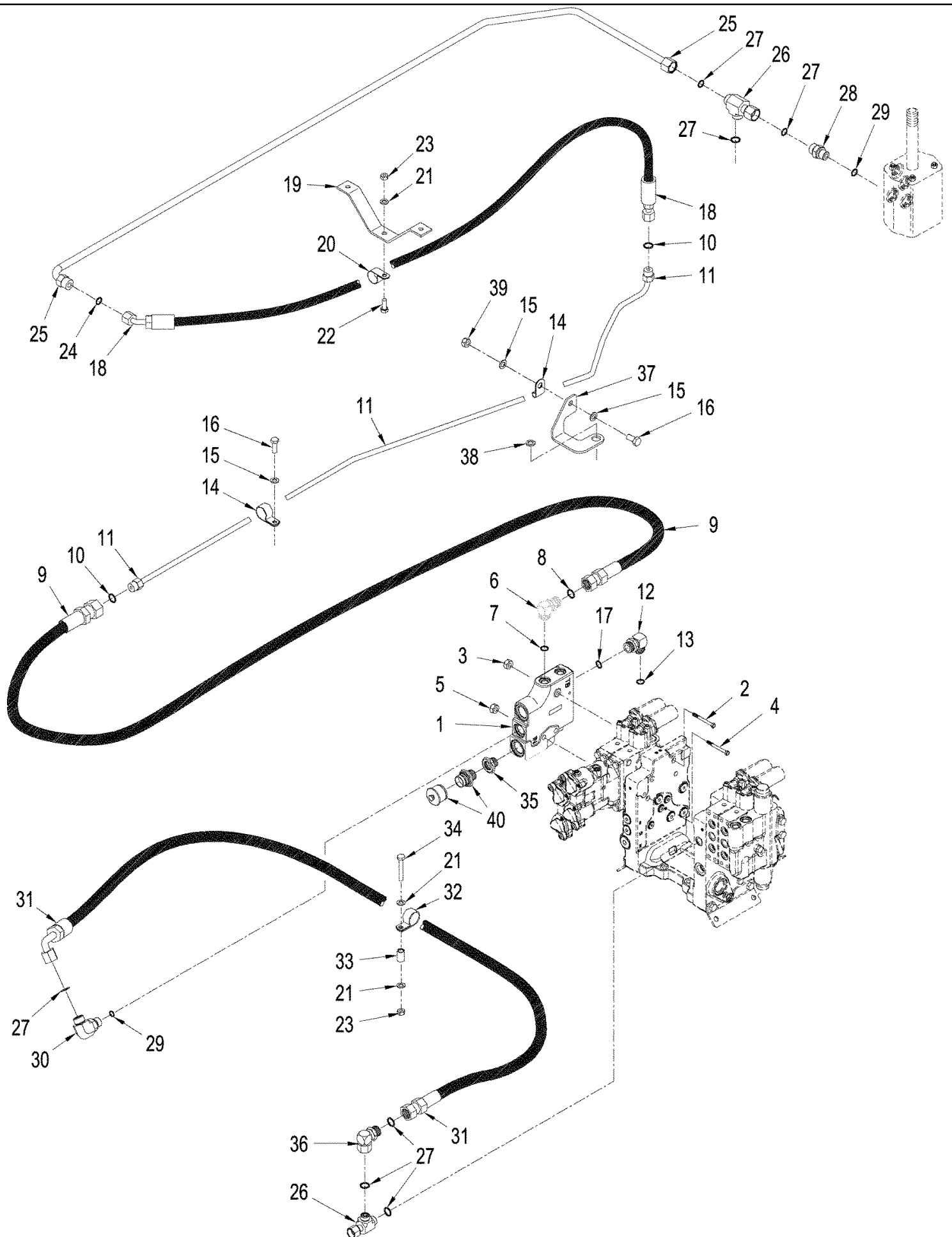
08-47 HYDRAULIC FAN PUMP ASSY



STX530 CASE IH 4WD TRACTOR (BTW Z6F100023 - Z6F105001)

08-47 HYDRAULIC FAN PUMP ASSY

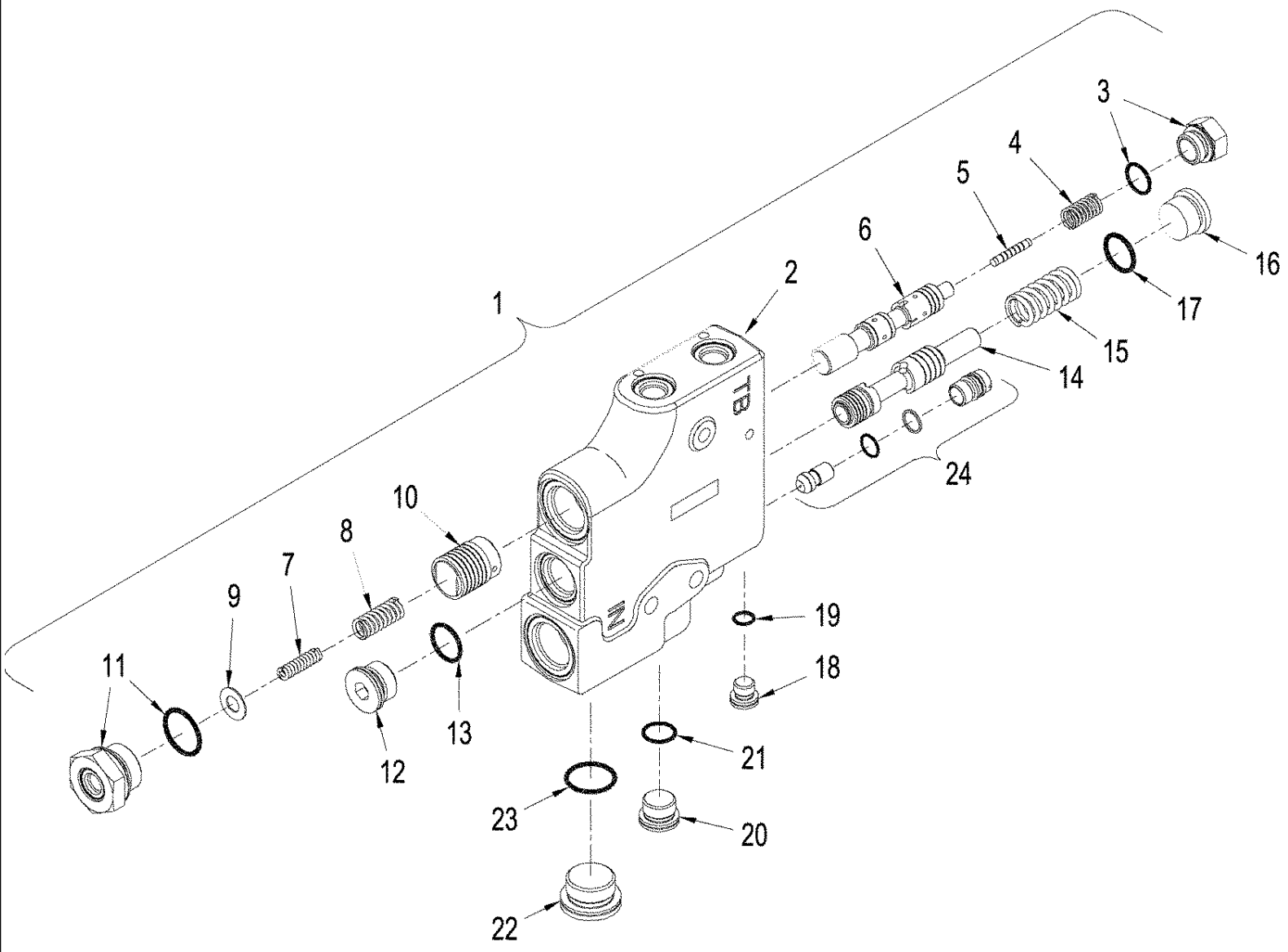
сылка	Номер детали	Кол-во	Описание
	87434402		PUMP, HYDRAULIC, Hydraulic Fan, 100 cc, Inc. 1 - 20
1	NSS	1	NOT SERVICED SEPARATELY, Cylinder Assy
2	NSS	1	NOT SERVICED SEPARATELY, Spring
3	NSS	1	NOT SERVICED SEPARATELY, Housing
4	NSS	1	NOT SERVICED SEPARATELY, Block
5	NSS	1	NOT SERVICED SEPARATELY, Plate, Swash
6	NSS	1	NOT SERVICED SEPARATELY, Shaft
7	NSS	1	NOT SERVICED SEPARATELY, Spacer, Shim
8	NSS	1	NOT SERVICED SEPARATELY, Bearing, Roller
9	NSS	1	NOT SERVICED SEPARATELY, Bearing, Roller
10	NSS	2	NOT SERVICED SEPARATELY, Bearing, Roller
11	87414121	1	SEAL,
12	87414122	1	O-RING,
13	NSS	4	NOT SERVICED SEPARATELY, O-Ring
14	NSS	1	NOT SERVICED SEPARATELY, Ring, Retaining
15	NSS	4	NOT SERVICED SEPARATELY, Screw, M10 x 30
16	436750A1	1	O-RING,
17	NSS	1	NOT SERVICED SEPARATELY, Pin, Dowel
18	NSS	2	NOT SERVICED SEPARATELY, Plug
19	436751A1	1	SOLENOID,
20	436536A1	1	VALVE, PILOT, Inc. 19
21	NSS	1	NOT SERVICED SEPARATELY, Rod, Piston
22	NSS	1	NOT SERVICED SEPARATELY, Piston, Control
23	436535A1	1	O-RING,
24	NSS	1	NOT SERVICED SEPARATELY, Plug
25	410995A1	3	O-RING,
26	NSS	4	NOT SERVICED SEPARATELY, Screw
27	NSS	1	NOT SERVICED SEPARATELY, Solenoid, Control Valve
28	NSS	1	NOT SERVICED SEPARATELY, Nut, Thumb, Plastic
29	638-53200	1	O-RING, CI 5, 20MM ID x 2.65 Thk,



08-48 TRAILER BRAKES - HYDRAULIC

сылка	Номер детали	Кол-во	Описание
1	87388358	1	VALVE SECTION, Trailer Brake / Priority. See Figure: 08-49
2	87418098	1	STUD, Tie, Rod
3	304951A1	1	NUT,
4	87430079	2	STUD, Tie
5	829-1312	2	NUT, M12 x 1.75, CI 10,
6	700-304	1	ELBOW, 90е, 11/16"-18 ORFS x M14 x 1.5 ORB,
7	637-63113	1	O-RING, CI 6, 11.3MM ID x 2.2 Thk,
8	238-6012	1	O-RING, -012, 90 Duro, .364" ID x .070" Thk,
9	87346096	1	HOSE ASSY., 546 mm (21-1/2")
10	238-6012	2	O-RING, -012, 90 Duro, .364" ID x .070" Thk,
11	87387104	1	TUBE, Trailer Brake RF, QUADTRAC Tractor
11	87342885	1	TUBE, HYD, Trailer Brake, RF, Not Illustrated, Wheel Tractor
12	700-318	1	ELBOW, 45е, 1 7/16"-12 ORFS x M33 x 2 ORB, 45, Inc. 13 & 17
13	637-64296	1	O-RING, CI 6, 29.6MM ID x 2.9 Thk,
14	515-2495	3	CLAMP, 3/8", Insul, 7/16" Bolt,
15	895-18010	4	WASHER, M10 x 18 x 1.6,
16	627-10020	3	BOLT, Hex, M10 x 20, 10.9, Full Thd,
17	238-6021	1	O-RING, -021, 90 Duro, .926" ID x .070" Thk,
18	87563359	1	HOSE ASSY., 944 mm (37"), QUADTRAC Tractor
18	87346094	1	HOSE ASSY., 948 mm (37"), Wheel Tractor
19	87345211	1	BRACKET, , QUADTRAC Tractor
19	87384904	1	BRACKET, , Wheel Tractor
20	515-22254	1	CLAMP, 1", Insul, 5/16" Bolt,
21	895-11008	12	WASHER, M8 x 16 x 1.6,
22	627-8020	3	BOLT, Hex, M8 x 20, 10.9,
23	829-1408	7	NUT, M8, CI 10,
24	238-6014	1	O-RING, -014, 90 Duro, .489" ID x .070" Thk,
25	87342347	1	TUBE, HYD,
26	701-416	2	TEE, 13/16"-16 ORFS x 13/16"-16 Fem Sw Run, Inc. 27
27	238-6014	3	O-RING, -014, 90 Duro, .489" ID x .070" Thk,
28	700-102	1	CONNECTOR, HYD., 13/16"-16 ORFS x M18 x 1.5 ORB, Inc. 27 & 29
29	637-63153	1	O-RING, CI 6, 15.3MM ID x 2.2 Thk,
30	700-305	1	ELBOW, 90е, 13/16"-18 ORFS x M18 x 1.5 ORB,
31	87367884	1	HOSE ASSY., 1371 mm (54")
32	515-23206	2	CLAMP, 13/16", Insul, 3/8" Bolt,
33	414937A1	2	SPACER,
34	827-8050	2	BOLT, Hex, M8 x 50, 10.9,
35	87371306	1	COUPLING, QUICK, FEMALE, Quick Connect
36	701-320	1	ELBOW, 90е, 13/16"-16 ORFS x 13/16"-16 Fem Sw,
37	87387132	1	BRACKET, Trailer Brake, QUADTRAC Tractor
38	896-11016	1	WASHER, M17.5 x 30 x 4, HT, , QUADTRAC Tractor
39	829-1410	1	NUT, M10, CI 10, , QUADTRAC Tractor
40	737606R1	1	COUPLING, QUICK, MALE,

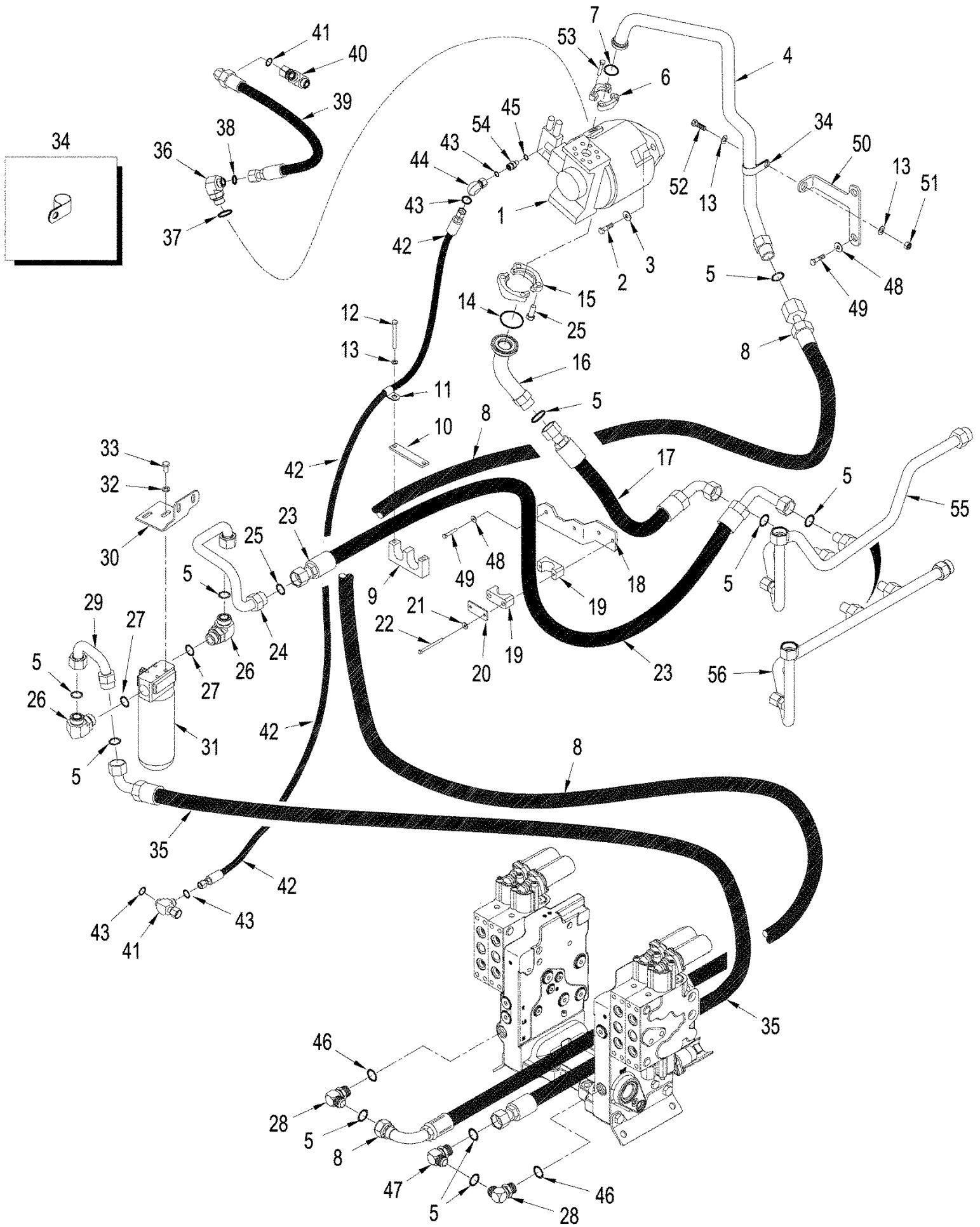
08-49 VALVE - HYDRAULIC TRAILER BRAKE



08-49 VALVE - HYDRAULIC TRAILER BRAKE

сылка	Номер детали	Кол-во	Описание
1	87388358	1	VALVE SECTION, Trailer Brake, Inc. 2 - 24
2	NSS	1	NOT SERVICED SEPARATELY, Housing
3	87324557	1	PLUG, STOP,
4	87444752	1	BRAKE SPRING, Return
5	86988723	1	SPOOL, Inner
6	87324553	1	SPOOL, Trailer Brake
7	87444751	1	BRAKE SPRING, Feathering Inner
8	87444750	1	BRAKE SPRING, Feathering Outer
9	NSS	AR	NOT SERVICED SEPARATELY, Shim
10	86988724	1	PISTON, Priority / Trailer Brake
11	87454597	1	PLUG,
12	221580A1	1	PLUG, Hex Soc, M27 x 2, ORB, Inc. 13
13	637-64236	1	O-RING, CI 6, 23.6MM ID x 2.9 Thk,
14	NSS	1	NOT SERVICED SEPARATELY, Spool
15	408447A1	1	SPRING, COMPRESSION,
16	9841223	1	PLUG, Hex Soc, 1 1/16"-12 ORB, Incl. 17
17	237-6012	1	O-RING, 12-1, 90 Duro, .924 ID x .118" Thk,
18	221576A1	1	PLUG, Hex Soc, M14 x 1.5, ORB, Inc. 19
19	637-63113	1	O-RING, CI 6, 11.3MM ID x 2.2 Thk,
20	221579A1	1	PLUG, Hex Soc, M22 x 1.5, ORB, Inc. 21
21	637-63193	1	O-RING, CI 6, 19.3MM ID x 2.2 Thk,
22	221527A1	1	PLUG, Hex Soc, M33 x 2, ORB, Inc. 23
23	637-64296	1	O-RING, CI 6, 29.6MM ID x 2.9 Thk,
24	1542563C1	1	VALVE, CHECK, Logic

08-50 HYDRAULICS - PARALLEL FLOW CIRCUITRY



STX530 CASE IH 4WD TRACTOR (BTW Z6F100023 - Z6F105001)

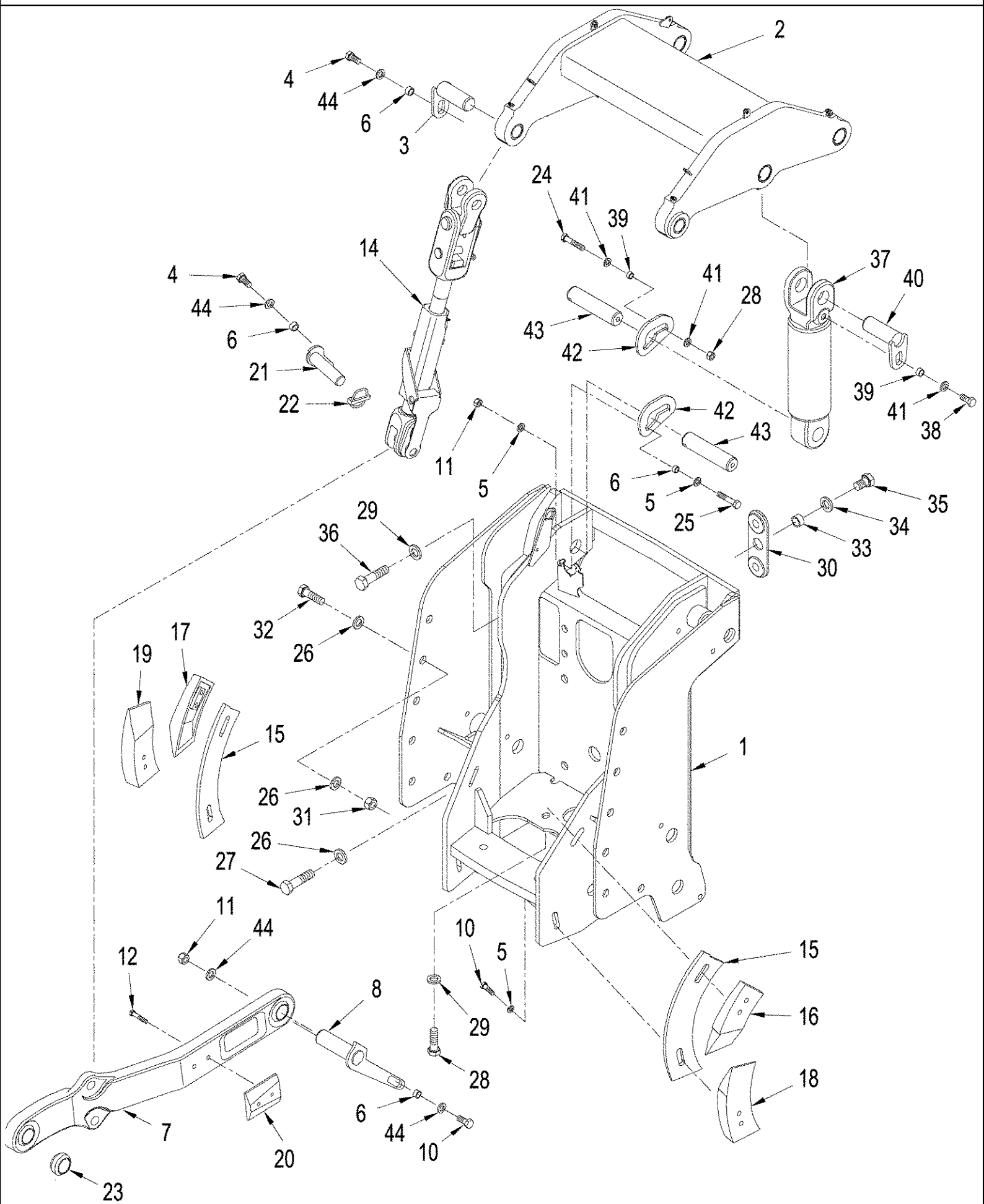
08-50 HYDRAULICS - PARALLEL FLOW CIRCUITRY

сылка	Номер детали	Кол-во	Описание
1	407476A1	1	PUMP, HYDRAULIC, Implement, See Figure: 08-44
2	627-16055	2	BOLT, , With Manual Shift Transmission
2	627-16045	2	BOLT, Hex, M16 x 45, 10.9, , With Power Shift Transmission
3	896-11016	2	WASHER, M17.5 x 30 x 4, HT,
4	87576188	1	TUBE, Pressure Pump
5	238-6021	13	O-RING, -021, 90 Duro, .926" ID x .070" Thk,
6	A12306	2	FLANGE, Split, 1
7	238-6219	1	O-RING, -219, 90 Duro, 1.296" ID x .139" Thk,
8	87381559	1	HOSE, 3323 mm (131")
9	87578492	1	CLAMP, HOSE,
10	414856A1	1	PLATE, Hose Clamp
11	515-25159	1	CLAMP, 5/8", Insul, 1/2" Bolt, 15.9 mm
12	827-8080	2	BOLT, Hex, M8 x 80, 10.9,
13	895-11008	2	WASHER, M8 x 16 x 1.6,
14	238-6228	1	O-RING, -228, 90 Duro, 2.234" ID x .139" Thk,
15	A14141	2	FLANGE, Split, 2
16	414077A1	1	TUBE,
17	414196A1	1	HOSE, 825 mm (32")
18	433047A2	1	BRACKET,
19	429384A1	2	CLAMP,
20	429414A1	1	PLATE, COVER,
21	895-25006	2	WASHER, M6 x 18 x 1.6,
22	827-6080	2	BOLT, Hex, M6 x 80, 10.9,
23	414464A1	1	HOSE, 1626 mm (64")
24	419661A1	1	TUBE,
25	426-820	4	BOLT, Hex, 1/2"-13 x 1 1/4", G8, Full Thd,
26	700-308	2	ELBOW, 90e, 1 7/16"-12 ORFS x M33 x 2 ORB, Inc. 5 & 27
27	637-64296	1	O-RING, CI 6, 29.6MM ID x 2.9 Thk,
28	700-313	2	ELBOW, 90e, 1 7/16"-12 ORFS x M27 x 2 ORB, Inc. 5 & 46
29	419655A1	1	TUBE,
30	87341623	1	BRACKET, Mounting, Parallel Hydraulic, Filter
31	414219A1	1	FILTER, Parallel Flow Hydraulic, See Figure: 08-45
32	895-11010	2	WASHER, M10 x 20 x 2,
33	627-10020	2	BOLT, Hex, M10 x 20, 10.9, Full Thd,
34	515-23254	1	CLAMP, 1", Insul, 3/8" Bolt,
34	515-2495	1	CLAMP, 3/8", Insul, 7/16" Bolt,
35	87381560	1	HOSE, 2383 mm (94")
36	201-306	1	ELBOW, 90e, 1"-14 x 7/8"-14 Adj, ORFS, Inc. 37, 38
37	237-6010	1	O-RING, 10-1, 90 Duro, .755" ID x .097" Thk,
38	238-6016	2	O-RING, -016, 90 Duro, .614" ID x .070" Thk,
39	431461A1	1	HOSE ASSY., 737 mm (29")
40	701-433	1	TEE, 1"-14 ORFS x 1"-14 Fem Sw Run, Inc. 41
41	701-422	1	TEE, 1 1/16"-16 ORFS x 1 1/16"-16 Fem Sw Run, Inc. 43
42	87572954	1	HOSE, 3138 mm (123-1/2")
43	238-6012	1	O-RING, -012, 90 Duro, .364" ID x .070" Thk,

STX530 CASE IH 4WD TRACTOR (BTW Z6F100023 - Z6F105001)

08-50 HYDRAULICS - PARALLEL FLOW CIRCUITRY

сылка	Номер детали	Кол-во	Описание
44	701-319	1	ELBOW, 90€, 11/16"-16 ORFS x 11/16"-16 Fem Sw, Incl. 43
45	237-6004	1	O-RING, 4-1, 90 Duro, .351" ID x .072" Thk,
46	637-64236	2	O-RING, CI 6, 23.6MM ID x 2.9 Thk,
47	701-339	1	ELBOW, 90€, 1 7/16"-12 ORFS x 1 7/16"-12 Fem Sw, Inc. 5
48	896-11012	2	WASHER, M13.5 x 24.5 x 3, HT,
49	514-842	2	BOLT, Hex, M12 x 1.25 x 25, 8.8, Full Thd,
50	87576505	1	BRACKET, Support
51	829-1408	1	NUT, M8, CI 10,
52	627-8020	1	BOLT, Hex, M8 x 20, 10.9,
53	426-620	4	BOLT, Hex, 3/8"-16 x 1 1/4", G8, Full Thd,
54	1957867C1	1	SCREEN, FILTER, 1/4" orb x 3/8" fc sl, Inc. 43 & 45
55	418816A2	1	TUBE ASSY., Pump Supply, STX Wheel Tractor
56	87311041	2	TUBE, HYD, Pump Supply, QUADTRAC Tractor

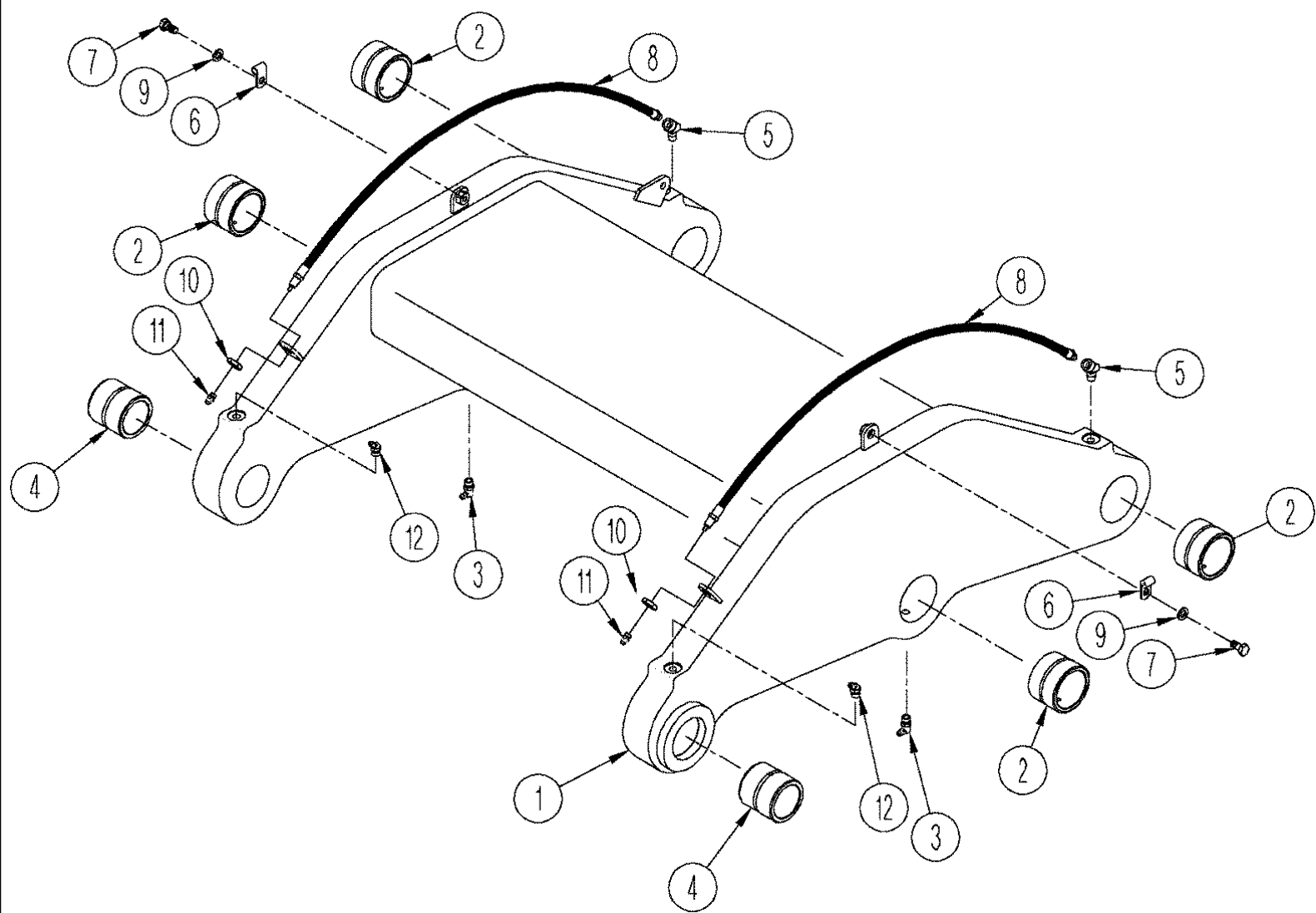


STX530 CASE IH 4WD TRACTOR (BTW Z6F100023 - Z6F105001)

09-01 THREE POINT HITCH

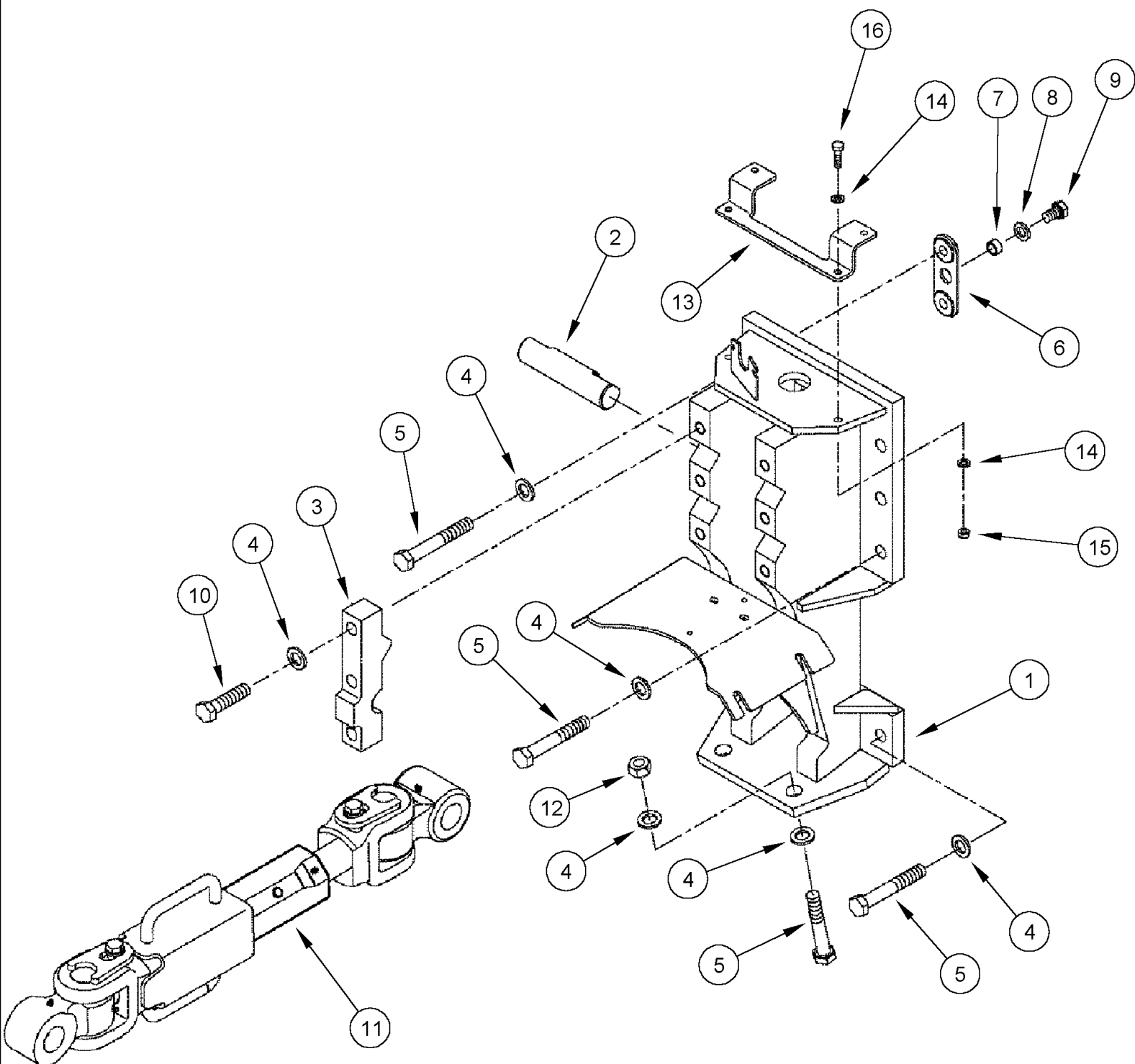
сылка	Номер детали	Кол-во	Описание
1	403741A1	1	MOUNTING PARTS, TPH
2	403743A1	1	ROCKSHAFT, See Figure: 09-02
3	70-6013T2	2	PIN,
4	627-16035	4	BOLT, Hex, M16 x 35, 10.9,
5	896-15016	8	WASHER, M17.5 x 34 x 5, HT,
6	70-5967T1	8	SPACER,
7	403717A1	2	ARM, Draft, Inc. 23
8	347641A1	1	PIN, RH
9	348061A1	1	PIN, LH, Not Illustrated
10	627-16060	10	BOLT, Hex, M16 x 60, 10.9, Full Thd,
11	829-1416	4	NUT, M16, CI 10,
12	827-12065	4	BOLT, Hex, M12 x 65, 10.9,
13	NSS	1	NOT SERVICED SEPARATELY, Link Assy, Lift, Right-Hand, Not Illustrated, See Figure: 09-06
14	NSS	1	NOT SERVICED SEPARATELY, Link Assy, Lift, Left-Hand, See Figure: 09-06
15	403735A1	2	PLATE,
16	403744A1	1	BLOCK ASSY., No Sway, RH Upper
17	403745A1	1	BLOCK ASSY., No Sway, LH Upper
18	403746A1	1	BLOCK ASSY., No Sway, RH Lower
19	403747A1	1	BLOCK ASSY., No Sway, LH Lower
20	403748A1	2	BLOCK ASSY., Wear
21	322096A1	2	PIN,
22	A30338	2	PIN, Klik
23	275912A1	2	BALL,
24	827-16060	2	BOLT, Hex, M16 x 60, 10.9,
25	827-16080	2	BOLT, Hex, M16 x 80, 10.9,
26	896-11024	28	WASHER, M24 x 44.5 x 5, HT,
27	827-24110	4	BOLT, Hex, M24 x 110, 10.9,
28	829-1416	2	NUT, M16, CI 10,
29	896-11020	6	WASHER, M20 x 37.5 x 4, HT,
30	259389A1	2	PLATE, Retaining
31	829-1424	12	NUT, M24, CI 10,
32	627-24060	12	BOLT, Hex, M24 x 60, 10.9, Full Thd,
33	70-5967T1	2	SPACER,
34	896-11016	2	WASHER, M17.5 x 30 x 4, HT,
35	627-16025	2	BOLT, Hex, M16 x 25, 10.9, Full Thd,
36	627-20050	4	BOLT, Hex, M20 x 50, 10.9,
37	87304295	2	CYLINDER, Lift, See Figure: 08-40
38	627-16035	2	BOLT, Hex, M16 x 35, 10.9,
39	70-5967T1	4	SPACER,
40	70-5973T2	2	PIN,
41	896-11016	6	WASHER, M17.5 x 30 x 4, HT,
42	403204A1	2	PLATE, Pin Retaining
43	321188A2	2	PIN,
44	896-11016	12	WASHER, M17.5 x 30 x 4, HT,

09-02 ROCKSHAFT



09-02 ROCKSHAFT

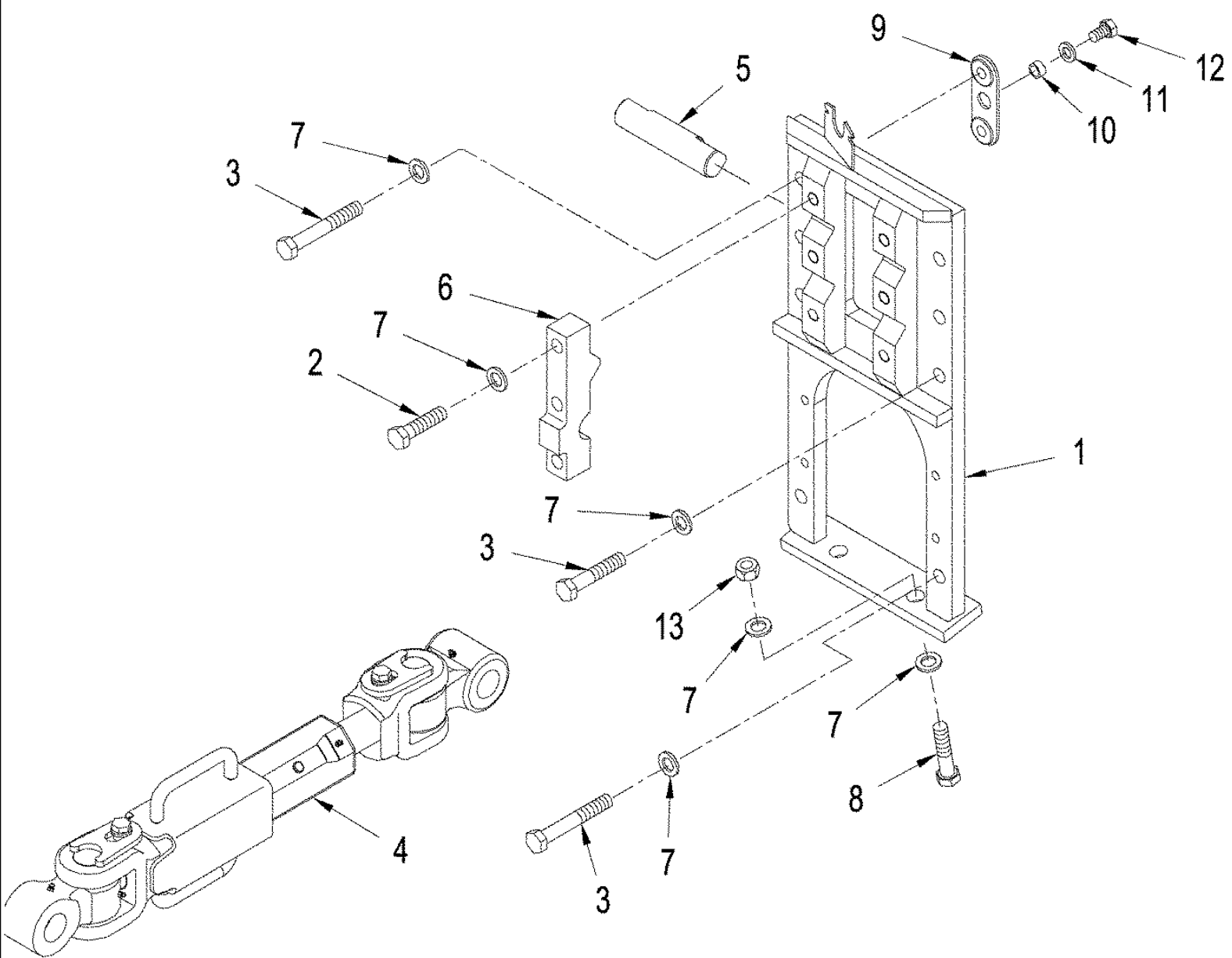
сылка	Номер детали	Кол-во	Описание
	403743A1	1	ROCKSHAFT, Inc. 1 - 5, 12
1	NSS	1	NOT SERVICED SEPARATELY, Rockshaft
2	435500A1	4	BUSHING,
3	219-55	4	NIPPLE, LUBE, 90с, 1/8" NPT x .84" lg,
4	328586A2	2	BUSHING,
5	217-1084	2	ELBOW, 45с, 1/8"-27 Female x 1/8"-27 Male,
6	515-2279	2	CLAMP, 5/16", Insul, 5/16" Bolt,
7	627-8016	4	BOLT, Hex, M8 x 16, 10.9,
8	1339231C1	2	HOSE, 737 mm (29 in), Grease
10	F53473	2	NUT, 1/8" PT
11	219-8	2	NIPPLE, LUBE, 1/4"-28 NPT x .54" lg,
12	219-36	2	NIPPLE, LUBE, 45с, 1/8" NPT x 7/8" lg,
9	895-11008	2	WASHER, M8 x 16 x 1.6,



STX530 CASE IH 4WD TRACTOR (BTW Z6F100023 - Z6F105001)

09-03 THREE POINT HITCH - UPPER LINK, WITHOUT POWER TAKEOFF

сылка	Номер детали	Кол-во	Описание
1	403739A1	1	BRACKET, Mounting, Upper Link, without PTO
2	309663A1	1	PIN,
3	403737A1	2	CLAMP,
4	896-11020	16	WASHER, M20 x 37.5 x 4, HT,
5	827-20090	10	BOLT, Hex, M20 x 90, 10.9,
6	259389A1	2	PLATE, Retaining
7	70-5967T1	2	SPACER,
8	896-11016	2	WASHER, M17.5 x 30 x 4, HT,
9	627-16025	2	BOLT, Hex, M16 x 25, 10.9, Full Thd,
10	827-20080	6	BOLT, Hex, M20 x 80, 10.9,
11	NSS	1	NOT SERVICED SEPARATELY, Link, Upper, See Figure 09-05
12	829-1420	2	NUT, M20, CI 10,
13	403736A1	1	PLATE,
14	895-11010	4	WASHER, M10 x 20 x 2,
15	829-1410	2	NUT, M10, CI 10,
16	627-10035	2	BOLT, Hex, M10 x 35, 10.9, Full Thd,

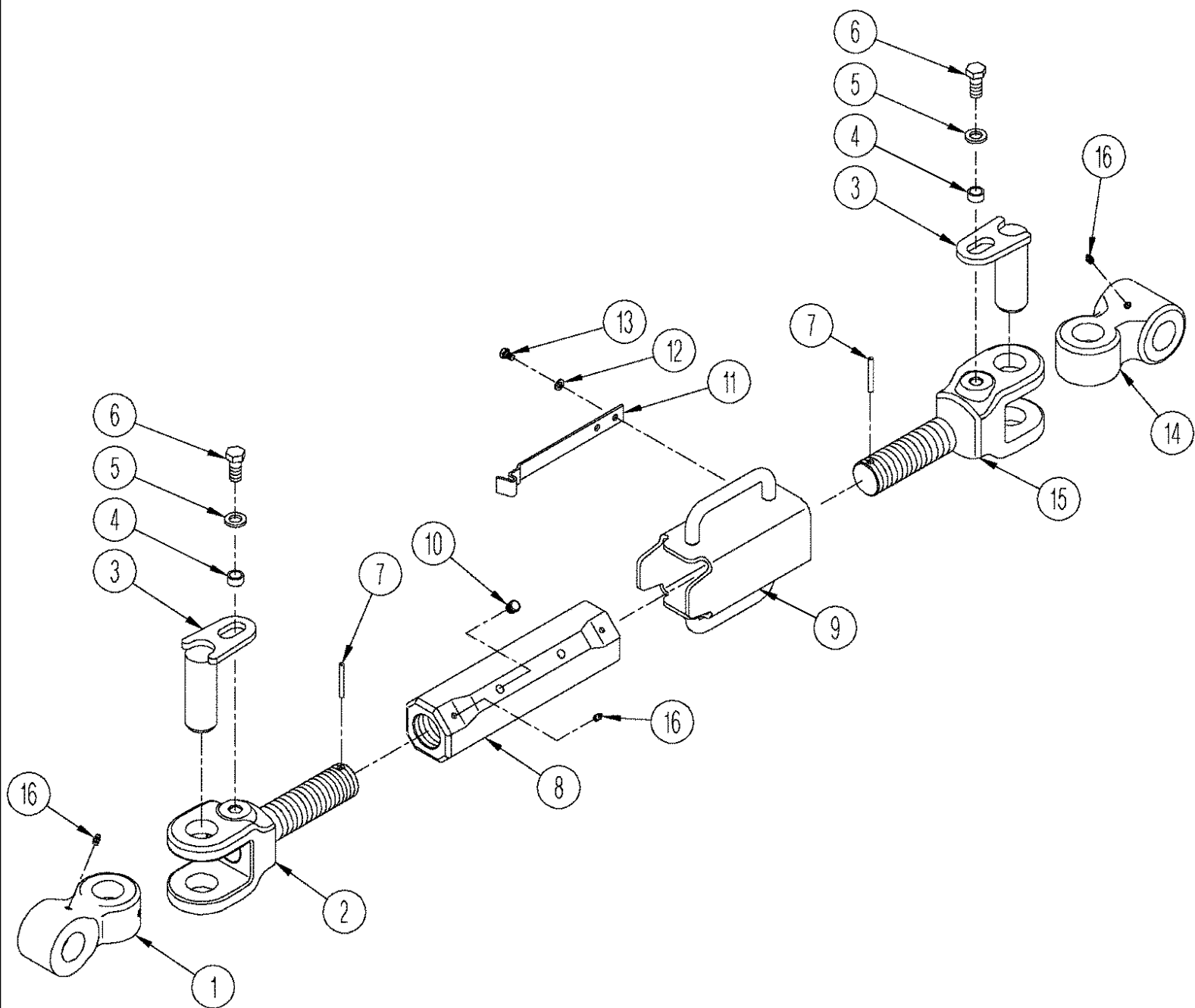


STX530 CASE IH 4WD TRACTOR (BTW Z6F100023 - Z6F105001)

09-04 THREE POINT HITCH - UPPER LINK, WITH POWER TAKEOFF

сылка	Номер детали	Кол-во	Описание
1	403738A1	1	BRACKET, Mounting, Upper Lnk, with PTO
2	827-20080	6	BOLT, Hex, M20 x 80, 10.9,
3	827-20230	8	BOLT, Hex, M20 x 230, 10.9,
4	NSS	1	NOT SERVICED SEPARATELY, Link, Upper, See Figure: 09-05
5	309663A1	1	PIN,
6	403737A1	2	CLAMP,
7	896-11020	16	WASHER, M20 x 37.5 x 4, HT,
8	827-20090	2	BOLT, Hex, M20 x 90, 10.9,
9	259389A1	2	PLATE,
10	70-5967T1	4	SPACER,
11	896-11016	4	WASHER, M17.5 x 30 x 4, HT,
12	627-16025	4	BOLT, Hex, M16 x 25, 10.9, Full Thd,
13	829-1420	4	NUT, M20, CI 10,

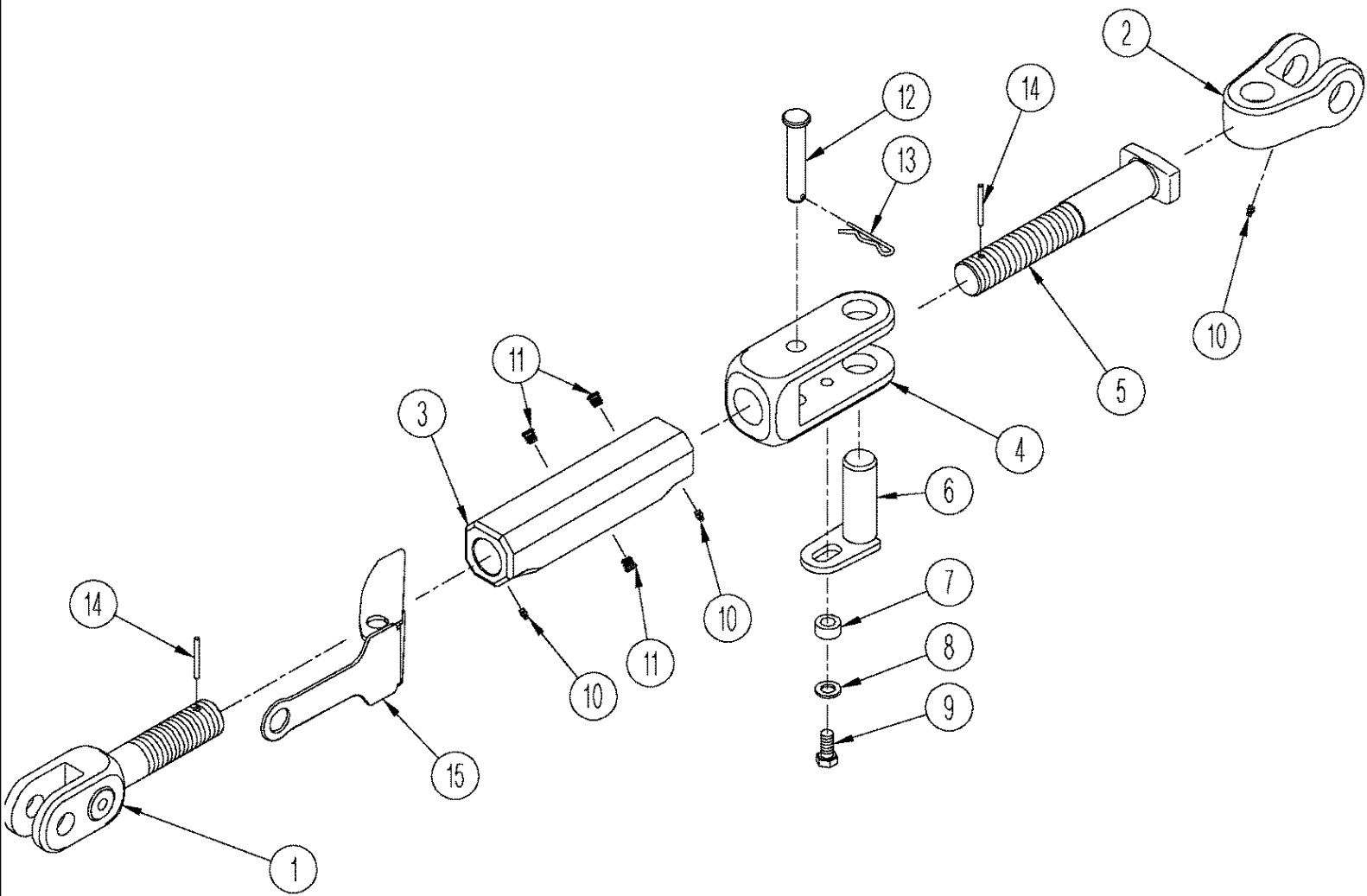
09-05 LINK ASSEMBLY - UPPER



STX530 CASE IH 4WD TRACTOR (BTW Z6F100023 - Z6F105001)

09-05 LINK ASSEMBLY - UPPER

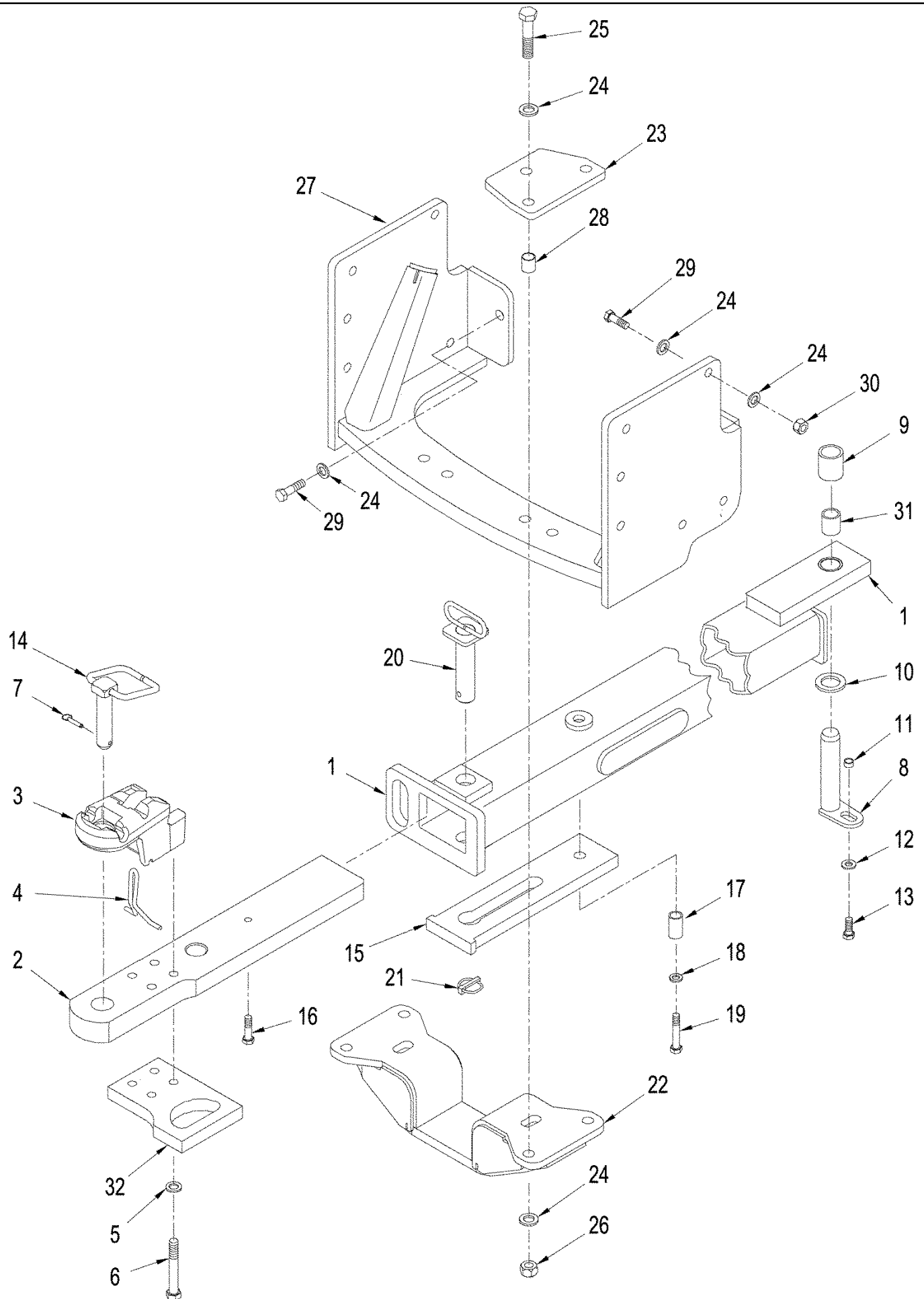
сылка	Номер детали	Кол-во	Описание
1	403726A1	1	KNUCKLE ASSY.,
2	403731A1	1	LINK, U-Joint, RH
3	70-6013T2	2	PIN,
4	70-5967T1	2	SPACER,
5	896-11016	2	WASHER, M17.5 x 30 x 4, HT,
6	627-16035	2	BOLT, Hex, M16 x 35, 10.9,
7	838-3655	2	PIN, M6 x 55
8	403729A1	1	TURNBUCKLE,
9	403730A1	1	LOCK,
10	295004A1	4	PLUG,
11	282523A1	1	LOCK, Anti-Rotation
13	627-8012	2	BOLT, Hex, M8 x 12, 10.9, Full Thd,
14	403728A1	1	KNUCKLE ASSY.,
15	403733A1	1	LINK, U-Joint, LH
16	219-8	6	NIPPLE, LUBE, 1/4"-28 NPT x .54" lg,
12	895-11008	2	WASHER, M8 x 16 x 1.6,



STX530 CASE IH 4WD TRACTOR (BTW Z6F100023 - Z6F105001)

09-06 LINK ASSEMBLY - LIFT

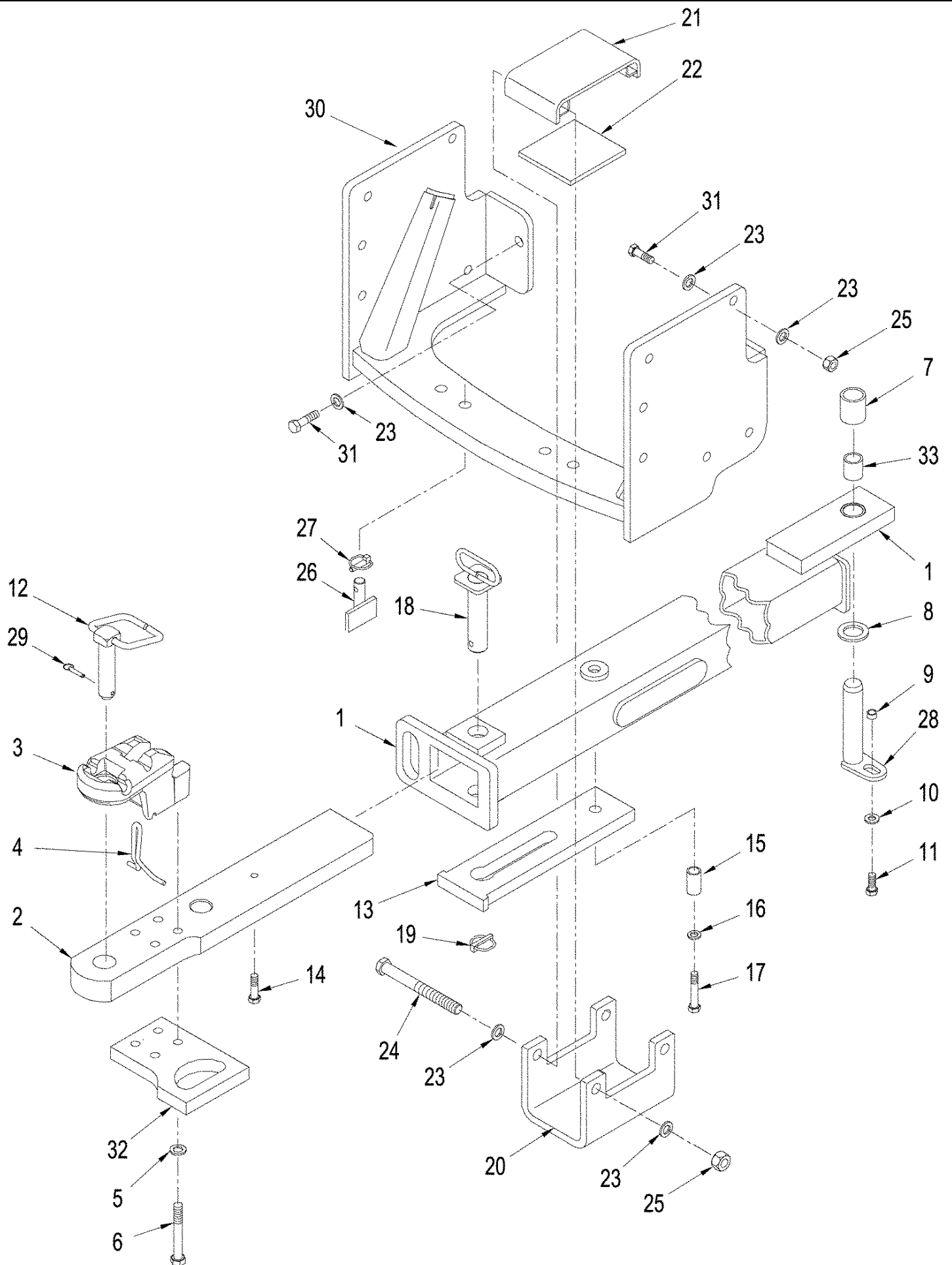
сылка	Номер детали	Кол-во	Описание
1	329058A1	1	CLEVIS,
2	403720A1	1	KNUCKLE ASSY.,
3	403729A1	1	TURNBUCKLE,
4	403719A1	1	CLEVIS,
5	322446A1	1	BOLT,
6	70-6013T2	1	PIN,
7	70-5967T1	1	SPACER,
8	896-11016	1	WASHER, M17.5 x 30 x 4, HT,
9	627-16035	1	BOLT, Hex, M16 x 35, 10.9,
10	219-8	3	NIPPLE, LUBE, 1/4"-28 NPT x .54" lg,
11	295004A1	4	PLUG,
12	388469A1	1	PIN, CLEVIS,
13	136-251	1	PIN, SPLIT (COTTER), Int, 7/16" x .177",
14	838-3655	2	PIN, M6 x 55, Coiled Spring
15	344696A2	1	LATCH,



STX530 CASE IH 4WD TRACTOR (BTW Z6F100023 - Z6F105001)

09-09 DRAWBAR - HEAVY DUTY, WITHOUT THREE POINT HITCH

сылка	Номер детали	Кол-во	Описание
1	402654A1	1	DRAWBAR, Reciever
2	360219A3	1	DRAWBAR,
2	430621A1	1	DRAWBAR, , QUADTRAC Tractor
3	375719A1	1	STRAP, Hammer, Drop Pin
4	375721A1	1	LATCH, Drop Pin
5	896-11020	4	WASHER, M20 x 37.5 x 4, HT,
6	827-20100	4	BOLT, Hex, M20 x 100, 10.9,
7	393878A1	1	PIN,
8	195941A1	1	PIN,
9	361696A2	1	SPACER,
10	1-4088	1	WASHER, 1-3/4" x 2-3/4" x 1/4"
11	70-5967T1	1	SPACER,
12	496-21066	1	WASHER, 21/32" x 1 5/16" x .150",
13	627-16040	1	BOLT, Hex, M16 x 40, 10.9,
14	87615032	1	PIN, CLEVIS,
15	430620A1	1	PLATE, SPACER,
16	627-16035	1	BOLT, Hex, M16 x 35, 10.9,
17	363131A2	1	SPACER,
18	495-21069	1	WASHER, 5/8",
19	827-16060	1	BOLT, Hex, M16 x 60, 10.9,
20	403209A1	1	PIN,
21	19-1041	1	PIN, LOCK, 7/16" x 2",
22	403220A1	1	HANGER, Drawbar, Lower
23	403221A1	2	PLATE, Support, Drawbar, Upper
24	896-11024	12	WASHER, M24 x 44.5 x 5, HT,
25	827-24110	6	BOLT, Hex, M24 x 110, 10.9,
26	829-1424	6	NUT, M24, CI 10,
27	87441225	1	HANGER, Drawbar, Without TPH
28	363130A1	4	SPACER,
29	627-24070	14	BOLT, Hex, M24 x 70, 10.9, Full Thd,
30	829-1424	12	NUT, M24, CI 10,
31	70-4620T2	1	BUSHING, LARGE, Drawbar Receiver
32	441651A1	1	PLATE, Safety Chain, QUADTRAC Tractor

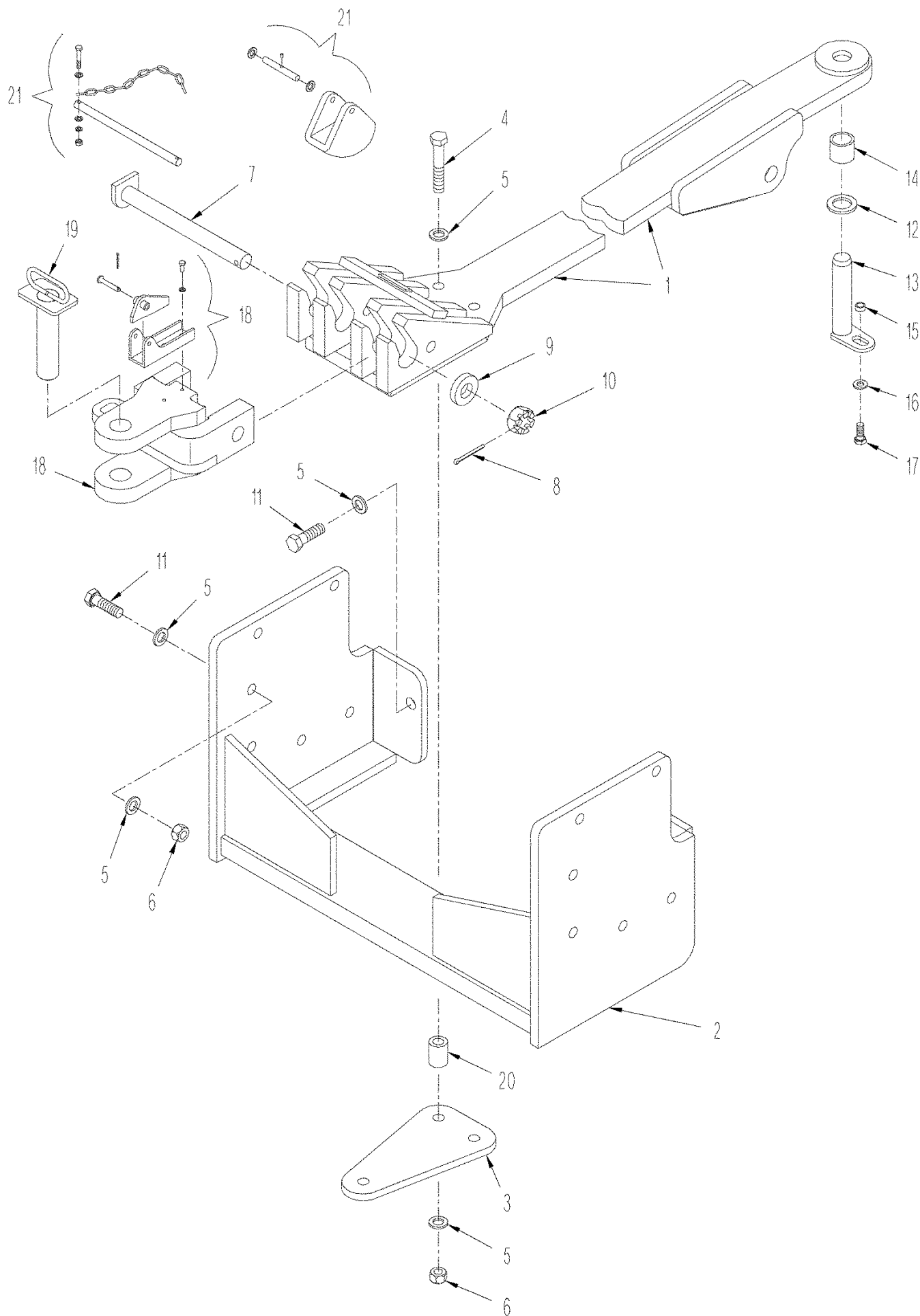


STX530 CASE IH 4WD TRACTOR (BTW Z6F100023 - Z6F105001)

09-10 DRAWBAR - HEAVY DUTY, WITH THREE POINT HITCH

сылка	Номер детали	Кол-во	Описание
1	402654A1	1	DRAWBAR, Receiver
2	360219A3	1	DRAWBAR,
2	430621A1	1	DRAWBAR, , QUADTRAC Tractor
3	375719A1	1	STRAP, Hammer, Drop Pin
4	375721A1	1	LATCH, Drop Pln
5	896-11020	4	WASHER, M20 x 37.5 x 4, HT,
6	827-20110	4	BOLT, Hex, M20 x 110, 10.9,
7	361696A2	1	SPACER,
8	1-4088	1	WASHER, 1-3/4 x 2-3/4 x 1/4
9	70-5967T1	1	SPACER,
10	496-21066	1	WASHER, 21/32" x 1 5/16" x .150",
11	627-16040	1	BOLT, Hex, M16 x 40, 10.9,
12	87615032	1	PIN, CLEVIS,
13	430620A1	1	PLATE, SPACER,
14	627-16035	1	BOLT, Hex, M16 x 35, 10.9,
15	363131A2	1	SPACER,
16	495-21069	1	WASHER, 5/8",
17	827-16060	1	BOLT, Hex, M16 x 60, 10.9,
18	403209A1	1	PIN,
19	19-1041	1	PIN, LOCK, 7/16" x 2",
20	403217A1	1	YOKE,
21	403218A1	1	COVER ASSY,
22	363540A1	1	SPACER,
23	896-11024	4	WASHER, M24 x 44.5 x 5, HT,
24	827-24270	2	BOLT, Hex, M24 x 270, 10.9,
25	829-1424	2	NUT, M24, CI 10,
26	403219A1	2	PIN ASSY.,
27	19-6056	2	PIN, LOCK, 7/16" x 1 3/4",
28	195941A1	1	PIN,
29	393878A1	1	PIN,
30	87441225	1	HANGER, Drawbar
31	627-24070	14	BOLT, Hex, M24 x 70, 10.9, Full Thd,
32	441651A1	1	PLATE, Safety Chain, QUADTRAC Tractor
33	70-4620T2	1	BUSHING, LARGE, Drawbar Receiver

09-11 DRAWBAR - REYNOLDS

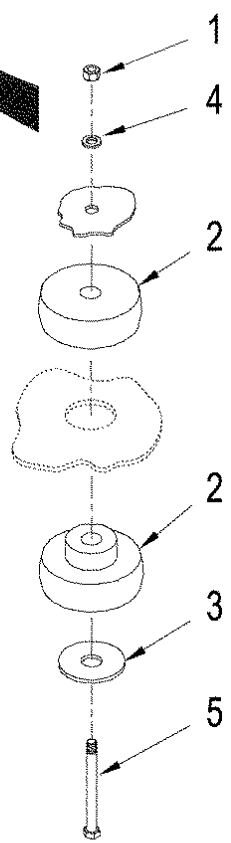
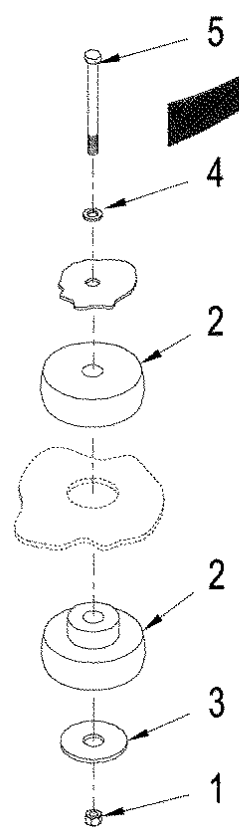
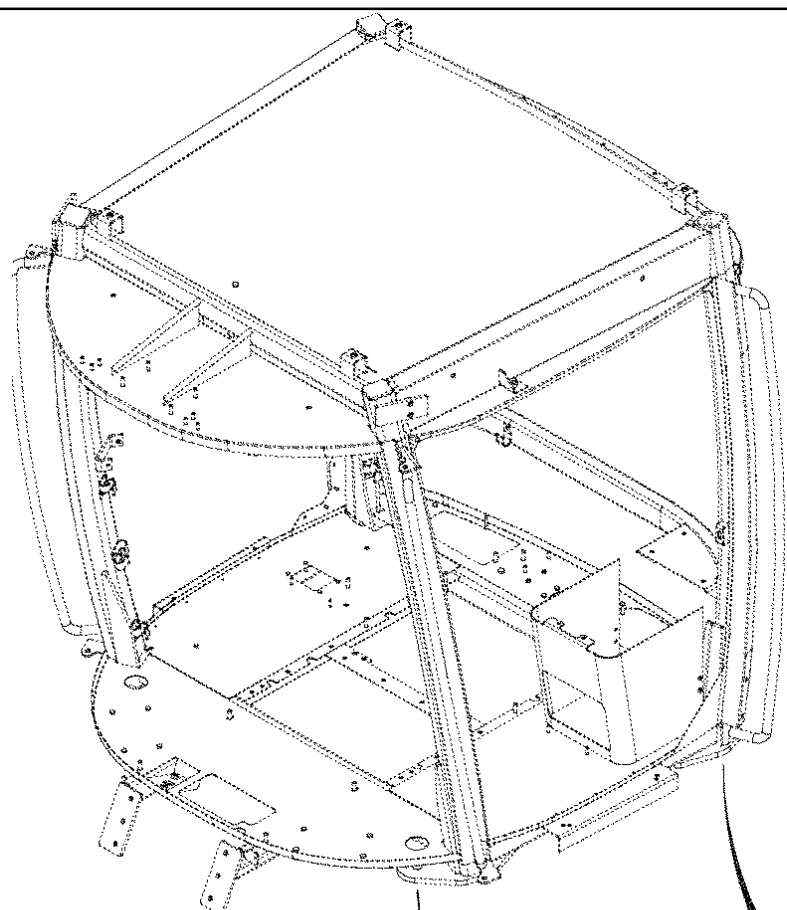


STX530 CASE IH 4WD TRACTOR (BTW Z6F100023 - Z6F105001)

09-11 DRAWBAR - REYNOLDS

сылка	Номер детали	Кол-во	Описание
1	NSS	1	NOT SERVICED SEPARATELY, Drawbar, Purchase Assembly and Component Parts Directly From Reynolds, McAllen, Texas.
2	NSS	1	NOT SERVICED SEPARATELY, Hanger, Purchase Assembly and Component Parts Directly From Reynolds, McAllen, Texas.
3	87448334	1	PLATE, Mounting, Drawbar
4	827-24180	3	BOLT, Hex, M24 x 180, 10.9,
5	896-11024	32	WASHER, M24 x 44.5 x 5, HT,
6	829-1424	15	NUT, M24, CI 10,
	433446A1	1	PIN, HITCH, Inc. 7 - 10
7	NSS	1	NOT SERVICED SEPARATELY, Pin
8	NSS	1	NOT SERVICED SEPARATELY, Pin, Cotter
9	NSS	1	NOT SERVICED SEPARATELY, Washer
10	NSS	1	NOT SERVICED SEPARATELY, Nut, Slotted
11	827-24080	14	BOLT, Hex, M24 x 80, 10.9, Full Thd,
12	87317191	1	WASHER, 1-3/4" x 2-3/4" x 1/4"
13	195941A1	1	PIN,
14	381065A1	1	SPACER,
15	70-5967T1	1	SPACER,
16	496-21066	1	WASHER, 21/32" x 1 5/16" x .150",
17	627-16040	1	BOLT, Hex, M16 x 40, 10.9,
	365945A1	1	KIT, Reverse Adaptor, Inc. 18, 19
18	446133A1	1	ASSEMBLY,
19	359522A1	1	PIN,
20	434402A1	3	SPACER,
21	NSS	1	NOT SERVICED SEPARATELY, Hitch, Quick, Purchase Assembly and Component Parts Directly From Reynolds, McAllen, Texas.

09-12 CAB MOUNTING

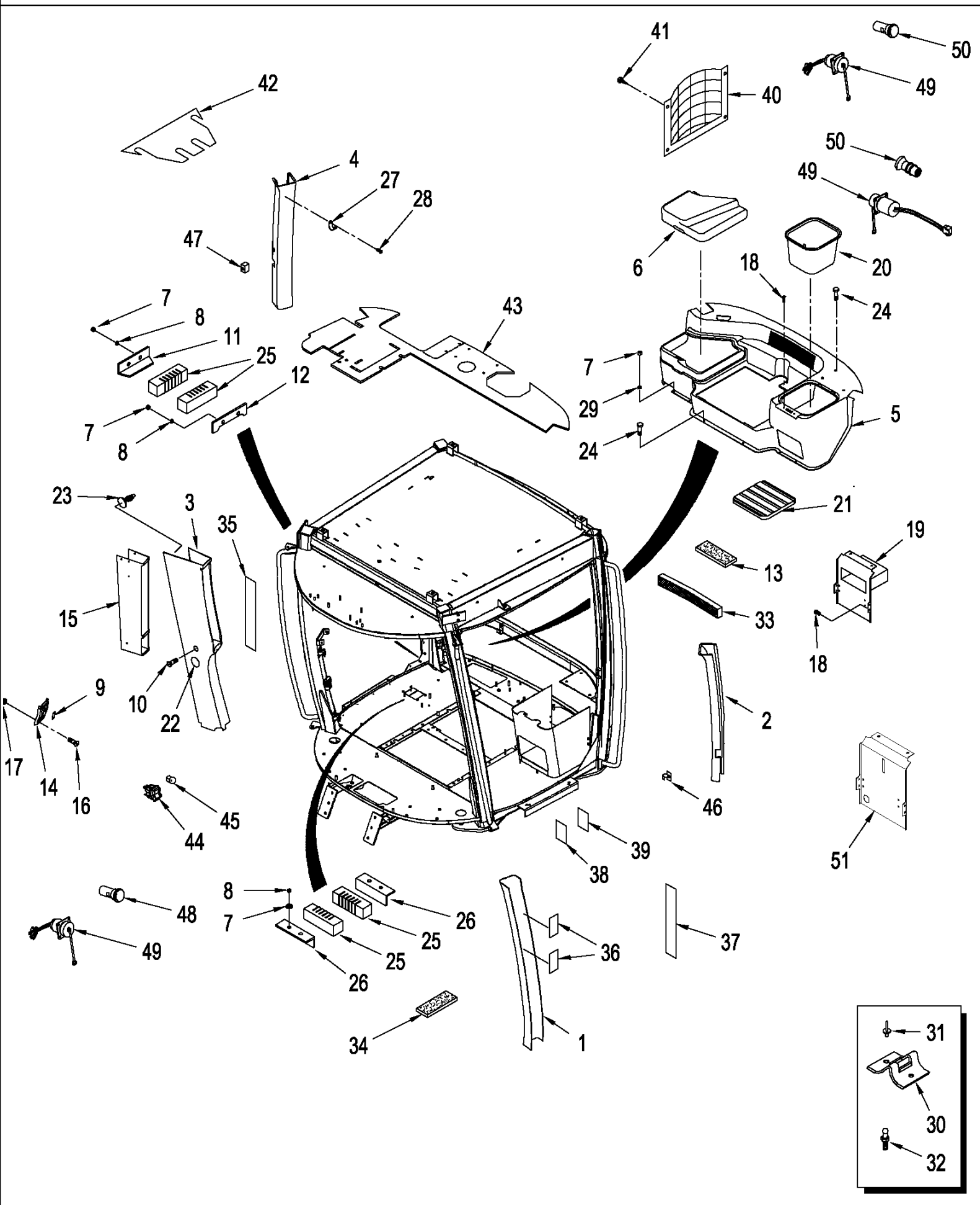


STX530 CASE IH 4WD TRACTOR (BTW Z6F100023 - Z6F105001)

09-12 CAB MOUNTING

сылка	Номер детали	Кол-во	Описание
1	832-10424	4	NUT, LOCK, M24 x 3, Cl 8,
2	87422287	4	MOUNT, RUBBER, Isolator
3	371043A1	4	WASHER, Steel
4	896-11024	4	WASHER, M24 x 44.5 x 5, HT,
5	827-24160	4	BOLT, Hex, M24 x 160, 10.9,

09-13 INTERIOR TRIM - DELUXE AND LUXURY CABS



STX530 CASE IH 4WD TRACTOR (BTW Z6F100023 - Z6F105001)

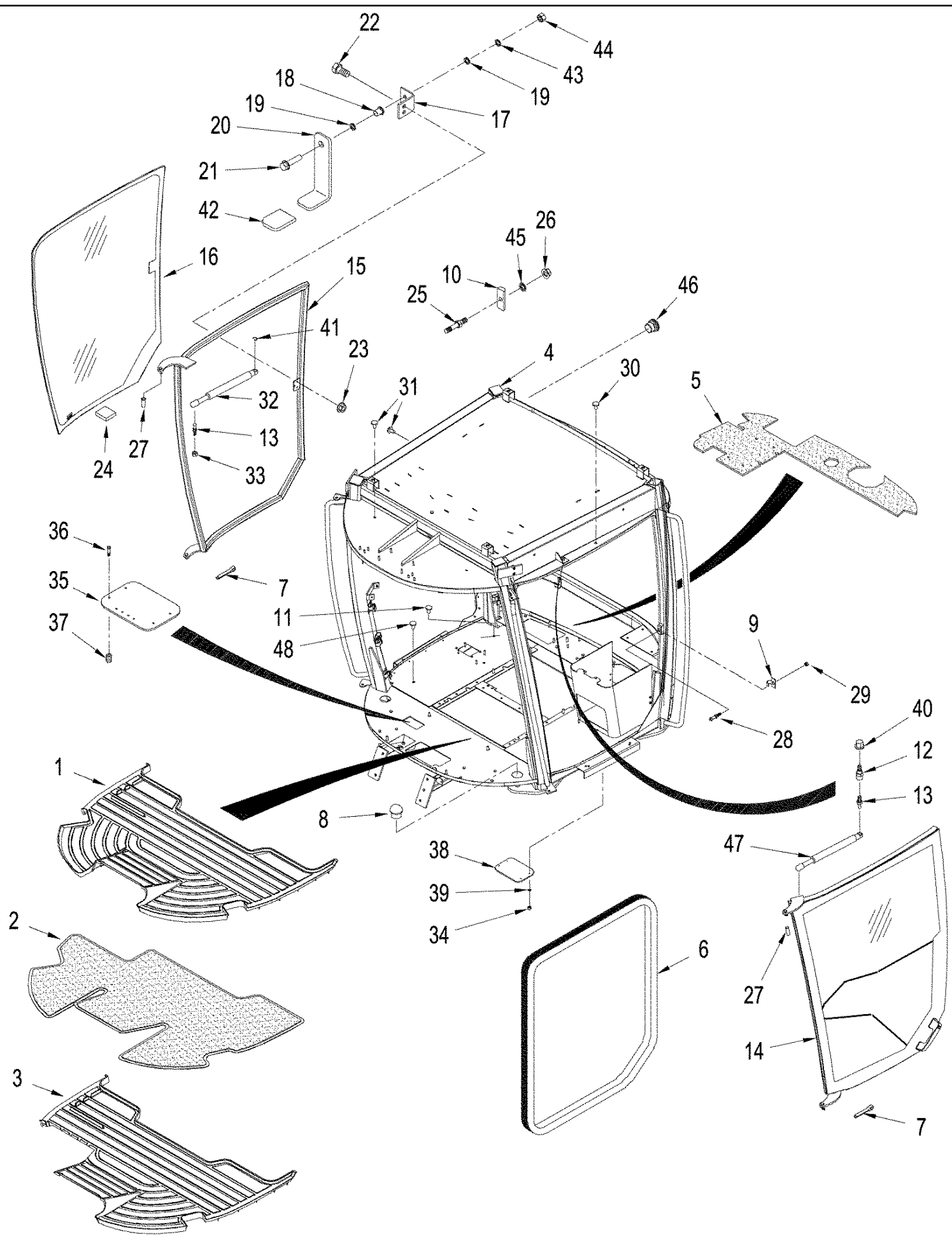
09-13 INTERIOR TRIM - DELUXE AND LUXURY CABS

сылка	Номер детали	Кол-во	Описание
1	358333A2	1	COVER, Post, Roll Over Protection
2	358338A4	1	COVER, Post, Roll Over Protection
3	358334A4	1	COVER, Post, Roll Over Protection
4	377385A3	1	COVER, Post, Roll Over Protection
5	358327A4	1	CONSOLE, Rear
6	380756A2	1	COVER, Electronics
7	829-1406	12	NUT, M6, CI 10,
8	895-11006	8	WASHER, M6,
9	245918C1	2	CAP, Blank Slot
10	627-8020	4	BOLT, Hex, M8 x 20, 10.9,
11	291835A4	1	BRACKET, Cable Access
12	291836A3	1	BRACKET, Cable Access
13	259461A1	3	FOAM, Accoustical
14	358343A2	1	BEZEL, ROPs RH A Post
15	303158A5	1	SUPPORT, ROPs RH A Post
16	260-16516	2	SCREW, SELF TAPPING, Cross Pan Hd, #10 x 1",
17	177269A1	2	NUT,
18	628-6020	6	BOLT, Hex, M6 x 20, 10.9, Full Thd,
19	371685A4	1	BOX, Support, Compact Disc Changer
20	119308A2	1	ASH TRAY, Storage
21	87608402	1	MAT, FLOOR, Rubber
22	376597A2	4	COVER, Hole Decal, ROPS Post
23	376553A1	3	FASTENER,
24	855-8030	3	BOLT, Hex Flg, M8 x 30, 10.9, Full Thd,
25	60-7021T1	4	FOAM, Cable Clamp
26	308579A1	2	BRACKET, Angle
27	114549A1	1	COAT HOOK,
28	765-17316	2	SCREW, SELF TAPPING, Oval Hd, M4.2 x 16,
29	895-25006	4	WASHER, M6 x 18 x 1.6,
30	1961435C1	1	LATCH,
31	151-553	2	RIVET, Pop, 1/8" x .337",
32	1977929C1	1	STUD,
33	87409368	1	FILTER, CAB, Air Recirculation
34	87416388	1	INSULATOR BLOCK,
35	355371A2	1	TAPE, ADHESIVE,
36	356717A1	2	TAPE, ADHESIVE,
37	349366A2	1	FOAM,
38	356789A1	2	FASTENER, Velcro Hook, Cut From 356788A1
39	357564A1	2	FASTENER, Velcro Loop, Cut From 357653A1
40	369937A1	1	NET,
41	369929A1	5	FASTENER, Christmas Tree
42	307026A1	1	SHIELD, Cable Access
43	87416908	1	INSULATION, FOAM, Rear Console Floor
44	418506A1	1	SWITCH, PARK BRAKE, Park Brake, With Manual Shift Transmission
45	409808A1	1	INDICATOR, Hi / Lo, With Manual Shift Transmission

STX530 CASE IH 4WD TRACTOR (BTW Z6F100023 - Z6F105001)

09-13 INTERIOR TRIM - DELUXE AND LUXURY CABS

сылка	Номер детали	Кол-во	Описание
46	369719A1	1	BRACKET, Door, LH
47	371554A1	1	BRACKET, Door, RH
48	87452321	1	OUTLET, Power
49	227739A2	3	CONNECTOR, ELEC,
50	388813A1	2	OUTLET, Power
51	308955A2	1	BRACKET, Support, Rear Console



STX530 CASE IH 4WD TRACTOR (BTW Z6F100023 - Z6F105001)

09-14 CAB - FLOORMATS AND DOORS

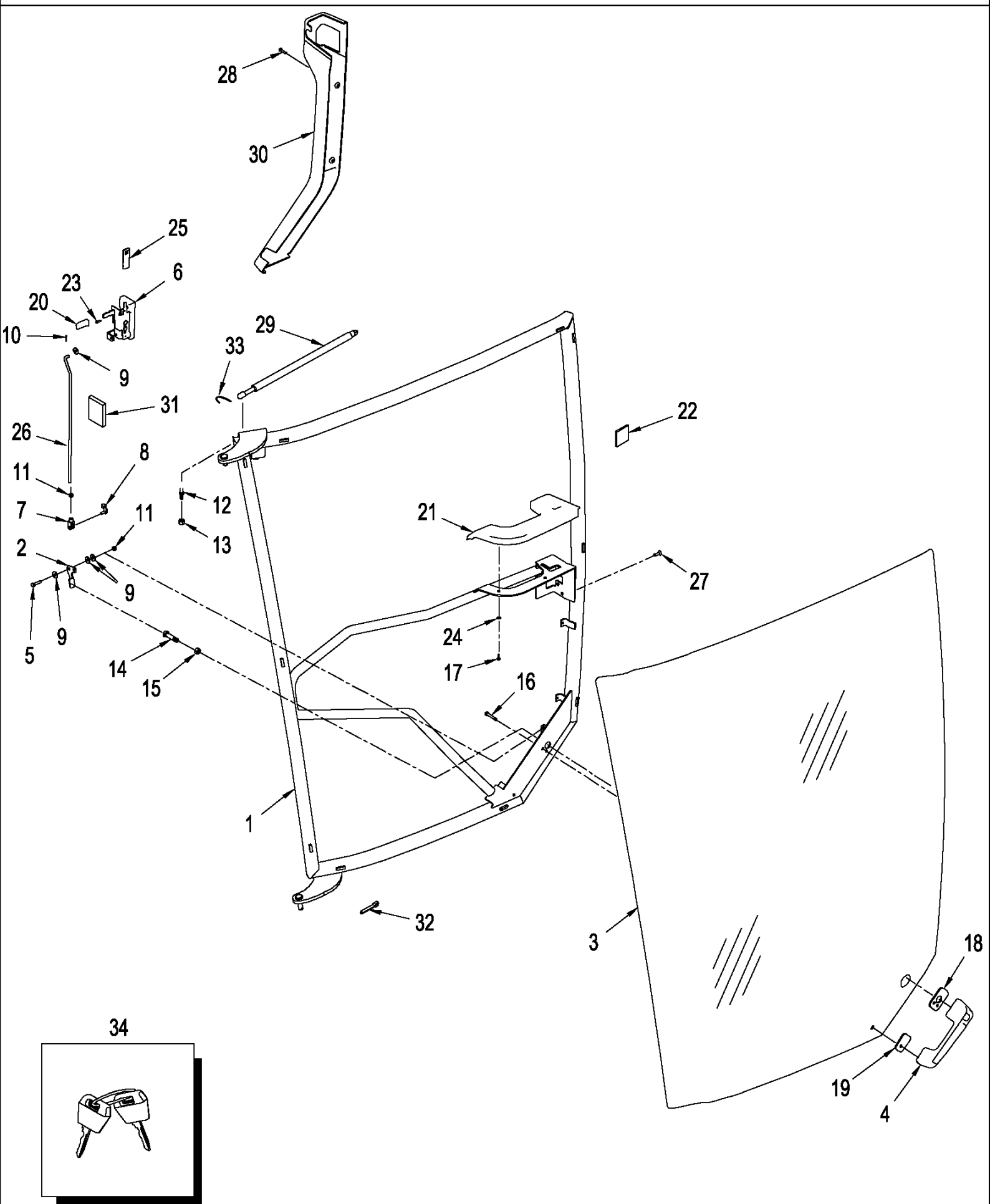
сылка	Номер детали	Кол-во	Описание
1	87561589	1	MAT, FLOOR, Rubber, With Power Shift Transmission, Deluxe Cab
2	87561584	1	CARPET, Floor Mat, Luxury Cab
3	87562811	1	MAT, FLOOR, Rubber, Deluxe Cab, With Manual Shift Transmission
4	87537334	1	FRAME, CAB, ROPs
4	87537336	1	FRAME, CAB, ROPs / FOPs
5	87537771	1	INSULATION, FOAM,
6	390360A1	2	SEAL, Cut From 388449A1
7	733-3220	2	PIN, SPLIT (COTTER), M3.2 x 20,
8	353-593	2	PLUG, 2-1/2" ID
9	369719A1	1	BRACKET, Door
10	371554A1	1	BRACKET,
11	353-404	1	PLUG, Dome, .500" hole, Nylon, , Used without ACCUGUIDE Option
12	442085A1	2	MOUNTING PARTS,
13	3234063R1	2	BALL JOINT,
14	413022A2	1	DOOR ASSY., See Figure: 09-15
	389175A3	1	WINDOW ASSY, Inc. 13, 15, 16 - 23, 33 , 42 - 44, Also Order 87423532 Door Catch Pin
15	389176A1	1	FRAME, WINDOW, Right-Hand
16	181242A3	1	WINDOW, Glass
17	87420877	1	BRACKET, Latch
18	87422906	1	BUSHING, M6
19	87423414	2	WASHER, Nylon
20	87418389	1	LATCH ASSY., Door, Right-Hand
21	844-6020	1	BOLT, Hex Flg, M6 x 20, 8.8,
22	627-6016	2	BOLT, Hex, M6 x 16, 10.9,
23	825-2406	2	NUT, M6 x 1, Flg, Cl 8,
24	87543673	10	SPACER,
25	87423532	1	PIN, Door Catch
26	832-4748	1	NUT, LOCK, M8 x 1.25, Flg, Cl 8,
27	87429877	4	BUSHING,
28	R51754	1	CATCH,
29	231-5347	1	NUT, LOCK, 7/16"-14, G5,
30	353-406	1	PLUG, Dome, .625" hole, Nylon,
31	64-146	11	PLUG, 1/2"
32	87423389	1	DAMPER, Gas Spring
33	403749A1	1	NUT, M10; 10,9
34	829-1408	4	NUT, M8, Cl 10,
35	414699A1	1	PLATE, , With Power Shift Transmission
36	614-6020	2	BOLT, Hex, M6 x 20, 8.8,
37	404287A1	2	INSERT, Threaded
38	327310A1	1	PLATE,
39	895-11008	4	WASHER, M8 x 16 x 1.6,
40	829-2416	2	NUT, M16 x 2, Flg, Cl 10,
41	3233348R1	2	CLIP, Retainer, 13 mm (1/2")
42	87423716	1	CAP, Vinyl
43	895-11006	3	WASHER, M6,

STX530 CASE IH 4WD TRACTOR (BTW Z6F100023 - Z6F105001)

09-14 CAB - FLOORMATS AND DOORS

сылка	Номер детали	Кол-во	Описание
44	832-10406	1	NUT, LOCK, M6 x 1, CI 8,
45	896-11008	1	WASHER, M8 x 17.5 x 2, HT,
46	353-422	1	PLUG, Dome, 1.250" hole, Nylon, , Used without ACCUGUIDE Option
47	329720A1	1	CYLINDER, Gas Spring
48	353-403	3	PLUG, Dome, .437" hole, Nylon,

09-15 DOOR ASSEMBLY

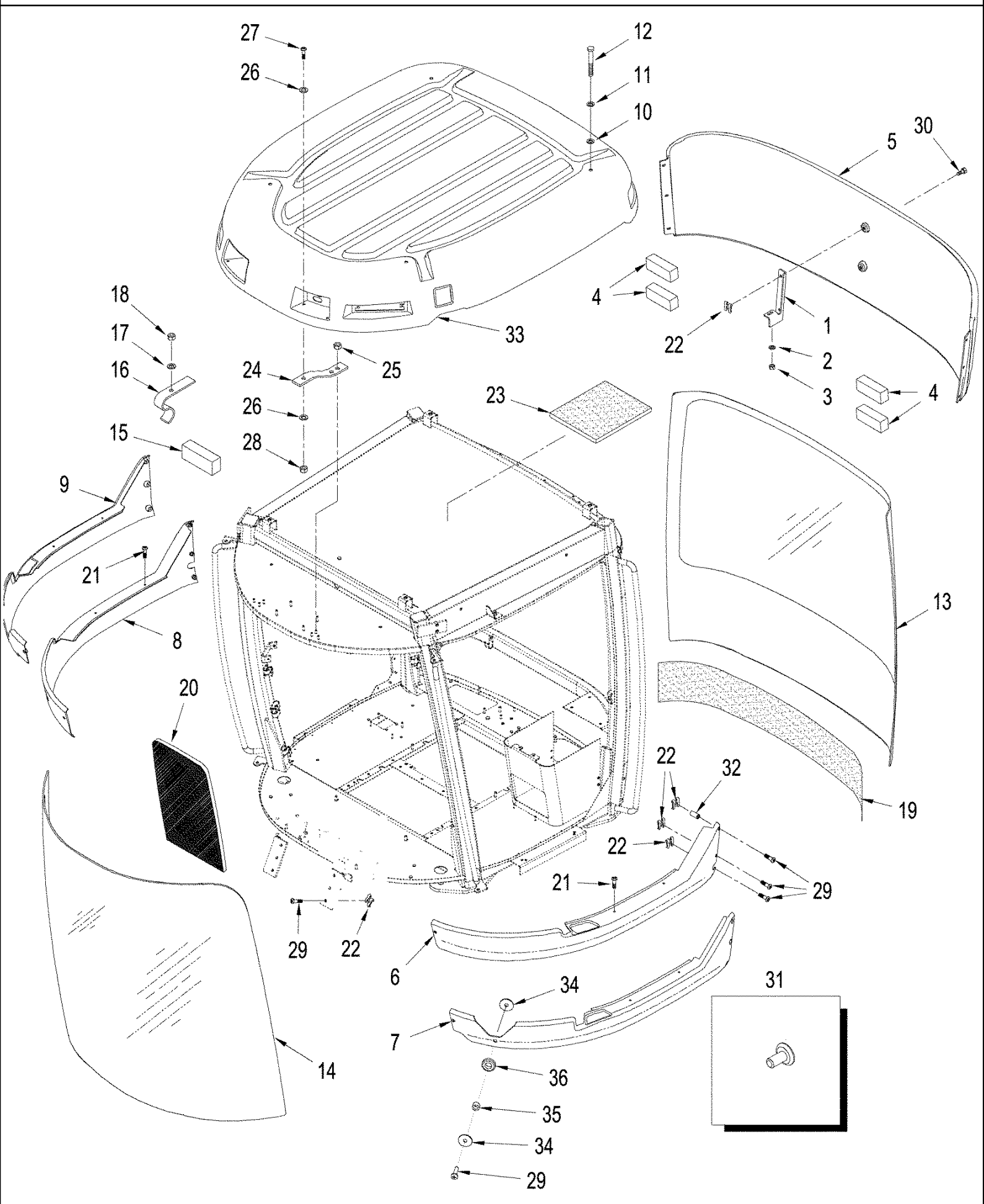


STX530 CASE IH 4WD TRACTOR (BTW Z6F100023 - Z6F105001)

09-15 DOOR ASSEMBLY

сылка	Номер детали	Кол-во	Описание
	413022A2	1	DOOR ASSY., Inc. 1 - 27
1	388785A2	1	DOOR, Frame
2	388934A1	1	LEVER, Door Latch
3	181239A4	1	WINDOW ASSY, Glass
4	9707331	1	HANDLE, Cab Door, Exterior
5	614-6025	1	BOLT, Hex, M6 x 25, 8.8,
6	388874A2	1	LATCH, Door
7	713-226	1	CLEVIS, M6 x 12
8	906020R1	1	CLIP, M6 x 6
9	895-25006	6	WASHER, M6 x 18 x 1.6,
10	733-1610	1	PIN, SPLIT (COTTER), M1.6 x 10,
11	829-1406	2	NUT, M6, CI 10,
12	3234063R1	1	BALL JOINT,
13	403749A1	1	NUT, M10; 10.9
14	340-12520	1	SCREW, Cross Pan Hd, 1/4"-20 x 1 1/4",
15	425-104	1	NUT, 1/4"-20, G5,
16	805-6035	3	BOLT, Hex, Lock, M6 x 35, CI 10.9,
17	760-17316	2	SCREW, SELF TAPPING, Pan Hd, M4.2 x 16,
18	194174A1	1	GASKET, Large, Door Handle
19	194175A1	1	GASKET, Small, Door Handle
20	388122A1	1	HANDLE, Door, Interior
21	388120A2	1	ARMREST,
22	87543673	10	SPACER,
23	760-14316	1	SCREW, SELF TAPPING, Pan Hd, M4.2 x 16,
24	895-30101	2	WASHER, M5 x 10 x 1,
25	352842A1	1	KNOB, Lock
26	388936A1	1	ROD,
27	461-42512	4	SCREW, Hex Soc Flat Hd, 1/4"-20 x 3/4",
28	87016541	3	SCREW, SELF TAPPING, Cross Pan Hd, #10 x 1",
29	329720A1	1	CYLINDER, Gas Spring
30	358329A3	1	COVER, Door Latch
31	369566A1	1	TAPE, ADHESIVE,
32	733-3220	1	PIN, SPLIT (COTTER), M3.2 x 20,
33	3233348R1	2	CLIP,
34	86502201	1	SET OF 2 KEYS, Cab Door

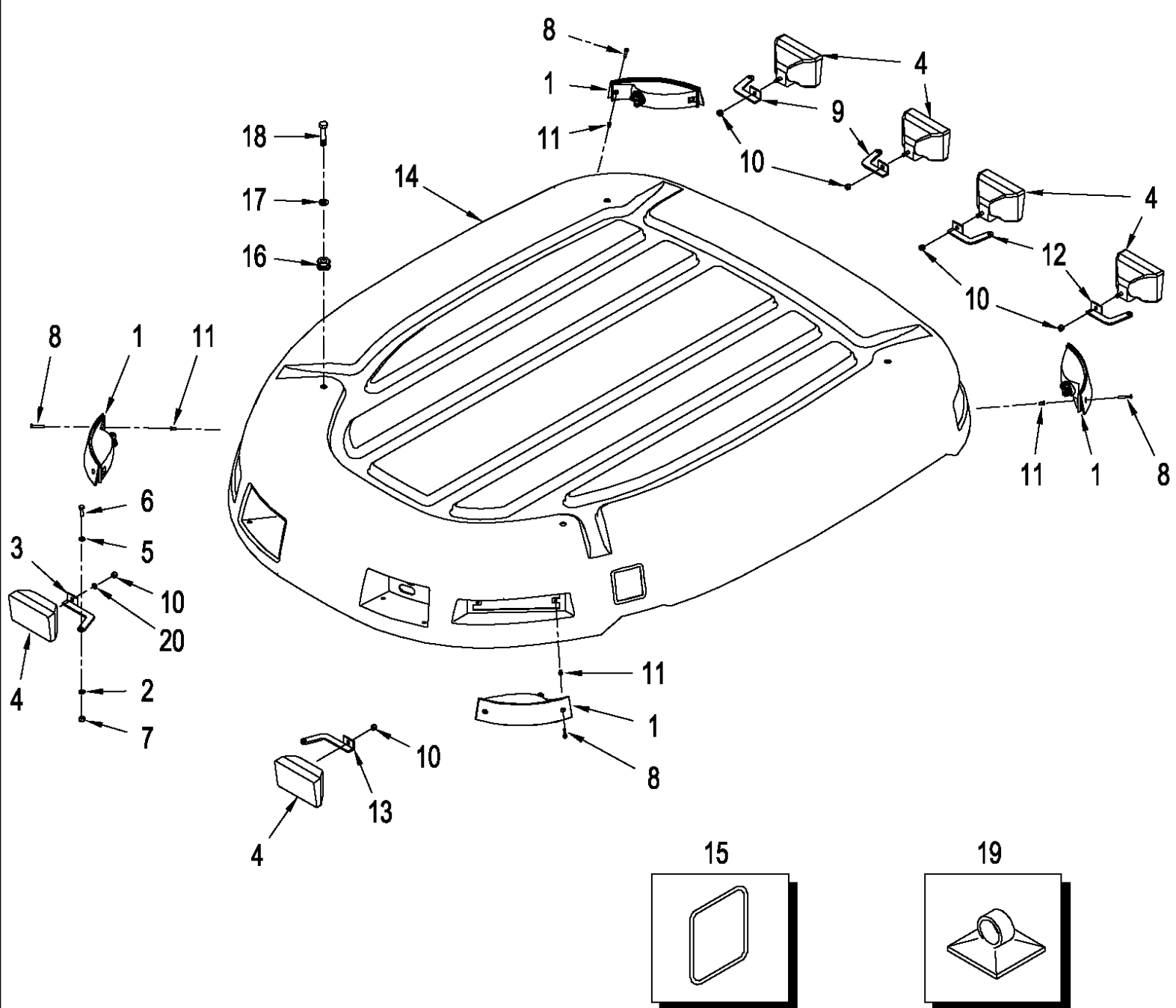
09-16 CAB - SKIRTS AND GLASS



STX530 CASE IH 4WD TRACTOR (BTW Z6F100023 - Z6F105001)

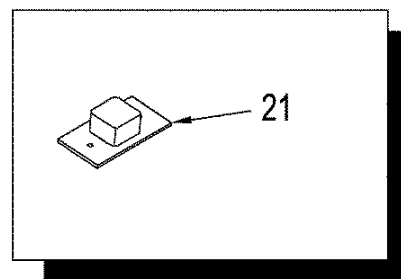
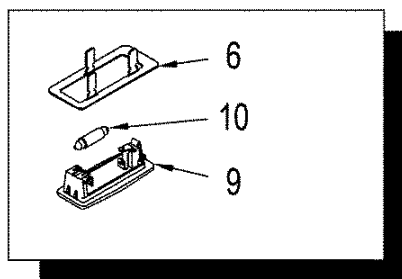
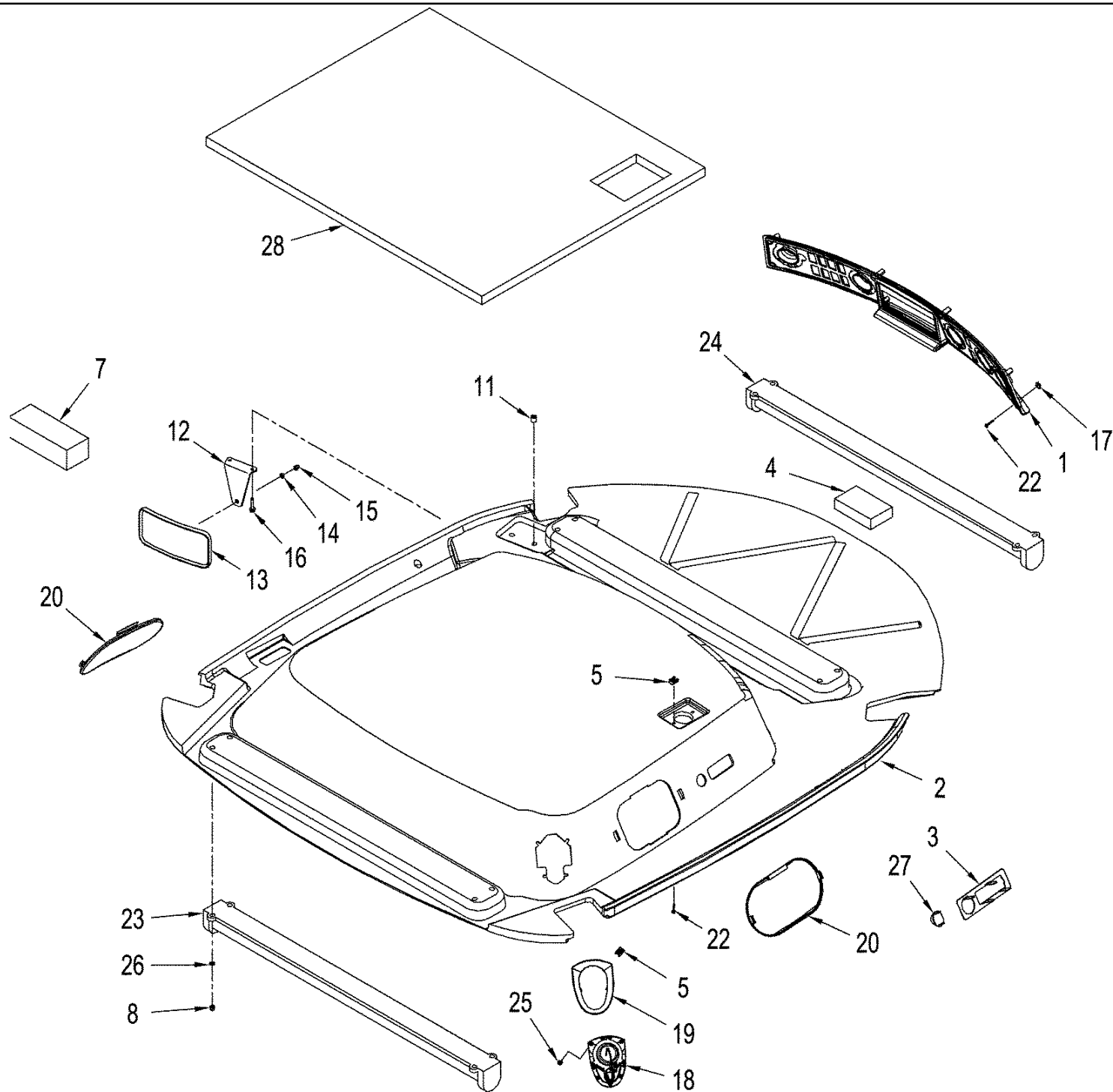
09-16 CAB - SKIRTS AND GLASS

сылка	Номер детали	Кол-во	Описание
1	341574A4	1	BRACKET, Mounting, Rear Cab Skirt
2	895-11008	1	WASHER, M8 x 16 x 1.6,
3	829-1408	1	NUT, M8, CI 10,
4	403325A2	4	FOAM, Rear Frame
5	87534631	1	SKIRT, Rear
6	87357990	1	COVER, SKIRT, Left-Hand
7	87342106	1	COVER, SKIRT, Left-Hand, with Lower Front Wiper
8	87357991	1	COVER, SKIRT, Right-Hand
9	87342107	1	COVER, SKIRT, Right-Hand, with Lower Front Wiper
10	361191A1	4	GROMMET,
11	896-15016	4	WASHER, M17.5 x 34 x 5, HT,
12	627-16035	4	BOLT, Hex, M16 x 35, 10.9,
13	181240A2	1	GLASS, Rear
14	87436557	1	GLASS, TINTED, Windshield
14	87436560	1	GLASS, TINTED, Laminated (Europe Only)
15	87543673	52	SPACER,
16	117707A3	7	CLAMP, Window
17	895-11008	8	WASHER, M8 x 16 x 1.6,
18	829-1408	8	NUT, M8, CI 10,
19	259462A1	1	INSULATION, FOAM, 1525 mm (60 in)
20	87312395	1	INSULATION, FOAM, Steering Console
21	840-2820	4	SCREW, Cross Pan Hd, M8 x 20,
22	404882A1	6	FASTENER, M6, Clip Nut
23	355716A3	1	FOAM, Accoustical, Cab Roof
24	364156A1	4	BRACKET, Roof Support
25	829-1408	8	NUT, M8, CI 10,
26	895-15008	8	WASHER, M8 x 20 x 1.6,
27	627-8025	4	BOLT, Hex, M8 x 25, 10.9,
28	832-10408	4	NUT, LOCK, M8 x 1.25, CI 8,
29	840-1625	10	SCREW, Cross Pan Hd, M6 x 25,
30	840-1620	2	SCREW, Cross Pan Hd, M6 x 20,
31	353-406	1	PLUG, Dome, .625" hole, Nylon, If Used, Used without AFS Option
32	404287A1	4	INSERT,
33	NSS	1	NOT SERVICED SEPARATELY, Roof Assy, See Figure: 09-17
34	895-15006	4	WASHER, M6 x 25 x 1.6,
35	60-5021T1	2	SPACER,
36	60-6840T1	2	GROMMET, 1/2"



09-17 ROOF

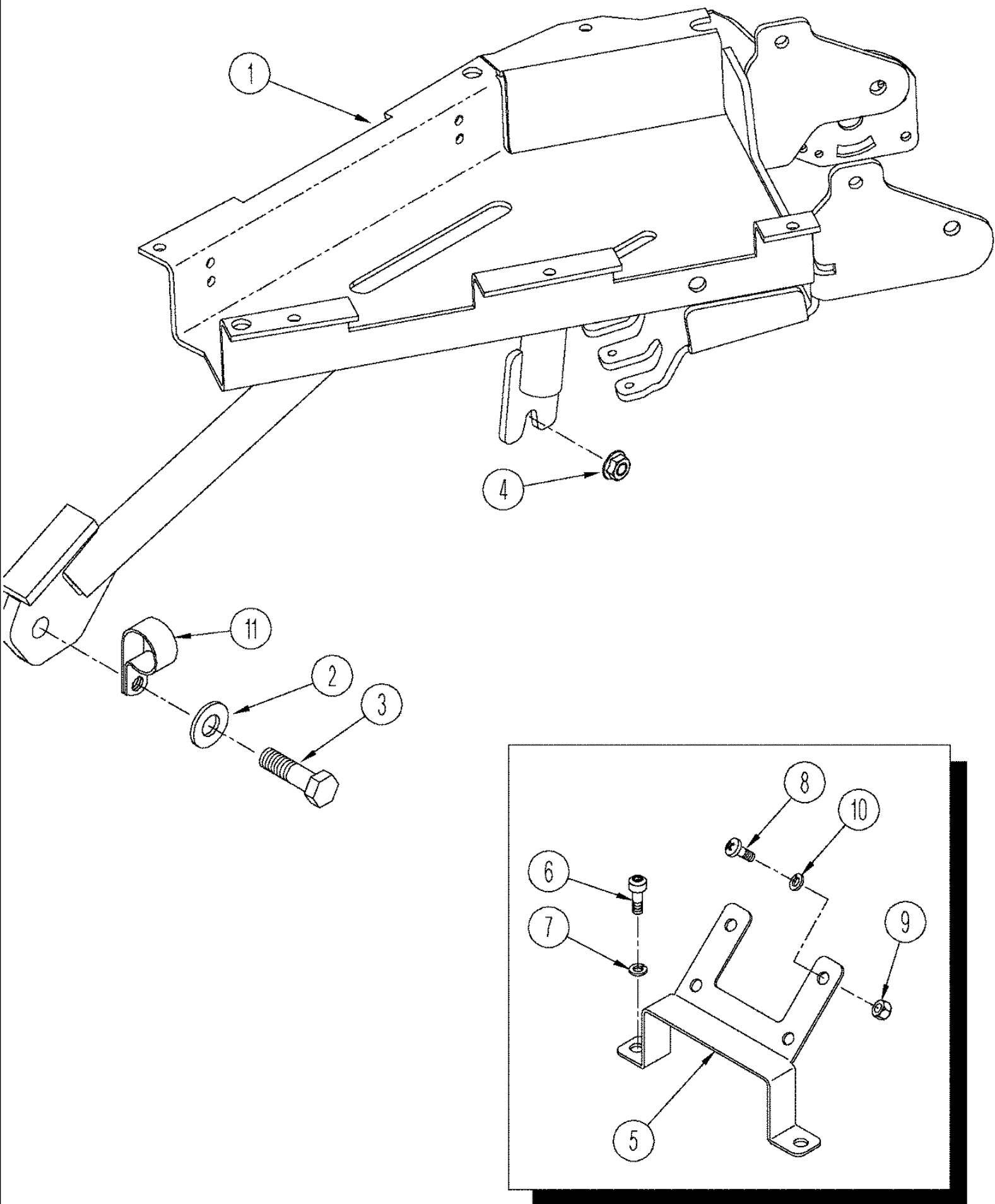
сылка	Номер детали	Кол-во	Описание
1	320246A1	4	LAMP, Warning, See Figure: 04-25
2	355532A1	6	WASHER, Nylon
3	353561A1	1	BRACKET, Lamp Mounting, Right-Hand, Front
4	92269C1	6	LAMP, WORK, See Figure: 04-25
5	895-10008	6	WASHER, M8 x 16 x 1.6,
6	627-8025	6	BOLT, Hex, M8 x 25, 10.9,
7	832-10408	6	NUT, LOCK, M8 x 1.25, CI 8,
8	840-1535	8	SCREW, Cross Pan Hd, M5 x 35,
9	353563A1	2	BRACKET, Lamp Mounting, Right-Hand, Rear
10	829-1410	6	NUT, M10, CI 10,
11	451165A1	8	INSERT, THREADED,
12	353562A1	2	BRACKET, Lamp Mounting, Left-Hand, Rear
13	353560A1	1	BRACKET, Lamp Mounting, Left-Hand, Front
14	87394823	1	ROOF,
15	392149A1	2	DECAL, Cover, Without Mirror
16	361191A1	4	GROMMET,
17	895-15016	4	WASHER, M16 x 34 x 3,
18	627-16035	4	BOLT, Hex, M16 x 35, 10.9,
19	435436A1	7	MOUNT, RUBBER, Cable
20	892-11010	4	WASHER, LOCK, M10,



STX530 CASE IH 4WD TRACTOR (BTW Z6F100023 - Z6F105001)

09-18 CAB - HEADLINER AND CONTROL PANEL, DELUXE AND LUXURY CAB

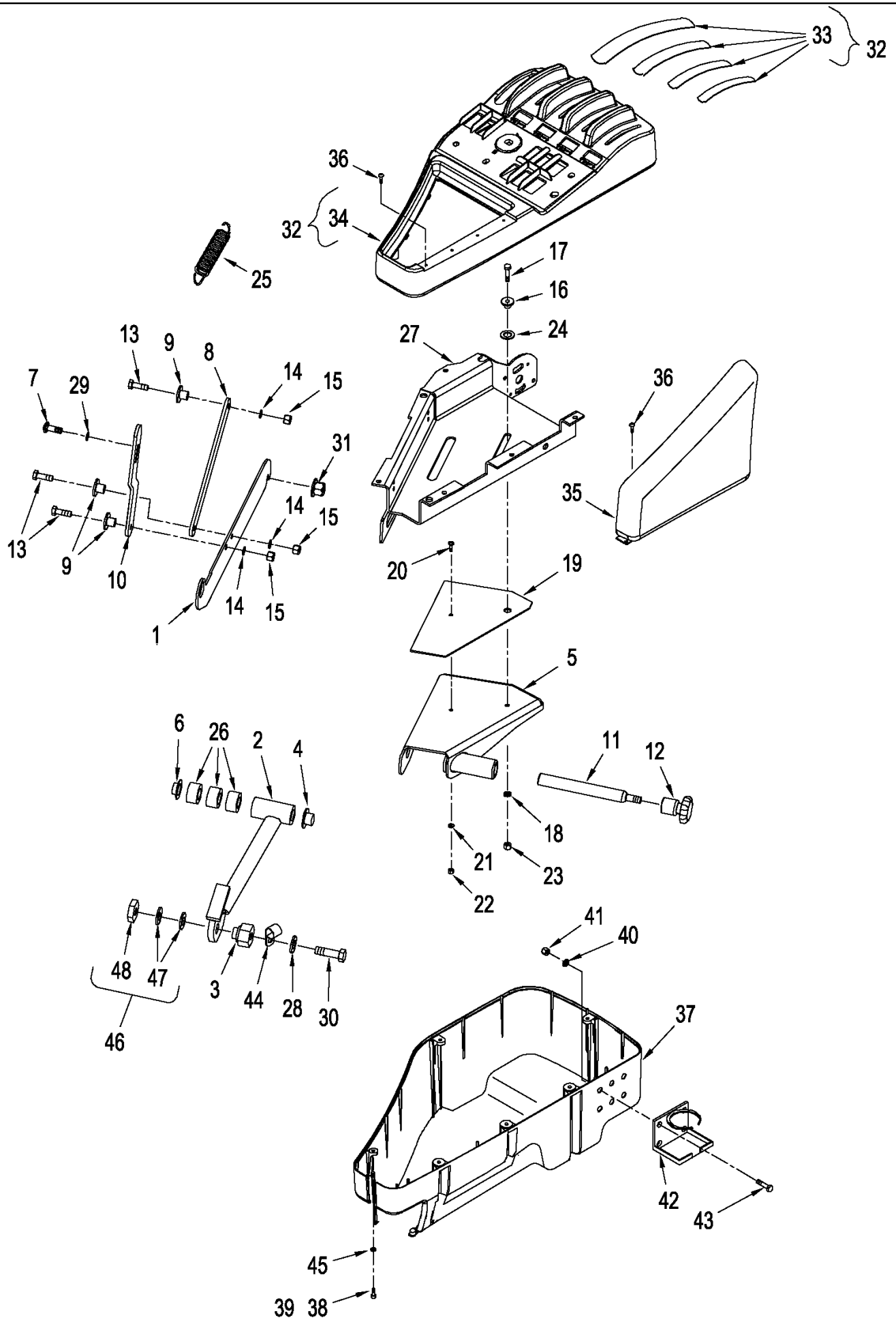
сылка	Номер детали	Кол-во	Описание
1	87453141	1	PANEL, Overhead Control
	359616A3	1	LINING, ROOF, Inc. 2 - 7
2	NSS	1	NOT SERVICED SEPARATELY, Headliner
3	305485A2	1	RETAINER, Domelight
4	328039A1	3	PAD, No. 6 x 5/8
5	302862A1	6	NUT,
6	305484A2	2	RETAINER, Domelight
7	328037A1	1	PAD, 9 x 20 x 1,6 mm
8	834-502	8	NUT, Crown, M6, Cl8,
9	1983391C1	3	LAMP, Dome, Inc. 10
10	E35556	1	BULB, 12V, 10W
11	02-3010T1	1	SPACER,
12	64-086T3	1	BRACKET,
13	A177462	1	MIRROR, Rearview, Inc. 14, 15
14	493-41026	1	WASHER, LOCK, Ext Tooth, 1/4",
15	19-5565	1	NUT, LOCK, 1/4"-28, GB,
16	555-12	2	BOLT, Hex Flg, M6 x 30, 10.9,
17	177269A1	8	NUT,
18	372892A1	1	LAMP, Map
19	360364A1	1	BEZEL, Map Lamp
20	358683A1	2	GRILLE, Speaker
21	83882C91	1	LAMP,
22	1270741C1	10	SCREW, SELF TAPPING, Cross Pan Hd, #8 x 1",
23	87450400	1	VISOR, SUN, Rear
24	87450399	1	VISOR, SUN, Front
25	260-54310	4	SCREW, SELF TAPPING, Cross Pan Hd, #6 x 5/8",
26	297865A1	8	WASHER, 6 x 12 x 1.6 mm
27	280628A1	1	PLUG, Switch, Used without Mirror
28	384759A1	1	FOAM, Accoustic, Roof



STX530 CASE IH 4WD TRACTOR (BTW Z6F100023 - Z6F105001)

09-19 CONSOLE - RIGHT-HAND ARMREST, MANUAL

сылка	Номер детали	Кол-во	Описание
1	87364048	1	SUPPORT, Console, Deluxe Cab
2	895-15012	1	WASHER, M12 x 28 x 2.5,
3	627-12045	1	BOLT, Hex, M12 x 45, 10.9, Full Thd, , Deluxe Cab
4	825-2408	1	NUT, M8 x 1.25, Flg, CI 8,
5	349563A1	1	BRACKET, without Arm Rest
6	864-4012	2	SCREW, Hex Soc Hd, M4 x 12, 8.8,
7	895-11004	2	WASHER, M4,
8	840-1316	4	SCREW, Cross Pan Hd, M3 x 16,
9	824-1403	4	NUT, M3, CI 5,
10	895-11003	4	WASHER, M3,
11	515-25190	1	CLAMP, 3/4", Insul, 1/2" Bolt, 3/4 ID



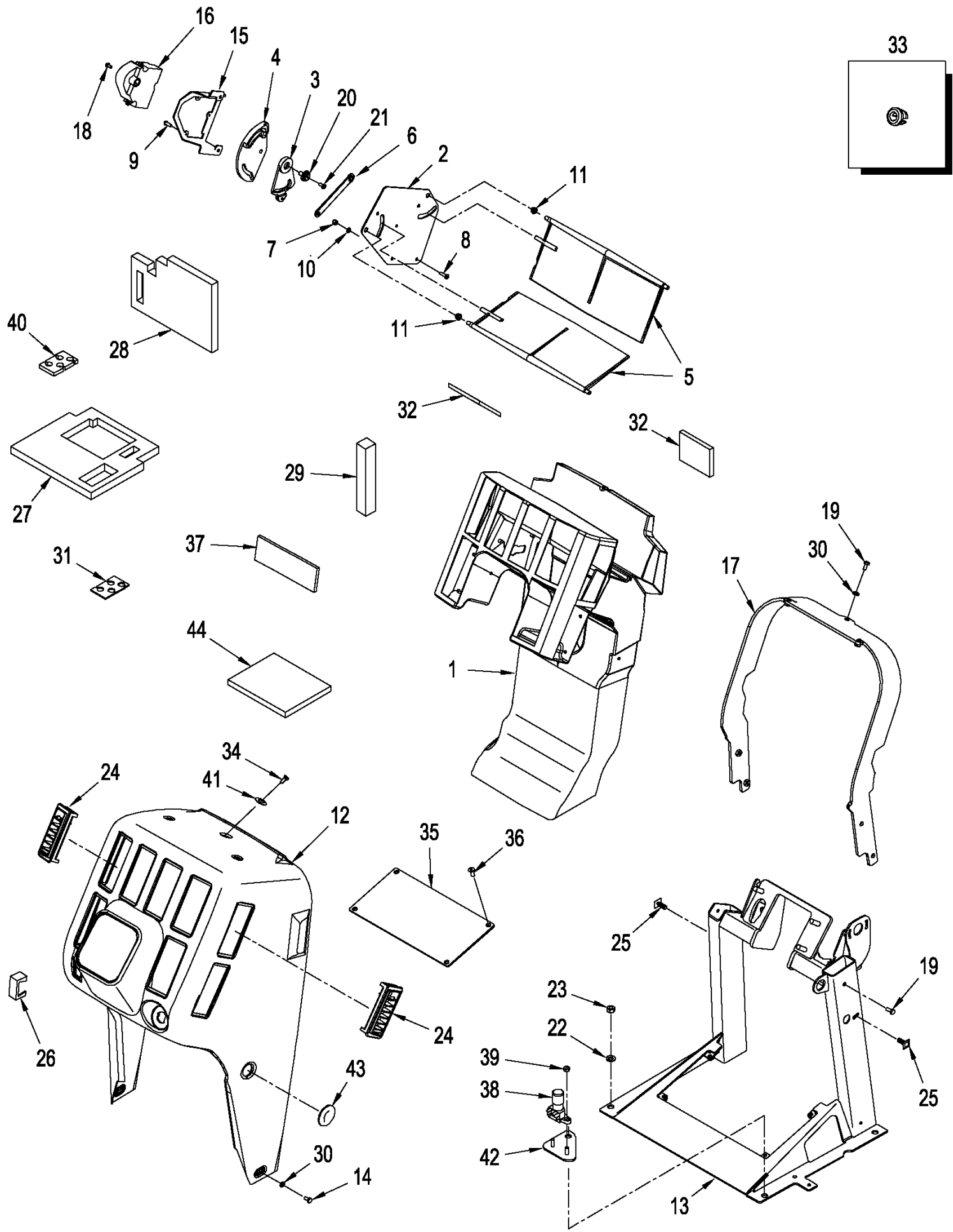
сылка	Номер детали	Кол-во	Описание
	87519426	1	SUPPORT, Electric, Inc. 1 - 27, 29, With Power Shift Transmission
1	NSS	1	NOT SERVICED SEPARATELY, Plate
2	NSS	1	NOT SERVICED SEPARATELY, Support
3	NSS	1	NOT SERVICED SEPARATELY, Shaft, Support Console
4	185062R1	1	BUSHING,
5	NSS	1	NOT SERVICED SEPARATELY, Support, Lower
6	294296A1	1	BUSHING,
7	NSS	1	NOT SERVICED SEPARATELY, Bolt, Special
8	NSS	1	NOT SERVICED SEPARATELY, Link
9	NSS	3	NOT SERVICED SEPARATELY, Washer, Shoulder
10	NSS	1	NOT SERVICED SEPARATELY, Bracket
11	NSS	1	NOT SERVICED SEPARATELY, Bolt, Special
12	319870A1	1	KNOB,
13	627-8025	3	BOLT, Hex, M8 x 25, 10.9,
14	895-15008	3	WASHER, M8 x 20 x 1.6,
15	832-10408	3	NUT, LOCK, M8 x 1.25, CI 8,
16	277582A1	2	WASHER,
17	628-6025	2	BOLT, Hex, M6 x 25, 10.9, Full Thd,
18	895-11006	2	WASHER, M6,
19	277576A1	1	SPACER,
20	840-1414	1	SCREW, Cross Pan Hd, M4 x 14,
21	895-11004	1	WASHER, M4,
22	832-10404	1	NUT, LOCK, M4 x .7, CI 8,
23	832-10406	2	NUT, LOCK, M6 x 1, CI 8,
24	277570A1	2	WASHER,
25	NSS	1	NOT SERVICED SEPARATELY, Spring
26	294295A1	3	BEARING, NYLON,
27	NSS	1	NOT SERVICED SEPARATELY, Support, Upper
28	895-15012	1	WASHER, M12 x 28 x 2.5,
29	NSS	1	NOT SERVICED SEPARATELY, Washer, Ribbed
30	627-12045	1	BOLT, Hex, M12 x 45, 10.9, Full Thd,
31	825-2408	1	NUT, M8 x 1.25, Flg, CI 8,
32	87314378	1	CONSOLE, Upper Armrest, with Decals, Inc. 33 & 34, Deluxe Cab, Luxury Cab
33	407759A1	1	DECAL, Throttle / EH Levers, Luxury Cab, Deluxe Cab
34	87314379	1	COVER, Upper Armrest, Deluxe Cab, Luxury Cab
35	277204A2	1	CUSHION, Vinyl, Deluxe Cab
35	358812A2	1	CUSHION ASSY., Leather, Luxury Cab
36	760-14316	4	SCREW, SELF TAPPING, Pan Hd, M4.2 x 16,
37	238291A1	1	HOUSING, Lower
37	361350A1	1	HOUSING, Lower Armrest, Without Advanced Farming Systems (AFS)
37	87339621	1	HOUSING, Lower Armrest, With Advanced Farming Systems (AFS)
38	864-4020	6	SCREW, Hex Soc Hd, M4 x 20, 8.8, , With Advanced Farming Systems (AFS)
39	864-4016	6	SCREW, Hex Soc Hd, M4 x 16, 8.8, , Without Advanced Farming Systems (AFS)
40	895-11004	6	WASHER, M4,
41	824-1404	4	NUT, M4, CI 5,

STX530 CASE IH 4WD TRACTOR (BTW Z6F100023 - Z6F105001)

09-20 CONSOLE - RIGHT HAND ARMREST, ELECTRIC, BSN Z7F105745

сылка	Номер детали	Кол-во	Описание
42	331649A1	1	HOLDER, Cup
43	840-1412	4	SCREW, Cross Pan Hd, M4 x 12,
44	515-25190	1	CLAMP, 3/4", Insul, 1/2" Bolt,
45	893-11004	6	WASHER, LOCK, Ext Tooth, M4,
46	87396230	1	BUSHING, Console, Inc. 3, 47 & 48
47	NSS	2	NOT SERVICED SEPARATELY, Washer, Bronze
48	NSS	1	NOT SERVICED SEPARATELY, Nut, Lock, 1"

09-21 FRONT CONSOLE

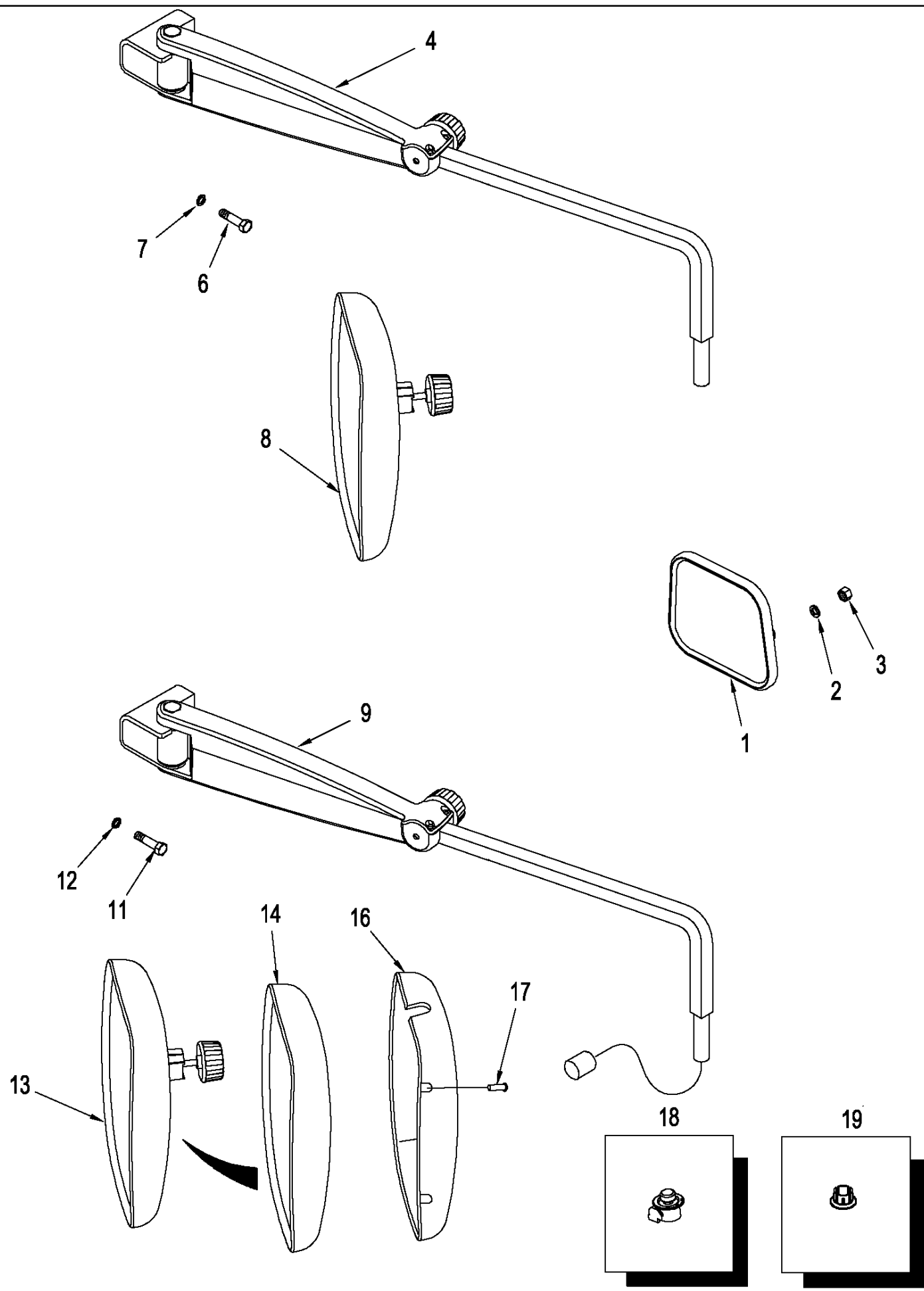


STX530 CASE IH 4WD TRACTOR (BTW Z6F100023 - Z6F105001)

09-21 FRONT CONSOLE

сылка	Номер детали	Кол-во	Описание
1	87433098	1	DUCT, AIR, Air Conditioning and Heating
2	257059A2	1	PLATE, Support
3	281138A2	1	GUIDE, Plate
4	281139A1	1	GUIDE, Plate
5	246476A1	2	VENT, Air Plenum
6	275601A1	1	LINK,
7	832-10404	1	NUT, LOCK, M4 x .7, CI 8,
8	840-1416	1	SCREW, Cross Pan Hd, M4 x 16,
9	840-148	3	SCREW, Cross Pan Hd, M4 x 8,
10	895-11004	1	WASHER, M4,
11	60-2416T1	5	BEARING, NYLON,
12	360446A1	1	CONSOLE, Front
13	87517381	1	STEERING ASSY, Support
14	628-6012	2	BOLT, Hex, M6 x 12, 10.9, Full Thd,
15	277438A1	1	SUPPORT, Bracket
16	275602A1	1	ACTUATOR, Motor
17	280566A1	1	SUPPORT, Front Console
18	760-14316	3	SCREW, SELF TAPPING, Pan Hd, M4.2 x 16,
19	627-6016	7	BOLT, Hex, M6 x 16, 10.9,
20	281140A1	1	WASHER, Shoulder
21	840-1410	1	SCREW, Cross Pan Hd, M4 x 10,
22	895-11010	4	WASHER, M10 x 20 x 2,
23	829-1310	4	NUT, M10, CI 10,
24	363931A1	10	VENT, Small
25	301098A1	2	CLIP, Snap-In
26	86000535	1	PLUG, 1.427" x .62", Plastic, Switch, No Ether Start
27	87437453	1	FOAM, Acoustical
28	87442532	1	SEAL,
29	384786A2	2	FOAM,
30	895-11006	5	WASHER, M6,
31	87437454	1	DECAL, Floor Sealing
32	446687A1	4	FOAM, Louver Dampner
33	A67295	1	PLUG, Control Cable
34	436276A1	3	SCREW, Button Hd
35	87433404	1	PLATE, Access
36	843-1616	4	SCREW, Hex Flat Hd, M6 x 16, 4.8,
37	356717A1	1	TAPE, ADHESIVE,
38	87340325	1	SWITCH, Decelaration
39	829-1406	2	NUT, M6, CI 10,
40	87437455	1	FOAM, Accoustical
41	195-81023	3	WASHER, #12,
42	87561659	1	PLATE, MOUNTING, Decel Switch
43	376597A2	1	COVER, Hole
44	87688791	1	Block

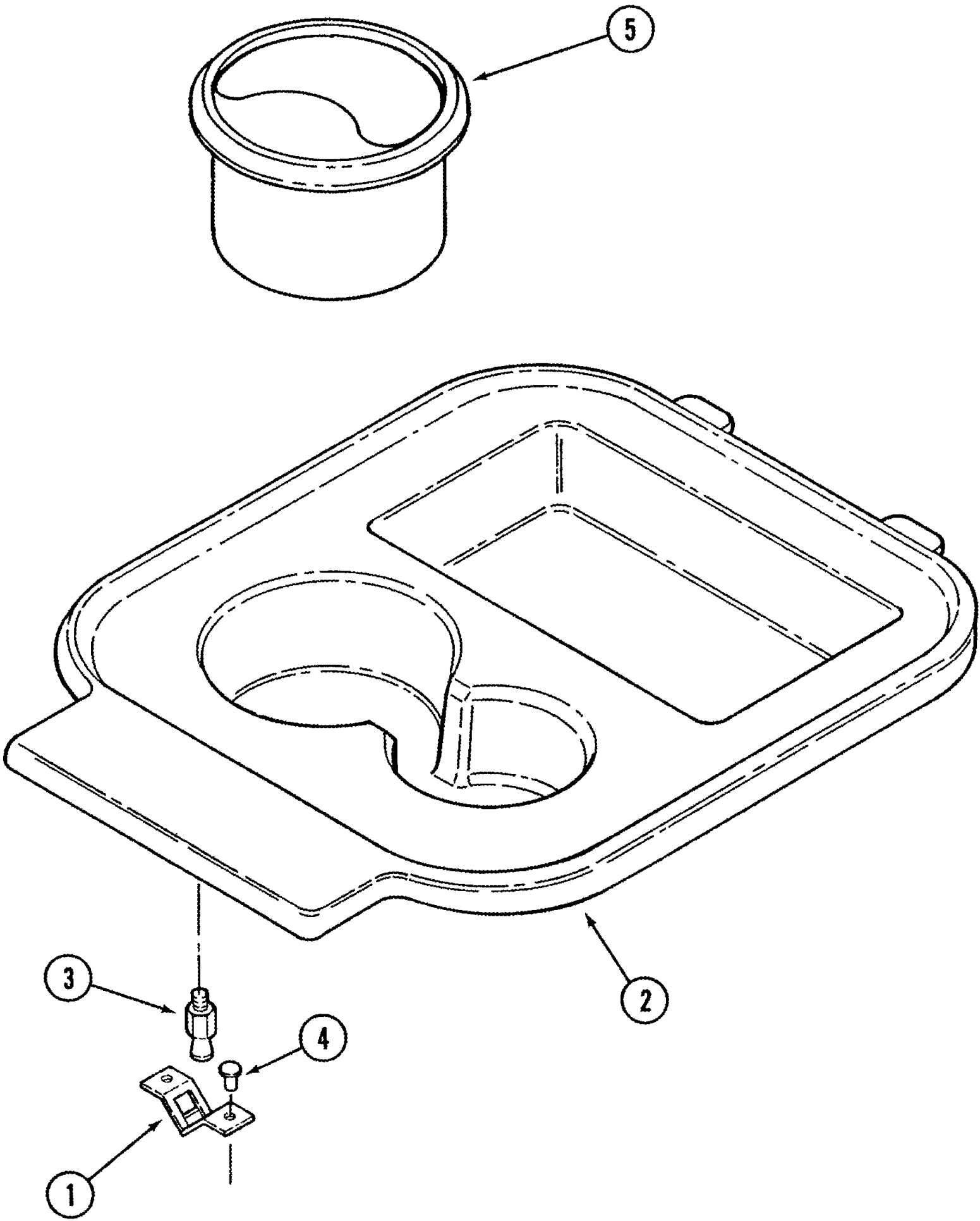
09-22 MIRRORS



STX530 CASE IH 4WD TRACTOR (BTW Z6F100023 - Z6F105001)

09-22 MIRRORS

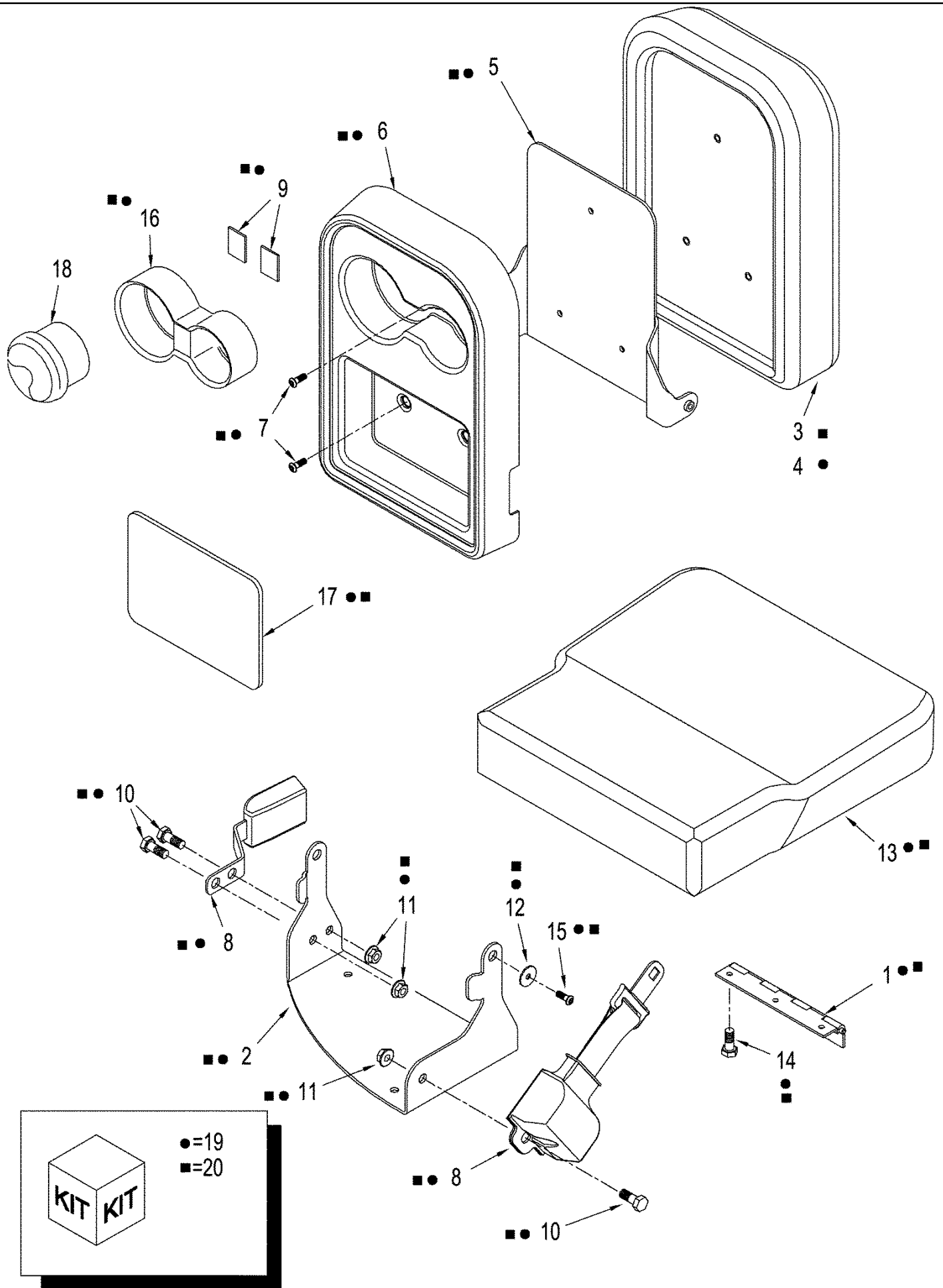
сылка	Номер детали	Кол-во	Описание
1	A177462	1	MIRROR, Interior, Inc. 2, 3
2	493-41026	1	WASHER, LOCK, Ext Tooth, 1/4",
3	19-5565	1	NUT, LOCK, 1/4"-28, GB,
4	313139A1	1	ARM, Manual, RH, BSN Z6F105001
4	313140A1	1	ARM, Manual, LH, BSN Z6F105001
4	87363073	1	ARM, Manual, RH, ASN Z6F105001
5	87363070	1	ARM, Manual, LH, Not Illustrated, ASN Z6F105001
6	514-865	4	BOLT, Hex, M12 x 80, 10.9,
7	896-19012	4	WASHER, M12 x 24.5 x 3, HT,
8	365414A1	2	MIRROR, Manual, BSN Z6F105001
8	87350494	2	MIRROR ASSY., Manual, ASN Z6F105001
9	313141A1	1	ARM, Electric, RH, BSN Z6F105001
9	87363082	1	ARM, Electric, RH, ASN Z6F105001
10	87369735	1	ARM, Electric, LH, Not Illustrated, BSN Z6F105001
10	87363077	1	ARM, Electric, LH, Not Illustrated, ASN Z6F105001
11	514-865	4	BOLT, Hex, M12 x 80, 10.9,
12	896-19012	4	WASHER, M12 x 24.5 x 3, HT,
13	360580A1	2	MIRROR, Assy., Electric, Inc. 14, BSN Z6F105001
14	87363066	1	MIRROR, Electric, ASN Z6F105001
15	324437A1	1	MIRROR, REPLACEMENT, Glass
16	87674626	1	Electric Mirror
17	760-17113	4	SCREW, SELF TAPPING, Pan Hd, M3.5 x 13, Cover, Electric Mirror
18	280627A1	1	SWITCH, MIRROR ADJUSTMENT, Mirror Adjustment
19	280628A1	1	PLUG, Mirror Switch, Manual Mirror



STX530 CASE IH 4WD TRACTOR (BTW Z6F100023 - Z6F105001)

09-23 SEAT - NON-INSTRUCTIONAL

сылка	Номер детали	Кол-во	Описание
1	1961435C1	1	LATCH, Non-Instructional Seat
2	358331A1	1	TRAY, Storage, Non-Instructional Seat
3	1977929C1	1	STUD,
4	151-553	2	RIVET, Pop, 1/8" x .337",
5	302456A1	1	ASH TRAY, If Used

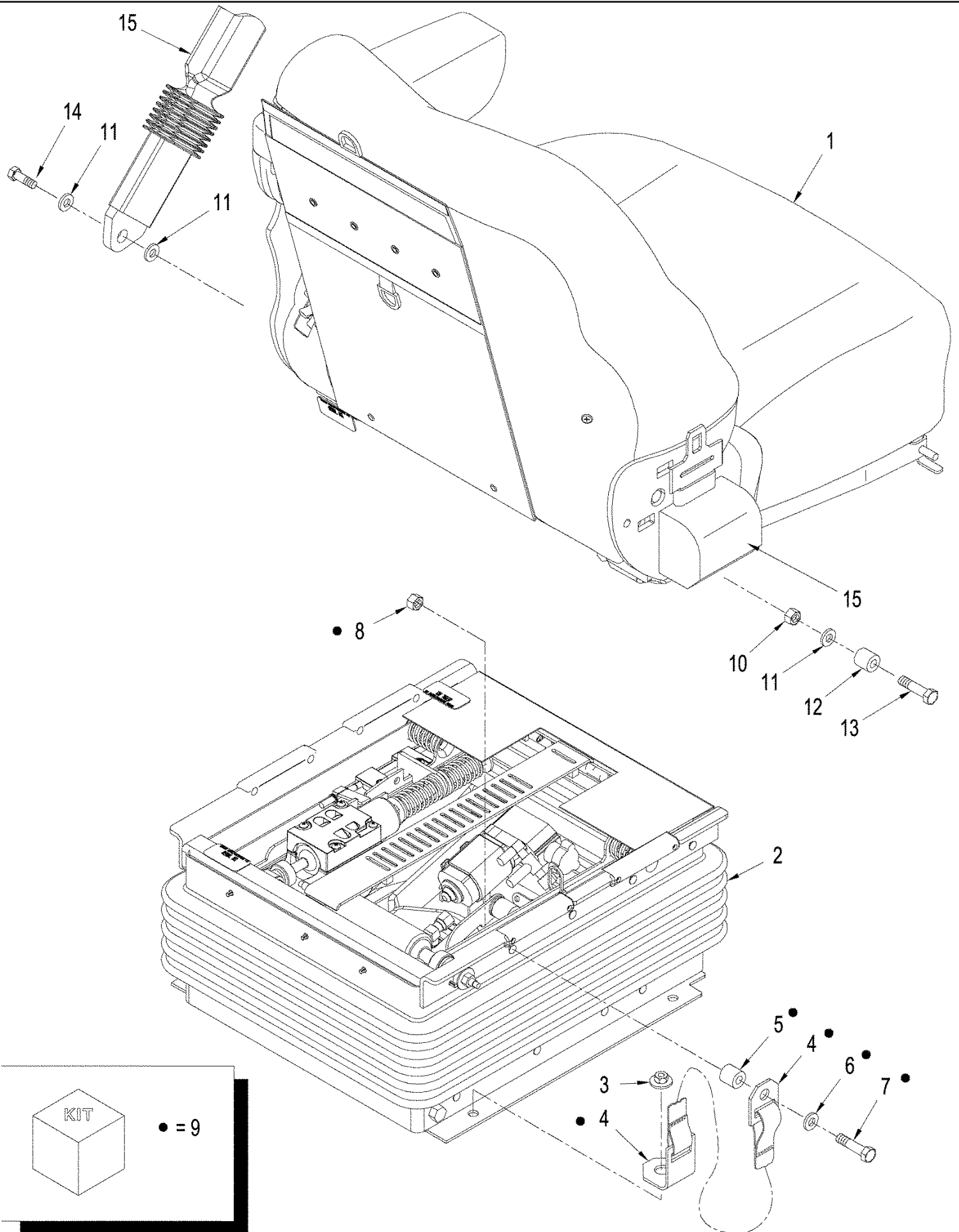


STX530 CASE IH 4WD TRACTOR (BTW Z6F100023 - Z6F105001)

09-24 SEAT - INSTRUCTIONAL

сылка	Номер детали	Кол-во	Описание
1	365674A1	1	HINGE, Instructional Seat
2	249707A2	1	BRACKET, Mounting, Instructional Seat
	359383A1	1	SEAT ASSY., Cloth, Inc. 3, 5 - 7
	359845A1	1	SEAT ASSY., Leather, Inc. 4 - 7
3	358341A1	1	CUSHION, Seat Back, Cloth
4	359177A1	1	CUSHION, Seat Back, Leather
5	252928A2	1	BRACKET, Mounting, Seat Back
6	358330A1	1	TRAY, Storage
7	440-12510	3	SCREW, Cross Pan Hd, 1/4"-20 x 5/8",
8	281926A2	1	BELT, Seat
9	406682A1	2	FASTENER, Velcro
10	627-10025	3	BOLT, Hex, M10 x 25, 10.9, Full Thd,
11	825-2410	3	NUT, M10 x 1.5, Flg, Cl 8,
12	895-15006	2	WASHER, M6 x 25 x 1.6,
13	358340A1	1	CUSHION, Seat, Cloth
13	359176A1	1	CUSHION, Seat, Leather
14	426-412	3	BOLT, Hex, 1/4"-20 x 3/4", G8, Full Thd,
15	906051R1	2	SCREW, Hex Soc But Hd, M6 x 1 x 10, 12.9,
16	369635A2	1	HOLDER, Cup Holder
17	394828A1	1	PLATE, Tray Liner
18	302456A1	1	ASH TRAY, If Used
19	365946A1	1	KIT, Instructional Seat, Leather, Inc. 1, 2 & 4 - 17
20	334238A1	1	KIT, Instructional Seat, Cloth, Inc. 1 - 3, 5 - 13 & 14 - 17

09-25 SEAT - OPERATORS

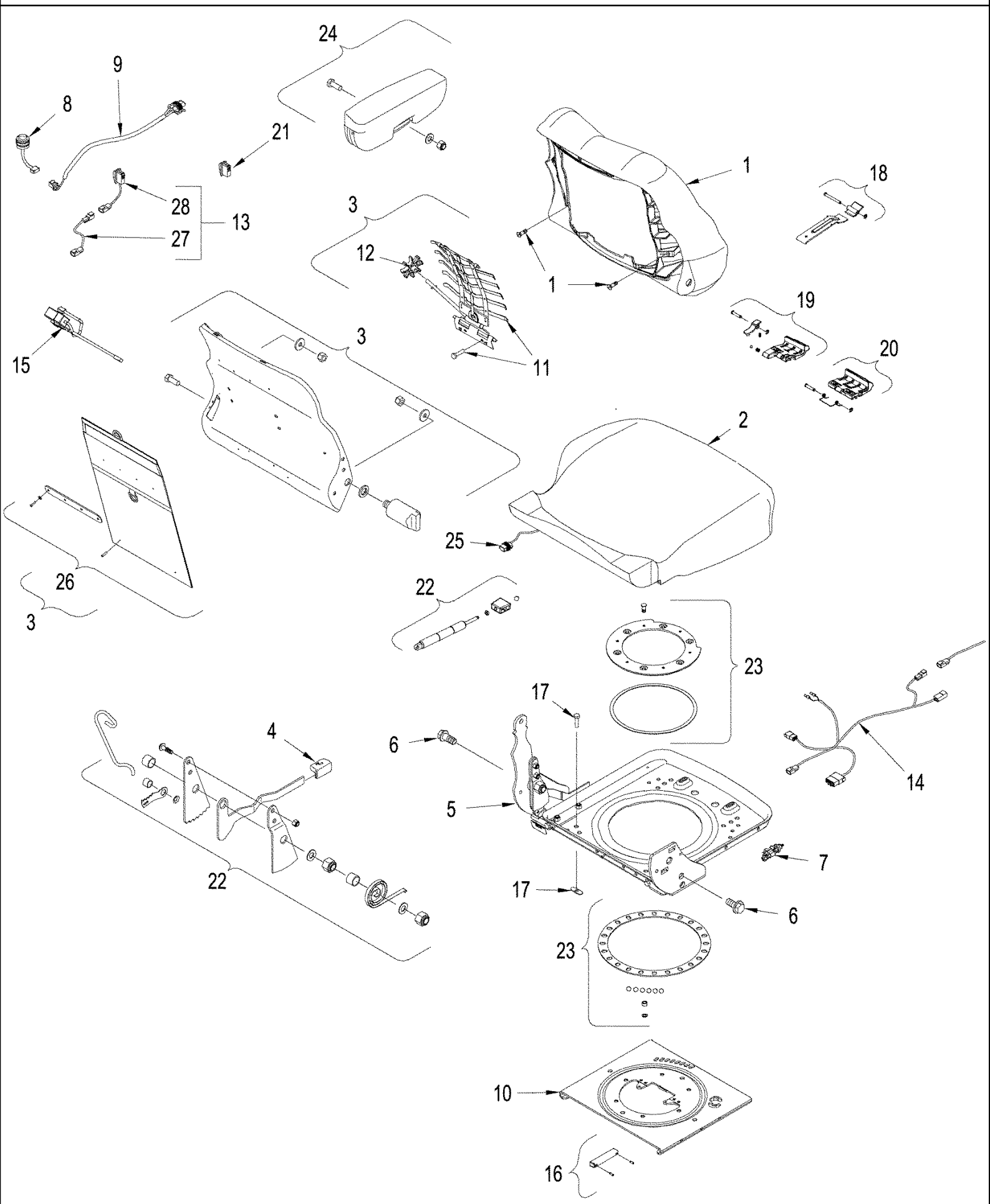


STX530 CASE IH 4WD TRACTOR (BTW Z6F100023 - Z6F105001)

09-25 SEAT - OPERATORS

сылка	Номер детали	Кол-во	Описание
1	87553808	1	SEAT ASSY., Cloth, without Heat, See Figure: 09-26
1	87553810	1	SEAT ASSY., Cloth, Heated, See Figure: 09-26
1	87553440	1	SEAT ASSY., Cloth, Heated, Semi-Active, See Figure: 09-26
1	87553442	1	SEAT ASSY., Leather, Heated, Semi-Active, See Figure: 09-26
2	87395380	1	SUSPENSION, See Figure: 09-27
2	87395381	1	SUSPENSION, Semi-Active, See Figure: 09-28
3	825-2408	4	NUT, M8 x 1.25, Flg, CI 8,
4	389277A1	2	BELT, Safety, Tether, Scraper Application
5	NSS	2	NOT SERVICED SEPARATELY, Spacer, Scraper Application
6	496-31041	2	WASHER, 13/32" x 13/16" x .134", HDN,
7	426-636	2	BOLT, Hex, 3/8"-16 x 2 1/4", G8,
8	231-4246	2	NUT, LOCK, 3/8"-16, GB,
9	87431487	1	KIT, FIP, Tether Belt, Scraper Application
10	829-1312	1	NUT, M12 x 1.75, CI 10,
11	896-11012	3	WASHER, M13.5 x 24.5 x 3, HT,
12	87313413	1	TUBE SPACER, Steel, .875" x .50"
13	806-12040	1	BOLT, Hex, Lock, M12 x 40, CI 10.9,
14	806-12030	1	BOLT, Hex, Lock, M12 x 30, CI 10.9,
15	444877A1	1	SEAT BELT,

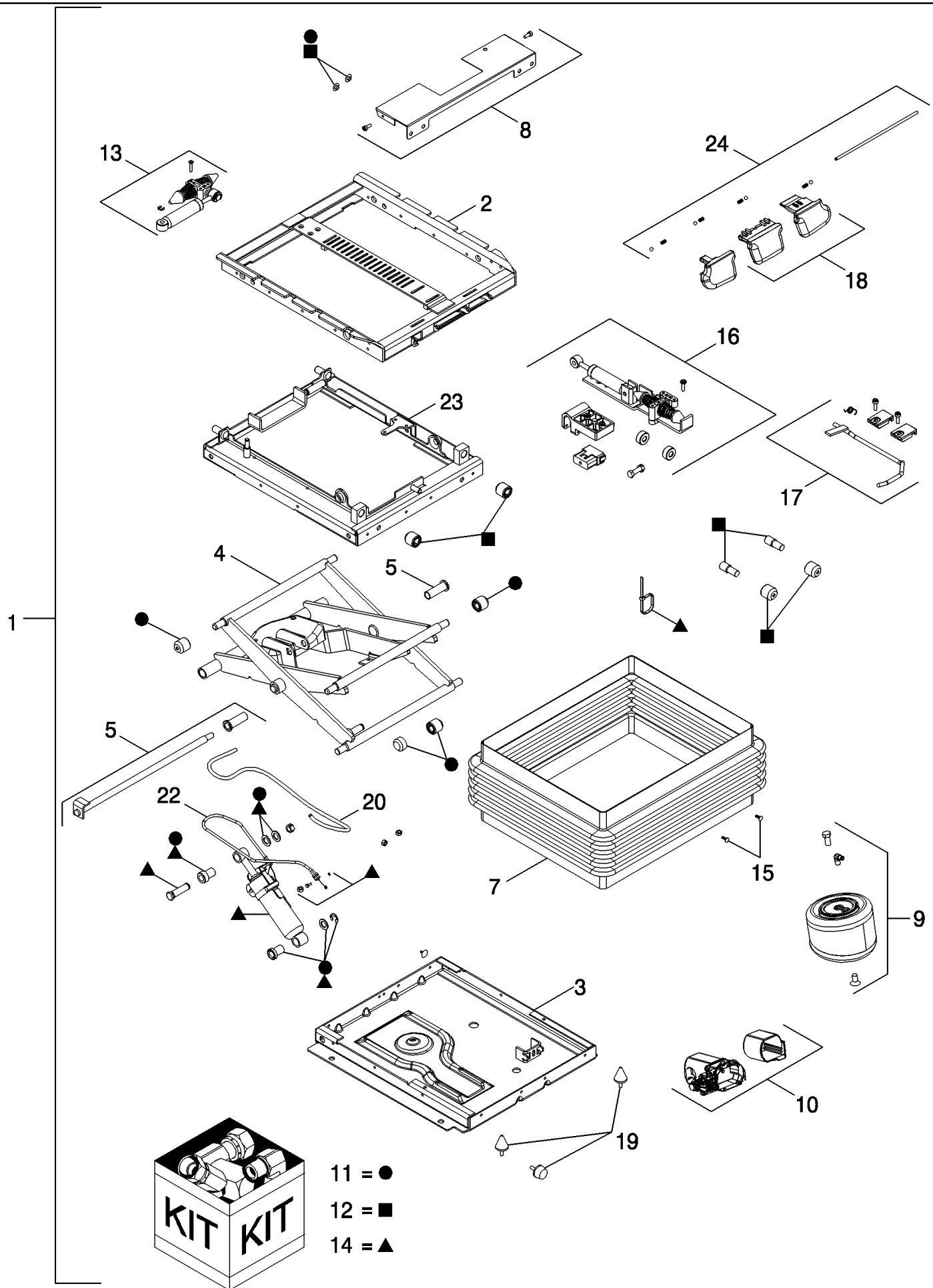
09-26 SEAT - CUSHION ASSEMBLY



09-26 SEAT - CUSHION ASSEMBLY

сылка	Номер детали	Кол-во	Описание
	87553808	1	SEAT ASSY., Cloth, without Heat, Inc. 1 - 7, 10
	87553810	1	SEAT ASSY., Cloth, Heated, Inc. 1 - 24
	87553440	1	SEAT ASSY., Cloth, Heated, Positive Response Suspension, Inc. 1 - 24
	87553442	1	SEAT ASSY., Leather, Heated, Inc. 1 - 24
1	373476A1	1	CUSHION, Backrest, Cloth, without Heat
1	87395385	1	CUSHION, Backrest, Cloth, Heated
1	87607884	1	SEAT ACCESSORY, Backrest, Cloth, Heated, 3 Positions with Ride Control
1	87397614	1	CUSHION, SEAT, Leather
2	87347893	1	CUSHION, SEAT, Cloth, without Heat
2	87395384	1	CUSHION, SEAT, Cloth, Heated
2	87397613	1	CUSHION, Leather, Heated
3	86994155	1	ASSEMBLY, Seat Back, with Lumber & Pouch
4	87416475	1	KNOB, Recline Control
5	87590287	1	SUPPORT, Lower, Pan, Seat
6	830-1110	1	NUT, Weld, M10,
7	87300397	1	SWITCH, Seat, Air Control
8	87395388	1	SWITCH, Heater, 3 Position, Round Rocker
9	87395390	1	HARNESS, Heater, Center Section
10	87347956	1	KIT, SERVICE, Lower Swivel
11	87308130	1	SEAT BACK ADJUST. DEVICE, Lumbar, Inc. 12
12	87037462	1	SEAT BACK ADJUST. DEVICE, Lumbar Knob
13	87347958	1	KIT, SERVICE, Operators Ride Control, Positive Response Seat, Inc. 27 & 28
14	87347944	1	KIT, SERVICE, Harness, Suspension
15	87395389	1	CONTROL, Heater, Resistor
16	302016A1	1	PACKAGE, SERVICE, Slide Pucks
17	561-707	1	SCREW, Hex Soc, Shoulder, M10 12 X 30mm, CI12.9,
18	87347934	1	LATCH, Seat Slide
19	87347942	1	KIT, SERVICE, Swivel Control
20	87347941	1	KIT, SERVICE, Fore / Aft Slide Control
21	87347940	1	KIT, SERVICE, Height Control
22	86994165	1	SEAT ACCESSORY, Recliner Control
23	87347936	1	KIT, SERVICE, Swivel
24	87347939	1	KIT, SERVICE, Armrest, Left-Hand, Cloth, without Heat
24	87397615	1	ARMREST, Left-Hand, Cloth, Heated
24	87620258	1	ARMREST, Left-Hand, Leather, Heated (3 Holes without Switches)
25	86400227	1	SWITCH, ASSY, Plunger SPST
26	86994172	1	KIT, SERVICE, Manual Holder
27	87626130	1	HARNESS, Operator Ride Control
28	87611650	1	SWITCH, Operator Ride Control

09-27 SUSPENSION ASSEMBLY - SEAT

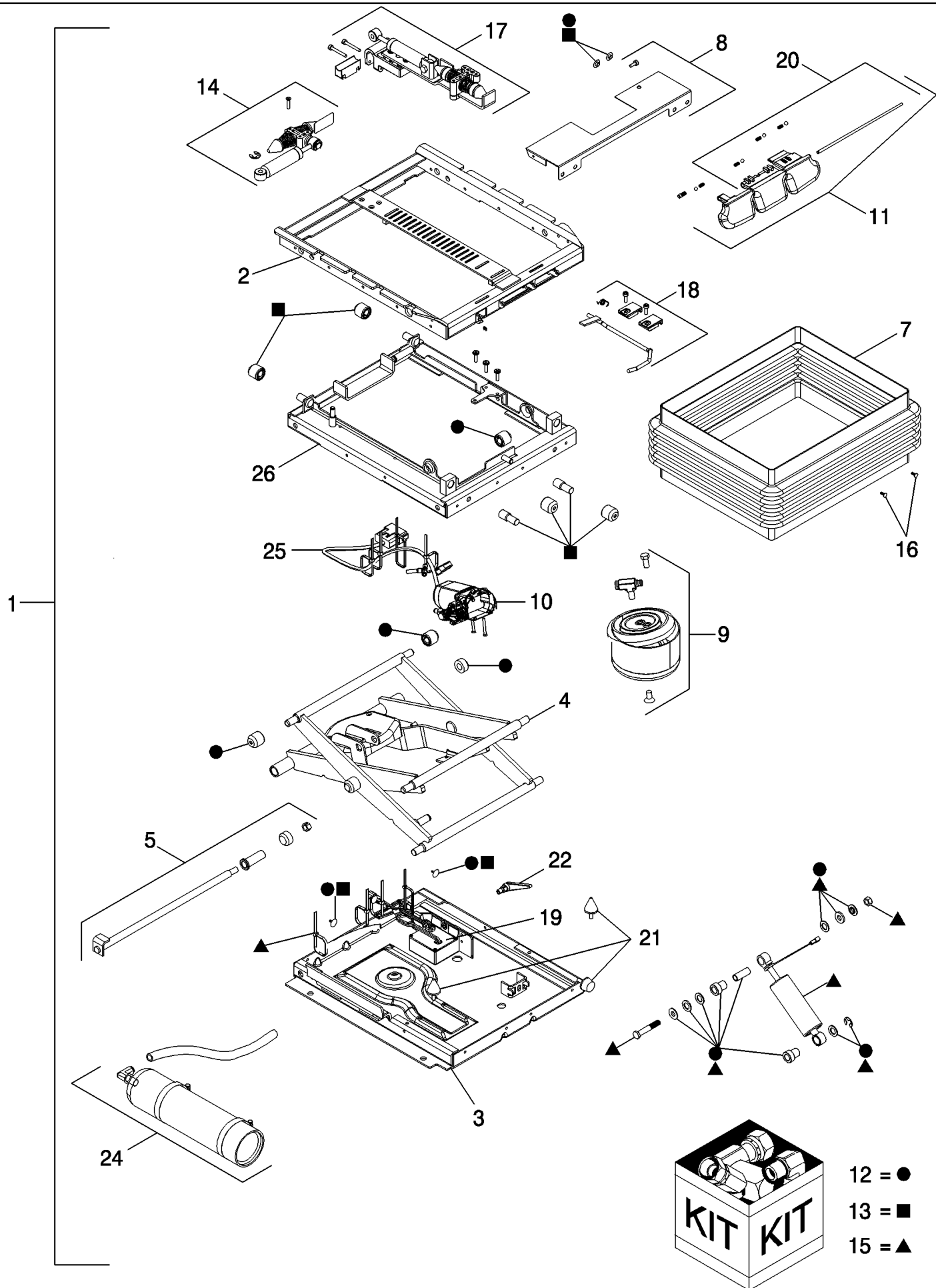


STX530 CASE IH 4WD TRACTOR (BTW Z6F100023 - Z6F105001)

09-27 SUSPENSION ASSEMBLY - SEAT

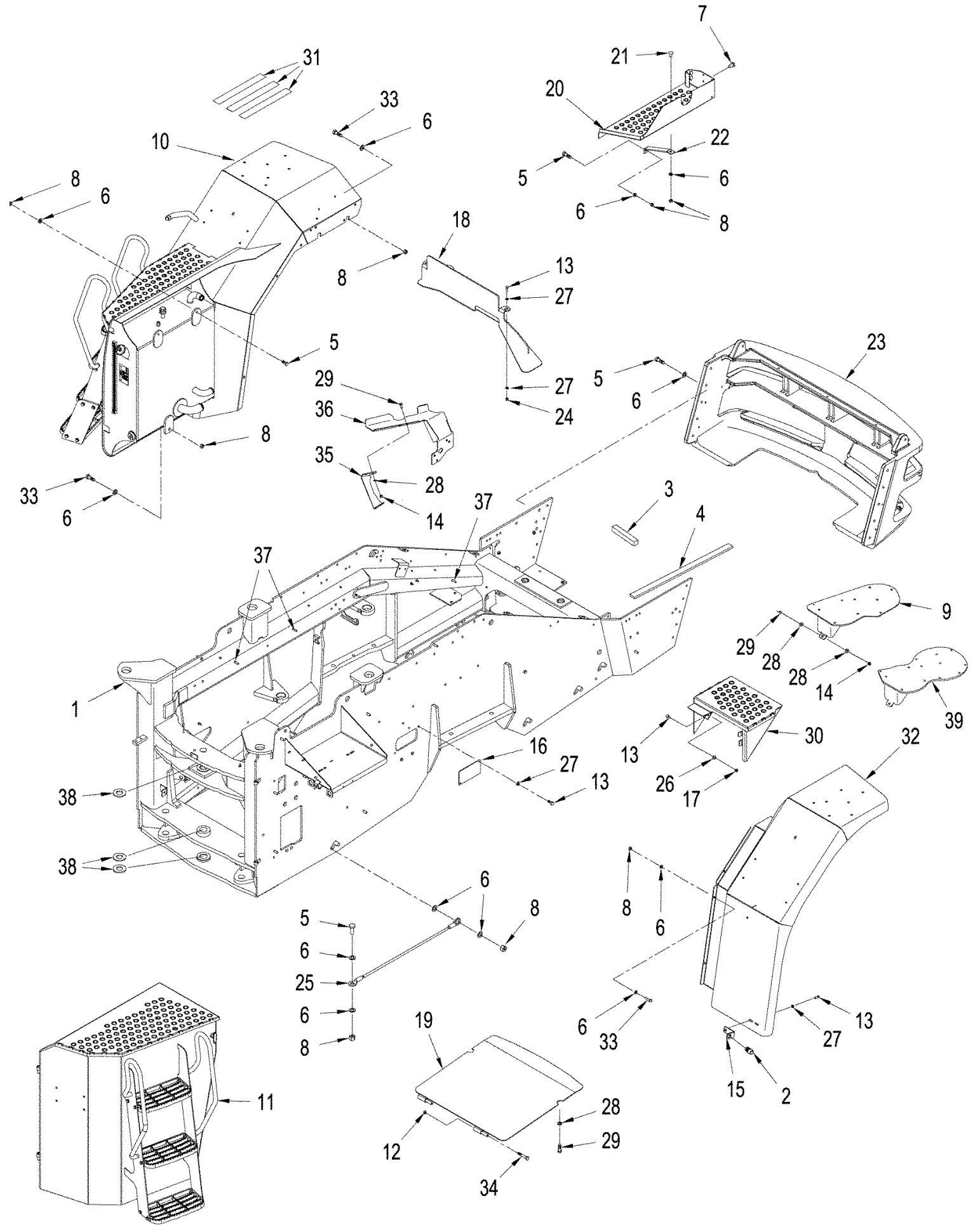
сылка	Номер детали	Кол-во	Описание
1	87395380	1	SUSPENSION, Inc. 2 - 24
2	87395392	1	HOUSING, Upper
3	333275A1	1	HOUSING, Lower
4	333276A1	1	ARM, Scissor
5	302033A1	1	SHAFT, Bearing
6	87347944	1	KIT, SERVICE, Harness, Seat Suspension, Not Shown, See Figure: 09-26
7	87347943	1	KIT, SERVICE, Suspension Boot
8	302029A2	1	PLATE, Cover, Upper Housing
9	333279A2	1	KIT, Air Spring
10	87347951	1	KIT, SERVICE, Air Compressor
11	87347945	1	KIT, SERVICE, Suspension Bearing and Rollers
12	87347946	1	KIT, SERVICE, Isolator Rollers
13	87395394	1	ISOLATOR, Lateral Isolator Shock Absorber
14	447956A1	1	PACKAGE,SERVICE, Suspension Shock Absorber
15	333659A1	1	PACKAGE,SERVICE, Boot Pin
16	87395395	1	ISOLATOR, Fore and Aft Shock Absorber
17	373470A2	1	PACKAGE,SERVICE, Fore and Aft Isolator Control
18	373473A1	1	PACKAGE,SERVICE, Lateral Isolator Control
19	333295A1	1	PACKAGE,SERVICE, Suspension Bumper
20	87396231	1	TUBE, PLASTIC-RUBBER, Tube and Fitting
21	333296A1	1	PACKAGE,SERVICE, Fore and Aft Isolator Shock Block, Not Shown
22	87347955	1	CABLE, Suspension Shock Cable
23	87395393	1	HOUSING, Upper Lateral ISO
24	373469A1	1	PACKAGE,SERVICE, Knobs, Suspension

09-28 POSITIVE RESPONSE SUSPENSION ASSEMBLY - SEAT



09-28 POSITIVE RESPONSE SUSPENSION ASSEMBLY - SEAT

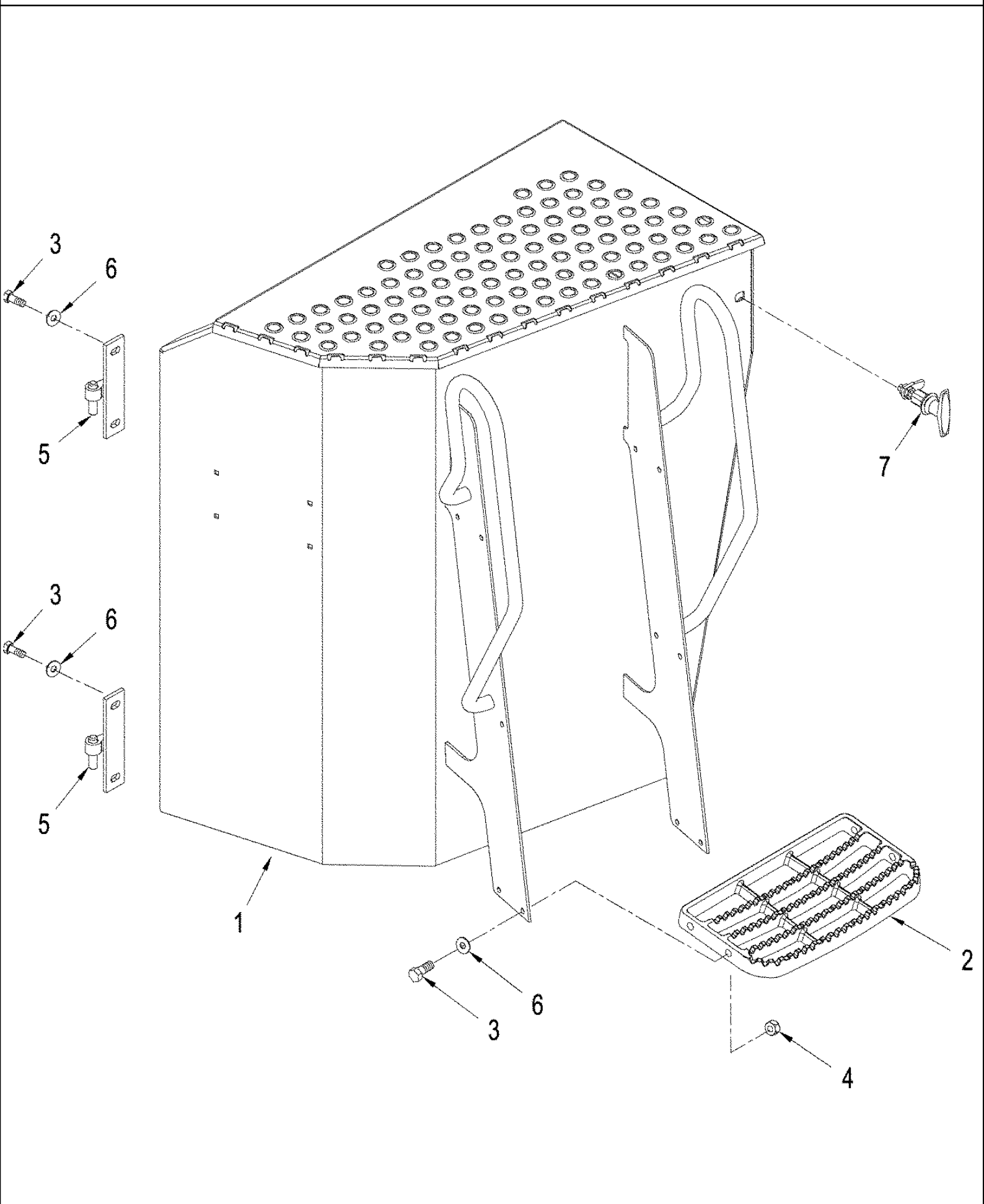
сылка	Номер детали	Кол-во	Описание
1	87395381	1	SUSPENSION, Inc. 2 - 26
2	87395392	1	HOUSING, Upper, Lateral Isolator
3	86994256	1	HOUSING, Lower
4	86994258	1	ARM, Scissor
5	302033A1	1	SHAFT, Bearing
6	87347944	1	KIT, SERVICE, Harness, Seat Suspension, Not Shown, See Figure: 09-26
7	87347943	1	KIT, SERVICE, Suspension Boot
8	302029A2	1	PLATE, Cover, Upper Housing
9	333279A2	1	KIT, Air Spring
10	87347951	1	KIT, SERVICE, Compressor
11	87407047	1	KIT, SERVICE, Knobs
12	87347945	1	KIT, SERVICE, Suspension Bearing and Rollers
13	87347946	1	KIT, SERVICE, Isolator Rollers
14	87395394	1	ISOLATOR, Lateral Isolator Shock Absorber
15	86994260	1	KIT, SERVICE, Shock
16	333659A1	1	PACKAGE,SERVICE, Boot Pin
17	87395395	1	ISOLATOR, Fore and Aft Shock Absorber
18	373470A2	1	PACKAGE,SERVICE, Fore and Aft Isolator Control
19	87395396	1	DAMPER, Control Kit
20	373473A1	1	PACKAGE,SERVICE, Lateral Isolator Control
21	333295A1	1	PACKAGE,SERVICE, Suspension Bumper
22	86994267	1	LEVER, Suspension Shock Cable
23	333296A1	1	PACKAGE,SERVICE, Fore and Aft Isolator Shock Block (Not Shown)
24	87347960	1	KIT, SERVICE, Air Tank
25	87396231	1	TUBE, PLASTIC-RUBBER, Air Tank Hose
26	87395393	1	HOUSING, Upper, Lateral Isolator



STX530 CASE IH 4WD TRACTOR (BTW Z6F100023 - Z6F105001)

09-30 FRONT FRAME, WHEEL TRACTOR, STX & STEIGER 480 / 530

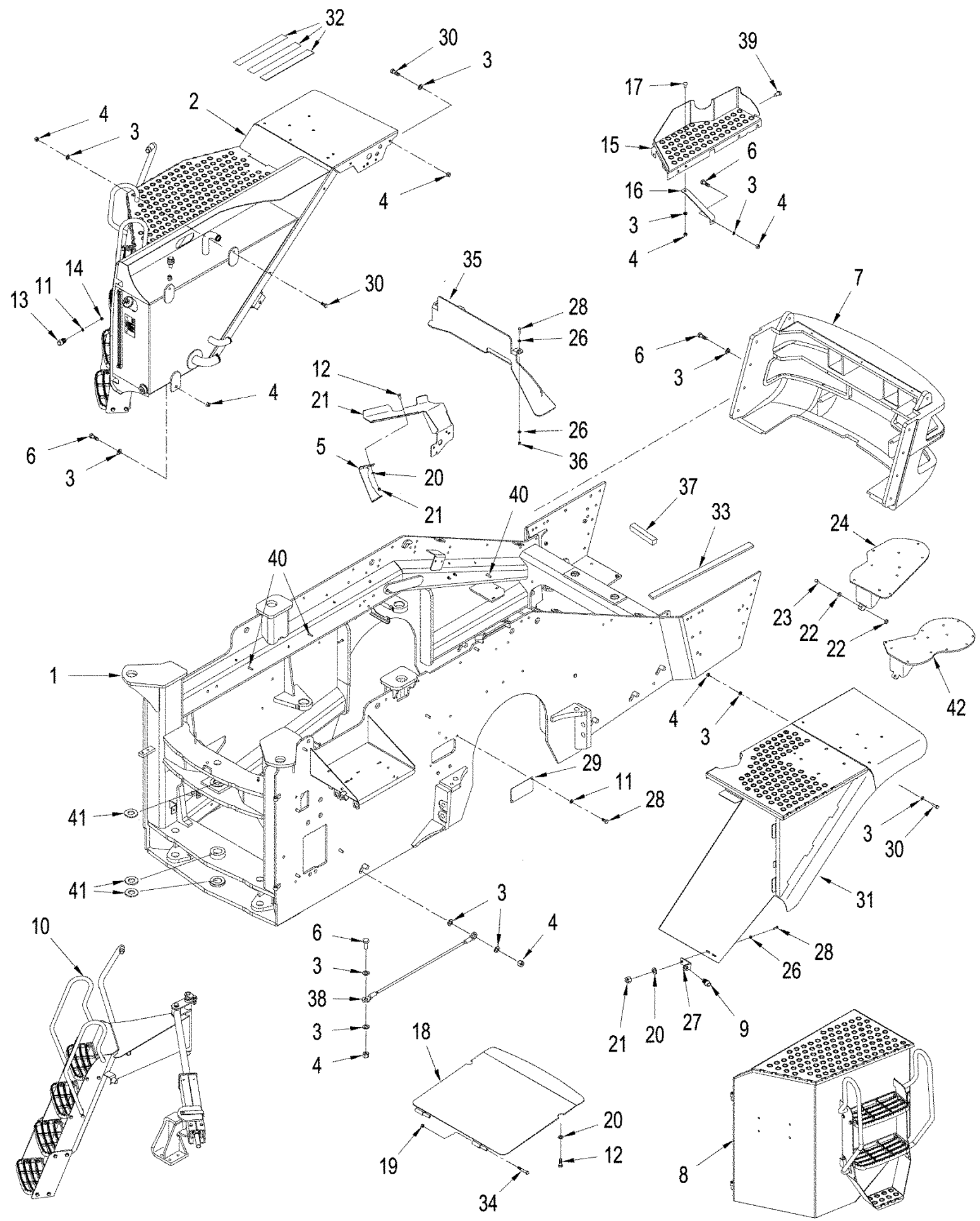
сылка	Номер детали	Кол-во	Описание
1	446589A1	1	FRAME ASSY, Front Frame
2	363226A1	2	BUMPER, Rubber
3	87436579	2	SEAL,
4	328197A1	3	SEAL,
5	627-12040	11	BOLT, Hex, M12 x 40, 10.9, Full Thd,
6	896-11012	54	WASHER, M13.5 x 24.5 x 3, HT,
7	384163A1	1	PLASTIC PLUG,
8	829-1412	25	NUT, M12, CI 10,
9	87439466	1	SUPPORT ASSY., Air Intake/ Muffler, Used with 10" Muffler
10	NSS	1	NOT SERVICED SEPARATELY, Tank Assy, Hydraulic, See Figure: 08-18
11	NSS	1	NOT SERVICED SEPARATELY, Door Assy, Right-Hand, See Figure: 09-31
12	832-10412	1	NUT, LOCK, M12 x 1.75, CI 8,
13	627-8025	6	BOLT, Hex, M8 x 25, 10.9,
14	829-1410	5	NUT, M10, CI 10,
15	443357A1	1	BRACKET, Door Stop
16	87443717	1	COVER, Access
17	829-1408	4	NUT, M8, CI 10,
18	87346410	1	SHIELD, Trash
19	87309871	1	COVER, DOOR,
20	87522126	1	STEP, Front Frame
21	811-12025	1	BOLT, CARRIAGE, Short NK, M12 x 25, CI8.8, Full Thd,
22	87522173	1	GUSSET,
23	87425350	1	BUMPER, Front Frame, See Figure: 09-38
24	832-10408	2	NUT, LOCK, M8 x 1.25, CI 8,
25	87372424	1	RETAINER, CABLE,
26	895-11008	15	WASHER, M8 x 16 x 1.6,
27	896-11008	8	WASHER, M8 x 17.5 x 2, HT,
28	895-11010	18	WASHER, M10 x 20 x 2,
29	627-10025	9	BOLT, Hex, M10 x 25, 10.9, Full Thd,
30	87316540	1	STEP, With Fender
31	1-6835	3	ADHESIVE STRIP, 2" x 9", Anti-Skid
32	87318289	1	FRONT FENDERS 4WD, Right-Hand, Used with 10" Muffler
32	87618135	1	4WD FRONT FENDERS, Right-Hand, Used with 12" Muffler
33	627-12045	17	BOLT, Hex, M12 x 45, 10.9, Full Thd,
34	827-12120	1	BOLT, Hex, M12 x 120, 10.9,
35	87528745	1	SUPPORT, Debris Sheild
36	87524659	1	SHIELD, Debris, Used with 10" Muffler
36	87629133	1	SHIELD, Debris, Used with 12" Muffler
37	426285A1	45	STUD, Threaded
38	87591684	3	WASHER, Front Frame Articulation
39	87618178	1	SUPPORT, Muffler Mounting, Used with 12" Muffler



STX530 CASE IH 4WD TRACTOR (BTW Z6F100023 - Z6F105001)

09-31 BATTERY DOOR ASSEMBLY, WHEEL TRACTOR

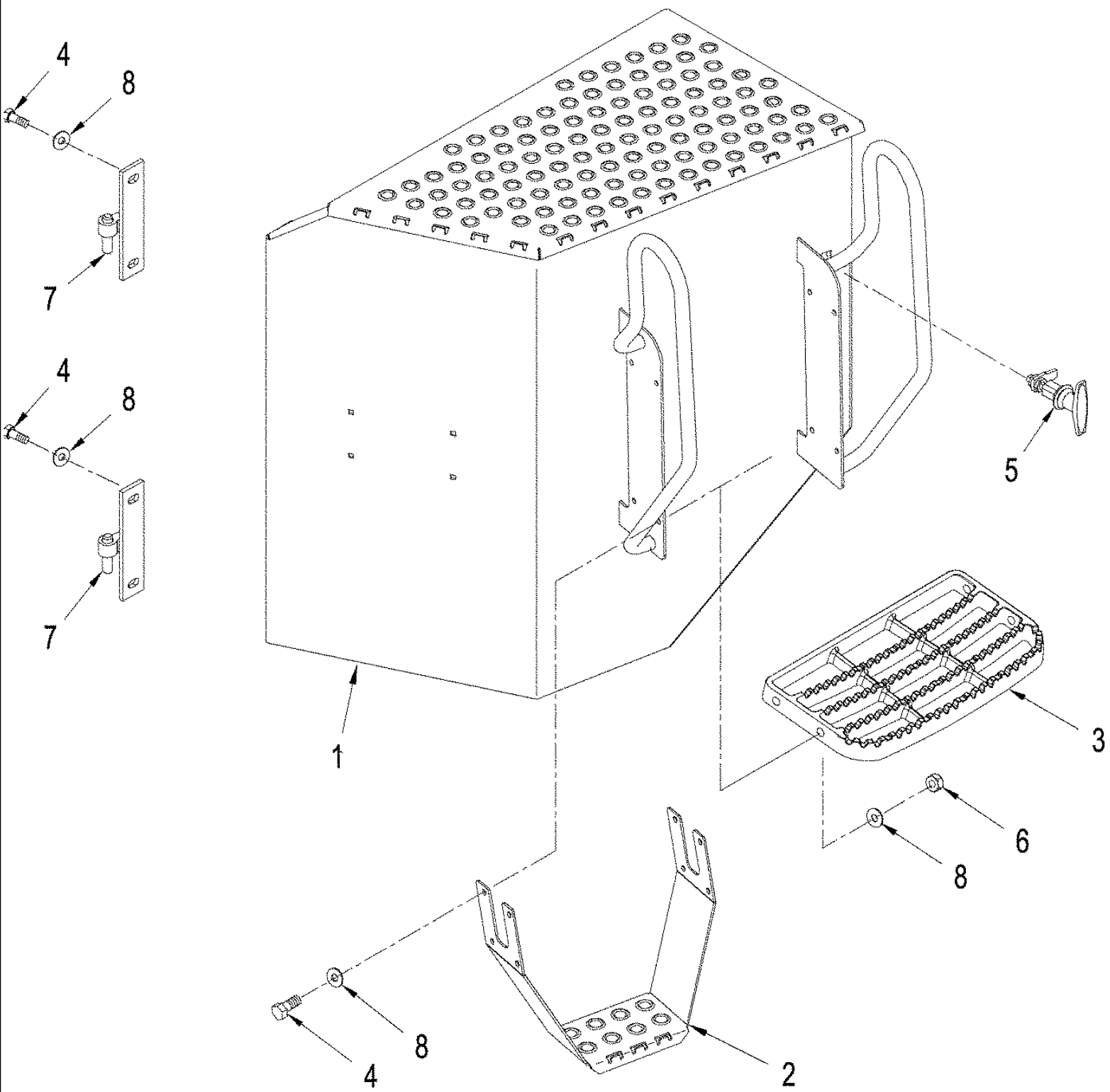
сылка	Номер детали	Кол-во	Описание
1	87361589	1	COVER, DOOR, Battery
2	87301185	3	STEP, Battery Door
3	627-10035	16	BOLT, Hex, M10 x 35, 10.9, Full Thd,
4	832-10410	12	NUT, LOCK, M10 x 1.5, Cl 8,
5	87582012	2	PLATE, Plate
6	895-11010	16	WASHER, M10 x 20 x 2,
7	87340774	1	LATCH, Battery Door



STX530 CASE IH 4WD TRACTOR (BTW Z6F100023 - Z6F105001)

09-33 FRONT FRAME, QUADTRAC TRACTOR, STX & STEIGER 480 / 530

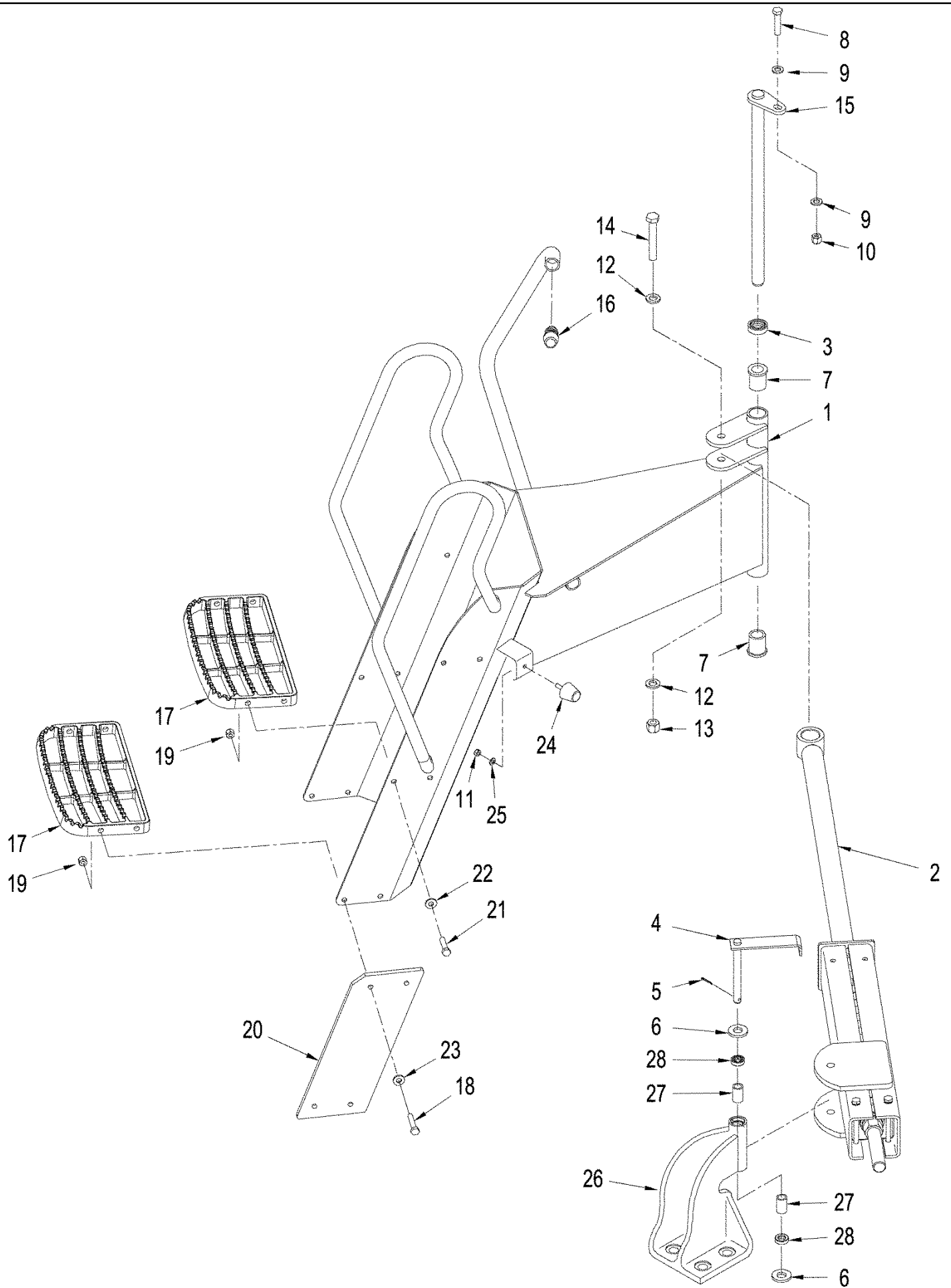
сылка	Номер детали	Кол-во	Описание
1	446539A1	1	FRAME ASSY, Front
2	NSS	1	NOT SERVICED SEPARATELY, Tank Assy, See Figure: 08-19
3	896-11012	55	WASHER, M13.5 x 24.5 x 3, HT,
4	829-1412	25	NUT, M12, CI 10,
5	87528744	1	SUPPORT, Debris Sheild
6	627-12040	18	BOLT, Hex, M12 x 40, 10.9, Full Thd,
7	REF	1	INSTRUCTION, Bumper, See Figure: 09-38
8	REF	1	INSTRUCTION, Door Assy, Battery, See Figure: 09-35
9	363226A1	1	BUMPER, Rubber
10	336017A1	1	STEP, Pivot, Left-Hand, See Figure: 09-35
11	895-11008	10	WASHER, M8 x 16 x 1.6,
12	627-10025	3	BOLT, Hex, M10 x 25, 10.9, Full Thd,
13	N7673	1	EMBLEM,
14	425-105	1	NUT, 5/16"-18, G5,
15	87522126	1	STEP, Frame
16	87522173	1	GUSSET, Step
17	811-12025	1	BOLT, CARRIAGE, Short NK, M12 x 25, CI8.8, Full Thd,
18	87309871	1	COVER, DOOR, Access
19	832-10412	3	NUT, LOCK, M12 x 1.75, CI 8,
20	895-11010	5	WASHER, M10 x 20 x 2,
21	87524659	1	SHIELD, Debris, Used with 10" Muffler
21	87629133	1	SHIELD, Debris, Used with 12" Muffler
22	140219	2	WASHER,
23	627-10030	1	BOLT, Hex, M10 x 30, 10.9, Full Thd,
24	87442097	1	PLATE, MOUNTING, Muffler, Used with 10" Muffler
25	829-1408	4	NUT, M8, CI 10,
26	896-11008	2	WASHER, M8 x 17.5 x 2, HT,
27	86992264	1	BRACKET, Door Stop
28	627-8025	4	BOLT, Hex, M8 x 25, 10.9,
29	87443717	1	COVER, Access
30	627-12045	18	BOLT, Hex, M12 x 45, 10.9, Full Thd,
31	87360518	1	FENDER, REAR, Right-Hand, Used with 10" Muffler
31	87618134	1	4WD FRONT FENDERS, Right-Hand, Used with 12" Muffler
32	1-6835	4	ADHESIVE STRIP, 406 mm (16 in), Anti-Skid
33	328197A1	3	SEAL,
34	827-12120	1	BOLT, Hex, M12 x 120, 10.9,
35	87346410	1	SHIELD, Trash
36	832-10408	2	NUT, LOCK, M8 x 1.25, CI 8,
37	396412A1	2	STRIP, RUBBER,
38	87372424	1	RETAINER, CABLE,
39	384163A1	1	PLASTIC PLUG, Not Illustrated
40	426285A1	45	STUD, Threaded
41	87591684	3	WASHER, Front Frame Articulation Hinge
42	87618507	1	PLATE, Muffler Mounting, Used with 12" Muffler



STX530 CASE IH 4WD TRACTOR (BTW Z6F100023 - Z6F105001)

09-34 BATTERY DOOR ASSEMBLY, QUADTRAC TRACTOR

сылка	Номер детали	Кол-во	Описание
1	87359292	1	COVER, DOOR, Battery
2	360065A1	1	STEP, Battery Door
3	87301185	2	STEP, Lower
4	627-10035	12	BOLT, Hex, M10 x 35, 10.9, Full Thd,
5	87340774	1	LATCH, Battery Door
6	832-10410	8	NUT, LOCK, M10 x 1.5, Cl 8,
7	87582012	1	PLATE, Hinge
8	895-11010	12	WASHER, M10 x 20 x 2,

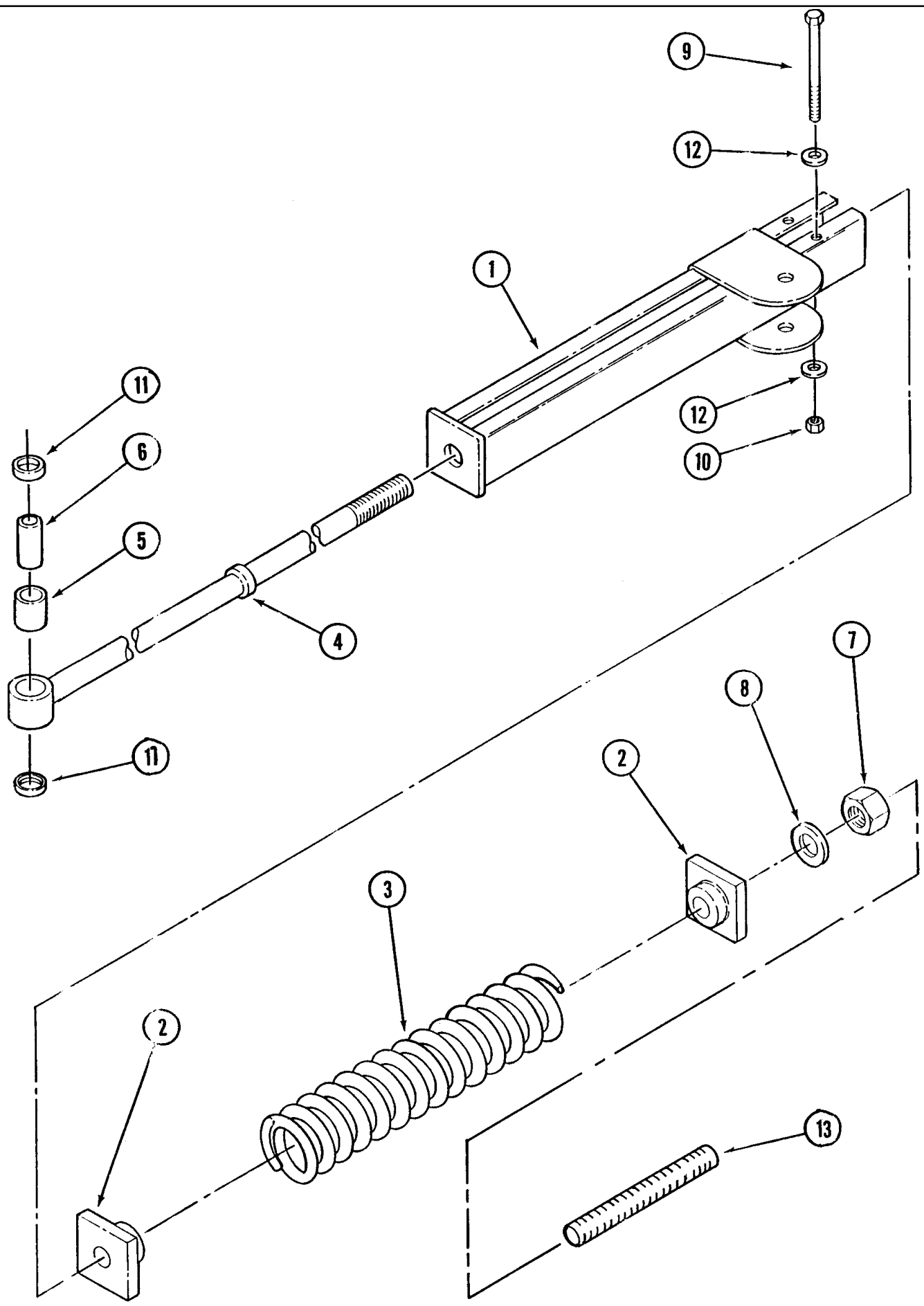


STX530 CASE IH 4WD TRACTOR (BTW Z6F100023 - Z6F105001)

09-35 STEPS, QUADTRAC TRACTOR

сылка	Номер детали	Кол-во	Описание
	336017A1	1	STEP, Left-Hand, Inc. 1 - 26
1	430792A1	1	STEP, LH Side
2	NSS	1	NOT SERVICED SEPARATELY, Arm Assy, Push, Left-Hand, See Figure: 09-36
3	D22200	1	BEARING, Self-Aligning, 1"
4	337099A4	1	PIN,
5	733-3232	1	PIN, SPLIT (COTTER), M3.2 x 32,
6	896-16018	2	WASHER, M18 x 41.5 x 5, HT,
7	308473A2	2	BUSHING, 1" x 1-3/8" x 1-3/4"
8	828-12055	1	BOLT, Hex, M12 x 55, 10.9,
9	896-11012	2	WASHER, M13.5 x 24.5 x 3, HT,
10	832-10412	1	NUT, LOCK, M12 x 1.75, Cl 8,
11	425-105	1	NUT, 5/16"-18, G5,
12	892-11016	2	WASHER, LOCK, M16,
13	832-10416	1	NUT, LOCK, M16 x 2, Cl 8,
14	827-16100	1	BOLT, Hex, M16 x 100, 10.9,
15	382840A2	1	PIN,
16	363226A1	1	BUMPER, Rubber
17	87301185	4	STEP, LH Side
18	827-10045	8	BOLT, Hex, M10 x 45, 10.9,
19	832-10410	16	NUT, LOCK, M10 x 1.5, Cl 8,
20	376530A1	2	SUPPORT, Bracket, Lower Step
21	627-10035	8	BOLT, Hex, M10 x 35, 10.9, Full Thd,
22	895-11010	8	WASHER, M10 x 20 x 2,
23	896-15010	8	WASHER, M10 x 24.5 x 3, HT,
24	N7673	1	EMBLEM,
26	87304082	1	CLEVIS COUPLING, Inc. 27 - 28
27	336842A1	2	WIPER, Rod
28	336843A1	2	BUSHING, Bronze
25	895-11008	1	WASHER, M8 x 16 x 1.6,

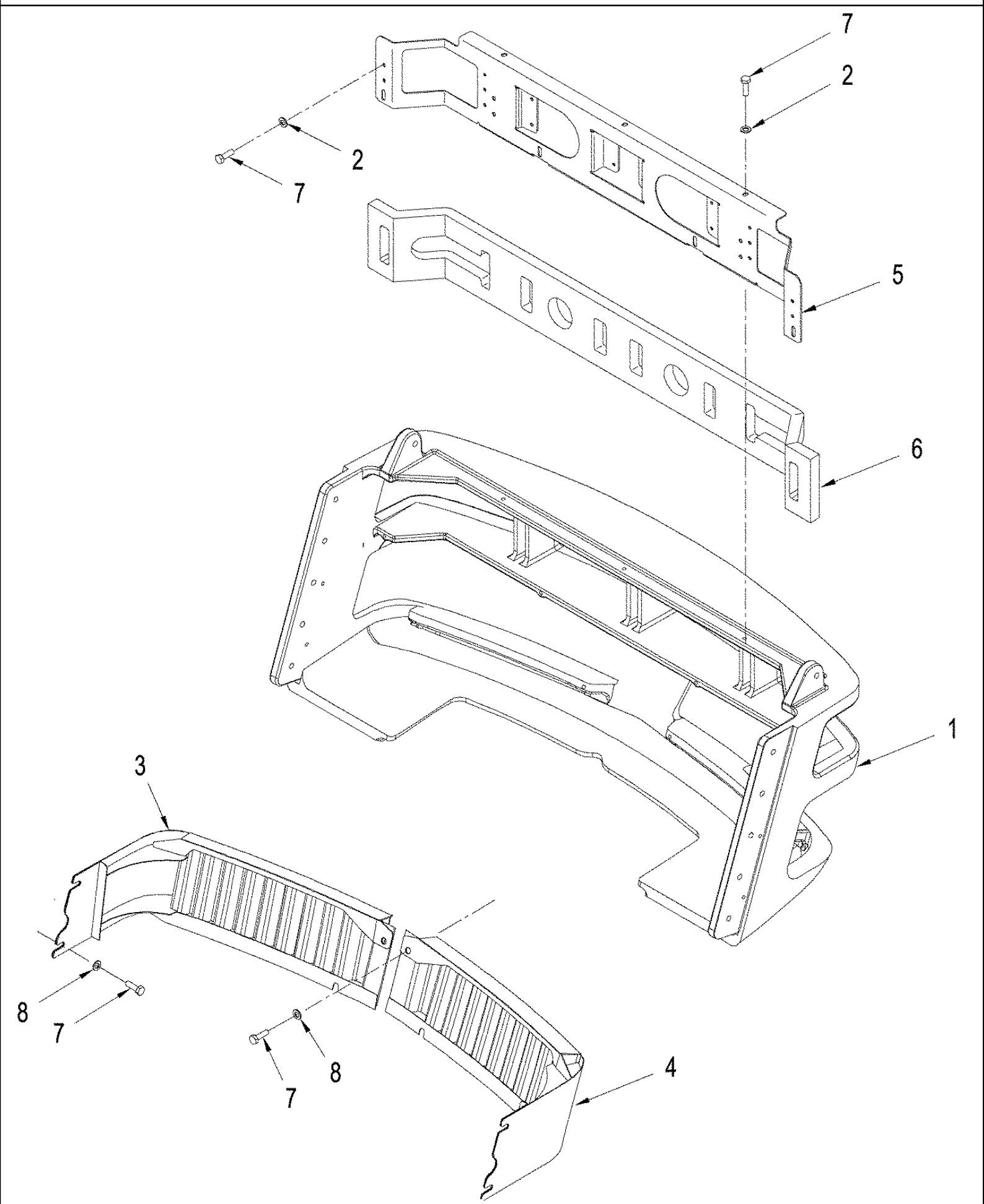
09-36 PUSH ARM ASSEMBLY



STX530 CASE IH 4WD TRACTOR (BTW Z6F100023 - Z6F105001)

09-36 PUSH ARM ASSEMBLY

сылка	Номер детали	Кол-во	Описание
1	334215A2	1	ARM, Push
2	334239A3	2	SLIDE, Spring
3	334717A2	1	SPRING,
4	334720A5	1	ROD ASSY.,
5	334721A1	1	BUSHING,
6	360207A2	1	BUSHING,
7	832-10424	1	NUT, LOCK, M24 x 3, CI 8,
8	896-11024	1	WASHER, M24 x 44.5 x 5, HT,
9	827-10130	2	BOLT, Hex, M10 x 130, 10.9,
10	832-10410	2	NUT, LOCK, M10 x 1.5, CI 8,
11	G33955	2	WIPER,
12	895-18010	4	WASHER, M10 x 18 x 1.6,
13	406328A1	1	CAP, Threaded

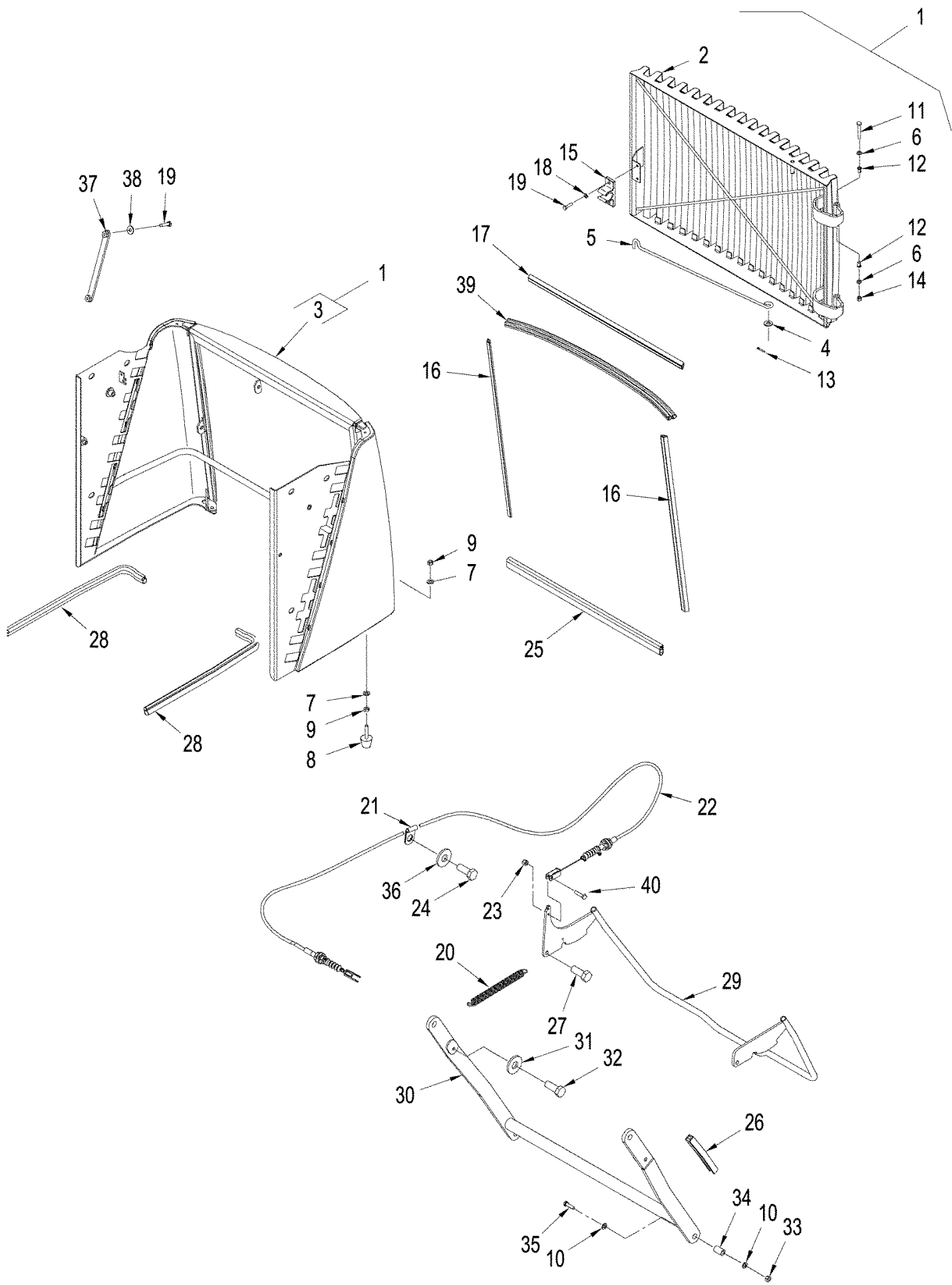


STX530 CASE IH 4WD TRACTOR (BTW Z6F100023 - Z6F105001)

09-38 BUMPER, STX & STEIGER 480 / 530

сылка	Номер детали	Кол-во	Описание
1	87425350	1	BUMPER, Front Frame
2	895-11008	7	WASHER, M8 x 16 x 1.6,
3	87425347	1	GRILLE, Bumper, Lower LH
4	87425346	1	GRILLE, Bumper, Lower H
5	87425344	1	BRACKET, Mounting, Headlamp
6	87436023	1	SEAL, Foam, Headlamp
7	627-8025	7	BOLT, Hex, M8 x 25, 10.9,
8	895-15008	8	WASHER, M8 x 20 x 1.6,

09-39 GRILLE



STX530 CASE IH 4WD TRACTOR (BTW Z6F100023 - Z6F105001)

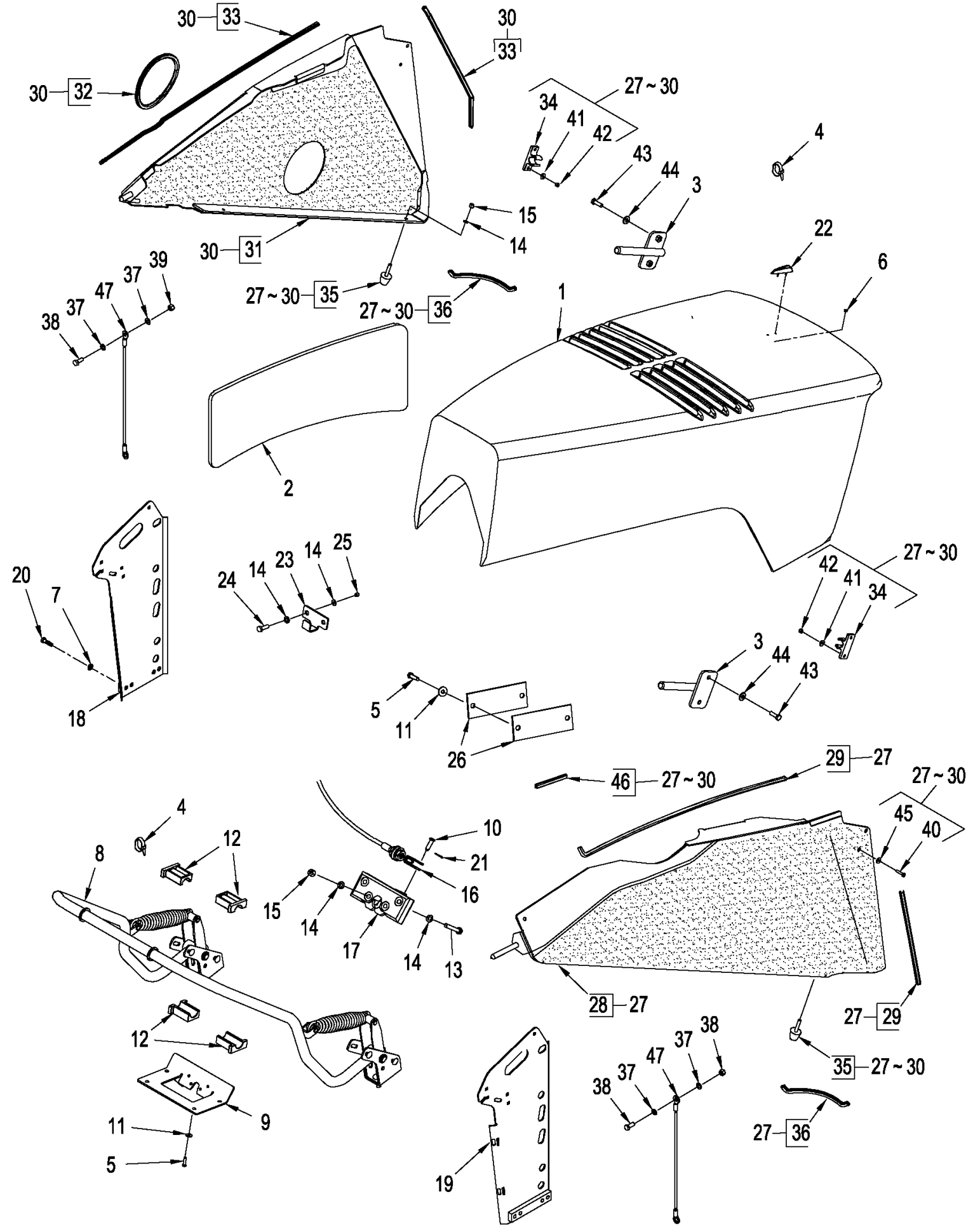
09-39 GRILLE

сылка	Номер детали	Кол-во	Описание
1	87564137	1	GRILLE, Inc. 2, 3 - 6, 11 - 19, STX480 / 530, STEIGER 480 / 530
2	87314927	1	GRILLE, , STEIGER 380 / 430, STX380 / 430, BSN Z6F105001
2	87564143	1	GRILLE, , STX380 / 430, STEIGER 380 / 430, ASN Z6F105001
2	86988007	1	GRILLE ASSY, , STX480 / 530, STEIGER 480 / 530, BSN Z6F105001
2	87564138	1	GRILLE, , STEIGER 480 / 530, STX480 / 530, ASN Z6F105001
3	87436550	1	GRILLE ASSY, Grille, STEIGER 380 / 430, STX380 / 430
3	86988133	1	GRILLE ASSY, Grille, STX480 / 530, STEIGER 480 / 530
4	895-15012	1	WASHER, M12 x 28 x 2.5,
5	87314942	1	ROD, Grille Prop
6	529761R1	4	BUSHING,
7	896-11010	4	WASHER, M10 x 21.5 x 2.5, HT,
8	86993082	2	SHOCK ABSORBER, Bumper, Rubber
9	829-1410	2	NUT, M10, CI 10,
10	896-11012	4	WASHER, M13.5 x 24.5 x 3, HT,
11	827-8060	2	BOLT, Hex, M8 x 60, 10.9,
12	895-11008	4	WASHER, M8 x 16 x 1.6,
13	733-4020	1	PIN, SPLIT (COTTER), M4 x 20,
14	832-10408	2	NUT, LOCK, M8 x 1.25, CI 8,
15	87312706	1	CLIP,
16	352770A1	2	SEAL, Cut From 353729A1
17	352768A1	1	SEAL, Upper Frame, STX380 / 430, STEIGER 380 / 430
17	86989968	1	SEAL, Upper Frame, STX480 / 530, STEIGER 480 / 530
18	895-11005	2	WASHER, M5 x 10 x 1,
19	614-5020	2	BOLT, Hex, M5 x 20, 8.8, Full Thd,
20	L106237	1	SPRING,
21	515-2563	1	CLAMP, 1/4", Insul, 1/2" Bolt, 1/4 ID
22	443297A1	1	CABLE PULLING GRIP,
23	832-10406	1	NUT, LOCK, M6 x 1, CI 8,
24	627-12030	6	BOLT, Hex, M12 x 30, 10.9,
25	369742A1	1	SEAL, , STEIGER 380 / 430, STX380 / 430
25	86991912	1	SEAL, , STX480 / 530, STEIGER 480 / 530
26	388554A1	2	GROMMET, 127 mm (5 in), Cut From : 443080A1
27	357893A1	2	SCREW,
28	412557A1	2	SEAL, RUBBER,
29	325525A3	1	ARM, Safety, STX380 / 430, STEIGER 380 / 430, BSN Z7F105709
29	87577001	1	LEVER, Safety, STEIGER 380 / 430, STX380 / 430
29	86990490	1	ARM ASSY., Safety, STX480 / 530, STEIGER 480 / 530, BSN Z7F105942
29	87577002	1	LEVER, Safety, STEIGER 480 / 530, STX480 / 530
30	315197A4	1	ARM ASSY., , STX380 / 430, STEIGER 380 / 430
30	86990477	1	ARM ASSY., , STX480 / 530, STEIGER 480 / 530
31	896-15010	2	WASHER, M10 x 24.5 x 3, HT,
32	627-10020	2	BOLT, Hex, M10 x 20, 10.9, Full Thd,
33	829-1412	2	NUT, M12, CI 10,
34	316937A1	2	SPACER,
35	827-12060	2	BOLT, Hex, M12 x 60, 10.9,

STX530 CASE IH 4WD TRACTOR (BTW Z6F100023 - Z6F105001)

09-39 GRILLE

сылка	Номер детали	Кол-во	Описание
36	S95569	6	WASHER,
37	356813A2	4	BRACKET, SUPPORTING, Nut Strip
38	895-25006	8	WASHER, M6 x 18 x 1.6,
39	370990A1	1	SEAL, , STEIGER 380 / 430, STX380 / 430
39	86991914	1	SEAL, , STX480 / 530, STEIGER 480 / 530
40	627-6025	1	BOLT, Hex, M6 x 25, 10.9,



STX530 CASE IH 4WD TRACTOR (BTW Z6F100023 - Z6F105001)

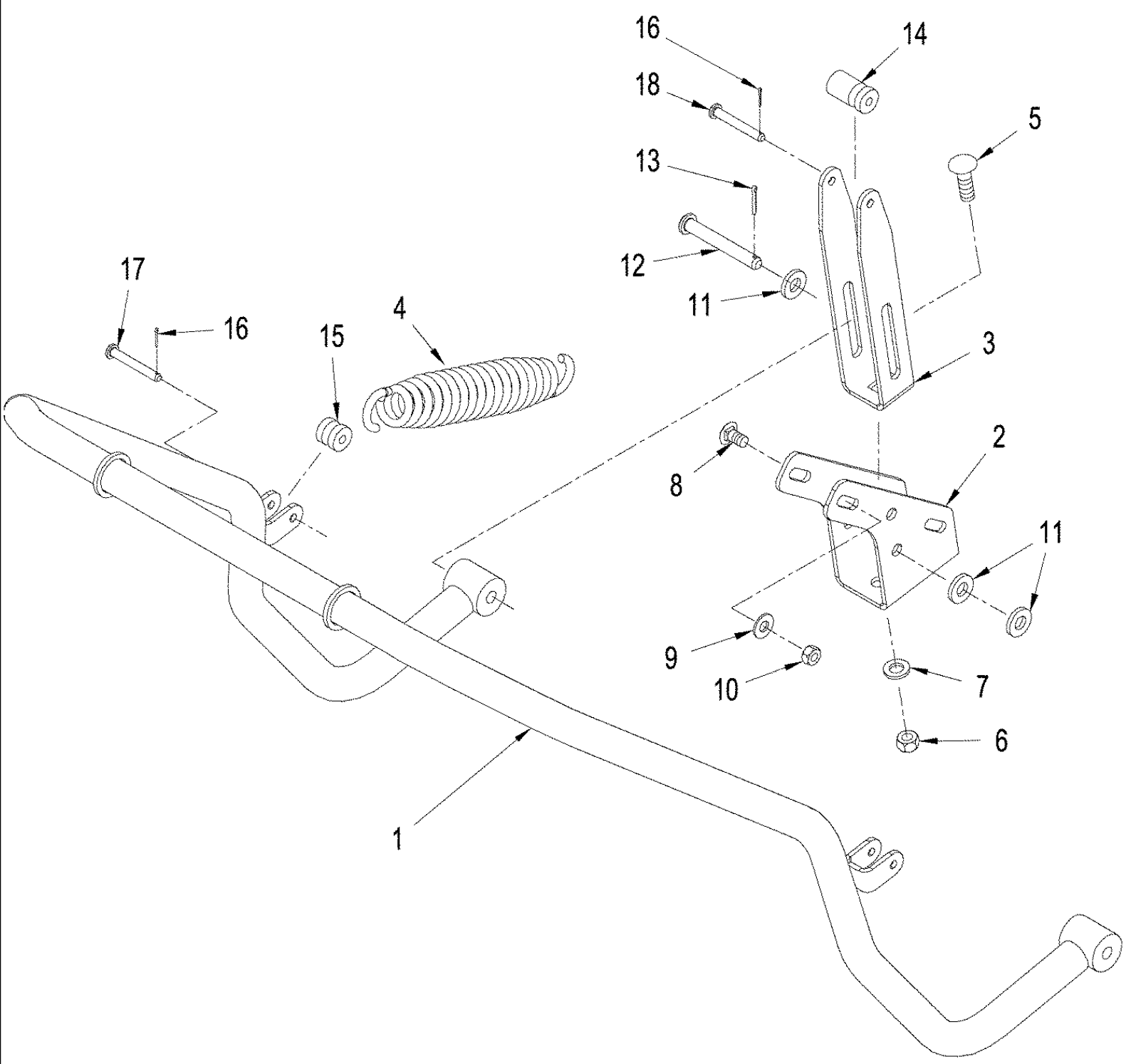
09-41 HOOD AND SUPPORT, STX & STEIGER 480 / 530

сылка	Номер детали	Кол-во	Описание
1	87436402	1	HOOD, , BSN Z6F105001
1	87519631	1	HOOD, , ASN Z6F105001
2	87308735	1	INSULATION, FOAM,
3	87312696	1	PLATE, MOUNTING, Debris Screen, with Lock
4	22-824	2	STRAP, CABLE, 3/16" x 7 1/4",
5	627-6030	8	BOLT, Hex, M6 x 30, 10.9, Full Thd,
6	825-2408	2	NUT, M8 x 1.25, Flg, CI 8, , BSN Z6F105001
6	131-431	2	NUT, LOCK, Self, Threading, 1/4", , ASN Z6F105001
7	896-11012	8	WASHER, M13.5 x 24.5 x 3, HT,
8	87532171	1	ARM, SUPPORTING, Lift, See Figure: 09-42
9	87367456	1	BRACKET, Hood Latch
10	728-620	1	PIN, CLEVIS, M6 x 20,
11	895-25006	8	WASHER, M6 x 18 x 1.6,
12	314842A3	4	BEARING,
13	827-6040	4	BOLT, Hex, M6 x 40, 10.9,
14	895-11006	10	WASHER, M6,
15	832-10406	8	NUT, LOCK, M6 x 1, CI 8,
16	443297A1	1	CABLE PULLING GRIP, Hood Latch
17	318159A1	1	LATCH, Hood, BSN Z7F105942
17	87550202	1	LATCH, Hood, ASN Z7F105942
18	87303387	1	SUPPORT, Radiator, Left-Hand
19	87303386	1	SUPPORT, Radiator, Right-Hand
20	627-12040	8	BOLT, Hex, M12 x 40, 10.9, Full Thd,
21	733-1610	1	PIN, SPLIT (COTTER), M1.6 x 10,
22	349565A1	1	GUIDE, Hood Sight, BSN Z6F105001
22	87353799	1	GUIDE, Hood Sight, ASN Z6F105001
23	87305954	1	BRACKET, Air Cleaner Cover, BSN Z6F105001
23	87549767	1	BRACKET, SUPPORTING, Air Cleaner Cover, ASN Z6F105001
24	627-6020	2	BOLT, Hex, M6 x 20, 10.9,
25	829-1406	2	NUT, M6, CI 10,
26	87307537	4	PLATE, Hood Guide
27	87312676	1	SCREEN, Assy., Engine Debris, Right-Hand, Inc. 14, 15, 28, 29, 34 - 36, 40 - 42, 45 & 46
28	87352532	1	SCREEN, Engine Debris, Right-Hand
29	87533287	1	SOFT TRIM, Right-Hand, 105 mm (4"), Cut From: 87533285
30	87312675	1	SCREEN, Assy., Engine Debris, Left-Hand, Inc. 14, 15, 31 - 36, 40 - 42, 45 & 46
31	NSS	1	NOT SERVICED SEPARATELY, Screen, Engine Debris, Left-Hand
32	87422383	1	SEAL, RUBBER, Dipstick Hole, 476 mm (18-3/4"), Cut From: 87371080
33	87533287	1	SOFT TRIM, Left-Hand, 105 mm (4"), Cut From : 87533285
34	87312706	1	CLIP,
35	87315570	2	MOUNT, RUBBER, Spacer
36	369741A1	1	SEAL, Bulb, 75 mm (3")
37	895-11008	4	WASHER, M8 x 16 x 1.6,
38	614-8020	2	BOLT, Hex, M8 x 20, 8.8,
39	832-10408	2	NUT, LOCK, M8 x 1.25, CI 8,
40	840-1525	2	SCREW, Cross Pan Hd, M5 x 25,

STX530 CASE IH 4WD TRACTOR (BTW Z6F100023 - Z6F105001)

09-41 HOOD AND SUPPORT, STX & STEIGER 480 / 530

сылка	Номер детали	Кол-во	Описание
41	895-11005	2	WASHER, M5 x 10 x 1,
42	832-10405	2	NUT, LOCK, M5 x .8, Cl 8,
43	627-8025	6	BOLT, Hex, M8 x 25, 10.9,
44	896-15008	4	WASHER, M8 x 21.5 x 2.5, HT,
45	895-25005	2	WASHER, M5 x 15 x 1.6,
46	369741A1	2	SEAL,
47	87422371	2	CABLE, Debris Screen

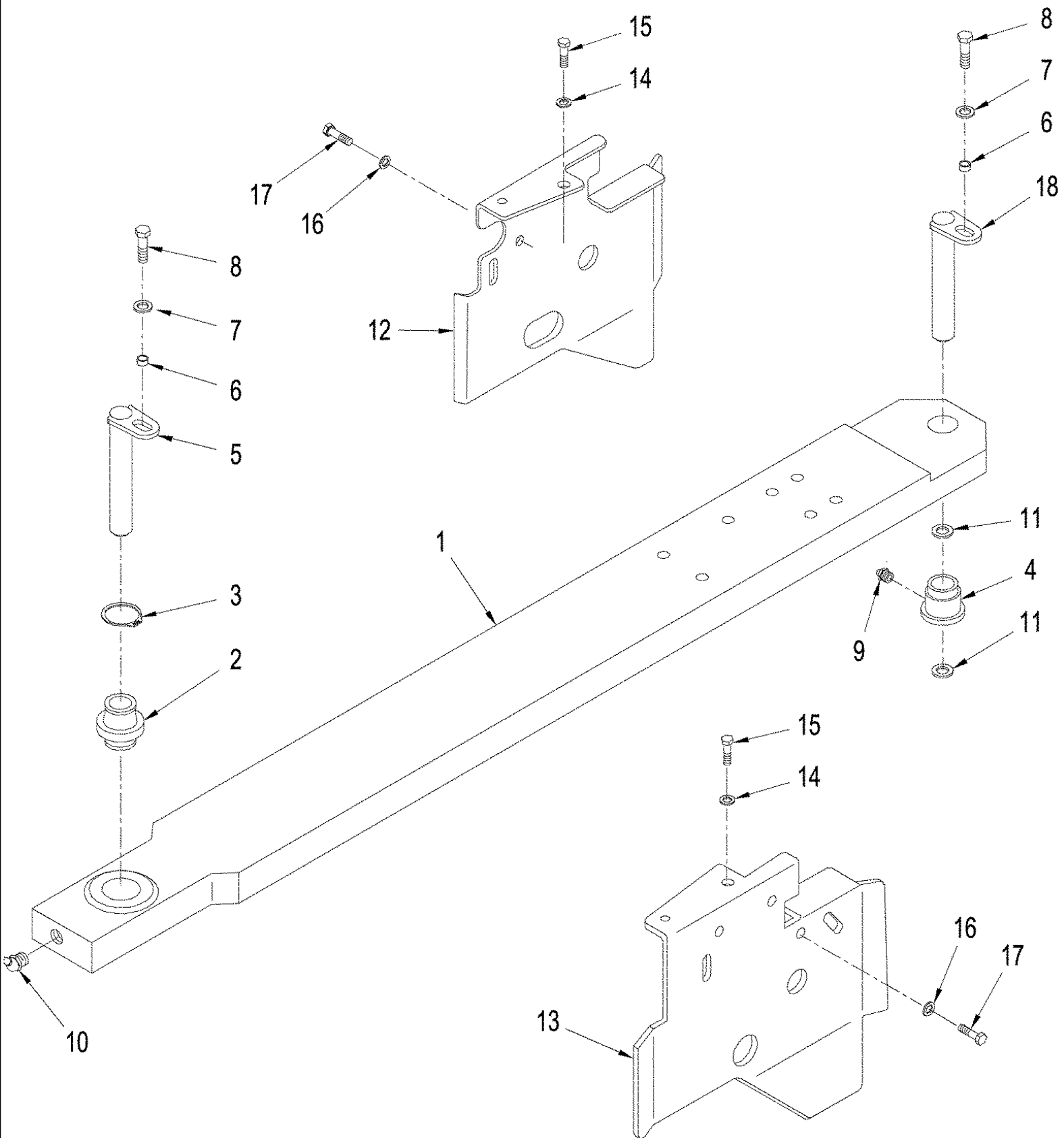


STX530 CASE IH 4WD TRACTOR (BTW Z6F100023 - Z6F105001)

09-42 HOOD - LIFT ARM

сылка	Номер детали	Кол-во	Описание
1	339543A2	1	ARM, Lift, STX380 / 430, STEIGER 380 / 430
1	87532171	1	ARM, SUPPORTING, Lift, STX480 / 530, STEIGER 480 / 530
2	339551A1	2	BRACKET, Mounting
3	339547A1	2	CLEVIS, ADJUSTABLE,
4	339549A1	2	SPRING, COIL,
5	811-12040	2	BOLT, CARRIAGE, Short NK, M12 x 40, CI8.8, Full Thd,
6	829-1412	2	NUT, M12, CI 10,
7	896-11012	2	WASHER, M13.5 x 24.5 x 3, HT,
8	811-10020	4	BOLT, CARRIAGE, Short NK, M10 x 20, CI8.8, Full Thd,
9	895-15010	4	WASHER, M11 x 24 x 2,
10	829-1410	4	NUT, M10, CI 10,
11	896-15012	6	WASHER, M12 x 28.5 x 4, HT,
12	728-1290	2	PIN, CLEVIS, M12 x 90,
13	733-3220	2	PIN, SPLIT (COTTER), M3.2 x 20,
14	313992A1	2	SPOOL,
15	320429A1	2	SPOOL,
16	733-2012	4	PIN, SPLIT (COTTER), M2 x 12,
17	728-840	2	PIN, CLEVIS, M8 x 40,
18	728-860	2	PIN, CLEVIS, M8 x 60,

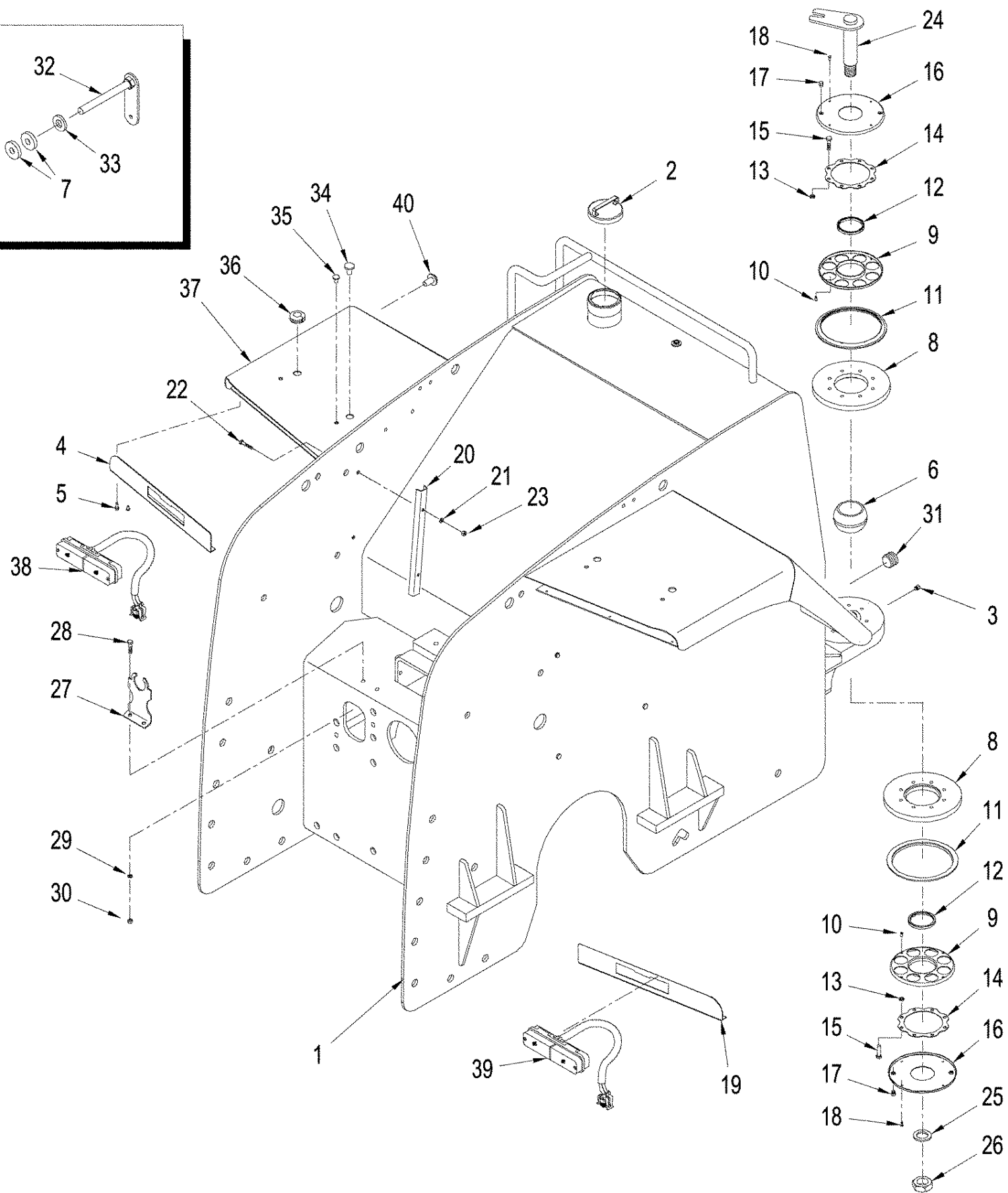
09-43 CENTER LINK



STX530 CASE IH 4WD TRACTOR (BTW Z6F100023 - Z6F105001)

09-43 CENTER LINK

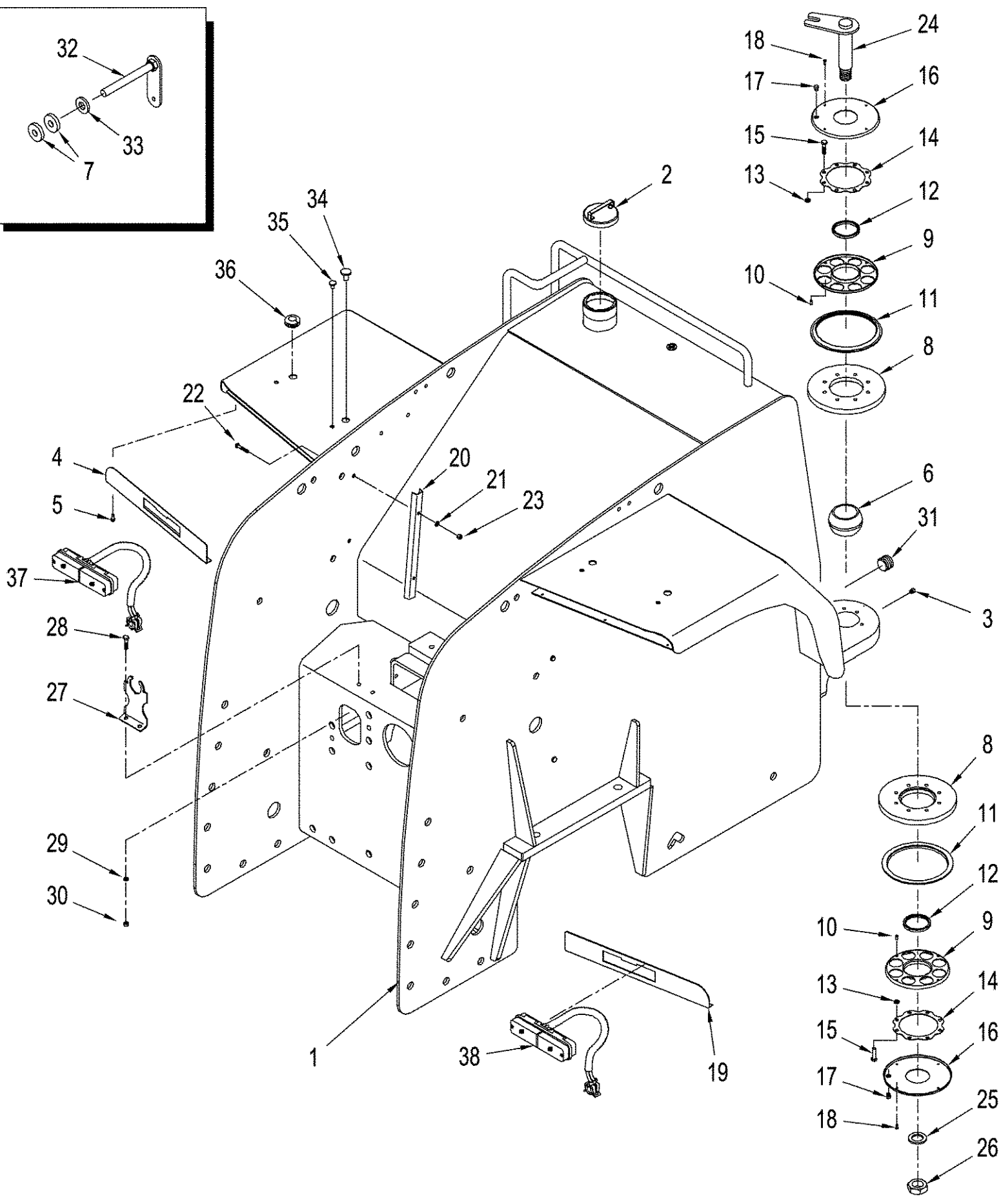
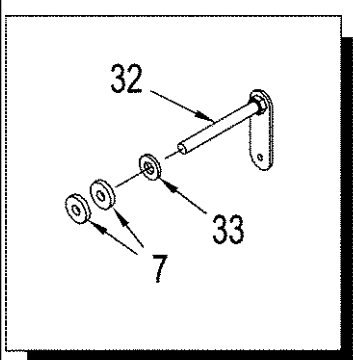
сылка	Номер детали	Кол-во	Описание
	87384059	1	LINK, CONNECTING, 1-3/4" thk, Inc. 1 - 4, QUADTRAC Tractor, STEIGER 380 / 430 & 480, STX380 / 430 & 480
	87384060	1	LINK, CONNECTING, 2-1/4" thk, Inc. 1 - 4, STEIGER 380 / 430 & 480 HD, STEIGER 530, STX530, STX380 / 430 & 480 HD
1	NSS	1	NOT SERVICED SEPARATELY, Link, Center Connecting
2	70-5468T1	1	BEARING, Spherical Sealed
3	101-21354	1	RING, SNAP, #354, Int, No. 354
4	435529A1	1	BUSHING,
5	195941A1	AR	PIN, Retaining, Center Link, 1-3/4" x 8", On Machines BSN Z6F100595 use qty. (2) and ASN Z6F100595 use qty. (1).
6	70-5967T1	2	SPACER,
7	896-11016	2	WASHER, M17.5 x 30 x 4, HT,
8	627-16040	2	BOLT, Hex, M16 x 40, 10.9,
9	219-1	1	NIPPLE, LUBE, 1/8"-27 x .66 lg,
10	219-36	1	NIPPLE, LUBE, 45c, 1/8" NPT x 7/8" lg,
11	D95143	2	SEAL,
12	87423436	1	COVER, Drive Shaft, Left-Hand
13	87423437	1	COVER, Drive Shaft, Right-Hand
14	895-11010	4	WASHER, M10 x 20 x 2,
15	627-10020	4	BOLT, Hex, M10 x 20, 10.9, Full Thd,
16	495-11053	4	WASHER, 1/2", SAE,
17	426-812	4	BOLT, Hex, 1/2"-13 x 3/4", G8, Full Thd,
18	87399531	1	PIN, LARGE, Retaining, Center Link, ASN Z6F100595



STX530 CASE IH 4WD TRACTOR (BTW Z6F100023 - Z6F105001)

09-44 REAR FRAME, QUADTRAC TRACTOR

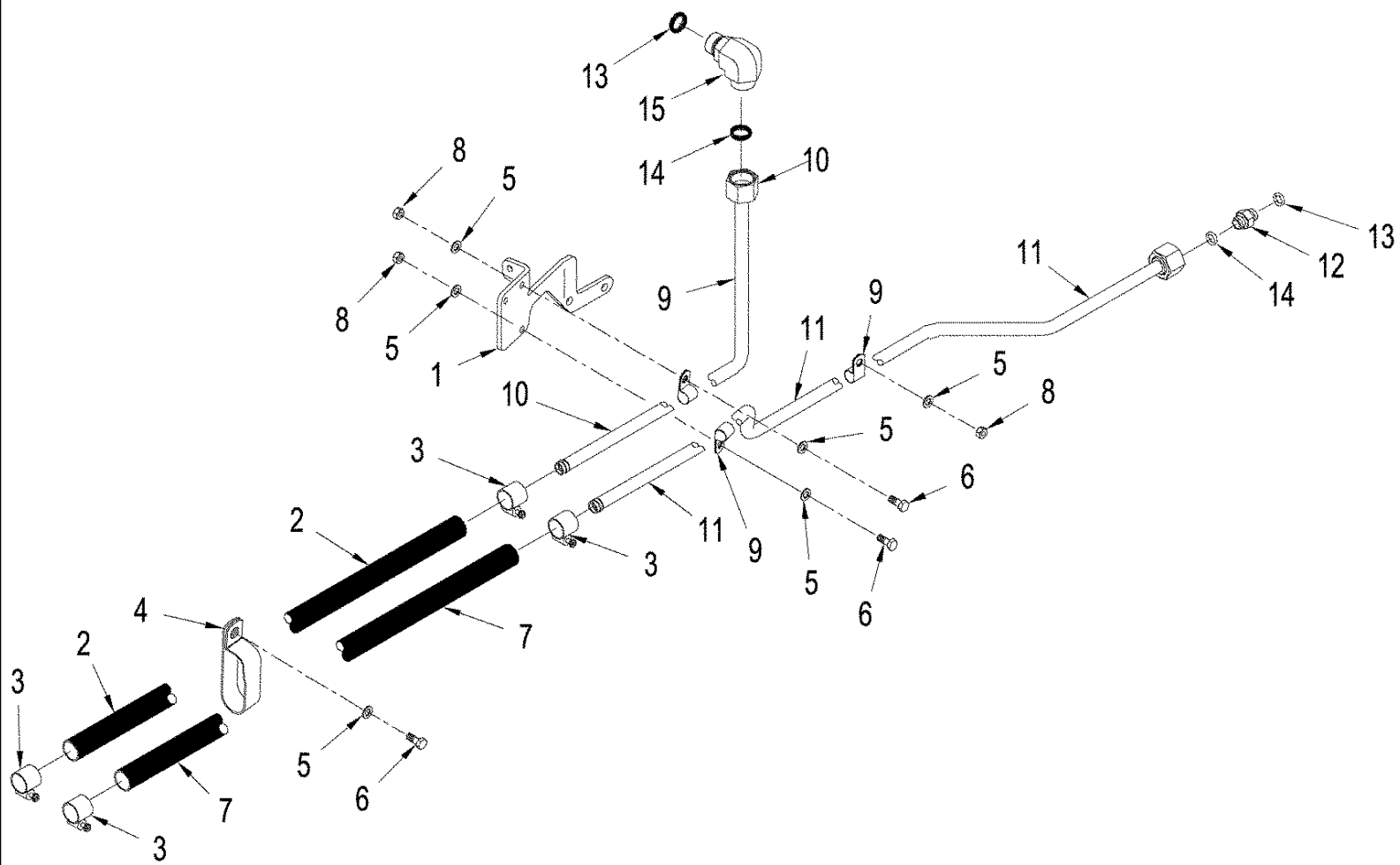
сылка	Номер детали	Кол-во	Описание
1	87423680	1	FRAME, Rear
2	433479A1	1	CAP, Fuel, BSN Z7F105335
2	87555106	1	CAP, FUEL, LOCKABLE, , ASN Z7F105335
3	219-36	1	NIPPLE, LUBE, 45с, 1/8" NPT x 7/8" lg,
4	418115A1	1	COVER, Left-Hand
5	281-54712	6	SCREW, Hex Wash Hd, 1/4"-20 x 3/4",
6	87311338	1	BEARING,
7	321232A1	2	BUSHING,
8	330032A1	2	FLANGE,
	433481A1	1	HOUSING, Inc. 9, 10
9	NSS	1	NOT SERVICED SEPARATELY, Housing
10	NSS	8	NOT SERVICED SEPARATELY, Spacer
11	433478A1	2	GASKET,
12	D95148	2	GASKET,
13	432444A1	16	SPACER,
14	430250A1	2	RETAINER,
15	827-10040	16	BOLT, Hex, M10 x 40, 10.9, Full Thd,
16	433480A2	2	COVER,
17	163-47	8	SCREW, Hex Hd, #10-32 x 1/2", G5,
18	86643151	4	PLUG, Hex Hd, 1/8"-27 NPTF,
19	418116A1	1	COVER, Right-Hand
20	311376A2	1	CHANNEL, Wire Guard
21	895-11008	8	WASHER, M8 x 16 x 1.6,
22	827-8050	4	BOLT, Hex, M8 x 50, 10.9,
23	832-10408	4	NUT, LOCK, M8 x 1.25, CI 8,
24	87590638	1	PIN,
25	1-4088	1	WASHER, 3/4" x 2-3/4" x 1/4"
26	425-1528	1	NUT, Jam, 1 1/2"-12, G5, Hvy,
27	402769A2	1	PLATE,
28	627-10035	2	BOLT, Hex, M10 x 35, 10.9, Full Thd,
29	895-11010	2	WASHER, M10 x 20 x 2,
30	832-10410	2	NUT, LOCK, M10 x 1.5, CI 8,
31	384163A1	1	PLASTIC PLUG,
32	406390A1	1	HANDLE, Mounting, Articulation Lock
33	896-15012	1	WASHER, M12 x 28.5 x 4, HT,
34	353-411	2	PLUG, Dome, 1.000" hole, Nylon,
35	353-404	2	PLUG, Dome, .500" hole, Nylon,
36	87030421	2	GROMMET, 3/8" ID x 1 1/4" Groove Dia, Str Cut,
37	313569A2	1	FENDER, REAR, LH
38	429385A1	1	LIGHT, WORK, LH, See Figure: 04-24
39	417788A1	1	LIGHT, WORK, RH, See Figure: 04-24
40	353-403	4	PLUG, Dome, .437" hole, Nylon,



STX530 CASE IH 4WD TRACTOR (BTW Z6F100023 - Z6F105001)

09-45 REAR FRAME, WHEEL TRACTOR

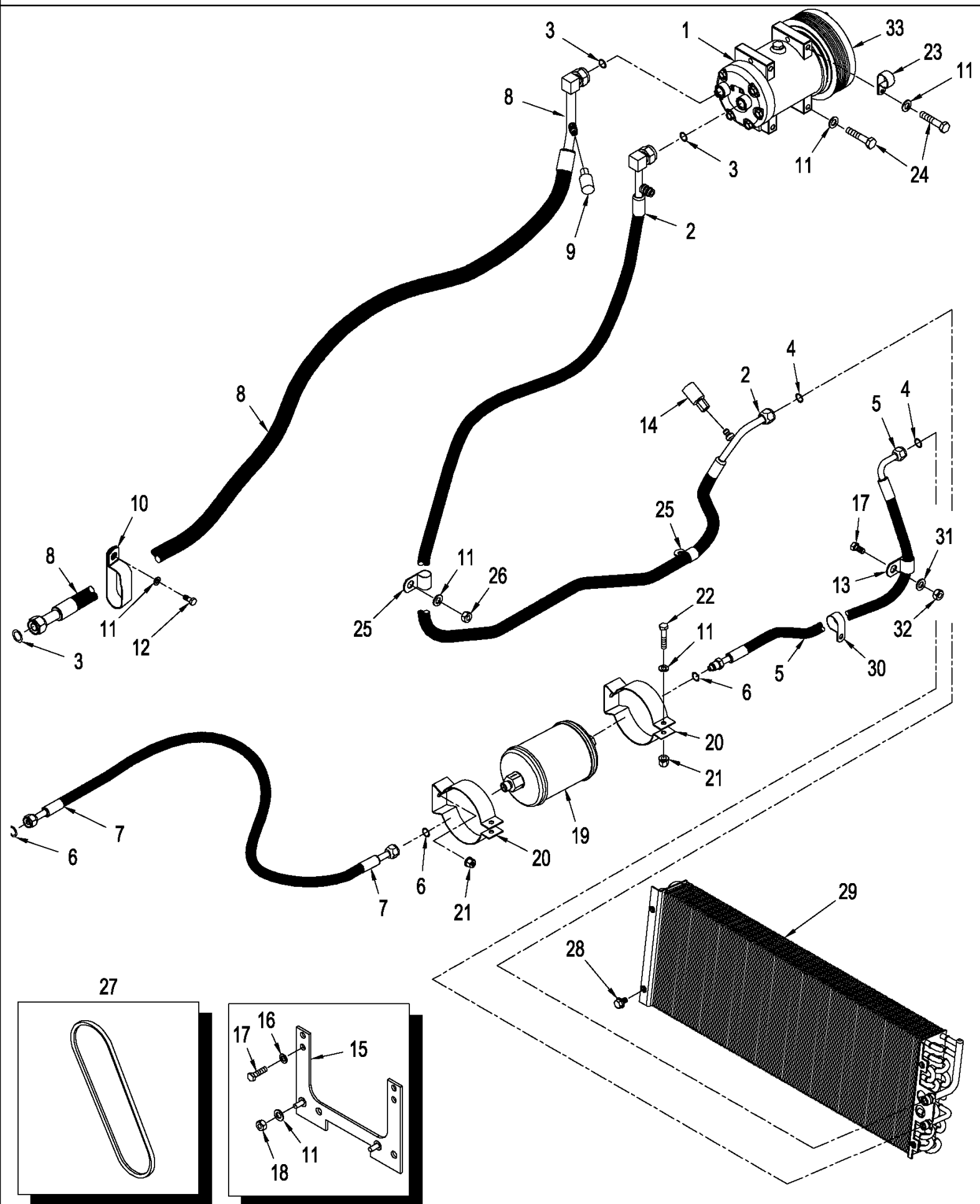
сылка	Номер детали	Кол-во	Описание
1	426737A1	1	FRAME, Rear
2	433479A1	1	CAP, Fuel, BSN Z7F105333
2	87555106	1	CAP, FUEL, LOCKABLE, , ASN Z7F105333
3	219-36	2	NIPPLE, LUBE, 45с, 1/8" NPT x 7/8" lg,
4	417862A1	2	COVER, Tail Light, Left-Hand
5	281-54712	6	SCREW, Hex Wash Hd, 1/4"-20 x 3/4",
6	87311338	1	BEARING,
7	321232A1	2	BUSHING,
8	330032A1	2	FLANGE,
	433481A1	2	HOUSING, Inc. 9, 10
9	NSS	1	NOT SERVICED SEPARATELY, Housing
10	NSS	8	NOT SERVICED SEPARATELY, Spacer
11	433478A1	2	GASKET,
12	D95148	2	GASKET,
13	432444A1	16	SPACER,
14	430250A1	2	RETAINER,
15	827-10040	16	BOLT, Hex, M10 x 40, 10.9, Full Thd,
16	433480A2	2	COVER,
17	163-47	8	SCREW, Hex Hd, #10-32 x 1/2", G5,
18	86643151	4	PLUG, Hex Hd, 1/8"-27 NPTF,
19	417863A1	1	COVER, Tail Light, Right-Hand
20	330164A2	2	GUARD,
21	895-11008	8	WASHER, M8 x 16 x 1.6,
22	827-8050	4	BOLT, Hex, M8 x 50, 10.9,
23	832-10408	4	NUT, LOCK, M8 x 1.25, CI 8,
24	87590638	1	PIN,
25	1-4088	1	WASHER, 1-3/4" x 2-3/4" x 1/4"
26	425-1528	1	NUT, Jam, 1 1/2"-12, G5, Hvy,
27	349568A3	1	PLATE, Mounting
28	627-10030	2	BOLT, Hex, M10 x 30, 10.9, Full Thd,
29	895-11010	2	WASHER, M10 x 20 x 2,
30	829-1408	2	NUT, M8, CI 10,
31	384163A1	1	PLASTIC PLUG,
32	406390A1	1	HANDLE, Mounting, Articulation Lock
33	896-15012	1	WASHER, M12 x 28.5 x 4, HT,
34	353-422	2	PLUG, Dome, 1.250" hole, Nylon,
35	353-404	2	PLUG, Dome, .500" hole, Nylon,
36	87030421	2	GROMMET, 3/8" ID x 1 1/4" Groove Dia, Str Cut,
37	429385A1	1	LIGHT, WORK, LH, See Figure: 04-25
38	417788A1	1	LIGHT, WORK, RH, See Figure: 04-25



STX530 CASE IH 4WD TRACTOR (BTW Z6F100023 - Z6F105001)

09-47 HEATER - HOSES, STX & STEIGER 480 / 530

сылка	Номер детали	Кол-во	Описание
1	87335706	1	BRACKET, Support
2	87391868	1	HOSE, Supply
3	214-1408	4	CLAMP, HOSE, #08, 0.50/0.91 Type F Worm,
4	R54363	1	CLAMP, Double
5	895-11008	9	WASHER, M8 x 16 x 1.6,
6	627-8020	3	BOLT, Hex, M8 x 20, 10.9,
7	87391868	1	HOSE, Return
8	829-1408	5	NUT, M8, CI 10,
9	515-23159	3	CLAMP, 5/8", Insul, 3/8" Bolt,
10	87389218	1	TUBE, HEATER, Supply, Upper
11	87389219	1	TUBE, HEATER, Return, Lower
12	700-104	1	CONNECTOR, HYD., 1 3/16"-12 ORFS x M27 x 2 ORB, Incl. 13, 14
13	637-64236	1	O-RING, CI 6, 23.6MM ID x 2.9 Thk,
14	238-6018	1	O-RING, -018, 90 Duro, .739" ID x .070" Thk,
15	700-307	1	ELBOW, 90°, 1 3/16"-12 ORFS x M27 x 2 ORB, Incl. 13 & 14

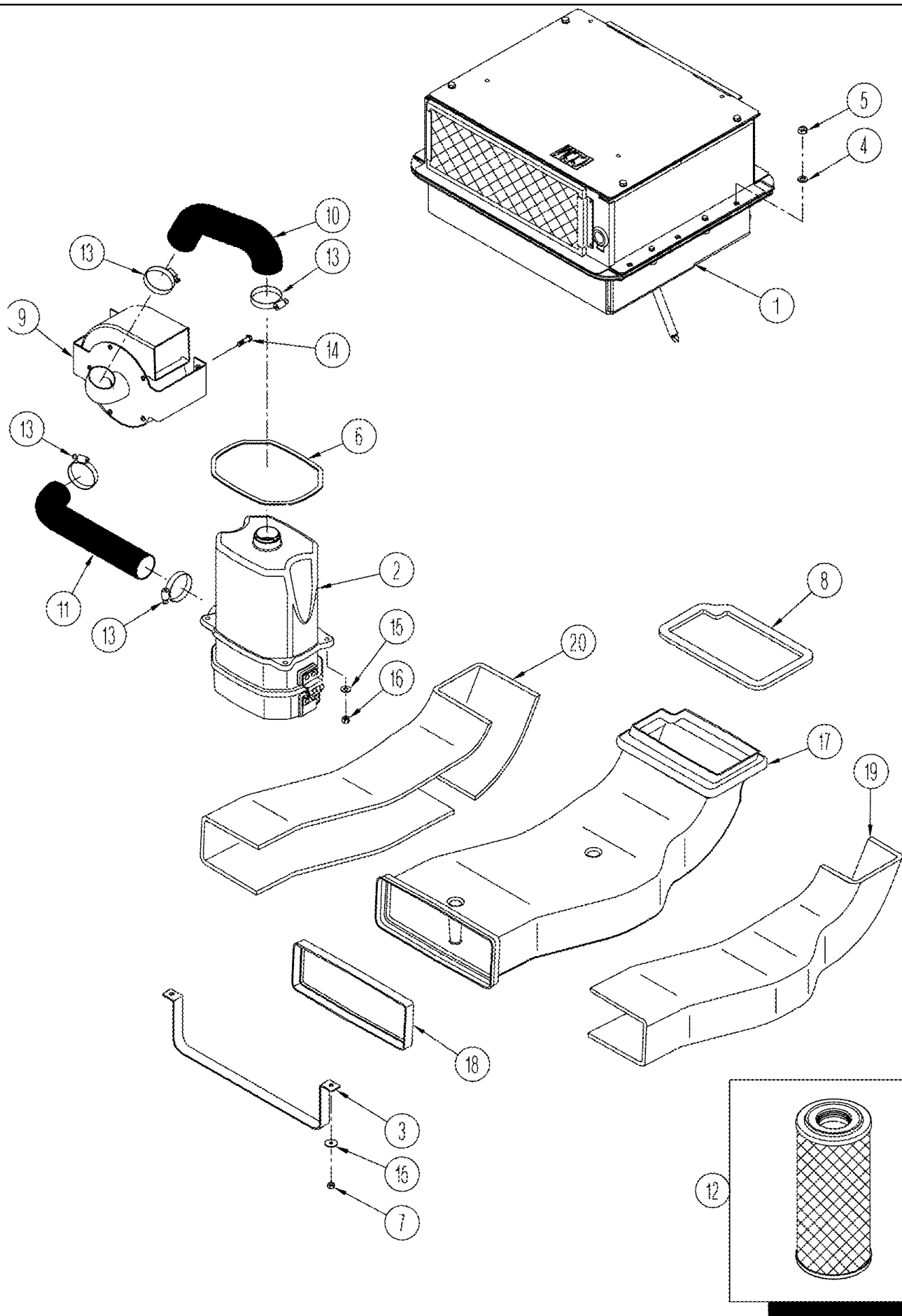


STX530 CASE IH 4WD TRACTOR (BTW Z6F100023 - Z6F105001)

09-49 AIR CONDITIONING SYSTEM, STX & STEIGER 480 / 530

сылка	Номер детали	Кол-во	Описание
1	86993463	1	COMPRESSOR, AIRCOND, Inc. 33
2	87580499	1	HOSE ASSY., 2160 mm (85"), Compressor to Condensor, Inc. 3 & 4
3	128485A1	1	O-RING,
4	128484A1	1	O-RING,
5	87437756	1	HOSE ASSY., 2418 mm (95"), Condesor to Dryer, Inc. 4 & 6
6	128483A1	1	O-RING,
7	87437755	1	HOSE ASSY., 2045 mm (80-1/2"), Dryer to Evaporator
8	87580501	1	HOSE ASSY., 3510 mm (138"), Evaporator to Compressor, Inc. 3 & 9
9	122553A1	1	CAP, Low Side Service Port
10	R54363	2	CLAMP, Double
11	895-11008	17	WASHER, M8 x 16 x 1.6,
12	627-8025	2	BOLT, Hex, M8 x 25, 10.9,
13	515-23159	2	CLAMP, 5/8", Insul, 3/8" Bolt,
14	284273A2	1	SWITCH, A/C HIGH PRESSURE, A/C, High Pressure
15	87440265	1	BRACKET, Mounting, Engine Harness
16	895-18010	6	WASHER, M10 x 18 x 1.6,
17	627-10025	3	BOLT, Hex, M10 x 25, 10.9, Full Thd,
18	832-10408	2	NUT, LOCK, M8 x 1.25, CI 8,
19	295006A1	1	RECEIVER-DRYER, HFC-134a
20	433723A1	2	CLAMP, Mounting Bracket
21	825-5148	4	NUT, M8, Flg Ser,
22	827-8040	2	BOLT, Hex, M8 x 40, 10.9,
23	515-2395	1	CLAMP, 3/8", Insul, 3/8" Bolt,
24	827-8100	4	BOLT, Hex, M8 x 100, 10.9,
25	515-23190	1	CLAMP, 3/4", Insul, 3/8" Bolt,
26	829-1408	6	NUT, M8, CI 10,
27	87366407	1	BELT, Acessory Drive, AC & Alternator
28	844-8020	4	BOLT, Hex Flg, M8 x 20, 8.8,
29	87434395	1	CONDENSER, A/C Condensor
30	515-25159	1	CLAMP, 5/8", Insul, 1/2" Bolt,
31	895-11010	4	WASHER, M10 x 20 x 2,
32	829-1410	3	NUT, M10, CI 10,
33	403585A1	1	CLUTCH, A/C Compressor

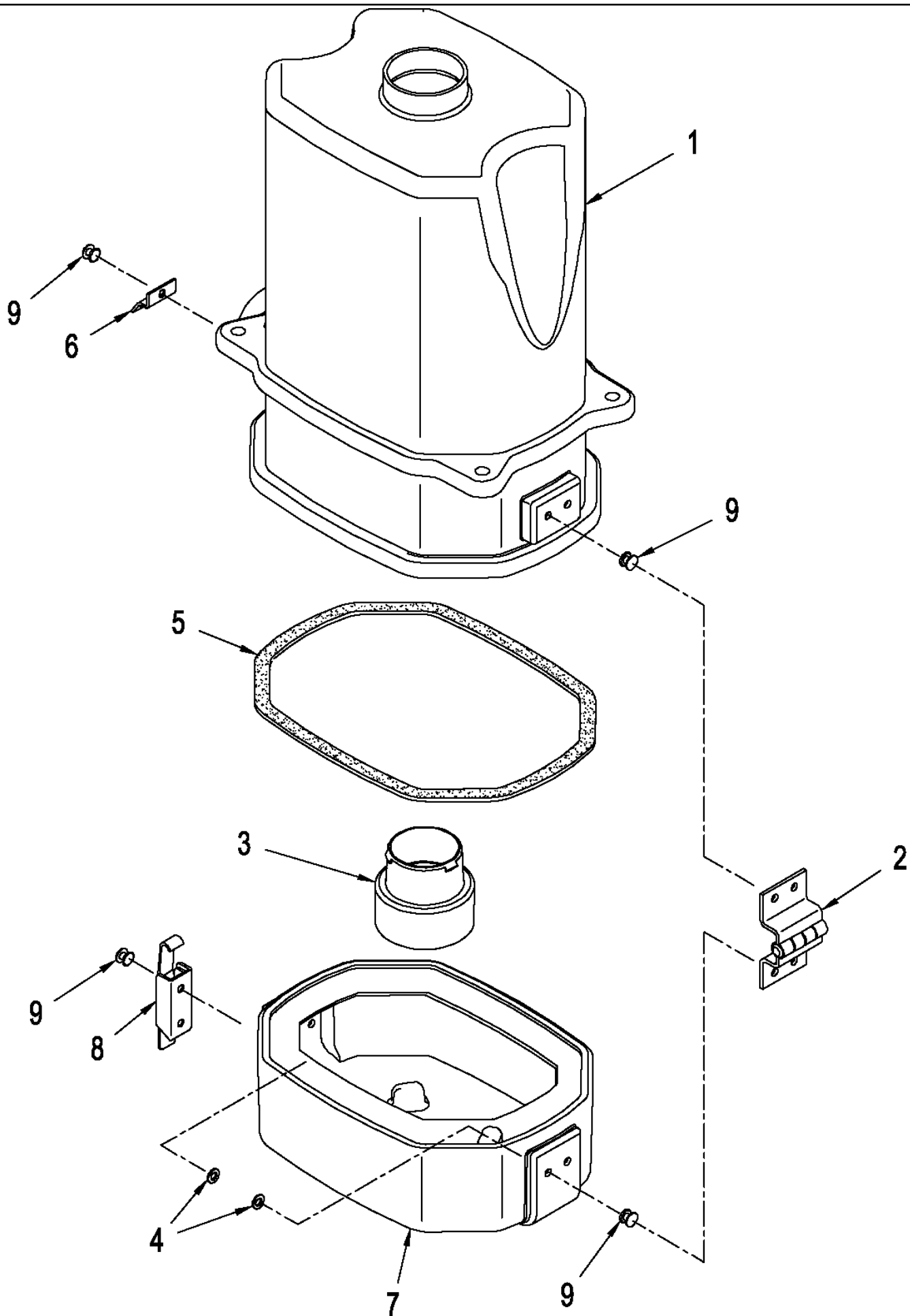
09-50 AIR CONDITIONING - DUCTS



09-50 AIR CONDITIONING - DUCTS

сылка	Номер детали	Кол-во	Описание
1	87365878	1	AIR CONDITIONER, With Auto Temp Control, See Figure: 09-53
2	87596194	1	HOUSING, Air Filter, See Figure: 09-51
3	384950A2	1	BRACKET, Support, Duct
4	895-11010	6	WASHER, M10 x 20 x 2,
5	829-1410	6	NUT, M10, CI 10,
6	359586A1	1	SEAL, Filter
7	829-1408	2	NUT, M8, CI 10,
8	278967A3	4	GASKET, Floor Plate
9	NSS	1	NOT SERVICED SEPARATELY, Blower Assy, See Figure: 09-52
10	307024A4	1	HOSE, Air Intake
11	87380071	1	HOSE, Air Intake
12	259288A1	1	FILTER, Air
13	214-1432	4	CLAMP, HOSE, #32, 1.56/2.50 Type F Worm,
14	627-6012	4	BOLT, Hex, M6 x 12, 10.9,
15	895-15008	6	WASHER, M8 x 20 x 1.6,
16	832-10408	4	NUT, LOCK, M8 x 1.25, CI 8,
17	327851A1	1	DUCT,
18	359670A2	1	SEAL,
19	328051A2	1	INSULATION, FOAM, Duct, Right-Hand
20	328052A2	1	INSULATION, FOAM, Duct, Left-Hand

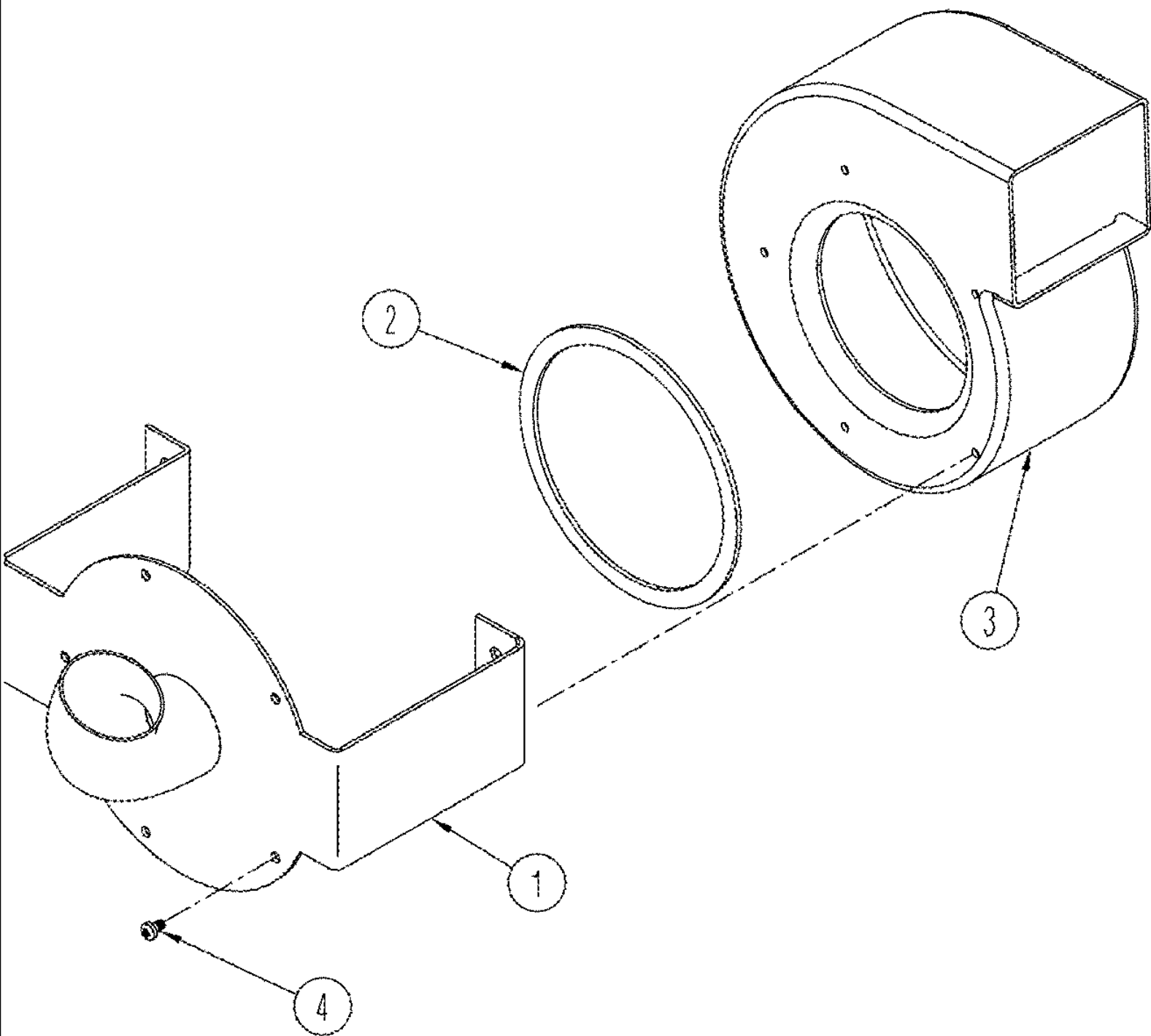
09-51 AIR CONDITIONING - AIR FILTER HOUSING ASSEMBLY



STX530 CASE IH 4WD TRACTOR (BTW Z6F100023 - Z6F105001)

09-51 AIR CONDITIONING - AIR FILTER HOUSING ASSEMBLY

сылка	Номер детали	Кол-во	Описание
	87596194	1	HOUSING, Air Filter, Inc. 1 - 9
1	NSS	1	NOT SERVICED SEPARATELY, Housing, Filter, Upper
2	319969A1	1	HINGE, Air Filter Housing
3	307016A1	1	COUPLING,
4	895-11005	7	WASHER, M5 x 10 x 1,
5	87598827	1	SEAL, Cut From 87432208
6	307021A2	1	CLIP,
7	NSS	1	NOT SERVICED SEPARATELY, Housing, Filter, Lower
8	87596198	1	LATCH, Air Filter Housing
9	151-510	7	RIVET, Pop, 3/16" x .450",

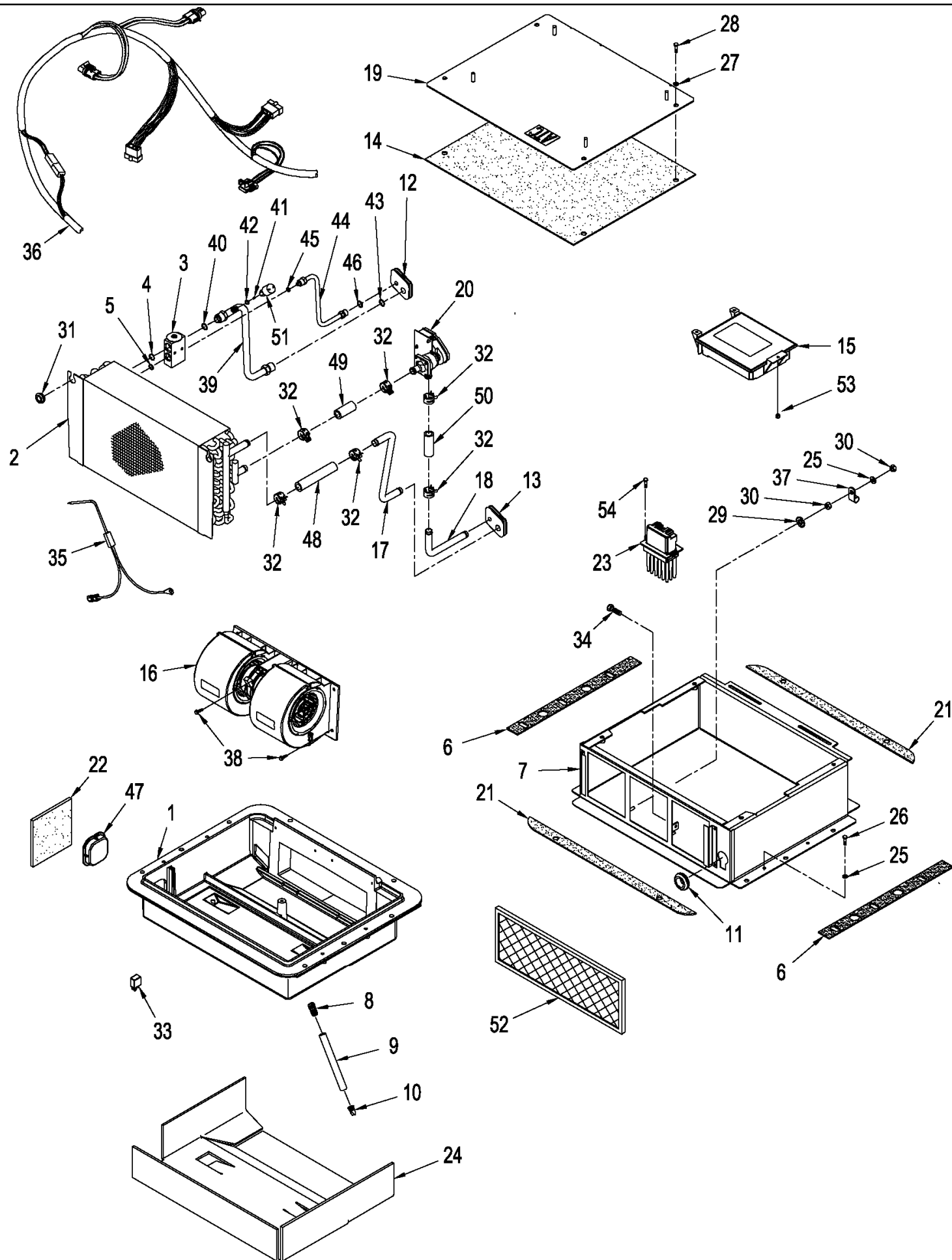


STX530 CASE IH 4WD TRACTOR (BTW Z6F100023 - Z6F105001)

09-52 AIR CONDITIONING - BLOWER ASSEMBLY

сылка	Номер детали	Кол-во	Описание
1	307104A3	1	SUPPORT, Blower
2	313282A1	1	SEAL, Cut From 187874C1
3	87107380	1	BLOWER, Cab Pressurizer / Suction
4	840-258	5	SCREW, Cross Pan Hd, M5 x 8,

09-53 AIR CONDITIONING - CLIMATE CONTROL UNIT, WITH AUTO TEMP CONTROL



STX530 CASE IH 4WD TRACTOR (BTW Z6F100023 - Z6F105001)

09-53 AIR CONDITIONING - CLIMATE CONTROL UNIT, WITH AUTO TEMP CONTROL

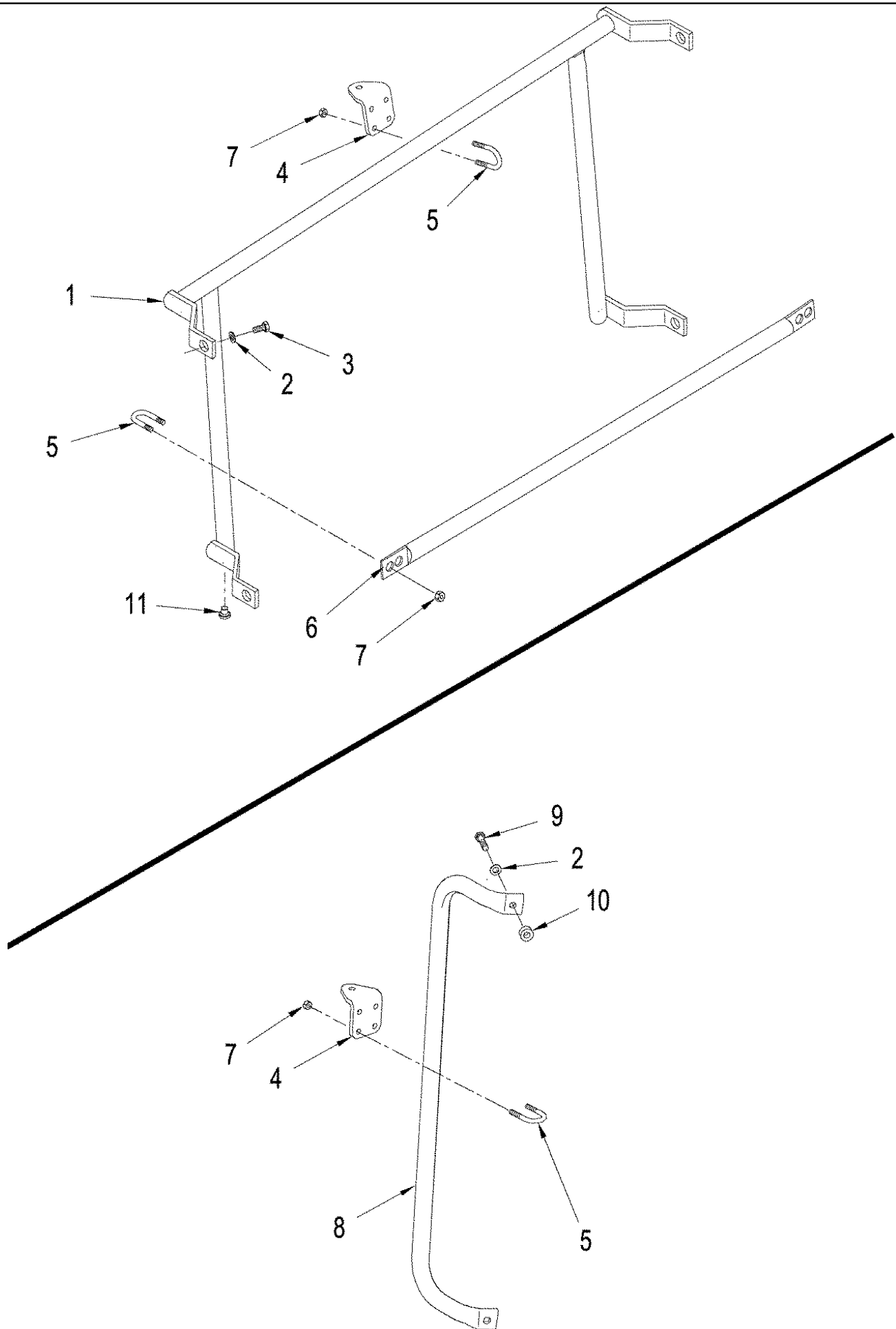
сылка	Номер детали	Кол-во	Описание
	87365878	1	AIR CONDITIONER, Inc. 1 - 54
1	322996A1	1	BOX, Air Conditioning, Lower
2	NSS	1	NOT SERVICED SEPARATELY, Core, Evaporator and Heater
3	386535A1	1	VALVE, Expansion
4	128485A1	1	O-RING, 9/16" ID x 1/16"
5	128484A1	1	O-RING, 7/16" ID x 1/16"
6	322994A1	4	GASKET,
7	87306776	1	CASE ASSY.,
8	1250522C3	2	ELBOW,
9	1977334C1	2	HOSE, 610 mm (24-1/8"), Cut From 198091C1
10	109239C2	2	VALVE,
11	248-2381	1	GROMMET, 1" ID x 1 3/8" Groove Dia,
12	322989A1	1	GROMMET,
13	322990A1	1	GROMMET,
14	87324951	1	GASKET,
15	87365492	1	MODULE, Module, 12V, Blower Motor
16	323610A1	1	BLOWER,
17	322985A1	1	PIPE, Outlet
18	322987A1	1	PIPE, Inlet
19	87306495	1	COVER,
20	427356A1	1	VALVE, CONTROL,
21	322995A1	4	GASKET,
22	87306773	1	INSULATION, FOAM,
23	87306706	1	TERMINAL CONNECTOR, Linear Blower
24	324484A1	1	INSULATOR,
25	892-11006	5	WASHER, LOCK, M6,
26	614-6016	4	BOLT, Hex, M6 x 16, 8.8,
27	892-11008	4	WASHER, LOCK, M8,
29	493-81002	1	WASHER, LOCK, Ext-Int Tooth, 1/4",
30	829-1406	2	NUT, M6, CI 10,
31	248-1243	2	GROMMET, 1/2" ID x 13/16" Groove Dia, Diag Cut,
32	1954736C1	6	CLAMP, HOSE, No. 24
33	105849A1	1	RELAY, 12V
34	87454442	1	SENSOR, Thermister
35	323016A1	1	SENSOR, Temperature
36	87323958	1	HARNESS,
37	515-21127	1	CLAMP, 1/2", Insul, 1/4" Bolt,
38	281-14512	4	SCREW, SELF TAPPING, Hex Wash Hd, #10 x 3/4",
39	322839A1	1	PIPE, Suction, Inc. 40 - 42
40	128485A1	1	O-RING, 9/16" ID x 1/16"
41	1250594C2	1	CORE, Evaporator / Heater
42	128483A1	1	O-RING, 5/16" ID x 1/16"
43	128485A1	1	O-RING,
44	322840A1	1	PIPE, Liquid, Inc. 45, 46
45	128483A1	1	O-RING, 5/16" ID x 1/16"

STX530 CASE IH 4WD TRACTOR (BTW Z6F100023 - Z6F105001)

09-53 AIR CONDITIONING - CLIMATE CONTROL UNIT, WITH AUTO TEMP CONTROL

сылка	Номер детали	Кол-во	Описание
46	NSS	1	NOT SERVICED SEPARATELY,
47	368313A1	1	PLASTIC PLUG,
48	1321290C2	1	HOSE, 127 mm (5"), Cut From 97252CX
49	324022A1	1	HOSE, 54 mm (2-1/8"), Cut From 97252CX
50	324023A1	1	HOSE, 64 mm (2-1/2"), Cut From 97252CX
51	87323829	1	SWITCH, A/C LOW PRESSURE, Low Pressure
52	87409377	1	FILTER, Recirculated Air
53	832-46404	1	NUT, LOCK, M4 x .7, CI 8,
54	280-1448	2	SCREW, SELF TAPPING, Hex Wash Hd, #8 x 1/2",
28	627-8025	4	BOLT, Hex, M8 x 25, 10.9,

09-56 MONITOR MOUNTING

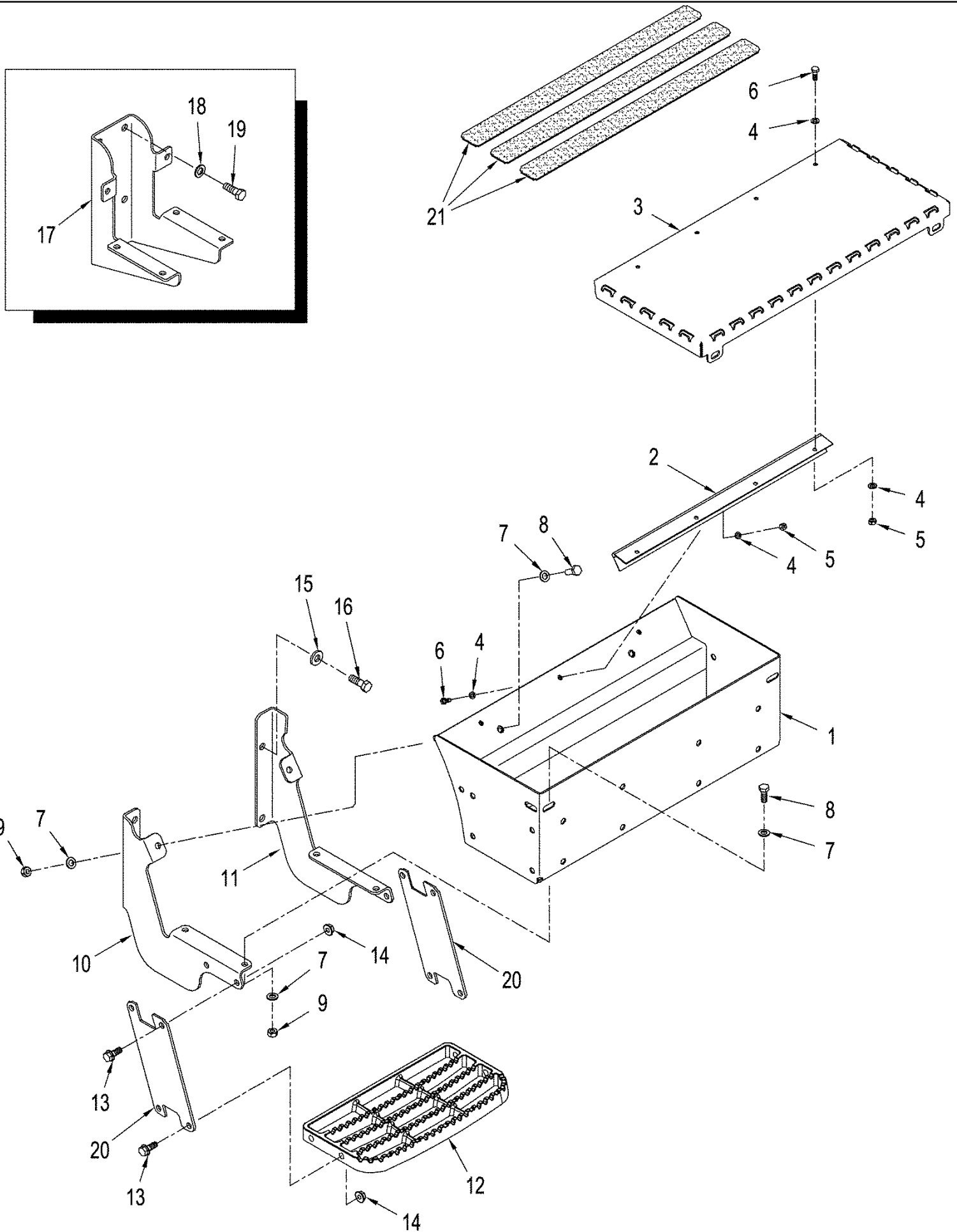


STX530 CASE IH 4WD TRACTOR (BTW Z6F100023 - Z6F105001)

09-56 MONITOR MOUNTING

сылка	Номер детали	Кол-во	Описание
1	409391A2	1	MOUNTING PARTS, Monitor, Right-Hand Window
2	895-11008	6	WASHER, M8 x 16 x 1.6,
3	627-8025	4	BOLT, Hex, M8 x 25, 10.9,
4	87530660	3	BRACKET, Angle
5	87526197	4	U-BOLT, 1/4", Inc. Nut
6	443908A1	1	TUBE, Monitor Mount
7	425-104	12	NUT, 1/4"-20, G5,
8	369275A1	1	TUBE, Monitor Mount
9	827-8040	2	BOLT, Hex, M8 x 40, 10.9,
10	371838A1	2	SPACER,
11	353-408	2	PLUG, Dome, .750" hole, Nylon, 3/4"

09-57 STORAGE BOX

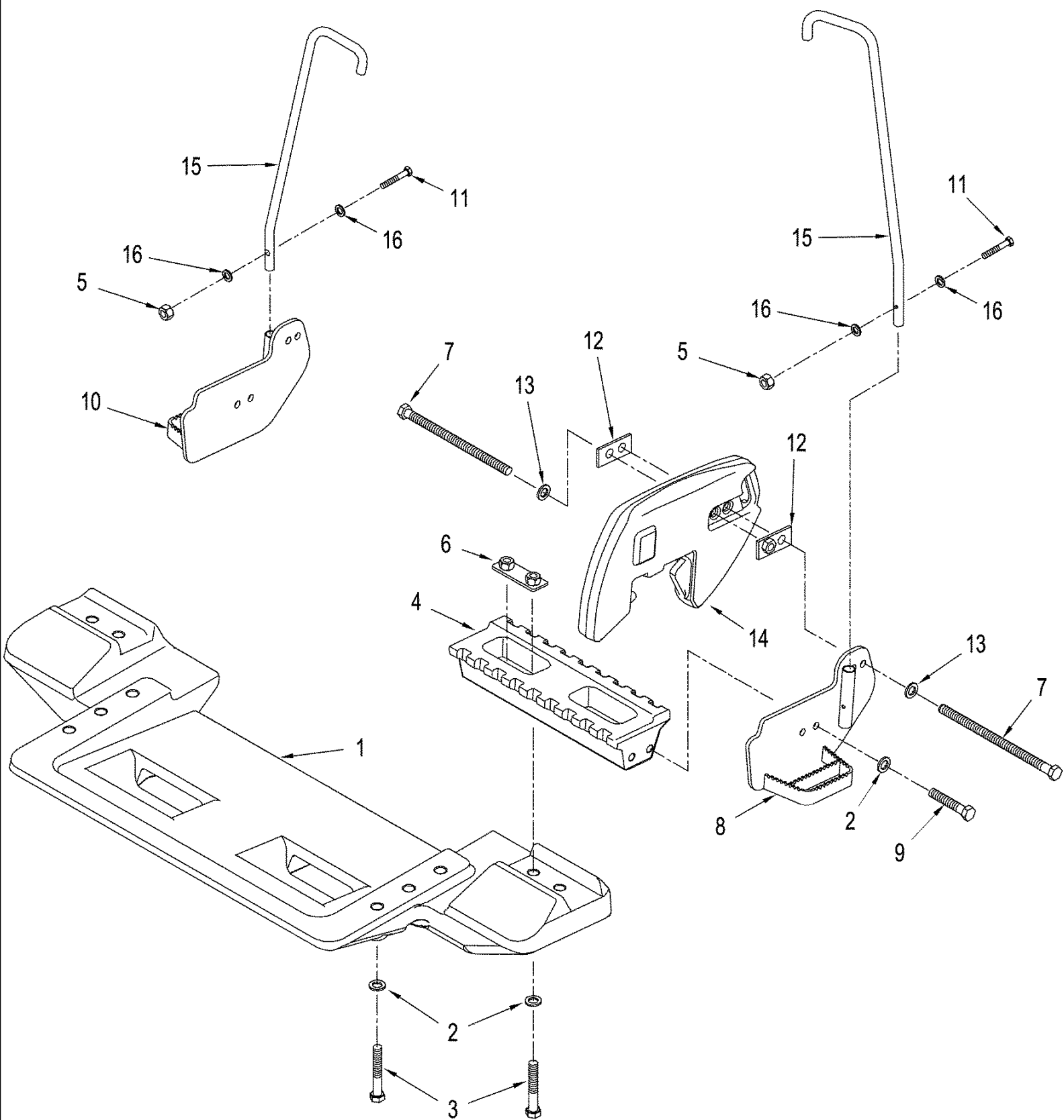


STX530 CASE IH 4WD TRACTOR (BTW Z6F100023 - Z6F105001)

09-57 STORAGE BOX

сылка	Номер детали	Кол-во	Описание
1	87325332	1	BOX, Storage
2	70-6748T1	1	HINGE, Storage Box
3	87307236	1	STEP, Lower, Storage Box
4	895-11006	14	WASHER, M6,
5	832-10406	7	NUT, LOCK, M6 x 1, CI 8,
6	627-6016	7	BOLT, Hex, M6 x 16, 10.9,
7	895-11010	12	WASHER, M10 x 20 x 2,
8	627-10025	6	BOLT, Hex, M10 x 25, 10.9, Full Thd,
9	829-1410	6	NUT, M10, CI 10,
10	410814A1	1	BRACKET, Mounting, Storage Box, Without Weights
11	410815A2	1	BRACKET, Mounting, Storage Box, Without Weights
12	87301185	1	STEP, Lower
13	905-10025	8	BOLT, Hex Serr Flg, M10 x 25,
14	825-11410	8	NUT, M10 x 1.25, CI 8,
15	896-15012	3	WASHER, M12 x 28.5 x 4, HT,
16	627-12035	3	BOLT, Hex, M12 x 35, 10.9,
17	410817A1	1	BRACKET, Mounting, Storage Box, With Weights
18	895-11012	3	WASHER, M12 x 24 x 2.5,
19	627-12035	3	BOLT, Hex, M12 x 35, 10.9,
20	410816A1	2	BRACKET, Mounting, Step
21	87307237	3	STRIP, ANTI-SKID,

09-58 WEIGHTS - FRONT FRAME

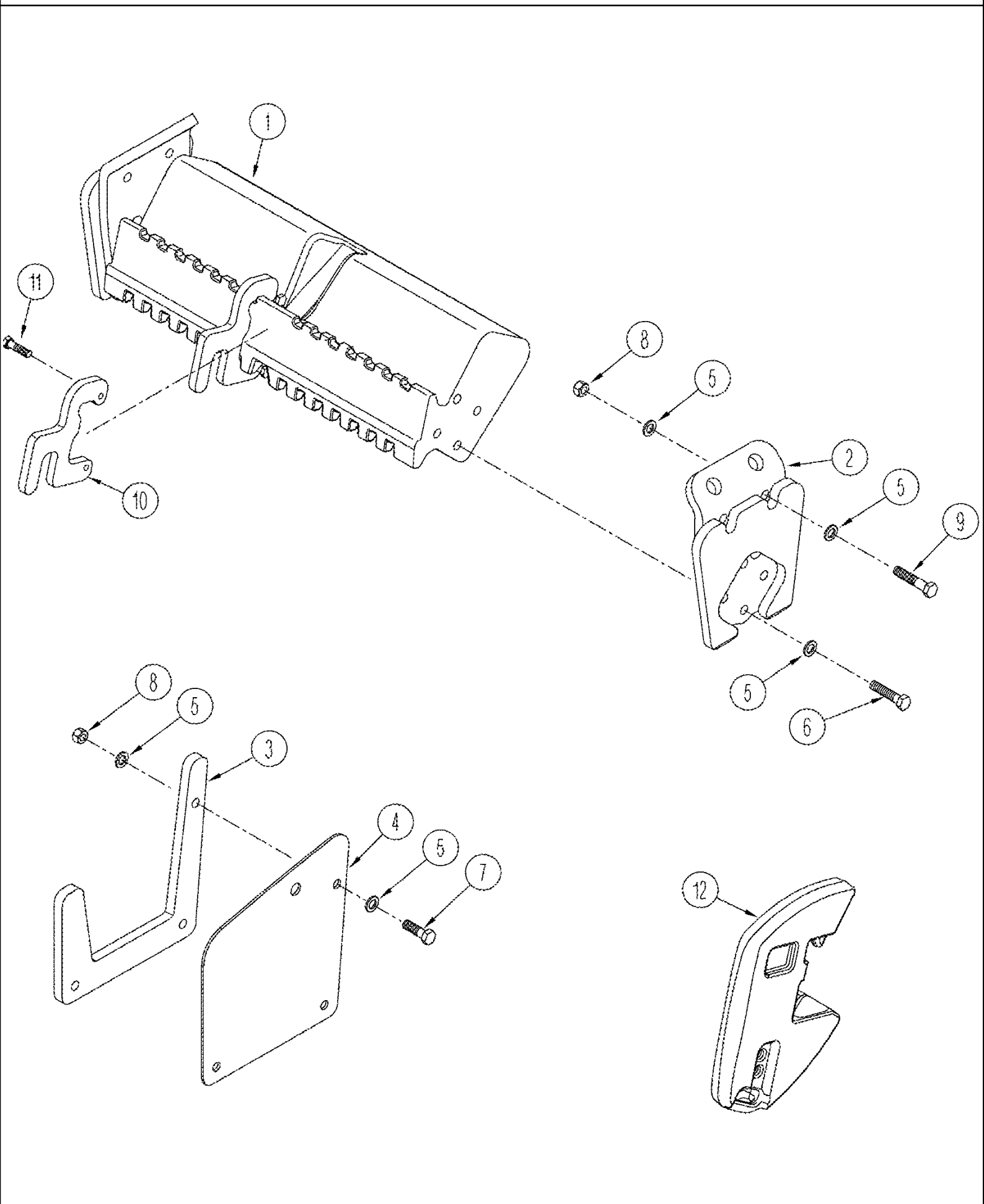


STX530 CASE IH 4WD TRACTOR (BTW Z6F100023 - Z6F105001)

09-58 WEIGHTS - FRONT FRAME

сылка	Номер детали	Кол-во	Описание
1	413310A1	1	HANGER, Weight, STEIGER 380 / 430, STX380 / 430
1	87433786	1	HANGER, Weight, STX480 / 530, STEIGER 480 / 530
2	896-11020	14	WASHER, M20 x 37.5 x 4, HT,
3	827-20130	10	BOLT, Hex, M20 x 130, 10.9,
4	413312A1	2	INSERT, Nine Weight
5	829-1410	2	NUT, M10, CI 10,
6	413313A1	2	BRACKET, Mounting
7	627-16320	4	BOLT, Hex, M16 x 320, 10.9, Full Thd,
8	87309541	1	PLATE, Weight, Right-Hand
9	627-20060	4	BOLT, Hex, M20 x 60, 10.9,
10	87309542	1	PLATE, Weight, Left-Hand
11	827-10060	2	BOLT, Hex, M10 x 60, 10.9,
12	229483A2	4	RETAINER, Plate
13	896-15016	4	WASHER, M17.5 x 34 x 5, HT,
14	405846A3	AR	WEIGHT, 45Kg (100 lb)
15	413316A1	2	GRAB RAIL,
16	896-11010	4	WASHER, M10 x 21.5 x 2.5, HT,

09-59 WEIGHTS - REAR FRAME

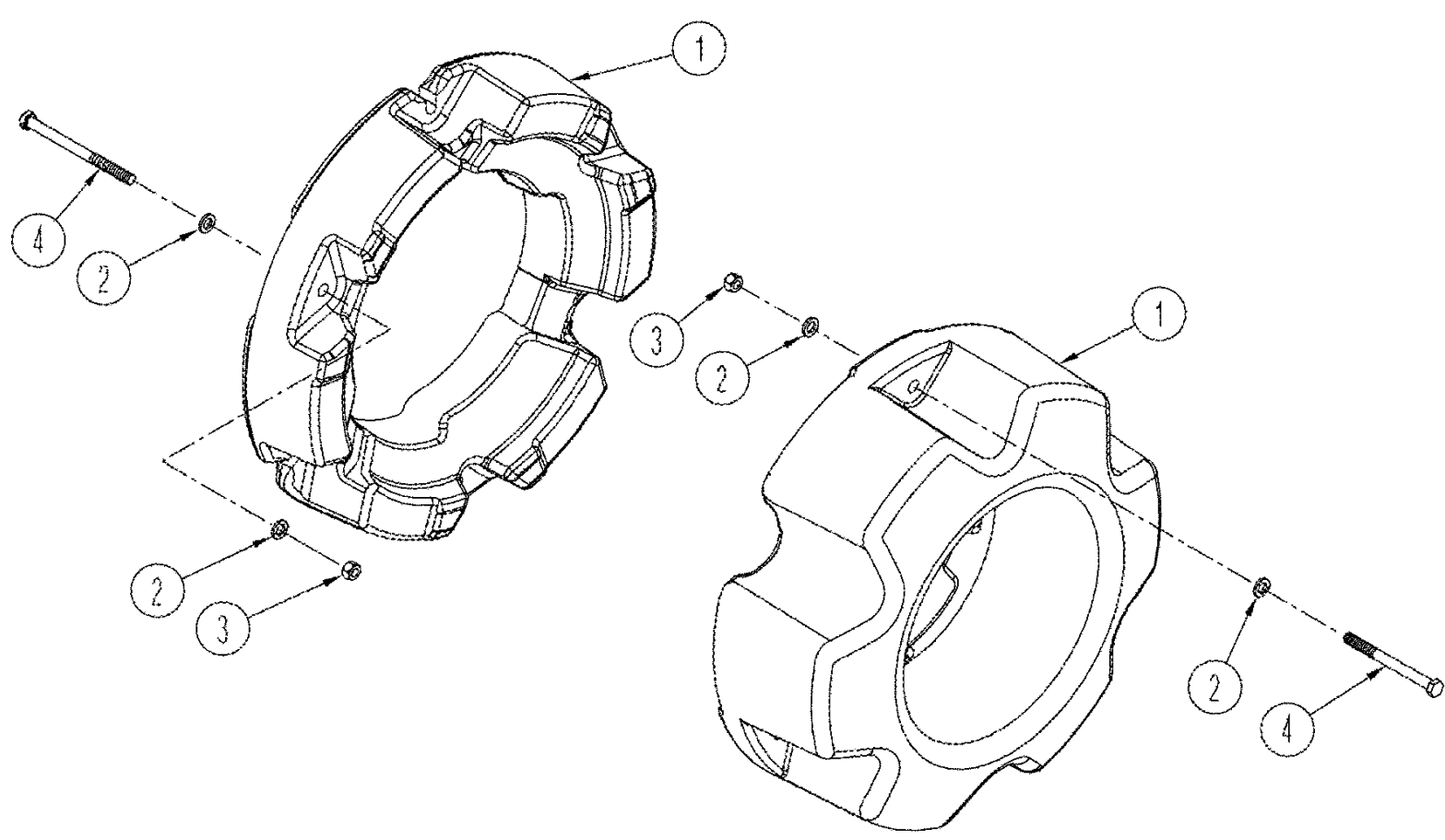


STX530 CASE IH 4WD TRACTOR (BTW Z6F100023 - Z6F105001)

09-59 WEIGHTS - REAR FRAME

сылка	Номер детали	Кол-во	Описание
1	413389A1	1	WEIGHT, Hanger, Order From Machinery Price List
2	413390A1	2	BRACKET, Support
3	413391A2	2	BRACKET, Support
4	413392A2	2	PLATE,
5	896-11020	24	WASHER, M20 x 37.5 x 4, HT,
6	827-20090	8	BOLT, Hex, M20 x 90, 10.9,
7	827-20070	6	BOLT, Hex, M20 x 70, 10.9,
8	829-1420	8	NUT, M20, CI 10,
9	827-20100	2	BOLT, Hex, M20 x 100, 10.9,
10	413393A1	2	PLATE, Lock
11	627-16040	4	BOLT, Hex, M16 x 40, 10.9,
12	405846A3	AR	WEIGHT, 45Kg (100 lb)

09-60 WEIGHTS - WHEEL

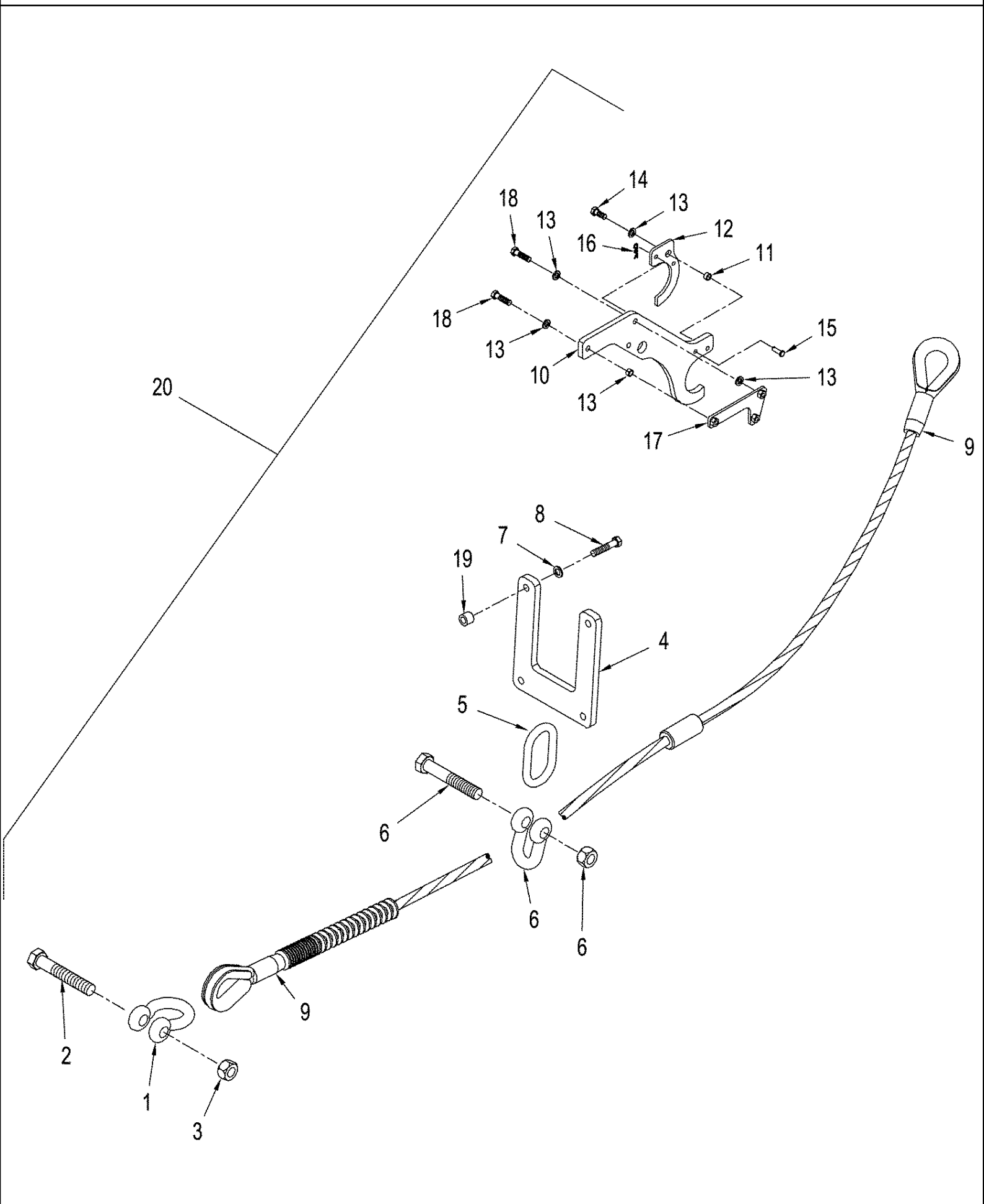


STX530 CASE IH 4WD TRACTOR (BTW Z6F100023 - Z6F105001)

09-60 WEIGHTS - WHEEL

сылка	Номер детали	Кол-во	Описание
1	405829A1	2	WEIGHT, 500 lb, Order From Machinery Price List
1	405830A1	2	WEIGHT, 1000 lb, Order From Machinery Price List
2	896-11016	12	WASHER, M17.5 x 30 x 4, HT,
3	832-10416	6	NUT, LOCK, M16 x 2, CI 8,
4	827-16200	6	BOLT, Hex, M16 x 200, 10.9, 500 lbs. Application
4	827-16120	6	BOLT, Hex, M16 x 120, 10.9, 1000 lbs. Application

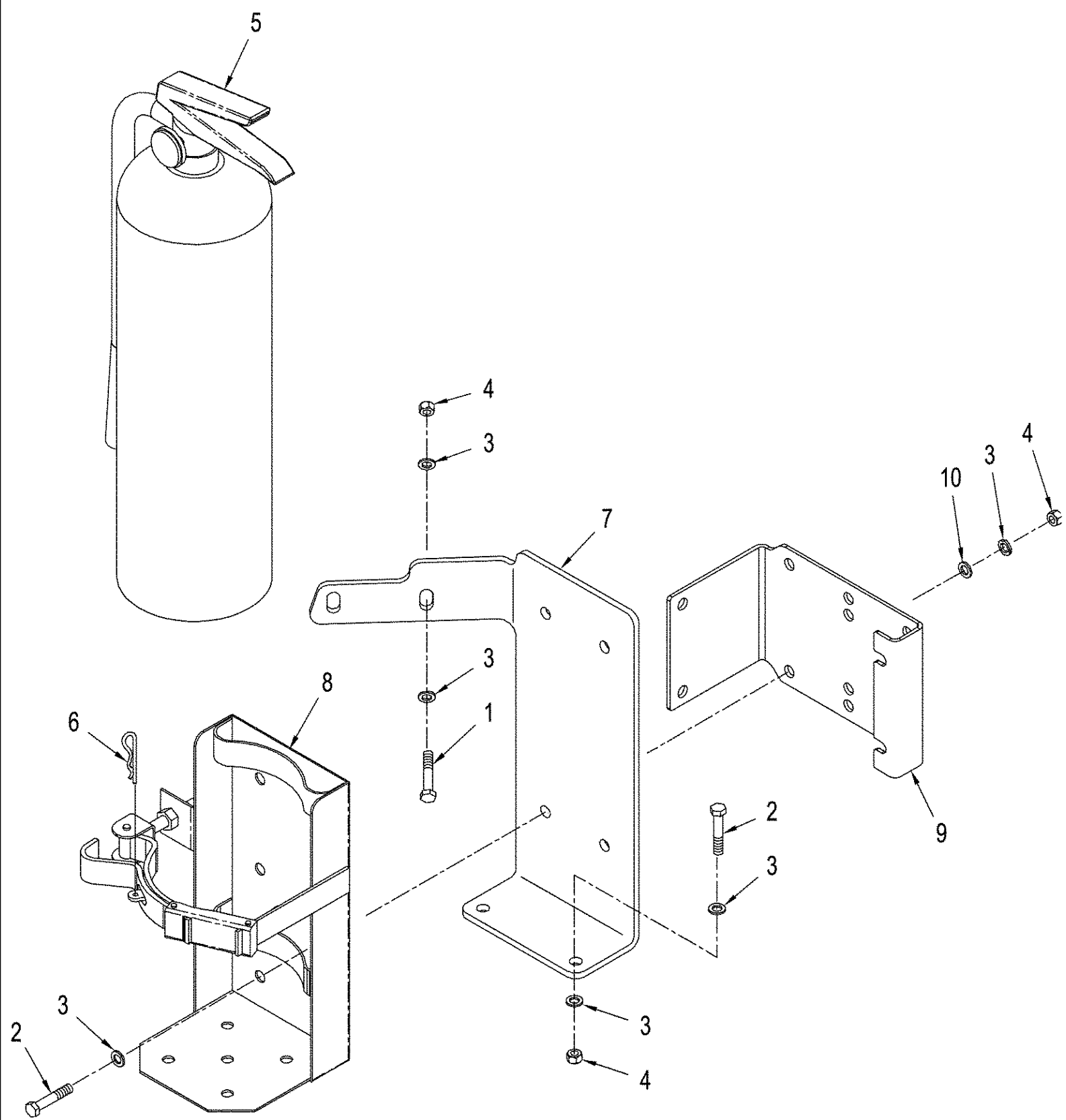
09-61 TOW CABLE



STX530 CASE IH 4WD TRACTOR (BTW Z6F100023 - Z6F105001)

09-61 TOW CABLE

сылка	Номер детали	Кол-во	Описание
1	369837A1	1	SHACKLE,
2	326-24160	1	BOLT, Hex, 1 1/2"-6 x 10", G8,
3	329-1024	1	NUT, 1 1/2"-6, G8,
4	408793A1	1	PLATE,
5	409753A1	1	LINK,
6	369838A1	1	SHACKLE,
7	896-11020	4	WASHER, M20 x 37.5 x 4, HT,
8	827-20100	4	BOLT, Hex, M20 x 100, 10.9,
9	379523A1	1	CABLE ASSY., Tow
10	408795A1	1	HOOK, Side
11	70-5967T1	1	SPACER,
12	408796A1	1	LATCH, Side Hook
13	896-15016	7	WASHER, M17.5 x 34 x 5, HT,
14	627-16040	1	BOLT, Hex, M16 x 40, 10.9,
15	728-1240	1	PIN, CLEVIS, M12 x 40,
16	435425A1	1	PIN, Hair
17	385380A1	1	PLATE ASSY.,
18	827-16070	3	BOLT, Hex, M16 x 70, 10.9,
19	409751A1	4	SPACER, , With 450 Series Axles
20	719546003	1	KIT, Tow Cable, Inc. 1 - 19



STX530 CASE IH 4WD TRACTOR (BTW Z6F100023 - Z6F105001)

09-62 FIRE EXTINGUISHER

сылка	Номер детали	Кол-во	Описание
	719972003	1	DIA KIT, TRACTOR, Fire Extinguisher, Inc. 1 - 9
1	827-10040	2	BOLT, Hex, M10 x 40, 10.9, Full Thd, , STX Wheel Tractor
3	895-15010	14	WASHER, M11 x 24 x 2,
4	832-10410	8	NUT, LOCK, M10 x 1.5, CI 8,
5	NSS	1	NOT SERVICED SEPARATELY, Extinguisher, Fire, 10 lb.
6	480523R1	1	SPLIT PIN/SAFETY PIN, Hair
7	87417139	1	BRACKET, SUPPORTING, Left-Hand Stair Mount, STX Wheel Tractor
8	87427312	1	BRACKET, SUPPORTING, Fender Mount
9	87420884	1	BRACKET, SUPPORTING, Toolbox Mount
10	237486A1	4	WASHER, Plastic, QUADTRAC Tractor
2	627-10030	6	BOLT, Hex, M10 x 30, 10.9, Full Thd,

1
STX380 **CASE IH**

2
CASE IH **STX380**

3
STX430 **CASE IH**

4
CASE IH **STX430**

5
STX480 **CASE IH**

6
CASE IH **STX480**

7
STX530 **CASE IH**

8
CASE IH **STX530**

9
HD

STX530 CASE IH 4WD TRACTOR (BTW Z6F100023 - Z6F105001)

09-63 DECALS, HOOD, BSN Z6F105001

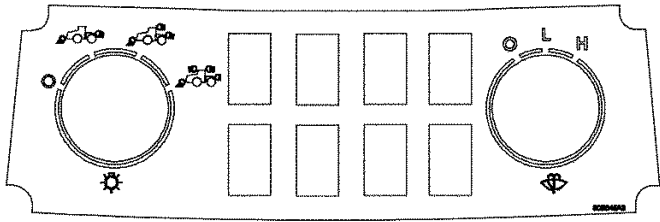
сылка	Номер детали	Кол-во	Описание
1	87371421	1	DECAL, Hood, STX380, Left-Hand
2	87371422	1	DECAL, Hood, STX380, Right-Hand
3	87371423	1	DECAL, Hood, STX430, Left-Hand
4	87371424	1	DECAL, Hood, STX430, Right-Hand
5	87371425	1	DECAL, Hood, STX480, Left-Hand
6	87371426	1	DECAL, Hood, STX480, Right-Hand
7	87371427	1	DECAL, Hood, STX530, Left-Hand
8	87371429	1	DECAL, Hood, STX530, Right-Hand
9	370981A1	2	DECAL, Heavy Duty

STX530 CASE IH 4WD TRACTOR (BTW Z6F100023 - Z6F105001)

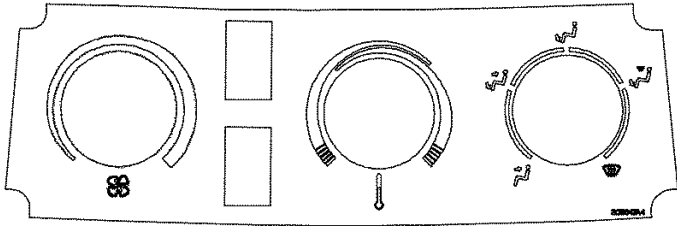
09-65 DECALS

сылка	Номер детали	Кол-во	Описание
1	325926A2	1	DECAL, Safety Warning
2	341953A2	2	DECAL, Articulation Warning
3	435668A1	1	DECAL, Fuel
4	327567A3	1	DECAL, Power Takeoff, Warning
5	387030A1	1	DECAL, Main Electronics
6	356005A1	1	PRODUCT GRAPHIC, STEIGER, BSN Z6F105001
7	385592A1	2	SPACER,
8	87376753	2	NUT,
9	87516902	1	DECAL, Fuse, With Power Shift Transmission
10	87371088	1	DECAL, Fuse, With Manual Shift Transmission
11	370984A1	1	DECAL, QUADTRAC logo, ASN Z6F105001
12	87564191	1	EMBLEM, CASE IH Logo, ASN Z6F105001
13	87564191	1	EMBLEM, Grille, CASE IH, BSN Z6F105001
14	323009A1	2	BUSHING, CASE IH Emblem
15	385592A1	2	SPACER, CASE IH Emblem

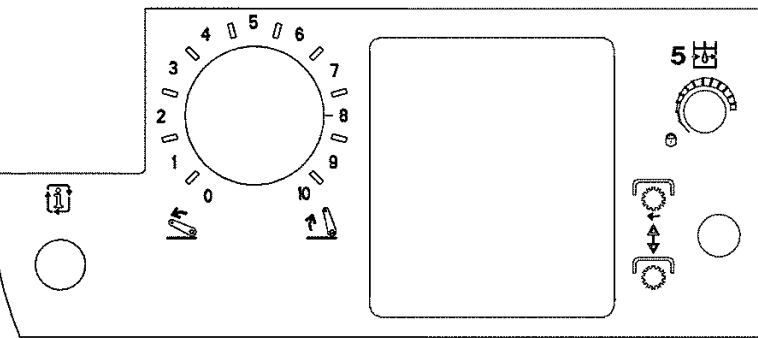
1



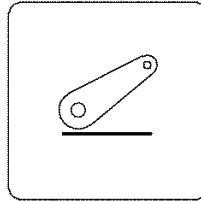
4



10



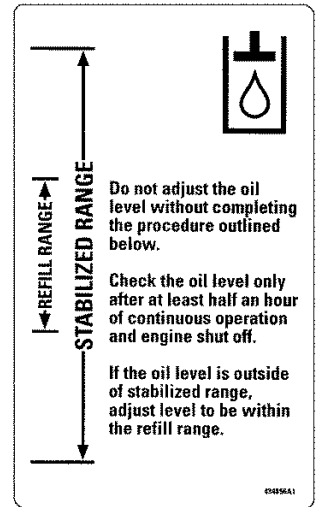
12



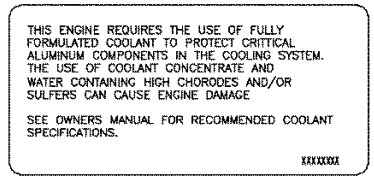
17



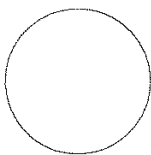
2



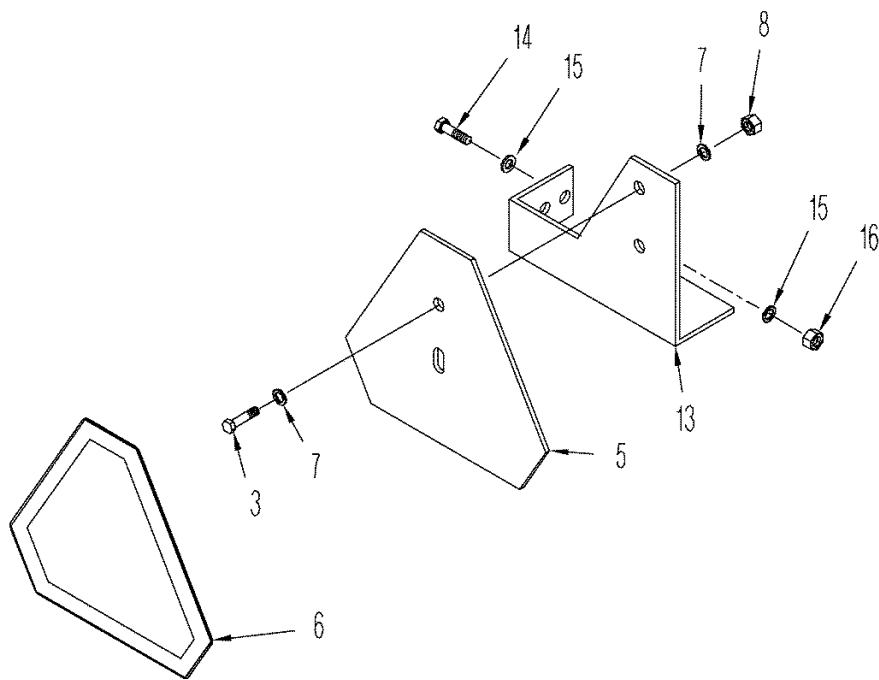
11



9



18



STX530 CASE IH 4WD TRACTOR (BTW Z6F100023 - Z6F105001)

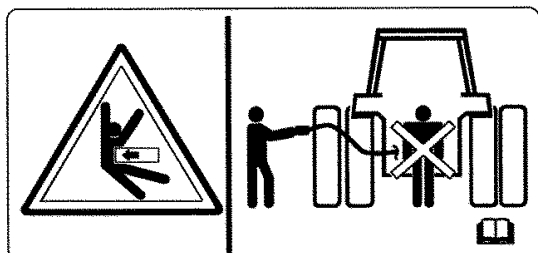
09-66 DECALS

сылка	Номер детали	Кол-во	Описание
1	431230A1	1	DECAL, Light Panel
2	434856A1	1	DECAL, Hydraulic Oil Level
3	426-412	2	BOLT, Hex, 1/4"-20 x 3/4", G8, Full Thd,
4	87450974	1	DECAL, Automatic Temperature Control, Luxury Cab, Deluxe Cab
	311860A1	1	EMBLEM, Slow Moving Vehicle (SMV), Inc. 5 & 6
5	NSS	1	NOT SERVICED SEPARATELY, Plate
6	311858A1	1	DECAL, SMV EMBLEM
7	495-11028	2	WASHER, 1/4", SAE,
8	425-104	2	NUT, 1/4"-20, G5,
9	446562A1	1	DECAL, Circular, Without Power Takeoff
10	87314384	1	DECAL, RH Armrest, Without Three Point Hitch
11	399083A1	1	DECAL, Coolant
12	393821A1	1	DECAL, Three Point Hitch
13	431187A1	1	BRACKET, Mounting, SMV
14	827-10040	2	BOLT, Hex, M10 x 40, 10.9, Full Thd,
15	895-11010	4	WASHER, M10 x 20 x 2,
16	832-10410	2	NUT, LOCK, M10 x 1.5, Cl 8,
17	329051A1	1	DECAL, Emergency Exit
18	87563598	1	DECAL, CASE IH Logo, Rear Roof, (200 x 48mm), ASN Z6F105001

1

MPH		GEAR	RANGE
LOW	HIGH		
2.5	2.6	1	A
3.3	3.6	2	A
4.1	4.4	1	B
4.6	4.9	3	A
5.6	6.0	2	B
6.5	7.0	1	C
7.6	8.2	3	B
8.8	9.5	2	C
10.3	11.0	1	D
12.1	13.0	3	C
13.9	14.9	2	D
19.0	20.4	3	D
3.5	3.8	R	A
5.9	6.3	R	B
9.3	10.0	R	C

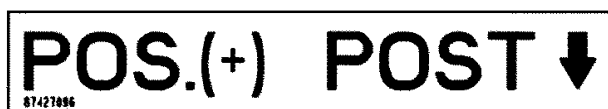
2



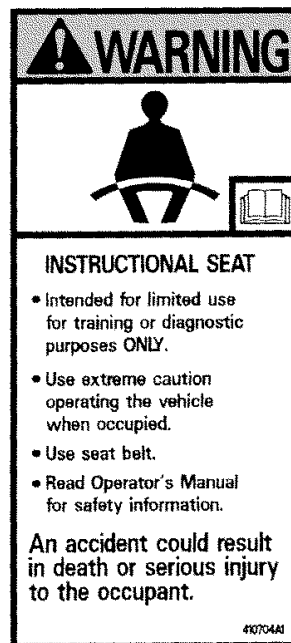
4



5



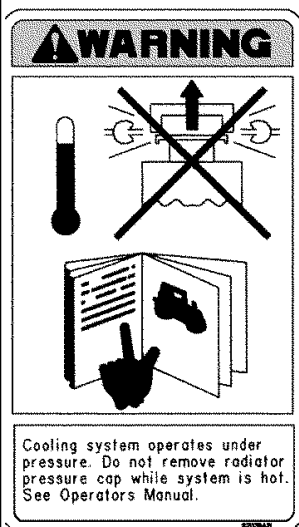
3



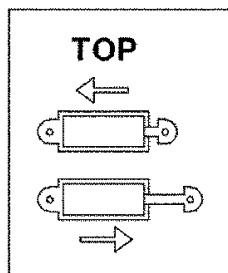
6



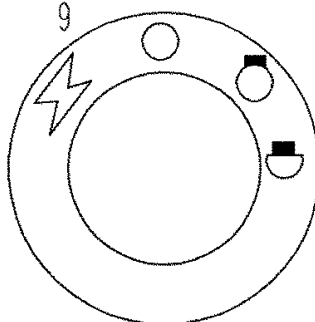
7



8



9



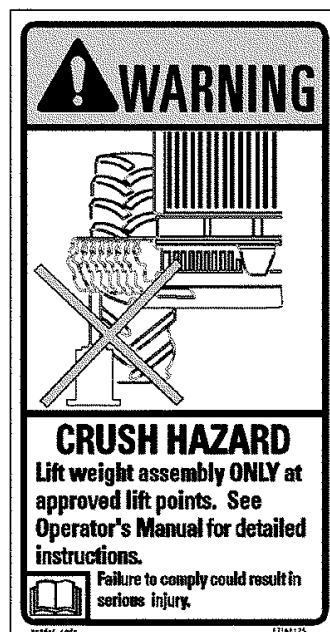
11



12



10



STX530 CASE IH 4WD TRACTOR (BTW Z6F100023 - Z6F105001)

09-67 DECALS

сылка	Номер детали	Кол-во	Описание
1	411564A1	1	DECAL, Shift, 24 Speed, With Manual Shift Transmission
2	87423866	1	DECAL, Remote Hitch Safety
3	410704A1	1	DECAL, Instructional Seat
4	87427097	1	DECAL, DANGER, Battery
5	87427096	1	DECAL, Pos. (+) Post
6	87427317	1	DECAL, Neg. (-) Post
7	82029421	1	DECAL, WARNING, Radiator
8	389794A1	4	DECAL, Hydraulic Coupler
9	353849A1	1	DECAL, Ignition Switch
10	87368125	1	DECAL, WARNING, Front Weights
11	A187743	1	DECAL, WARNING, WARNING, Ground Speed Radar
12	8603092	1	DECAL, WARNING, WARNING, Do Not Use Ether, STEIGER 380 / 430, STX380 / 430

